

Made with love by  
≧ adaptdefy®

# LapStacker® FLEX

Installation Guide

Congratulations and thank you for choosing to install a LapStacker on your wheelchair.

Please read this installation guide carefully to ensure your LapStacker is installed and used correctly and safely.

<b>Contents</b>	<b>Page</b>
<b>Warnings</b> .....	<b>2</b>
<b>Components</b> .....	<b>4</b>
<b>Optimal Location</b> .....	<b>6</b>
<b>Install Orientation</b> .....	<b>7</b>
<b>Check Clearance</b> .....	<b>9</b>
<b>Buckle Holder Selection</b> .....	<b>11</b>
<b>LapStacker Horizontal Installation</b> .....	<b>14</b>
<b>LapStacker Vertical Installation</b> .....	<b>24</b>

By using your LapStacker you agree to the terms of our Warranty and Product Disclaimer which can be read online at <https://adaptdefy.com/pages/lapstacker-warranty-disclaimer>

### Warnings - General

- LapStacker is not a seatbelt, safety device, or medical device.
- LapStacker is designed as an aid only.
- Do not use your LapStacker to secure people or animals.
- Carefully place and monitor items as they can still move, even with your LapStacker securing them.
- Do not exceed any specific wheelchair manufacturer's guidelines for loading or usage of attachments.
- In no event shall our company be liable for any direct, indirect, punitive, incidental, special, consequential damages to property or life, whatsoever arising out of or connected with the use or misuse of our products.

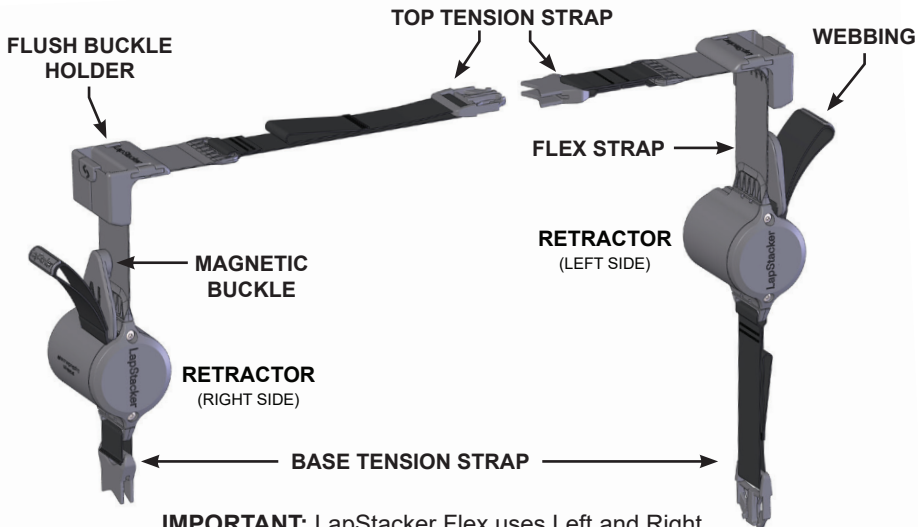
### Warnings - Injury

- Do not use your LapStacker to secure items with the potential to cause an injury. These may include sharp, hot or heavy items.
- Over tightening the LapStacker straps when securing items may cause a loss of circulation, a pressure injury or damage to any item/s being carried.

- Avoid contact with your newly installed LapStacker while transferring in and out of the wheelchair. Failure to do so may result in injury or damage.
- Do not use your LapStacker for extensive periods of time. This may result in loss of circulation or pressure injury.
- Do not stack items too high as this may reduce visibility and lead to a collision that causes injury.

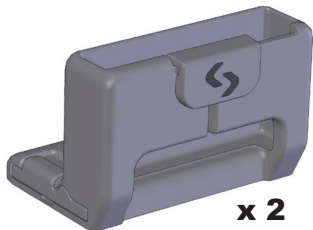
### Warnings - Installation

- If you are installing your LapStacker and moving existing components around, such as arm rests or leg restraints, please ensure they are reinstalled and secured correctly. Failure to do so may result in their failure and may cause injury.
- The LapStacker Retractor has not been designed for submersion in water. Doing so will likely result in rusting of the internal components and may void the Warranty.
- Wipe components clean with a damp cloth and avoid the use of chemical detergents, which may damage the plastic surfaces.
- The straps may be cleaned using water and a damp cloth. We suggest removing the retractors, fully extending the straps and letting them dry before retracting the straps back into their housing again.

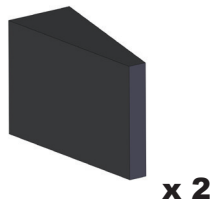


**IMPORTANT:** LapStacker Flex uses Left and Right Retractors. Please ensure the LapStacker logo faces forwards when installed.

TOP BUCKLE HOLDER



FOAM WEDGE



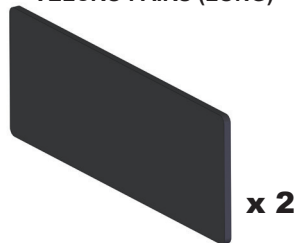
ALCOHOL WIPE



VELCRO PAIRS (SHORT)



VELCRO PAIRS (LONG)



## 1. FIND OPTIMAL LOCATION

- LapStacker is best installed inline with the centre of where you will carry items, but will still work if forward or back of this.
- Locate this central point on your wheelchairs top tube.



### RIGID CHAIRS

Single tube frames

HORIZONTAL INSTALL



Dual, non parallel tube frames

HORIZONTAL INSTALL





### FOLDING CHAIRS

Single tube frames

HORIZONTAL INSTALL



Parallel dual tube frames

VERTICAL INSTALL



### HOW IT WORKS

The horizontal install works by fastening LapStacker across the chair frame. If you have a raising seat base, the top tension strap must pass under this.

### TEST FIT:

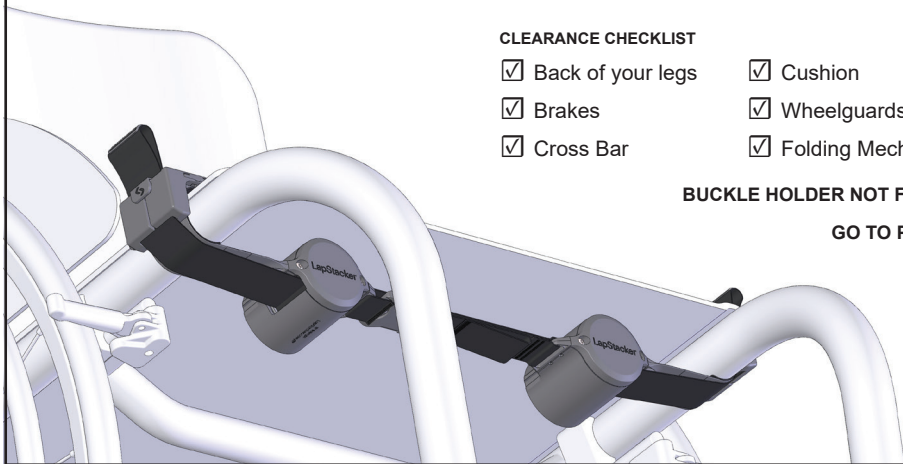
Check that your wheelchair components will not clash with LapStacker. It is possible to adjust some wheelchair components if clearance is an issue.

### CLEARANCE CHECKLIST

- |   |  |
|---|--|
| <input checked="" type="checkbox"/> Back of your legs | <input checked="" type="checkbox"/> Cushion            |
| <input checked="" type="checkbox"/> Brakes            | <input checked="" type="checkbox"/> Wheelguards        |
| <input checked="" type="checkbox"/> Cross Bar         | <input checked="" type="checkbox"/> Folding Mechanisms |

**BUCKLE HOLDER NOT FITTING?**

**GO TO PAGE 11.**

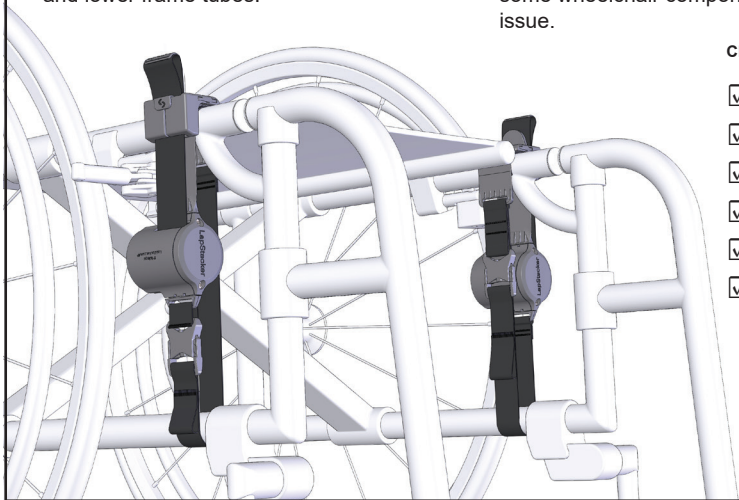


### HOW IT WORKS

The vertical install works by fastening each half of LapStacker around the top and lower frame tubes.

### TEST FIT:

Check that your wheelchair components will not clash with LapStacker. It is possible to adjust some wheelchair components if clearance is an issue.



### CLEARANCE CHECKLIST

- Back of your legs
- Brakes
- Seat Frame
- Folding Mechanisms
- Cushion
- Wheelguards

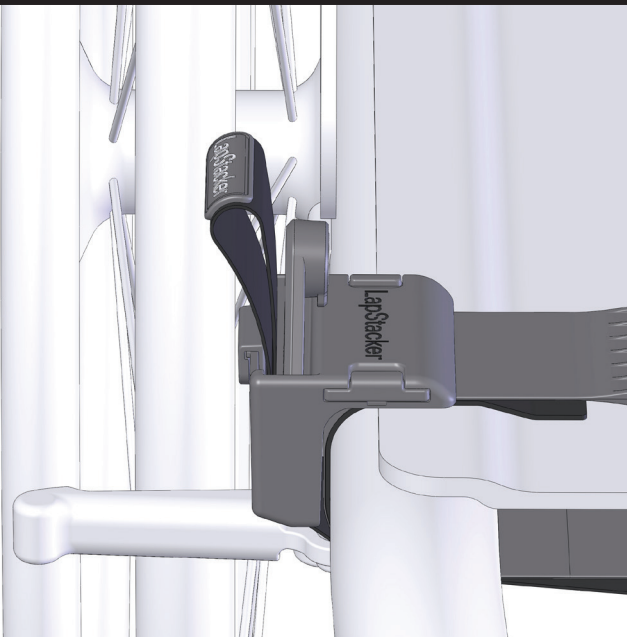
**BUCKLE HOLDER  
NOT FITTING?**

**GO TO PAGE 11.**

**FLUSH BUCKLE HOLDER**

The Flush Buckle Holder comes installed as standard with your LapStacker and will suit 80% of installs.

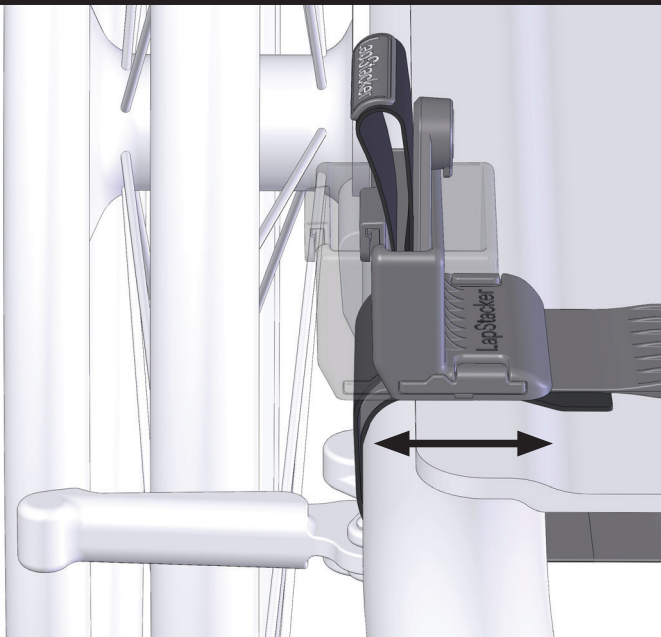
If clearance is an issue, you may consider using the Top Buckle Holder.



### TOP BUCKLE HOLDER

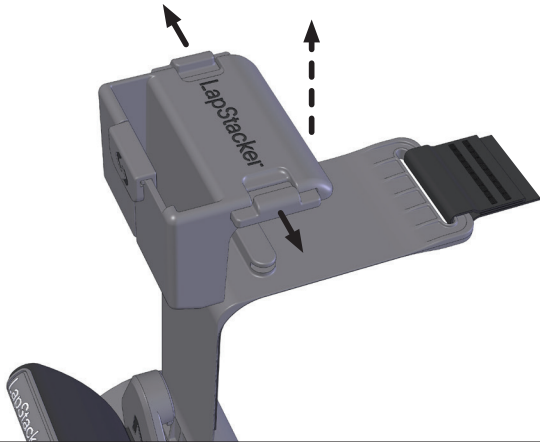
The Top Buckle Holder sits above the frame top tube and has three adjustment positions to shift the keeper left to right.

The adjustment can be used to create clearance from your wheel guards, brakes, seat frame or cushion etc.

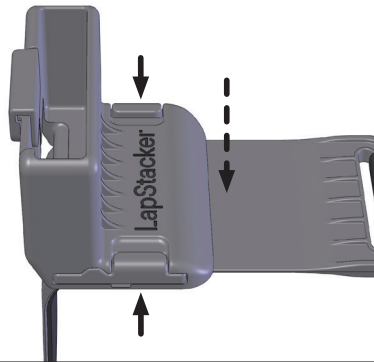


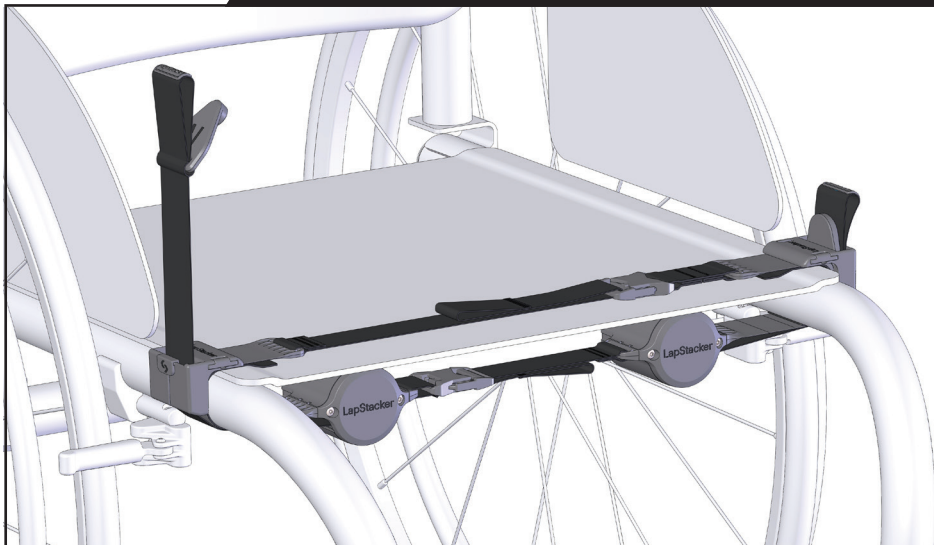
**1. REMOVE FLUSH BUCKLE HOLDER**

Unlock the Flush Buckle Holder by pulling both locking tabs out.

**2. INSTALL TOP BUCKLE HOLDER**

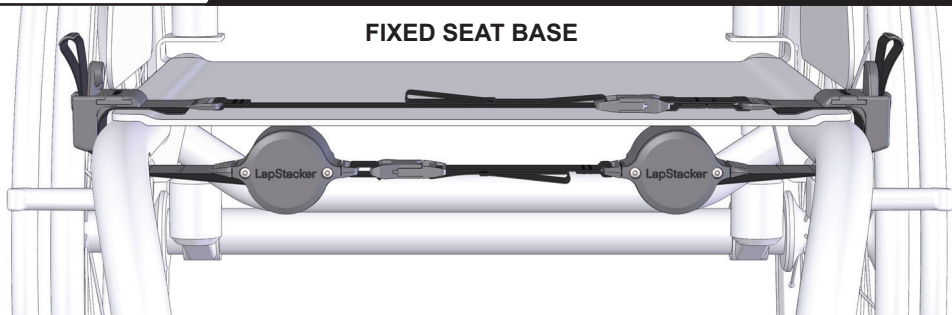
With both locking tabs open, place the Top Buckle Holder onto the Flex Strap in the desired position. Lock in place by pressing in both locking tabs.



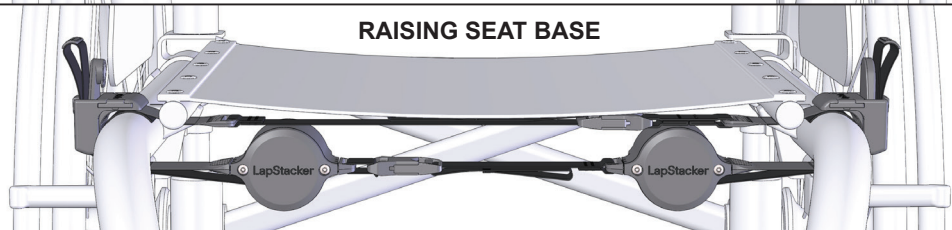


**The wheelchairs depicted are for illustration purposes only. These instructions will work for whatever chair type you own.**

**FIXED SEAT BASE**



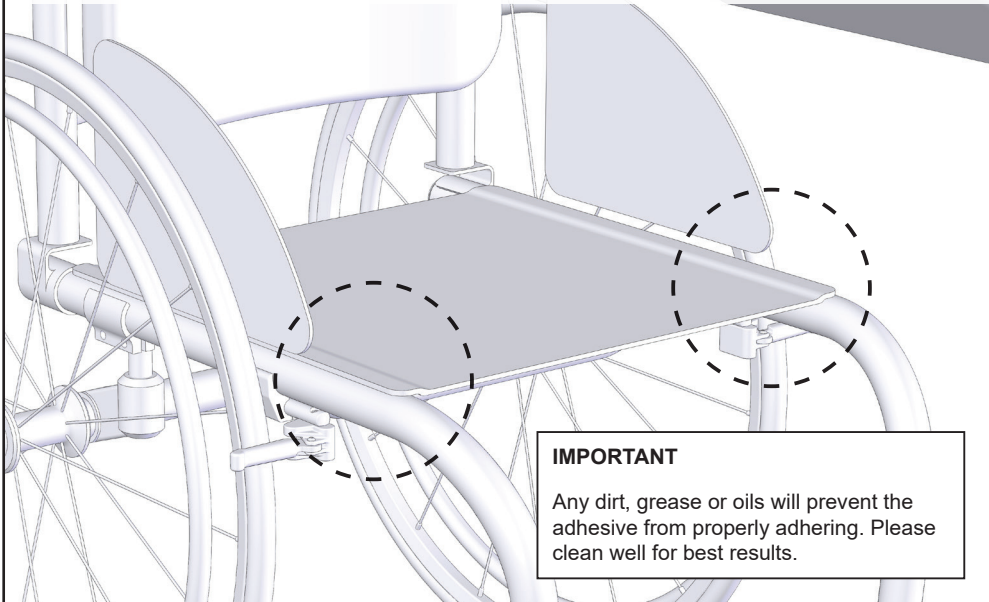
**RAISING SEAT BASE**



**If you have a raising seat base, the LapStacker must pass under the seat base. Adapt install steps to suit.**



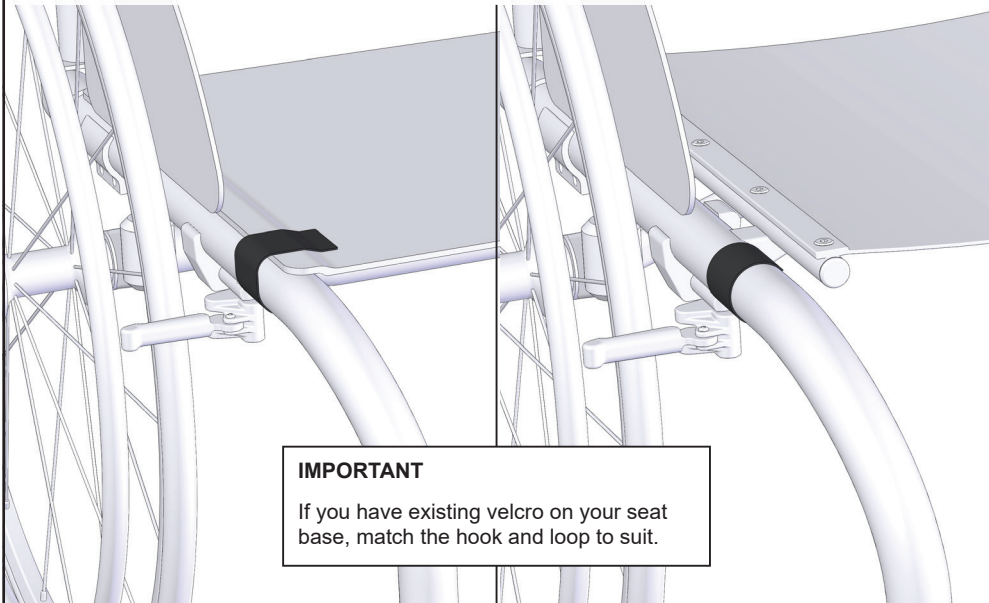
- 1. Clean the frame and seat base where LapStacker will be located using the alcohol wipes provided.**



**IMPORTANT**

Any dirt, grease or oils will prevent the adhesive from properly adhering. Please clean well for best results.

- 2.** Adhere velcro to the frame and seat base where the Flex Straps will make contact. Repeat on each side.

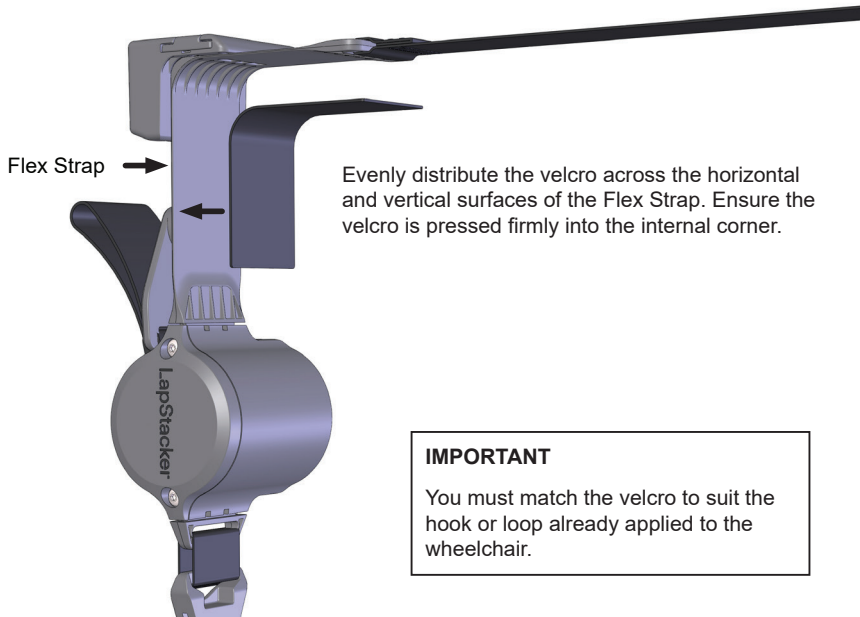


**IMPORTANT**

If you have existing velcro on your seat base, match the hook and loop to suit.

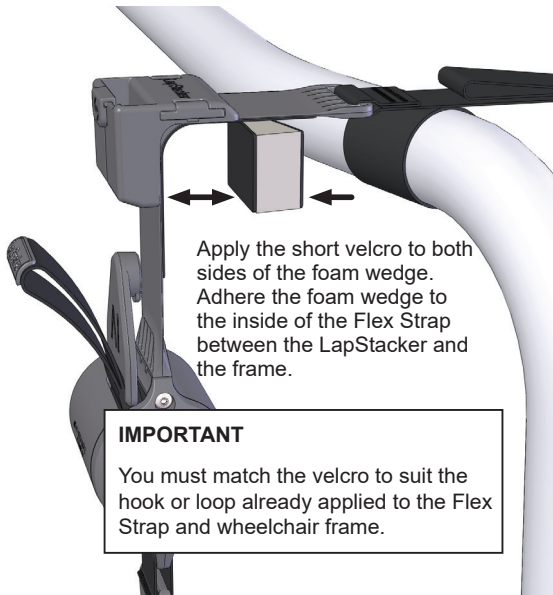
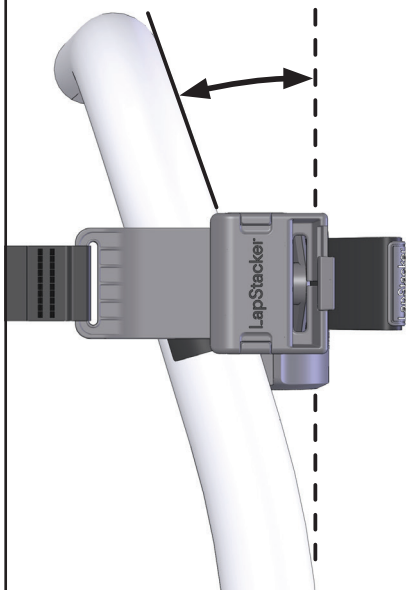
**3.**

### Adhere velcro to both LapStacker Flex Straps.



**3a.**

If the frame is not parallel at the optimal position, use the foam wedges to correct the angle of the Buckle Holders.

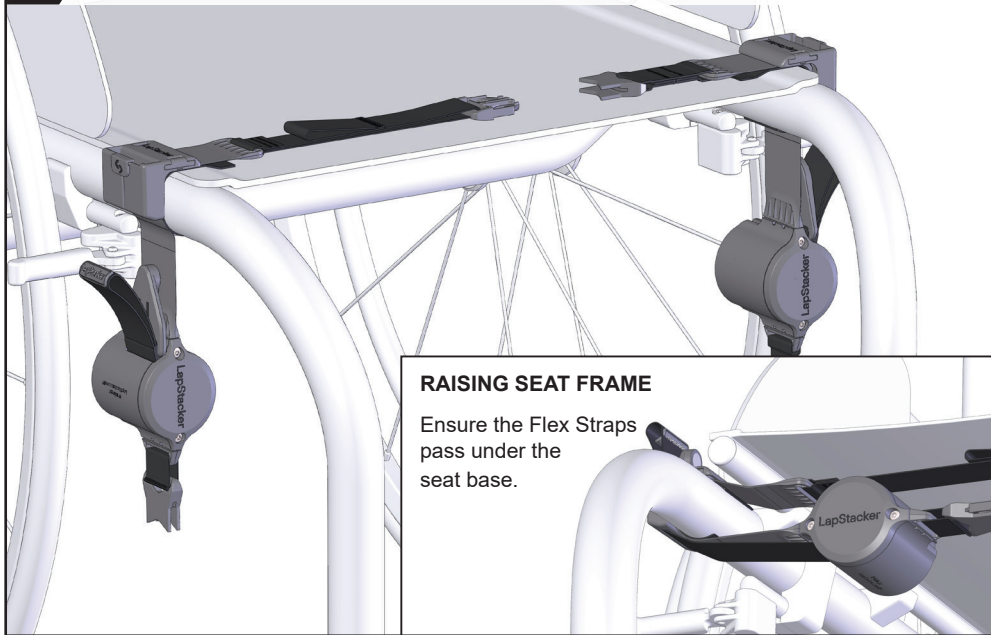


Apply the short velcro to both sides of the foam wedge. Adhere the foam wedge to the inside of the Flex Strap between the LapStacker and the frame.

**IMPORTANT**

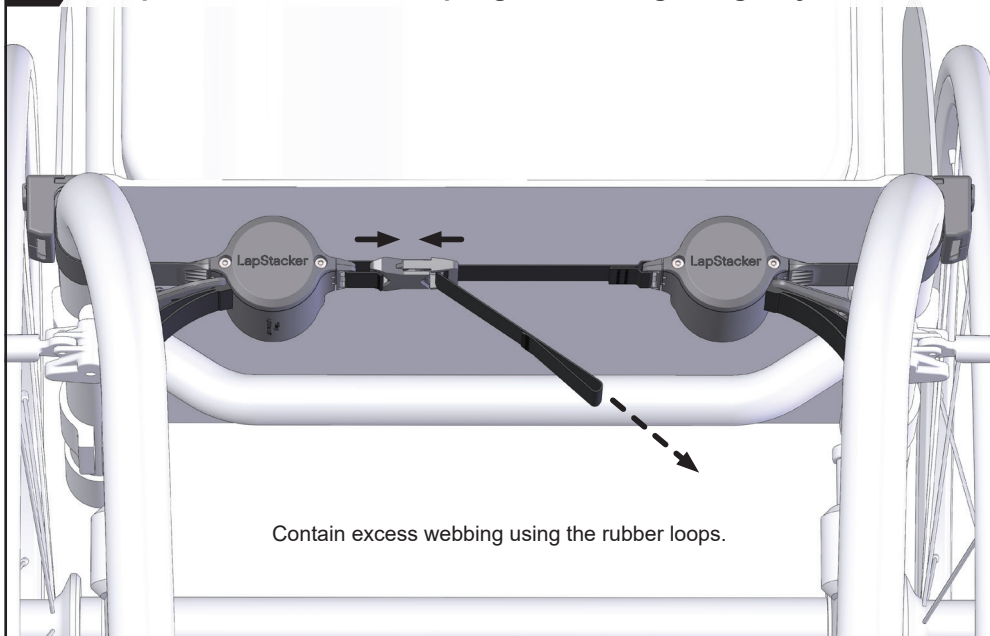
You must match the velcro to suit the hook or loop already applied to the Flex Strap and wheelchair frame.

#### 4. Attach LapStacker assembly to the frame.



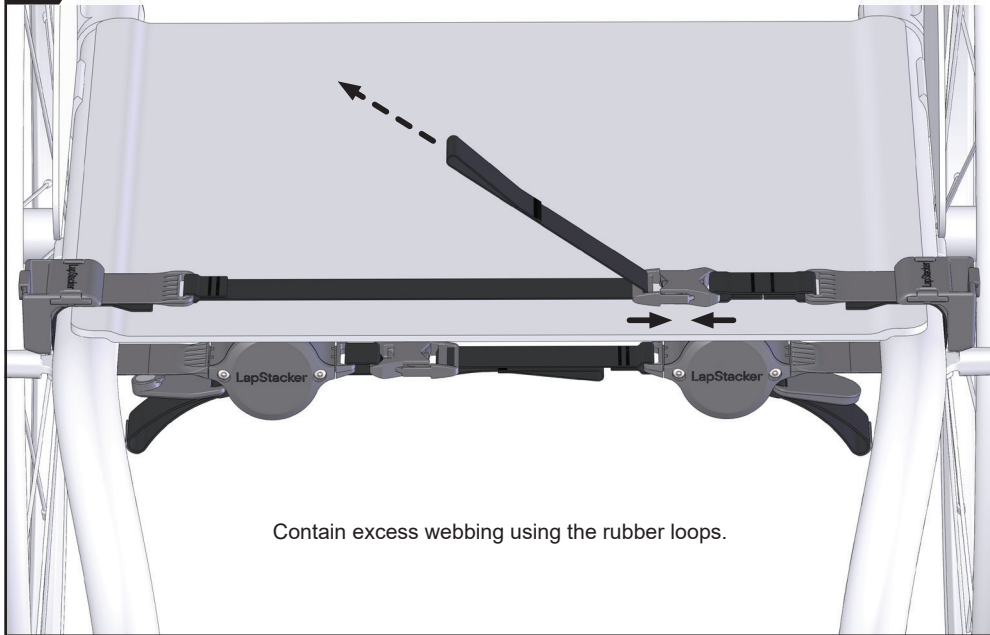
**5.**

**Clip the Base Tension Strap together and tighten gently.**



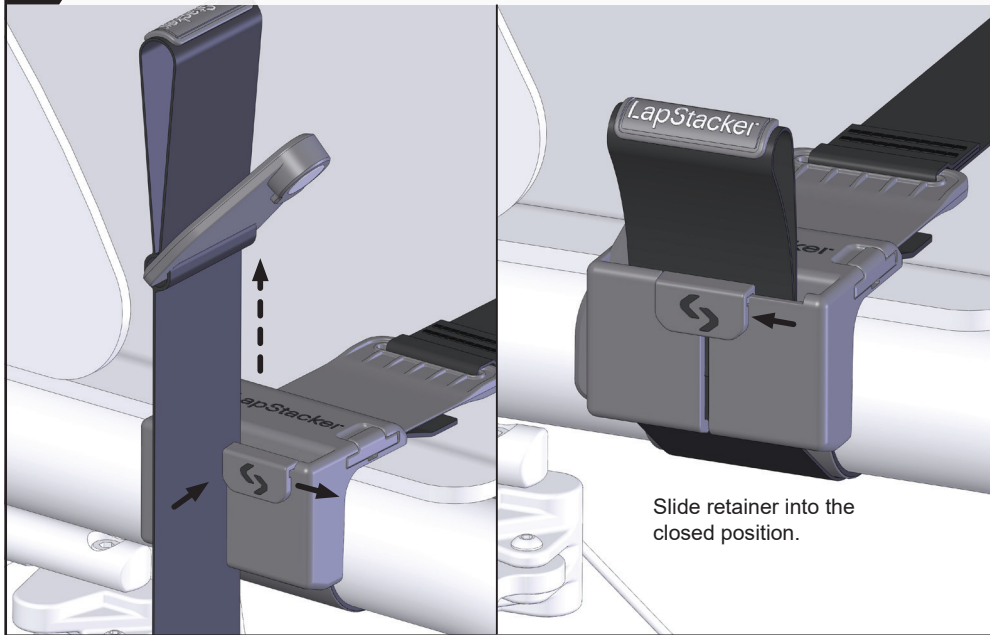
Contain excess webbing using the rubber loops.

**6.** Clip the Top Tension Strap together and tighten gently.

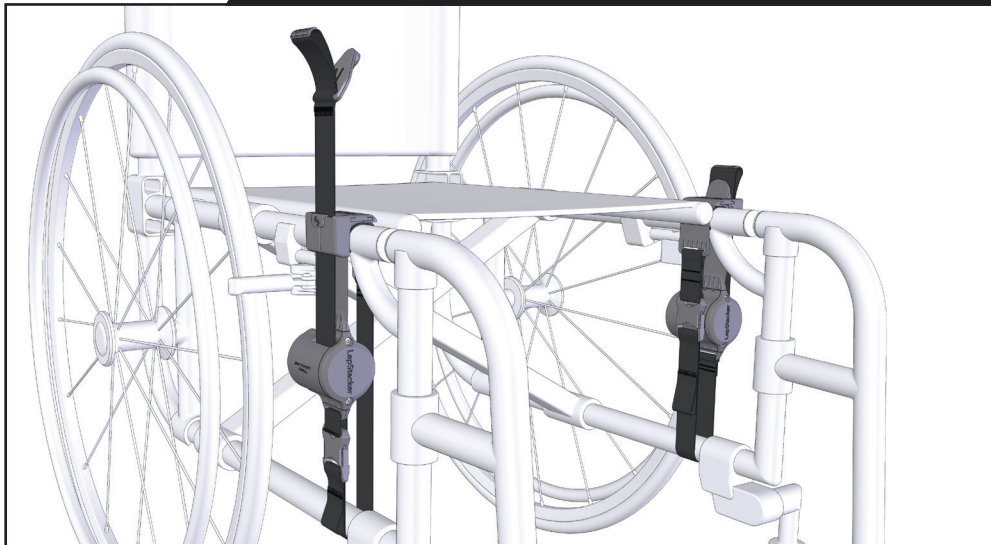


Contain excess webbing using the rubber loops.

**7.** Pass the webbing through the Buckle Holder. Repeat for each side.

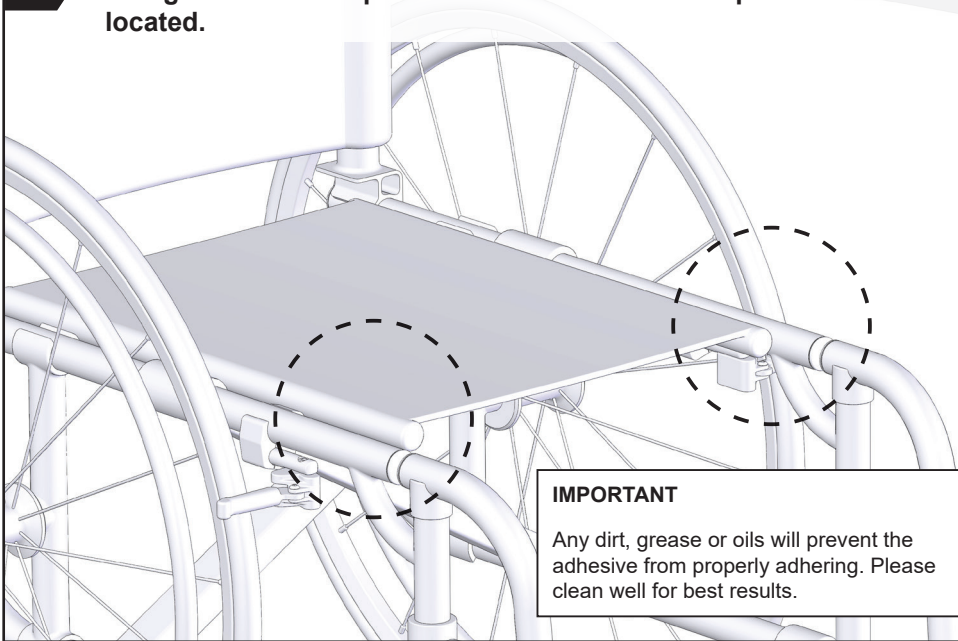






**The wheelchair depicted is for illustration purposes only. These instructions will work for whatever chair type you own.**

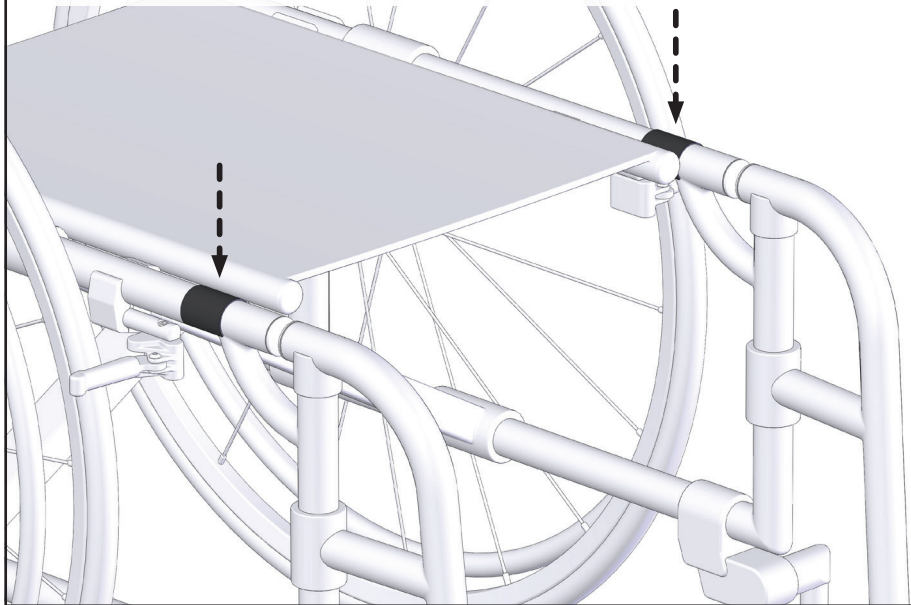
- 1. Using the alcohol wipes clean the frame where LapStacker will be located.**



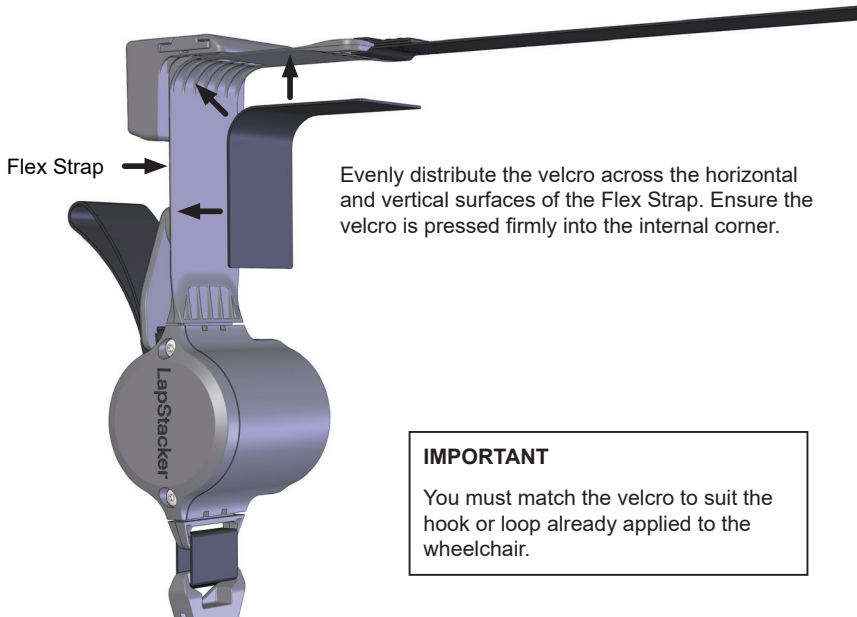
**IMPORTANT**

Any dirt, grease or oils will prevent the adhesive from properly adhering. Please clean well for best results.

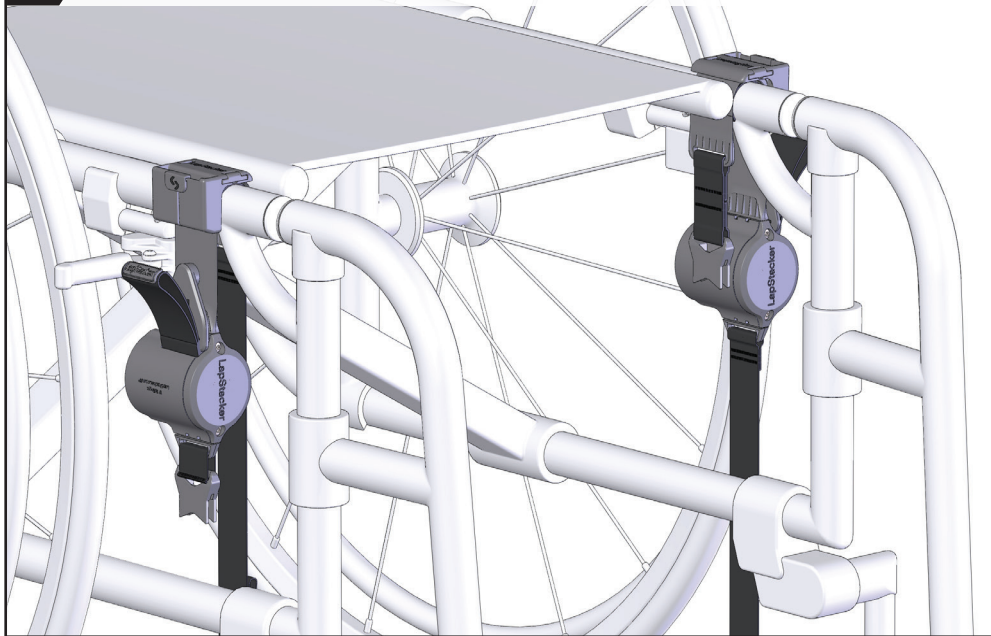
- 2.** Adhere velcro to the frame on both sides where the Flex Straps will make contact.



### 3. Adhere velcro to both LapStacker Flex Straps.

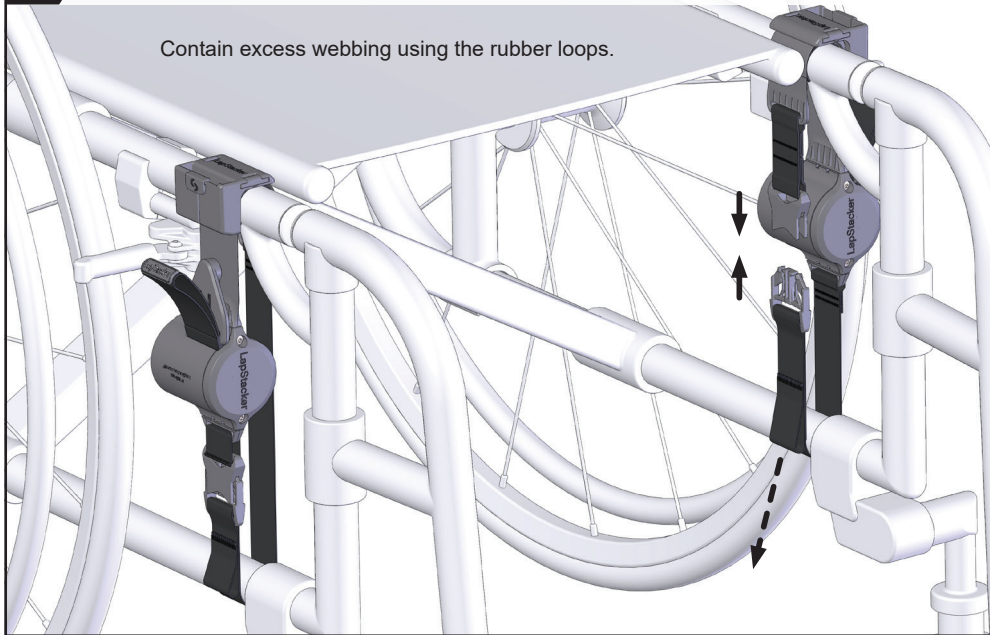


**4. Attach LapStacker assembly to the frame.**

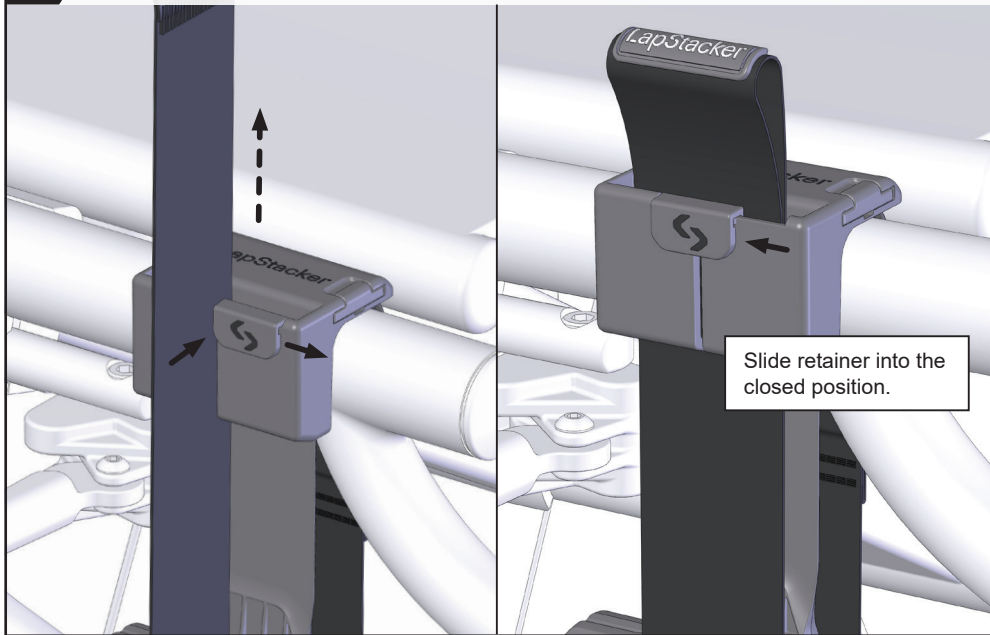


**5. Pass Tension Strap around the lower tube, join buckles and tighten.**

Contain excess webbing using the rubber loops.



**6.** Pass the webbing through the Buckle Holder. Repeat for each side.



≥ adaptdefy®

adaptdefy.com  
info@adaptdefy.com



@adaptdefy



@adaptdefy



@adaptdefy



@adaptdefy

Scan for installation and  
troubleshooting tips.

