

Pixi Stroller

Spare Parts



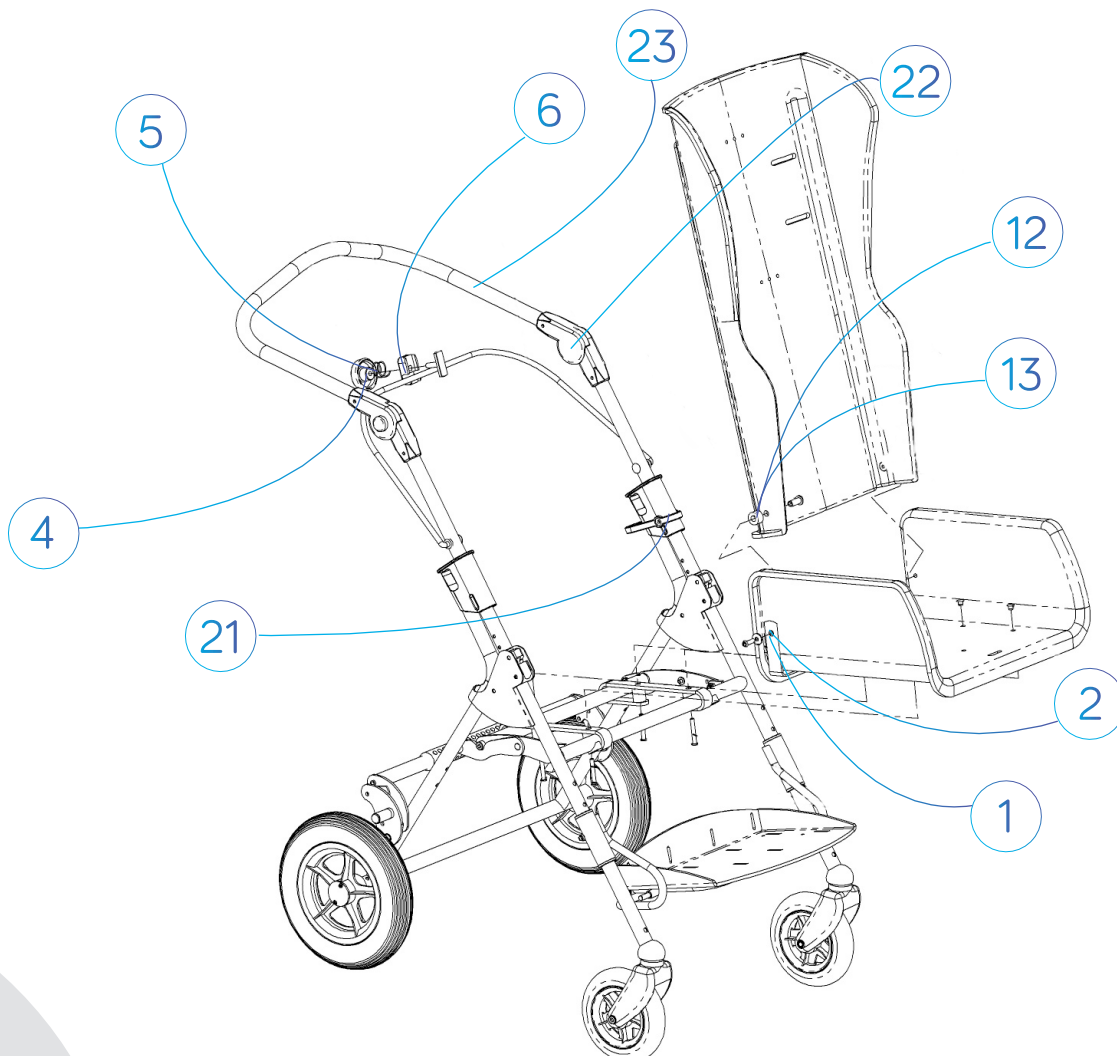
SPARE
PARTS
GUIDE

medifab®

MEDIFAB.COM

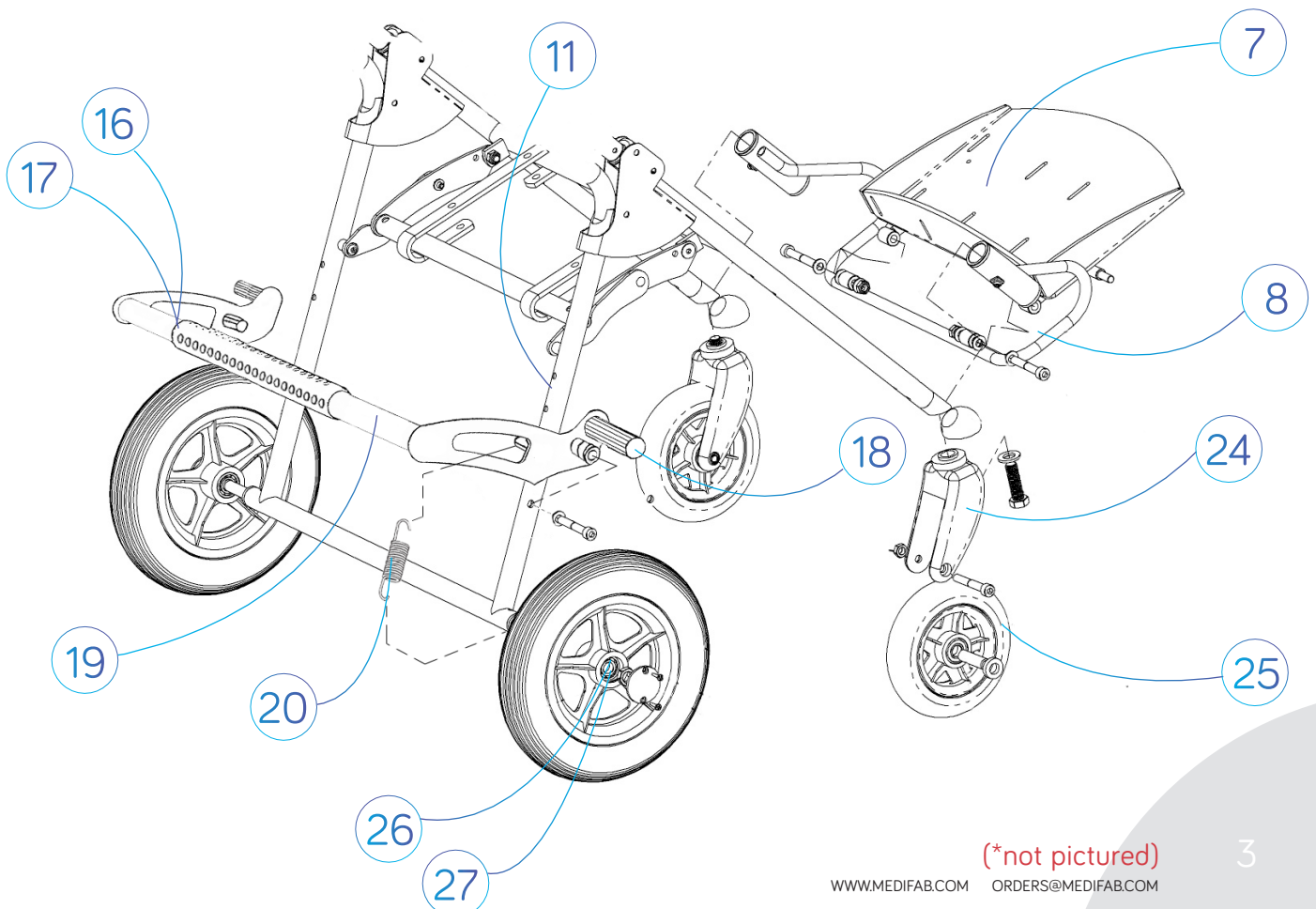
Stroller Plan

#	ITEM CODE	DESCRIPTION	PER
1	2560-0281-199	Pixi S1 Seat Depth 5cm Extender Bracket	
2	2560-0282-199	Pixi S2 Seat Depth 5cm Extender Bracket	
4	2560-2122-100	Pixi B/Rest-Recline Release Knob	
5	2560-2123-100	Pixi B/Rest-Recline Release Spring	
6	2560-2124-100	Pixi B/Rest-Recline Release Clamp Block	
12	2560-9133-000	Plastic Spacer, Pixi Backrest to Seat	EA
13	2560-9134-000	M6 Washer	EA
21	2560-9142-100	Pixi Buggy Safety Catch	
22	2560-9150-010	Pixi Handle Bar Adjuster Knuckle	EA
23	2560-9152-000	Pixi Size 2 Upper Handlebar Assembly	



Base Plan

#	ITEM CODE	DESCRIPTION	PER
7	2560-5052-013	Pixi Size 2 Footrest Plate Only	
8	2560-5152-000	Pixi Size 2 Footrest Assembly Complete	
11	2560-8501-021	Pixi Tie Down Webbing Guides	SET
16	2560-8451-000	Pixi S1 Brake Pedal	
17	2560-8452-000	Pixi S2 Brake Pedal	
18	2560-8458-000	Pixi Brake Rubber - Black	EA
19	2560-8460-000	Pixi S1 Brake Pedal Assembly Complete	
20	2560-8461-000	Pixi Brake Spring	EA
24	2560-9551-000	Pixi Black Plastic Fork	EA
25	2560-9552-000	Pixi Front Castor Wheel	EA
26	2560-9553-000	Pixi S1 Rear Wheel	EA
27	2560-9554-000	Pixi S2 Rear Wheel	EA
	2560-8821-090	S1 Replacement Upholstery*	
	2560-8822-090	S2 Replacement Upholstery*	



(*not pictured)

medifab®

Manufactured by Medifab Ltd

26 Pardoe Street
East Devonport, TAS 7310
Australia

1300 543 343

solutions@medifab.com

www.spexseating.com



DISTRIBUTED BY: