



VELOCE
ORDER FORM - AUSTRALIA (UNPRICED)

1- Purchasing information

P.O. number:* _____ Date: _____

Company Name:* _____

Purchasing contact:* _____

Phone:* _____

Email:* _____

Contact preference:* Phone Email

Marked for: _____

3- Shipping information

Ship to:* _____

Name: _____

Address: _____

City: _____ State: _____

Zip Code: _____

Phone: _____

2- ATP/Clinician information

ATP/Clinician:* _____

Phone:* _____

Email:* _____

Contact preference:* Phone Email * Required

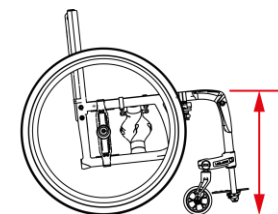
- MA083 English Manual (STD) MA084 German Manual MA085 Italian Manual MA086 Dutch Manual MA087 Spanish Manual MA088 French Manual MA089 Portuguese Manual

MODEL		AUD (Taxes not included)						
WC20	<input type="checkbox"/>	Ultralight VELOCE Wheelchair (120 kg - 265 lb weight limit) BASE FRAME						
WC09	<input type="checkbox"/>	HD Heavy Duty package (159 kg - 350 lb weight capacity) Upcharge						
WC10	<input type="checkbox"/>	E-Motion adaptor Kit (2 adaptors) - Only necessary with 6° camber Upcharge						
Frame								
SEAT WIDTH ³ - cm (inches)								
SW	<input type="checkbox"/>	35.56 (14")	38.10 (15")	40.64 (16")	43.18 (17")	45.72 (18")	48.26 (19")	NC
	<input type="checkbox"/>	50.80 (20")						Upcharge
SEAT DEPTH - cm (inches)								
SD	<input type="checkbox"/>	35.56 (14")	38.10 (15")	40.64 (16")	43.18 (17")	45.72 (18")	48.26 (19")	NC
	<input type="checkbox"/>	50.80 (20")						Upcharge
FRAME LENGTH (Seat sling depth plus distance from seat sling to front of frame) ⁴								
SP01	<input type="checkbox"/>	Standard frame length configuration ⁵						STD
SP02	<input type="checkbox"/>	Frame length 2.54 cm (1") longer than standard configuration						NC
SP03	<input type="checkbox"/>	Frame length 5.08 cm (2") longer than standard configuration						NC
SP04	<input type="checkbox"/>	Frame length 2.54 cm (1") shorter than standard configuration						NC
SP05	<input type="checkbox"/>	Frame length 5.08 cm (2") shorter than standard configuration						NC
TRANSIT TIE DOWN								
AC05-S	<input type="checkbox"/>	WC-19 Transit Tie Down w/Q'straint belt ⁶	Short belt 50-104 cm (20" - 41")				Upcharge	
AC05-L	<input type="checkbox"/>	WC-19 Transit Tie Down w/Q'straint belt ⁶	Long belt 50-116 cm (20" - 46")				Upcharge	
AC35	<input type="checkbox"/>	WC-19 Transit Tie Down without belt ⁶						Upcharge

1- Only available with frame length 1" and 2" longer; 2- Available with HD option 3- Width calculator 4- See chart on page 7
5- 4.375" from seat sling to front frame; 6- May interfere with swing away armrest and Clamp on height adjustable push handle; Not available with HD option

FRONT Seat-to-floor height

Caster sizes	Height available +- 1/4"	Specify desired height: _____ (inches)
7,62cm (3") Caster	35.56cm to 53.34cm (14" to 21")	
10,16cm (4") Caster	36.83cm to 53.34cm (14.5" to 21")	
12,7cm (5") Caster	39.37cm to 53.34cm (15.5" to 21")	
15,25cm (6") Caster	41.91cm to 53.34cm (16.5" to 21") (N/A with 90° front frame)	



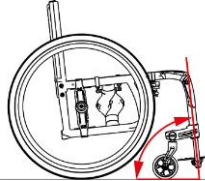
CASTERS					
CA01-03	<input type="checkbox"/>	Composite wheel w/ PU tire	3" x 1"		NC
CA01-04	<input type="checkbox"/>		4" x 1"		NC
CA01-05	<input type="checkbox"/>		5" x 1"		NC
CA01-06	<input type="checkbox"/>		6" x 1"		NC
CA10	<input type="checkbox"/>	Pneumatic casters	6" x 1 1/2"		Upcharge
CA14	<input type="checkbox"/>	Newton UltraCaster <i>Soft-Roll</i> Composite	4" x 1 1/2"		Upcharge
CA15	<input type="checkbox"/>		5" x 1 1/2"		Upcharge
CA16	<input type="checkbox"/>		6" x 1 1/2"		Upcharge
CA17	<input type="checkbox"/>		4" x 1 1/2"		Upcharge
CA18	<input type="checkbox"/>	Newton UltraCaster <i>Soft-Roll</i> Aluminum	5" x 1 1/2"		Upcharge
CA19	<input type="checkbox"/>		6" x 1 1/2"		Upcharge
CASTER OPTIONS					
CA13	<input type="checkbox"/>	Carbon fiber Frog Legs suspension forks <i>(Not available with caster pin locks)</i>			Upcharge

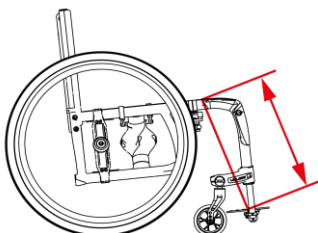
REAR Seat-to-floor Height

WHEEL SIZES	Height available	Specify desired height: _____ (inches)
22"(501) wheel <input type="checkbox"/>	34.29cm to 46.35cm (13.5" to 18.25")	
24" (540) wheel <input type="checkbox"/>	36.83cm to 48.89cm (14.5" to 19.25")	
25" (559) wheel <input type="checkbox"/>	38.10cm to 50.16cm (15" to 19.75")	
26" (590) wheel <input type="checkbox"/>	39.37cm to 51.43cm (15.5" to 20.25")	

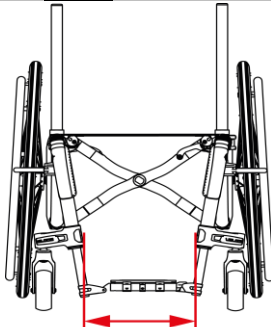
Configuration used: 2.5 cm (1") seat slope with a center of gravity at 5cm (2")

Note: Tire size, center of gravity setting and seat slope may result in a variation of +/- 1,25 cm (1/2") of selected Seat to Floor height"

FRONT FRAME ANGLE					
FA70	<input type="checkbox"/>	70° Front frame angle			NC
FA75	<input type="checkbox"/>	75° Front frame angle			NC
FA80	<input type="checkbox"/>	80° Front frame angle			NC
FA85	<input type="checkbox"/>	85° Front frame angle			NC
FA90	<input type="checkbox"/>	90° Front frame angle			NC

SEAT TO FOOTREST LENGTH	
Set Length to ¹ :	Length must be at least 4,5 cm (1 1/2") shorter than front seat-to-floor height
1 - +/- 1.27 cm (1/2")	
	

Footrest width / Taper selection					
Seat Width		Straight ¹		1" Taper	
Outside Measurement		6,4 cm Narrower than Seat Width		1,4 cm Narrower than Seat Width	
35.56	14"	29.21 cm	11.5"	24.13 cm	9.5"
38.10	15"	31.75 cm	12.5"	26.67 cm	10.5"
40.64	16"	34.29 cm	13.5"	29.21 cm	11.5"
43.18	17"	36.83 cm	14.5"	31.75 cm	12.5"
45.72	18"	39.37 cm	15.5"	34.29 cm	13.5"
48.26	19"	41.91 cm	16.5"	36.83 cm	14.5"
50.80	20"	44.45 cm	17.5"	39.37 cm	15.5"



1- May interfere with auto-folding and flip-up footplates

FOOTPLATES					
FP02	<input type="checkbox"/>	Newton adjustable angle footplate - Composites (<i>Two piece</i>)			Upcharge
FP03	<input type="checkbox"/>	Newton adjustable angle - Aluminum (<i>Two piece</i>)			Upcharge
FP04	<input type="checkbox"/>	Newton adjustable angle footplate - Carbon fiber with rubber inserts (<i>Two piece</i>)			Upcharge
FP06	<input type="checkbox"/>	One piece adjustable angle flip-up - Aluminum			NC
FP07	<input type="checkbox"/>	One piece adjustable angle flip-up - Carbon fiber with rubber inserts			Upcharge
FP28	<input type="checkbox"/>	One piece auto-folding adjustable angle - Aluminum			Upcharge
FP29	<input type="checkbox"/>	One piece auto-folding adjustable angle - Carbon fiber with rubber inserts			Upcharge
FOOTPLATE ACCESSORIES					
FP08	<input type="checkbox"/>	Length adjustable heel loop (<i>not available with one piece footplate</i>)			Upcharge
FP09	<input type="checkbox"/>	Calf strap			Upcharge
FP30	<input type="checkbox"/>	Bodypoint Aeromesh Padded calf strap			Upcharge
Backrest					
FIXED HEIGHT WITHOUT PUSH HANDLE OPTIONS					
BC03-9		Ultralight carbon fiber back cane	22.86cm (9")	*Not available until Mid-2023	NC
BC03-12		Ultralight carbon fiber back cane	30.48cm (12")	*Not available until Mid-2023	NC
BC03-15		Ultralight carbon fiber back cane	38.10cm (15")	*Not available until Mid-2023	NC
BC03-18		Ultralight carbon fiber back cane	45.72cm (18")	*Not available until Mid-2023	NC
BC03-21		Ultralight carbon fiber back cane	53.34cm (21")	*Not available until Mid-2023	NC
BC04-13		8° Bend Carbon fiber back cane	34.29cm (13 ½")	*Not available until Mid-2023	Upcharge
BC04-15		8° Bend Carbon fiber back cane	38.10cm (15")	*Not available until Mid-2023	Upcharge
BC04-18		8° Bend Carbon fiber back cane	45.72cm (18")	*Not available until Mid-2023	Upcharge
HEIGHT ADJUSTABLE WITH PUSH HANDLES					
BC06-912		Straight Carbon fiber back cane	22.86 - 30.48cm (9-12")	*Not available until Mid-2023	NC
BC06-1215		Straight Carbon fiber back cane	30.48 - 38.10cm (12-15")	*Not available until Mid-2023	NC
BC06-1518		Straight Carbon fiber back cane	38.10 - 45.72cm (15-18")	*Not available until Mid-2023	NC
BC06-1821		Straight Carbon fiber back cane	45.72 - 53.37cm (18-21")	*Not available until Mid-2023	NC
BC08-1315		8° Bend Carbon fiber back cane	34.29 - 38.10cm (13 ½-15")	*Not available until Mid-2023	Upcharge
BC08-1518		8° Bend Carbon fiber back cane	38.10 - 45.72 (15-18")	*Not available until Mid-2023	Upcharge
BC08-1821		8° Bend Carbon fiber back cane	45.72 - 53.34cm (18-21")	*Not available until Mid-2023	Upcharge
* Replacement options below: 1-Aluminum fixed height and angle, 2- Aluminum fixed height and angle adjustable or 3- Straight carbon fiber angle and height adjustable					
FIXED HEIGHT WITHOUT PUSH HANDLE OPTIONS					
BC30	<input type="checkbox"/>	Straight aluminum back cane	9"		NC
BC36	<input type="checkbox"/>	Straight aluminum back cane	12"		NC
BC42	<input type="checkbox"/>	Straight aluminum back cane	15"		NC
BC63	<input type="checkbox"/>	8° bend aluminum back cane	13 ½"		Upcharge
BC64	<input type="checkbox"/>	8° bend aluminum back cane	15"		Upcharge
FIXED ANGLE, HEIGHT ADJUSTABLE BACK CANES WITH PUSH HANDLE OPTIONS (MUST select ONE push handle options)					
BC11-912	<input type="checkbox"/>	Straight Aluminum back cane	9" - 12"	increment of 1/2"	Set at ² : NC
BC11-1215	<input type="checkbox"/>	Straight Aluminum back cane	12" - 15"	increment of 1/2"	Set at ² : NC
BC11-1518	<input type="checkbox"/>	Straight Aluminum back cane	15" - 18"	increment of 1/2"	Set at ² : NC
BC11-1821	<input type="checkbox"/>	Straight Aluminum back cane	18" - 21"	increment of 1/2"	Set at ² : NC
BC12-1315	<input type="checkbox"/>	8° Bend Aluminum back cane	13.5" - 15"	increment of 1/2"	Set at ² : Upcharge
BC12-1518	<input type="checkbox"/>	8° Bend Aluminum back cane	15" - 18"	increment of 1/2"	Set at ² : Upcharge
BC12-1821	<input type="checkbox"/>	8° Bend Aluminum back cane	18" - 21"	increment of 1/2"	Set at ² : Upcharge
ANGLE AND HEIGHT ADJUSTABLE BACK CANE WITH PUSH HANDLE OPTIONS (MUST select ONE push handle options)					
BC09-1215	<input type="checkbox"/>	Straight Carbon fiber back cane	30.48 - 38.10cm (12-15")	increment of 1/2"	Set at ² : Upcharge
BC09-1518	<input type="checkbox"/>	Straight Carbon fiber back cane	38.10 - 45.72cm (15-18")	increment of 1/2"	Set at ² : Upcharge
BC09-1821	<input type="checkbox"/>	Straight Carbon fiber back cane	45.72 - 53.37cm (18-21")	increment of 1/2"	Set at ² : Upcharge
BC10-1315		8° bend Carbon fiber back cane	34.29 - 38.10cm (13 ½-15")	*Not available until Mid-2023	Upcharge
BC10-1518		8° bend Carbon fiber back cane	38.10 - 45.72 (15-18")	*Not available until Mid-2023	Upcharge
BC10-1821		8° bend Carbon fiber back cane	45.72 - 53.34cm (18-21")	*Not available until Mid-2023	Upcharge
		Select back cane angle:	85° <input type="checkbox"/> 90° <input type="checkbox"/> 95° STD <input type="checkbox"/> 100° <input type="checkbox"/> 105° <input type="checkbox"/> 110° <input type="checkbox"/>		
PUSH HANDLES OPTIONS (ONE option at a time)					
PH01	<input type="checkbox"/>	Push handles			NC
PH05	<input type="checkbox"/>	Fold down push handles ^{3,5}			Upcharge
PH06-920	<input type="checkbox"/>	Clamp on height adjustable push handles 22.86 -50.80cm (9" - 20") ^{3,4,5}			Upcharge
PH06-923	<input type="checkbox"/>	Clamp on height adjustable push handles 22.86 - 58.4cm (9" - 23") ^{3,4,5}			Upcharge
PH02	<input type="checkbox"/>	Omit push handles			NC

1- Not available with a 8° bend back cane; 2- If not indicated, default height setting is at the lowest position; measured from seat sling to top of back upholstery; 3- 120 kg/265lb weight limit
4- Not compatible with swing away armrests, 8° bend back canes; 5- Not compatible with headrest and attendant lock

BACK UPHOLSTERY				
BH07	<input type="checkbox"/>	Slip-on Active-Mesh back upholstery		NC
BH08	<input type="checkbox"/>	Adjustable tension Active-Mesh back upholstery		Upcharge
BH99	<input type="checkbox"/>	Omit Back upholstery		NC
SEAT CUSHION				
SC01	<input type="checkbox"/>	5.08 cm (2") Cushion		Upcharge
SC02	<input type="checkbox"/>	7.62 cm (3") Cushion		Upcharge
SC99	<input type="checkbox"/>	Omit seat cushion		STD

Rear wheels

ONE ARM DRIVE ¹ Only available with Newton One rear wheels with Aluminum, Plastic coated Handrims, permanent axles, 0° camber				
HR22	<input type="checkbox"/>	One arm drive - aluminum inner handrim ^{2,3}	24"	Left <input type="checkbox"/> Right <input type="checkbox"/>
HR60	<input type="checkbox"/>	One arm drive - plastic coated inner handrim ^{2,3}	24"	Left <input type="checkbox"/> Right <input type="checkbox"/>
HR98	<input type="checkbox"/>	Omit handrim on opposite side of the One Arm Drive (OAD)		NC

REAR WHEELS				
RW01	<input type="checkbox"/>	Mag ⁴	22" 24"	Upcharge
RW02	<input type="checkbox"/>	Newton One - spoke wheel ⁵	22" 24"	NC
RW03	<input type="checkbox"/>	Newton Gravity - ultralight wheel	22", 24", 25", 26"	Upcharge
RW04	<input type="checkbox"/>	Spinerigy Spox	Blk STD <input type="checkbox"/> Wht ⁶ <input type="checkbox"/> Blue ⁶ <input type="checkbox"/> Red ⁶ <input type="checkbox"/> Yel ⁶ <input type="checkbox"/>	22", 24", 25", 26"
RW05	<input type="checkbox"/>	Spinerigy LX	Blk STD <input type="checkbox"/> Pur ⁶ <input type="checkbox"/> Wht ⁶ <input type="checkbox"/> Blue ⁶ <input type="checkbox"/> Red ⁶ <input type="checkbox"/> Yel ⁶ <input type="checkbox"/> Pink ⁶ <input type="checkbox"/> Grn ⁶ <input type="checkbox"/> Org ⁶ <input type="checkbox"/>	22", 24", 25", 26"
RW07	<input type="checkbox"/>	Spinerigy CLX ⁷	Blk STD <input type="checkbox"/> Pur ⁶ <input type="checkbox"/> Wht ⁶ <input type="checkbox"/> Blue ⁶ <input type="checkbox"/> Red ⁶ <input type="checkbox"/> Yel ⁶ <input type="checkbox"/> Pink ⁶ <input type="checkbox"/> Grn ⁶ <input type="checkbox"/> Org ⁶ <input type="checkbox"/>	24", 25"

TIRES				
TI01	<input type="checkbox"/>	Soft Urethane - 1 3/8"	22" 24"	NC
TI02	<input type="checkbox"/>	Soft Urethane - knobby 1 3/8 "	22", 24", 25", 26"	Upcharge
TI04	<input type="checkbox"/>	Soft Urethane - Shox 1"	22", 24", 25", 26"	Upcharge
TI05	<input type="checkbox"/>	Pneumatic - 1 3/8"	22", 24", 25", 26"	NC
TI08	<input type="checkbox"/>	Pneumatic with Airless insert - 1 3/8" ⁸	22", 24", 26"	Upcharge
TI06	<input type="checkbox"/>	Pneumatic HP - 1"	22", 24", 25", 26"	Upcharge
TI07	<input type="checkbox"/>	Pneumatic HP - Puncture resistant, black 1"	24", 25", 26"	Upcharge

- 1- Offered with handrims on each side of the wheelchair; select the outer handrim in the handrims section; 2- Only standard handrim position available; 3- Not available with HD option
4- Not compatible with HP tires; Only available with aluminum or plastic coated handrim, standard position; 5- Not compatible with Shox tires;
6- Colour spokes require an additional 10 days lead-time; 7- Only available with 1" tires; 8- Only available with Mag, Newton One and Newton Gravity rear wheels

Handrims

HANDRIM				
HR01	<input type="checkbox"/>	Aluminum anodized	22", 24", 25", 26"	STD
HR61	<input type="checkbox"/>	Aluminum black hard anodized ²	22", 24", 25"	Upcharge
HR02	<input type="checkbox"/>	Plastic coated ¹	22", 24", 25", 26"	Upcharge
HR03	<input type="checkbox"/>	High friction coated ^{1,2}	22", 24", 25", 26"	Upcharge
HR07 à HR18	<input type="checkbox"/>	Newton Air Grip ²	See page 6 for the color selection and price	22", 24", 25", 26"
HR28	<input type="checkbox"/>	Surge ^{1,2} (1 1/2" Oval handrim w/ Gripton high friction strip)	**Limited availability	22", 24", 25", 26"
HR05	<input type="checkbox"/>	Surge LT ^{1,2} (1 1/8" Oval handrim w/ Gripton high friction strip)	**Limited availability	22", 24", 25", 26"
HR04	<input type="checkbox"/>	Natural Fit ^{1,2}	**Limited availability	22", 24", 25", 26"
HR62	<input type="checkbox"/>	Tour H ^{1,2} (1 5/16" Oval handrim with high friction strip)		22", 24", 25", 26"
HR63	<input type="checkbox"/>	Nova H ^{1,2} (1 1/4" Oval handrim with high friction strip)		22", 24", 25", 26"
HR64	<input type="checkbox"/>	Optimum H ^{1,2} (1 1/8" heart-shaped handrim)		22", 24", 25", 26"
HR99	<input type="checkbox"/>	Omit handrim		NC

- 1- Only standard and narrow handrim position. By default, the tab won't be cut with the narrow position; 2- Not available with Mag wheels

Handrims option

ASSEMBLY POSITION				
HR29	<input type="checkbox"/>	Standard Handrim position	Full tab	STD
HR030	<input type="checkbox"/>	Narrow Handrim position no cut	Full tab	NC
HR30	<input type="checkbox"/>	Narrow Handrim position with cut ³	Short tab 2 positions	Upcharge
HR31	<input type="checkbox"/>	Super Narrow Handrim ³	Short tab 2 positions STD <input type="checkbox"/> Short tab 1 position <input type="checkbox"/>	Upcharge
THUMB PIECE SELECTION FOR NATURAL FIT, SURGE, SURGE LT HANDRIMS				
HR23	<input type="checkbox"/>	Standard grip	**Limited availability	Upcharge
HR27	<input type="checkbox"/>	Super grip	**Limited availability	Upcharge
HR099	<input type="checkbox"/>	Omit thumb piece		NC

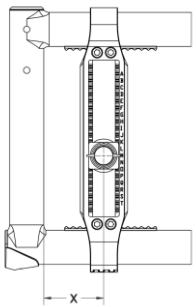
- 3- Only available with Aluminum and Air Grip handrims;

AXLE ¹				
AX01	<input type="checkbox"/>	Quick release axle		STD
AX03	<input type="checkbox"/>	Quad release axle		Upcharge

- 1- Not required with one arm drive

REAR WHEEL CAMBER			
CM00	<input type="checkbox"/>	0° camber	STD
CM03	<input type="checkbox"/>	3° camber	NC
CM06	<input type="checkbox"/>	6° camber	Upcharge

CENTER OF GRAVITY



Choose position of rear wheel axle plate:
Measure distance X from front of back post to center of axle receiver.

Most stable												
2,5	3,2	3,8	4,4	5,1	5,7	6,3	7	7,6	8,3	8,9	9,5	10,2
1"	1/4"	1/2"	3/4"	2"	1/4"	1/2"	3/4"	3"	1/4"	1/2"	3/4"	4"
<input type="checkbox"/>	<input type="checkbox"/>	<input type="checkbox"/>	<input type="checkbox"/>	<input type="checkbox"/>	<input type="checkbox"/>	<input type="checkbox"/>	<input type="checkbox"/>	<input type="checkbox"/>	<input type="checkbox"/>	<input type="checkbox"/>	<input type="checkbox"/>	<input type="checkbox"/>

If not indicated, default setting is at 3,8 cm/1.5"
Possible conflict between a seat depth under 40.6 cm (16") and a center of gravity over 6,3 cm (2.5").
Possible conflict between a 26" rear wheel and a center of gravity over 6,3 cm (2.5").
Motion Composites will select the closest possible center of gravity (COG) if an issue arises with the COG

WHEEL LOCK			
WL08	<input type="checkbox"/>	Newton wheel lock - push to lock	STD
WL16	<input type="checkbox"/>	Aluminum push to lock with extensions	\$77
WL02	<input type="checkbox"/>	Pull to lock	NC
WL04	<input type="checkbox"/>	Newton grade aid push to lock (suggested with pneumatic or high pressure tire)	Upcharge
WL13 WL14	<input type="checkbox"/>	6" removable extension handle	Upcharge
WL05	<input type="checkbox"/>	Scissors Lock	Upcharge
WL15	<input type="checkbox"/>	Unilateral wheel lock - pull to lock ¹ Left <input type="checkbox"/> Right <input type="checkbox"/>	Upcharge
WL99	<input type="checkbox"/>	Omit wheel locks	NC

1- For more information about incompatibilities and restriction, refer to the table at page 7 and the "How-to documents" page of our website:
https://www.motioncomposites.com/en_intl/support-and-education/how-to-documents

Handrims			
HEIGHT ADJUSTABLE FLIP BACK ARMREST (convertible to "T" armrest) ¹			
AR01-812	<input type="checkbox"/>	25.4cm (10") Desk length armpad	20.32 - 30.48cm (8" - 12") Locked <input type="checkbox"/> Unlocked STD <input type="checkbox"/>
AR01-1014	<input type="checkbox"/>	25.4cm (10") Desk length armpad	25.40 - 35.56cm (10" - 14") Locked <input type="checkbox"/> Unlocked STD <input type="checkbox"/>
AR02-812	<input type="checkbox"/>	35.56cm (14") Full length armpad	20.32 - 30.48cm (8" - 12") Locked <input type="checkbox"/> Unlocked STD <input type="checkbox"/>
AR02-1014	<input type="checkbox"/>	35.56cm (14") Full length armpad	25.40 - 35.56cm (10" - 14") Locked <input type="checkbox"/> Unlocked STD <input type="checkbox"/>
HEIGHT ADJUSTABLE "T" ARMREST ¹			
AR13-610	<input type="checkbox"/>	25.4cm (10") Desk length armpad ⁴	15.25 - 25cm (6" - 10")
AR03-812	<input type="checkbox"/>	25.4cm (10") Desk length armpad	20.32 - 30.48cm (8" - 12")
AR03-1014	<input type="checkbox"/>	25.4cm (10") Desk length armpad	25.40 - 35.56cm (10" - 14")
AR14-610	<input type="checkbox"/>	35.56cm (14") Full length armpad ⁴	15.25 - 25cm (6" - 10")
AR04-812	<input type="checkbox"/>	35.56cm (14") Full length armpad	20.32 - 30.48cm (8" - 12")
AR04-1014	<input type="checkbox"/>	35.56cm (14") Full length armpad	25.40 - 35.56cm (10" - 14")
HEIGHT ADJUSTABLE SWING AWAY ARMREST ²			
AR05	<input type="checkbox"/>	Tubular armrest - Short pad	20.32 - 27.94cm (8 - 11")
AR23	<input type="checkbox"/>	Tubular armrest - Long pad	20.32 - 27.94cm (8 - 11")
AR06	<input type="checkbox"/>	25.4cm (10") Desk Length flat armpad	20.32 - 27.94cm (8 - 11")
AR17	<input type="checkbox"/>	35.56cm (14") Full Length flat armpad	20.32 - 27.94cm (8 - 11")
ARMREST OPTIONS			
AR12	<input type="checkbox"/>	35.56cm (14") Full Length Armpad - Gel Ovation (pair) ³	Upcharge
AR99	<input type="checkbox"/>	Omit armrest	NC

1 - May have a 1/2" adjustment restriction on both limits of the range 2 - Could interfere with some rigid back rests 3 - Not available with swing away and flip back armrest
4 - May have some restriction with seat-to-floor height and rear wheel

SIDE GUARDS (not available with Flip Back and "T" Armrest)			
SG01	<input type="checkbox"/>	Plastic side guards (removable)	Upcharge
SG02	<input type="checkbox"/>	Carbon fiber side guards (fixed)	Upcharge
SG03	<input type="checkbox"/>	Carbon fiber side guards (removable)	Upcharge
SG06	<input type="checkbox"/>	Plastic fender side guards - straight bracket (removable)	Upcharge
SG08	<input type="checkbox"/>	Plastic fender side guards - offset bracket (removable) ¹	Upcharge
SG04	<input type="checkbox"/>	Carbon fiber fender side guards (removable)	Upcharge
SG99	<input type="checkbox"/>	Omit side guard	NC
SIDE GUARDS OPTION			
SG07	<input type="checkbox"/>	Side guards clip (pair) ²	NC

1- only compatible with 0° camber; Increase distance between fender side guards by 1 1/8"; 2- Not available with fixed carbon fiber side guard

POSITIONING BELT				
SB01-S	<input type="checkbox"/>	Velcro adjustable - Standard 88.9cm (35")		Upcharge
SB01-L	<input type="checkbox"/>	Velcro adjustable - Long 152.40cm (60")		Upcharge
SB02-S	<input type="checkbox"/>	Auto buckle - Standard 88.9cm (35")		Upcharge
SB02-L	<input type="checkbox"/>	Auto buckle - Long 152.40cm (60")		Upcharge
SB04-M	<input type="checkbox"/>	BodyPoint Hip Belt - 2 point not padded - Medium 142.24cm (56")		Upcharge
SB04-L	<input type="checkbox"/>	BodyPoint Hip Belt - 2 point not padded - Long 154.94cm (61")		Upcharge
SB05-S	<input type="checkbox"/>	BodyPoint Hip Belt - 2 point padded - Small 129.54cm (51")		Upcharge
SB05-M	<input type="checkbox"/>	BodyPoint Hip Belt - 2 point padded - Medium 142.24cm (56")		Upcharge
SB05-L	<input type="checkbox"/>	BodyPoint Hip Belt - 2 point padded - Long 154.94cm (61")		Upcharge
SB06-S	<input type="checkbox"/>	BodyPoint Hip Belt - 4 point padded - Small 129.54cm (51")		Upcharge
SB06-M	<input type="checkbox"/>	BodyPoint Hip Belt - 4 point padded - Medium 142.24cm (56")		Upcharge
SB06-L	<input type="checkbox"/>	BodyPoint Hip Belt - 4 point padded - Long 154.94cm (61")		Upcharge
SB03	<input type="checkbox"/>	Hardware attachment for 2 extra points (1 pair)		Upcharge
SB08-M	<input type="checkbox"/>	BodyPoint EVOFLEX® Positioning Belt Rehab latch and Band Clamps - Medium 73.66 (18")		Upcharge
SB08-L	<input type="checkbox"/>	BodyPoint EVOFLEX® Positioning Belt Rehab latch and Band Clamps - Long 93.98cm (24")		Upcharge
SB99	<input type="checkbox"/>	Omit positioning belt		STD

HEADREST ¹				
AC01-S	<input type="checkbox"/>	Profiled Headrest - Small 8.8x15.2cm (3.5"X6")		Upcharge
AC01-M	<input type="checkbox"/>	Profiled Headrest - Medium 11.4x17.8cm (4.5"X7")		Upcharge
AC01-L	<input type="checkbox"/>	Profiled Headrest - Large 14x2.3cm(5.5"X8")		Upcharge
AC28	<input type="checkbox"/>	Headrest mounting hardware with tension bar		Upcharge

1 - Only available with push handles

ACCESSORIES				
AC03	<input type="checkbox"/>	Anti-tippers		Upcharge
AC29	<input type="checkbox"/>	Swing-away anti-tipper ¹ Left <input type="checkbox"/> Right <input type="checkbox"/>		Upcharge
AC27	<input type="checkbox"/>	Tip assist ²		Upcharge
AC06	<input type="checkbox"/>	Cane and crutch holder Left <input type="checkbox"/> Right <input type="checkbox"/>		Upcharge
AC08	<input type="checkbox"/>	Spoke guards ³ Available: 22", 24", 26"		Upcharge
AC10	<input type="checkbox"/>	Seat pouch		Upcharge
AC30	<input type="checkbox"/>	Newton multi-purpose pouch		Upcharge
AC26	<input type="checkbox"/>	BodyPoint Mobility Bag		Upcharge
AC23	<input type="checkbox"/>	Newton Backpack		Upcharge
AC12	<input type="checkbox"/>	Velcro Closing Strap		Upcharge
AC13	<input type="checkbox"/>	Tool kit		Upcharge
AC16	<input type="checkbox"/>	Motion Composites Polo Shirt W/S <input type="checkbox"/> W/M <input type="checkbox"/> W/L <input type="checkbox"/> M/S <input type="checkbox"/> M/M <input type="checkbox"/> M/L <input type="checkbox"/> M/XL <input type="checkbox"/> M/XXL <input type="checkbox"/> M/XXXL <input type="checkbox"/>		Upcharge

1- Must select the pair (left and right) with HD option; Only available with rear seat to floor height between 34,3cm (13 1/2") and 50,2cm (19 3/4")

2 - Cannot be combined with Anti Tippers

3- Not available with Mag wheels and Spinergy

Colors																					
Options ¹	Black	High Gloss Carbon Fiber	Sunkissed Orange	Burgundy	Sapphire Blue	Monster Green	Charcoal	Fuchsia	Steel Blue	Ferrari Red	Acid Green	Electric Purple	Caribbean Blue	White	Pink Pearl	Plum Purple	Sky Blue	Black Cherry	Khaki Green (matte)	Desert Sand (matte)	
AirGrip	<input type="checkbox"/>	<input type="checkbox"/>	<input type="checkbox"/>	<input type="checkbox"/>	<input type="checkbox"/>	<input type="checkbox"/>	<input type="checkbox"/>	<input type="checkbox"/>	<input type="checkbox"/>	<input type="checkbox"/>	<input type="checkbox"/>	<input type="checkbox"/>	<input type="checkbox"/>	<input type="checkbox"/>	<input type="checkbox"/>	<input type="checkbox"/>	<input type="checkbox"/>	<input type="checkbox"/>	<input type="checkbox"/>	<input type="checkbox"/>	Upcharge
Frame	<input type="checkbox"/>	<input type="checkbox"/>	<input type="checkbox"/>	<input type="checkbox"/>	<input type="checkbox"/>	<input type="checkbox"/>	<input type="checkbox"/>	<input type="checkbox"/>	<input type="checkbox"/>	<input type="checkbox"/>	<input type="checkbox"/>	<input type="checkbox"/>	<input type="checkbox"/>	<input type="checkbox"/>	<input type="checkbox"/>	<input type="checkbox"/>	<input type="checkbox"/>	<input type="checkbox"/>	<input type="checkbox"/>	<input type="checkbox"/>	NC
Highlight ²	<input type="checkbox"/>	<input type="checkbox"/>	<input type="checkbox"/>	<input type="checkbox"/>	<input type="checkbox"/>	<input type="checkbox"/>	<input type="checkbox"/>	<input type="checkbox"/>	<input type="checkbox"/>	<input type="checkbox"/>	<input type="checkbox"/>	<input type="checkbox"/>	<input type="checkbox"/>	<input type="checkbox"/>	<input type="checkbox"/>	<input type="checkbox"/>	<input type="checkbox"/>	<input type="checkbox"/>	<input type="checkbox"/>	<input type="checkbox"/>	NC
FC99	<input type="checkbox"/>	Custom Color Specify PPG Paintit color:																		<i>additional 10 days lead-time</i>	Upcharge

1- Finish between Airgrip and frame might be different 2- To see different highlight, visit our website:

https://www.motioncomposites.com/en_intl/products/folding-wheelchairs/veloce

Frame length chart

Frame length	Seat Depth						
	35.56(14")	38.10(15")	40.64(16")	43.18(17")	45.72(18")	48.26(19")	50.80(20")
STD	N/A	38.10(15")	40.64(16")	43.18(17")	45.72(18")	48.26(19")	50.80(20")
1	38.10(15")	40.64(16")	43.18(17")	45.72(18")	48.26(19")	50.80(20")	N/A
2	40.64(16")	43.18(17")	45.72(18")	48.26(19")	50.80(20")	N/A	N/A
-1	N/A	N/A	38.10(15")	40.64(16")	43.18(17")	45.72(18")	48.26(19")
-2	N/A	N/A	N/A	38.10(15")	40.64(16")	43.18(17")	45.72(18")

Unilateral wheel lock restrictions

Seat depth: shall be 16 in and greater		
Rear wheel: shall be 24 in and less		
"T" or flip-back armrest only compatible with 0° Camber		
One arm drive: Not compatible with "T" or flip-back armrest		
"T" or flip-back armrest may require to move the rear wheels outwards		
Not compatible with wheel lock lever extension		
Rear wheel diameter	Seat depth (in)	COG Compatibility Range (in)
20 in	16+	1.75 to 4
22 in	16+	2.5 to 4
24 in	16+	1 to 4

Notes :