

BINGO Spex Stroller

A breakthrough in rehabilitative stroller seating.

The BINGO Spex provides a solution for paediatrics that has never been seen before. For children with positioning needs where a stroller is the preferred option for the family, the BINGO Spex provides an optimum seating support designed to accommodate even the most challenging postures.



Create clinical solutions with Spex cushion and back support system.



ALLOWANCE FOR HIP/THIGH FLEXION AND PRE-ISCHIAL SUPPORT

A good pelvic foundation is paramount to assist in slowing, or even preventing pelvic and spinal asymmetries. Therefore, the cushion adjusts to correct or accommodate the child's pelvic and thigh needs.



SPEX POSITIONING CUSHION BASE

Strategic positioning pads can be added or removed from underneath the cushion to allow for different contours and shapes. This way we can meet the client's posture requirements present today, and readjust them in the future.



PELVIC OBLIQUITY BUILD-UP

Pelvic obliquity build-up can be achieved and easily adjusted under the cushion ischial well. Its adjustable pre-ischial area can be adjusted on-the-spot for greater or lesser anti-thrust needs.



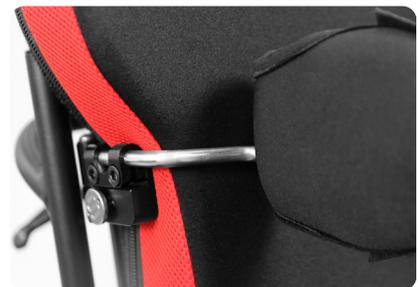
CREATE INSTANT SHAPE

Back support shaping allows for accommodation or correction of spinal asymmetries, in addition to multi-adjustable lateral trunk supports and anterior chest supports.



SPEX CONTOURING SYSTEM

A modular and adjustable solution which can be tailored to meet the individual support needs of each child.



SUPPORT WHERE IT'S NEEDED

Axial lateral support technology offers unparalleled adjustment to provide trunk support exactly where it's needed, promoting comfort and function.

A smart-looking stroller that enables parents to take their child outside and explore!



Forward to rear facing seat configuration in 30 seconds!



Adjustable recline, seat tilt and elevating foot support.



LATERAL HEAD SUPPORT

Ultimate comfort and positioning for the head with inbuilt lateral and occipital support. 2 styles available: standard lateral and extended lateral (shown).

Standard 2885-4241-XXX

Extended 2885-4341-XXX

Superior comfort and style

With a wide range of coloured seating options to choose from, the BINGO Spex offers a colour to suit any style. Stand out from the crowd with Chilli Red, look pretty in pink with Calypso Pink, or pick another colour from the rainbow.



WIPE-DOWN
-209

BLACK
-099

BUMBLEBEE
-044

CALYPSO
-028

CHILLI
-022

GRANITE
-090

LEAF
-054

MANGO
-030

OCEAN
-060

ROYAL
-077

OPTIONAL ACCESSORIES:

- Hip belt positioning
- Anterior chest supports
- Lateral Head Support
- Oxygen bottle holder
- IV pole
- Axial Pelvic Supports
- Ventilator tray for respiratory equipment
- Feet sandals
- Height-adjustable indoor base
- Weather gear

BINGO SWITCH:

At the heart of this innovative new design lies an interchangeable front end, a unique feature which eliminates the need to purchase multiple bases. Use the standard wheels for everyday journeys or quickly switch in the third wheel for off-road expeditions, delivering a safe, secure experience across all terrain.

Size 1: 2884-1001-000

Size 2: 2884-1002-000

Swivelling Front Wheel Attachment:

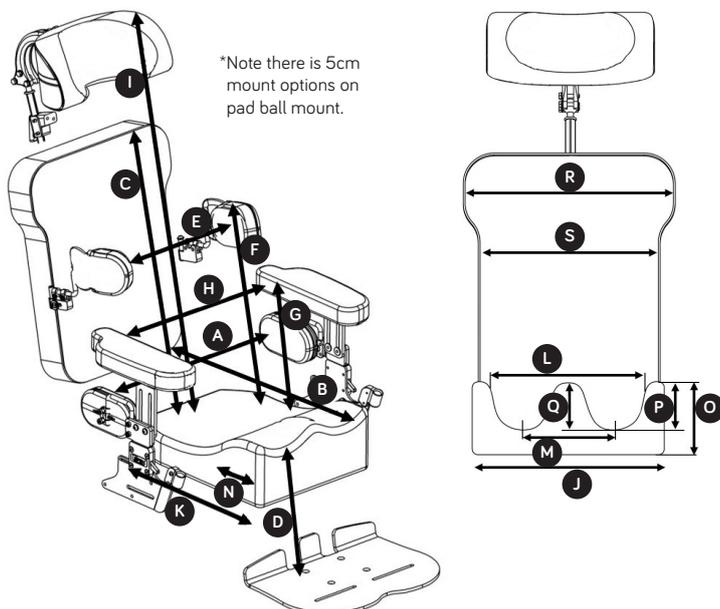
Size 1: 2884-9571-000

Size 2: 2884-9572-000



BINGO Spex Stroller User measurements

BINGO Stroller Size		Size 1		Size 2	
Order Code		2885-0031-032		2885-0032-032	
Seating specs	A Hip width	17-28cm (6.5-11")		22-33cm (8.5-13")	
	B Seat depth	18-30cm (7-12")		23-38cm (9-15")	
	C Back height	36-44cm (14-17")		40-48cm (16-19")	
	D Lower leg length	25-40cm (10-16")		25-45cm (10-18")	
	E Trunk lateral width	12-28cm (5-11")		15-30cm (6-12")	
	F Trunk lateral height	15-34cm (6-13.5")		17-40cm (6.5-16")	
	G Arm support height	15-22cm (6-8.5")		15-22cm (6-8.5")	
	H Internal arm support width	20-32cm (8-13")		28-38cm (11-15")	
	I Head support height*	45-65cm (18-25.5")		50-70cm (20-28")	
	J Cushion total width	33cm (13") Size 1.1	33cm (13") Size 1.2	38cm (15") Size 2.1	38cm (15") Size 2.2
	K Cushion total depth	33cm		38cm	
	L Internal cushion width	23cm (9") Size 1.1	28cm (11") Size 1.2	28cm (11") Size 2.1	33cm (13") Size 2.2
	M Centre of thigh contours	15cm (6") Size 1.1	17cm (6.5") Size 1.2	18cm (7") Size 2.1	20cm (8") Size 2.2
	N Thigh contour depth	10cm (4") Size 1.1	12cm (5") Size 1.2	12cm (5") Size 2.1	15cm (6") Size 2.2
	O Cushion side height	14cm (5.5")		14cm (5.5")	
	P Thigh contour height	9cm (3.5")		9cm (3.5")	
Q Abductor contour height	5cm (2")		5cm (2")		
R Back cushion width	33cm (13")		38cm (15")		
S Trunk cushion width	26cm (10")		30cm (12")		
Stroller specs	Frame seat depth capacity	18-30cm (7-12")		20-38cm (8-15")	
	Frame back height capacity	36-46cm (14-18")		41-55cm (16-22")	
	Backrest recline angle	90-160°			
	Height of push bar	75-110cm (29.5-43")			
	Overall frame width	63cm (25")		68cm (27")	
	Max load of seat unit	50kg (110lb) (body weight including other load)			
	Base frame capacity	60kg (132lb)			



Stroller Package Includes: Matte black frame, tie downs, 3kg fabric basket, tray table, and sun canopy.



Adjustable seating and stroller



Cobra height-adjustable indoor base. The seat easily transfers into the Cobra for feeding and other activities. Tilt setting can still be adjusted.
Size 1: 2880-8711-000
Size 2: 2880-8721-000



Seat in forward facing direction.



Seat in rear facing direction.

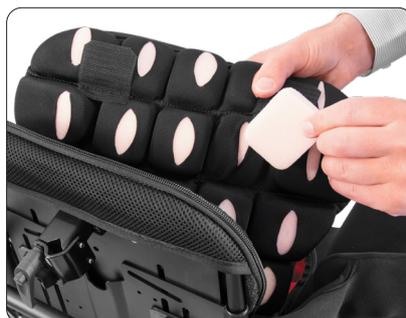
Unparalleled postural support with innovative Spex seating



AXIAL PELVIC SUPPORTS

Multi-adjustable pelvic supports can be adjusted in width, angle and depth for optimum pelvic control. These pads are mounted to the quick-release hardware meaning transfers are easy.

Size 1: 2885-1111-000
Size 2: 2885-1112-000



SPEX BACK SUPPORT

Comfortable pressure-reducing back support with contouring cell system to permit a personal contour for bony prominences, scoliosis and other asymmetrical trunk postures.

Size 1: 2885-2012-OXX
Size 2: 2885-2014-OXX



SPEX SUPERHIGH CUSHION

Specially designed for a young child who has moderate to high positioning requirements. Spex SuperHigh offers optimal medial and lateral thigh contours to effectively position the pelvis and legs. Spex positioning technology allows further adjustment for pelvic obliquity, hip flexion and other clinical requirements.

1.1: 2885-0610-OXX **1.2:** 2885-0611-OXX
2.1: 2885-0612-OXX **2.2:** 2885-0613-OXX



AXIAL LATERAL TRUNK SUPPORTS

Comfortable lateral trunk supports that are width, depth and multiple angle adjustable. Patented mechanically rotational system allows the lateral pad to rotate to correctly align to the user's trunk. Swing-away hardware make it easy for carers to transfer the child in and out.

Narrow: 2885-3410-291
Broad: 2885-3431-291



FOREARM SUPPORTS

Comfortable, padded forearm supports on quick-release hardware make transfers easy for the carers.

Size 1: 2885-5621-291
Size 2: 2885-5622-291



FEET POSITIONING SANDALS

Foot supports provide additional stability for lower limbs and feet, adjustable independently to achieve the optimum foot position.

Sandals: 2885-6081-000
Sandal Raising Blocks: 2885-6091-000