

**DEALER NET**

Effective November 2020

To place order/quote: [orders@sunrisemedical.com.au](mailto:orders@sunrisemedical.com.au)



Distributor Name: \_\_\_\_\_  
Contact Name: \_\_\_\_\_

Purchase Order No: \_\_\_\_\_  
Delivery Address: \_\_\_\_\_  
\_\_\_\_\_  
\_\_\_\_\_  
\_\_\_\_\_  
\_\_\_\_\_  
\_\_\_\_\_  
\_\_\_\_\_  
Postcode: \_\_\_\_\_  
Contact Name: \_\_\_\_\_  
Telephone: \_\_\_\_\_  
Email: \_\_\_\_\_

Notes/Comments:

**FOR RGK OFFICE USE ONLY**

A/C No: _____		
	Who	Date
OK to Quote:		
OK to Confirm:		
Document No:	DOC	

Net Value: \$ \_\_\_\_\_  
Freight: \$ \_\_\_\_\_  
Invoice Value: \$ \_\_\_\_\_  
Payment Received: \$ \_\_\_\_\_

- Base Product
- Standard Configuration
- Mandatory Information
- Option with No extra cost
- Information Required for Option
- Option with Extra cost

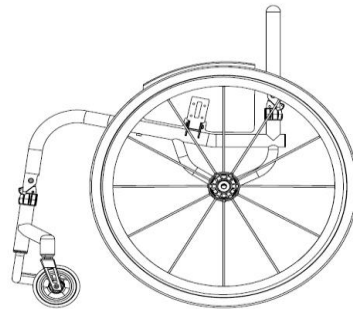
FTXZ010 OCTANE FX

XA070 Open design

**Max User Weight 110kg**

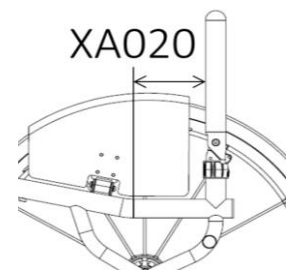
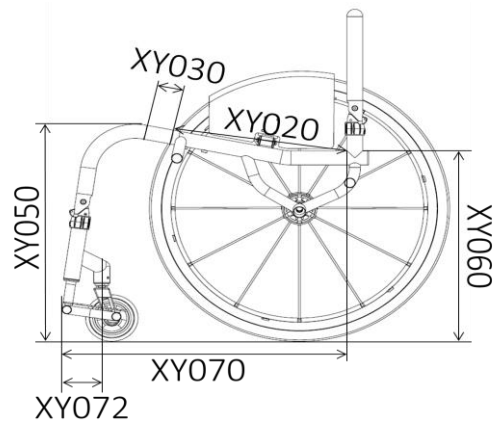
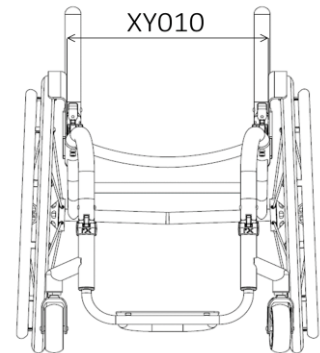
XW010 Full CAD drawing for approval

XW011 Quick CAD drawing for approval  
*(Basic outline of chair within 2 working days\*) \*Approximate time only*



**KEY FRAME MEASUREMENTS**

- XY010 Seat width *(Inside of sideguards)*  
  *(Max - 460mm)*  
*(Min - 250mm)*
- XY020 Seat length  
  *(Max - 460mm)*  
*(Min - 250mm)*
- XY030 Extra seat length *(Provides additional leg support & hand grip)*
- XY050 Front frame height  
  *(Max - 550mm)*  
*(Min - 480mm)*
- XY060 Rear frame height  
  *(Max - 550mm)*  
*(Min - 360mm)*
- XY070 Frame length  
  *(Min XY020 + XY030 + 140mm)*  
*(Max 625mm)*
- XY072 Castor position  
   
  Optimise measurements
- XA020 Ergonomic seat  
 Specify length  *(Standard = 120mm)*



**FRONT FRAME AND FOOTREST**

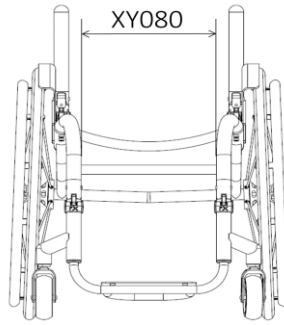
Front Frame Options

XY080 Seat taper design



Specify width  
 mm

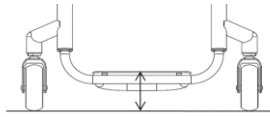
Optimise measurements (XY010-100mm)



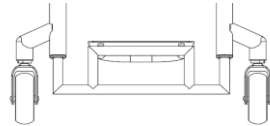
Footrest Design (Choose One)

XY100 Round design

Castor Size	Max Height	With XB200
3"	115mm	165mm
4"	125mm	175mm
5"	135mm	185mm

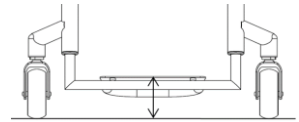


XB200 High level footrest (Only with XB010, XB080 & XB150)

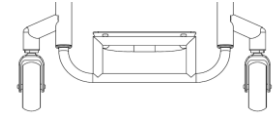


XY105 Square design

Castor Size	Max Height	With XB200
3"	135mm	185mm
4"	145mm	195mm
5"	155mm	205mm



XB200 High level footrest (Only with XB010, XB080 & XB150)



Footrest Individual Measurements

XY115 Front footrest height



mm

XY120 Rear footrest height



mm

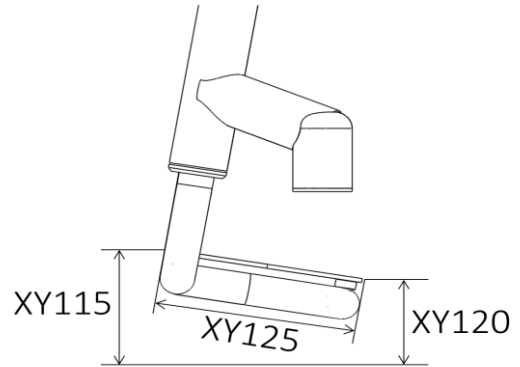
(Std = 20 lower than front height)

XY125 Footrest length



mm

(Std = 100mm)



Footrest Style and Cover (Choose One)

FTXB080 Tubular footrest welded into frame with Aluminium plate (Supplied with spacer kit to give +20mm adjustment)

XB165 Rubber grip tape (3M safety walk)

FTXB110 Tubular footrest welded into frame with Carbon plate (Supplied with spacer kit to give +20mm adjustment)

FTXB120 Clamp-on aluminium plate footrest (Angle/height adjustable)

**CASTOR WHEELS, FORKS & WHEEL LOCKS**

Castor Wheels

3"

- XC150 Aluminium centre 3"x1.4"  
(Silver hub and black urethane tyre)

4"

- XC060 Soft roll 4"x1.3"  
(Black)
- XC110 Aluminium centre 4"x1"  
(Silver hub and black urethane tyre)
- XC137 Carbon composite centre 4"x1.25"  
(Black hub & black urethane tyre)
- XC130 Aluminium centre 4"x1.4"  
(choose colour below)

Choose one castor option only

- |  |  |  |   |
|--|--|--|---|
| <input type="checkbox"/> Silver hub & black tyre (Std) | <input type="checkbox"/> Black hub & blue tyre | <input type="checkbox"/> Purple hub & black tyre | <input type="checkbox"/> Silver hub & blue tyre |
| <input type="checkbox"/> Black hub & black tyre        | <input type="checkbox"/> Red hub & black tyre  | <input type="checkbox"/> Gold hub & black tyre   | <input type="checkbox"/> Silver hub & red tyre  |
| <input type="checkbox"/> Black hub & red tyre          | <input type="checkbox"/> Blue hub & black tyre | <input type="checkbox"/> Green hub & black tyre  |   |

5"

- |  |  |
|--|--|
| <input type="checkbox"/> XC070 Soft roll 5"x1.3"<br>(Black)            | <input type="radio"/> XC120 Aluminium centre 5"x1"<br>(Silver hub and black urethane tyre)   |
| <input type="radio"/> XC100 Pneumatic Aluminium centre 5"x1"<br>(Grey) | <input type="radio"/> XC140 Aluminium centre 5"x1.4"<br>(Silver hub and black urethane tyre) |

6"

- |  |  |
|--|--|
| <input type="checkbox"/> XC080 Soft roll 6"x1.3" | <input type="radio"/> XC145 Aluminium centre 6"x1.4"<br>(Silver hub and black urethane tyre) |
|--|--|

Castor Forks

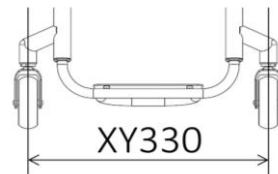
- |  |   |
|--|---|
| <input type="checkbox"/> XC190 Low ride castor fork<br>(Std when no option selected) | <input type="radio"/> XC210 Froglegs suspension castor fork |
|--|---|

Note: Colour follows accent

- Black  Silver

Castor Pin Width

- XY330 Castor pin width  
(XY010 plus 70mm)



Wheel Lock Options (Choose one)

- |  |  |
|--|--|
| <input type="checkbox"/> XD020 Underseat Scissor   | <input type="checkbox"/> XD050 Push to lock        |
| <input type="radio"/> XD030 Compact scissor  | <input type="radio"/> XD046 Out Front push to lock |
| <input type="radio"/> XD035 Compact scissor with lightweight fixing<br>(Only with fixed centre of gravity) | <input type="checkbox"/> XD010 Omit wheel locks    |
| <input type="radio"/> XD045 Out Front Compact scissor  |  |

**SIDEGUARDS AND ARMRESTS**

Sideguard		Sideguard with Fender	
Aluminium Options		Aluminium Options	
<input type="radio"/>	XE080 Lift out aluminium	<input type="radio"/>	XE090 Lift out aluminium with fender
<input type="radio"/>	FXTXE130 Fold flat aluminium	<input type="radio"/>	FXTXE140 Fold flat aluminium with fender
Carbon Fibre Options		Carbon Fibre Options	
<input type="radio"/>	XE100 Lift out carbon fibre	<input type="radio"/>	XE110 Lift out carbon fibre with fender
<input type="radio"/>	FXTXE150 Fold flat carbon fibre	<input type="radio"/>	FXTXE160 Fold flat carbon fibre with fender
ABS Plastic Options		Sideguard Measurements	
<input type="radio"/>	XE120 Lift out ABS plastic	Fender height	
<input type="radio"/>	FXTXE170 Fold flat ABS plastic	<input type="checkbox"/> 10mm above tyre <i>(Standard)</i>	
Armrest Options		<input type="checkbox"/> Individual above tyre <i>(Min = 10mm)</i>	
<input type="radio"/>	XF010 Lift out armrest with plastic sideguard <i>(Indicate fixed height)</i>	<input type="checkbox"/> <input type="text" value=""/> mm	Fender position
<input type="radio"/>	XF020 Lift out armrest with aluminium sideguard <i>(Indicate fixed height)</i>	<input type="checkbox"/> <input type="text" value=""/> mm <i>Height (Top of seatrail to top of armrest)</i>	<input type="checkbox"/> Centre of tyre <i>(Standard if no option selected)</i>
Sideguard Measurements		Choose optimised or individual measurements	
Optimised measurements		Choose optimised or individual measurements	
Choose optimised or individual measurements	<input type="checkbox"/> 25mm above tyre <i>(Follow tyre)</i>		<input type="checkbox"/> Outside of tyre
	<input type="checkbox"/> Individual above tyre <i>(Follow tyre)</i>		
	<input type="checkbox"/> Level with tyre <i>(Follow tyre)</i>		<input type="checkbox"/> <input type="text" value=""/> mm
Individual measurements		Choose optimised or individual measurements	
<input type="checkbox"/>	Sideguard length <input type="text" value=""/> mm	<input type="checkbox"/> <input type="text" value=""/> mm	
<input type="checkbox"/>	Sideguard height <input type="text" value=""/> mm	<input type="checkbox"/> <input type="text" value=""/> mm	

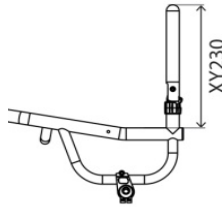
**BACKREST**

Backrest Height - Fixed or Adjustable (Choose One)

XY230 Fixed height backrest  
(Maximum 400mm)

Specify height

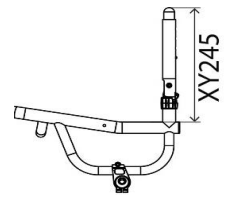
mm



XY245 Adjustable height backrest  
(Maximum height 400mm  
(+/-25mm))

Specify height

mm



Backrest Design - Fixed or Folding (Choose One)

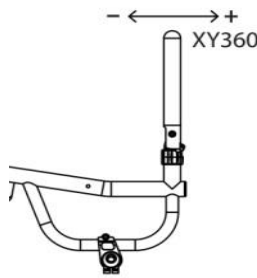
FXTXG060 Folding backrest with Q Lock  
(Black)

Ergonomics - Rearward Positioning (Choose One)

XY360 Backrest angle

-5  -3  0  +3  +5

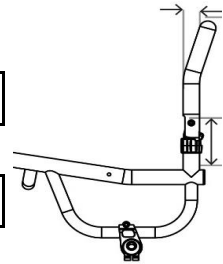
Individual  Deg  
(Max -7/+7 Deg)



XG100 Ergonomic backrest

Vertical height  mm

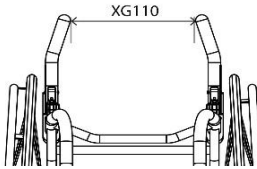
Rearward position  mm



Ergonomics - Lateral Positioning (Choose One)

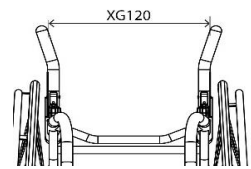
XG110 Inward taper  
(inside of backrest posts)

Specify width or per side  mm



XG120 Outward flare  
(inside of backrest posts)

Specify width or per side  mm



Push handle Options

- XG070 Screw in push handles  
(N/A with XY245)
- XG080 Flip down push handles  
(N/A with XY245)
- XG085 Flip down push handles height adjustable  
(N/A with XY245)

**CAMBER BAR**

Centre of gravity - Choose one

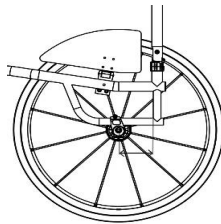
**Adjustable Centre of Gravity**

XH110 Square back adjustable centre of gravity

(25-150mm)  
(Max seat width 500mm)

Specify measurement

mm



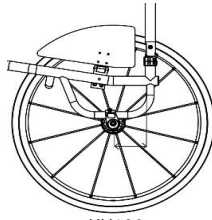
XH110

XH120 Round back adjustable centre of gravity

(60-150mm)

Specify measurement

mm



XH120

**Specify Camber Angle**

XY390 Camber angle

0  1  2  3  5

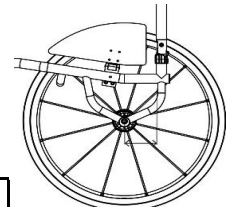
**Fixed Centre of Gravity**

FCTXH090 V-style fixed centre of gravity

(25-125mm)

Specify measurement

mm



FXAXH090

Centre of gravity - Choose one

**Specify Camber Angle**

XY390 Camber angle

0  1  2  3  5

**Camber Bar Options**

FCTXK227 Standard Axle pin (120 or 130mm)

FCTXK226 100mm Titanium Axle pin (Sub4 Style)

XK220 Titanium 130mm quick release axle pins (pair) (N/A with XK010, XK070 or FCTXK226)

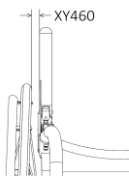


XK240 Quad release axle nuts (pair) (N/A with FCTXK226)

**Anti-Tip Options**

XJ010 Swingaway anti tip LEFT side (Only with square back frame. Not with XH040)

XJ020 Swingaway anti tip RIGHT side (Only with square back frame. Not with XH040)

XJ100 Single sport anti tip (centre mounted)

REAR WHEELS			
Wheel Size			
<input type="checkbox"/> XY420 24" Wheels	<input type="checkbox"/> XY430 25" Wheels	<input type="checkbox"/> XY440 26" Wheels	
Wheel Gap			
<input type="checkbox"/> XY460 Rear wheel gap			
<input type="checkbox"/> 15	<input type="checkbox"/> 20	<input type="checkbox"/> 25	
<input style="width: 100px; height: 20px;" type="text"/> mm			
Wheel Options (Choose one)			
<input type="checkbox"/> XK010 Fusion 16 spoke <i>(Silver Hub, black spokes)</i>	<input type="checkbox"/> XK320 Spinergy <b>XLX</b> 12 spoke, cross/radial spoked		
<input type="checkbox"/> XK050 Spinergy <b>LX</b> 12 spoke	<input type="checkbox"/> XK060 Spinergy <b>SPOX</b> 18 spoke		
<input type="checkbox"/> XK150 Spinergy <b>CLX</b> 18 carbon blade spoke	<input type="checkbox"/> XK070 Spinergy <b>BLXL</b> 18 blade spoke		
<b>Spinergy Colour Options:</b>			
<input type="checkbox"/> Black / Silver hub	<input type="checkbox"/> White / Black hub	<input type="checkbox"/> XK180 Custom spoke design <i>(Specify colour)</i> Inside: _____ Outside: _____	
<input type="checkbox"/> Red / Black hub	<input type="checkbox"/> Blue / Black hub		
<input type="checkbox"/> Yellow / Black hub	<input type="checkbox"/> Green / Black hub		
<input type="checkbox"/> Pink / Black hub	<input type="checkbox"/> Orange / Black hub		
<input type="checkbox"/> Purple / Black hub			
<b>Custom Anodise Options</b>			
<input type="checkbox"/> XK190 Black hub	<input type="checkbox"/> XK200 Silver hub <i>(N/A with CLX or BLXL)</i>	<input type="checkbox"/> XK201 Red hub/rims <i>(LX, XLX &amp; BLXL only)</i>	
<input type="checkbox"/> XK202 Purple hub/rims <i>(LX, XLX &amp; BLXL only)</i>	<input type="checkbox"/> XK203 Blue hub/rims <i>(LX, XLX &amp; BLXL only)</i>	<input type="checkbox"/> XK204 Custom hub/rims Select colour: _____	
Handrim Position			
<input type="checkbox"/> XY480 Narrow set handrim	<input type="checkbox"/> XY485 Wide set handrim		
<input type="checkbox"/> XL090 Remove excess mounting tabs <i>(recommended for small wheel gaps)</i>			
Handrim Options			
<input type="checkbox"/> XL010 Aluminium hard anodised 6 tab <i>(Standard if no option selected)</i>	<input type="checkbox"/> XL040 Titanium 6 tab		
<input type="checkbox"/> XL030 Surge LT 6 tab	<input type="checkbox"/> XL050 Stainless steel 6 tab		
<input type="checkbox"/> XL020 Tetra grip 6 tab	<input type="checkbox"/> XL140 Ergo gripp 6 tab wide		
<input type="checkbox"/> XL100 Para grip 6 tab			
Tyre Options			
<input type="checkbox"/> XM010 Kenda	<input type="checkbox"/> Grey <i>(std)</i>	<input type="checkbox"/> Blue	<input type="checkbox"/> Red
<input type="checkbox"/> XM130 Kenda black			
<input type="checkbox"/> XM020 Schwalbe Marathon Plus	<input type="checkbox"/> XM060 Schwalbe One <i>(24",25" only)</i>		
<input type="checkbox"/> XM040 Shox solid airless <i>(Black) (24",25" only)</i>	<input type="checkbox"/> XM050 Kenda K885 mountain bike tyre <i>(24",25" only)</i>		
Inner Tube Valve Options			
<input type="checkbox"/> XY500 Schraeder inner tube valve <i>(Standard if no option selected)</i>		<input type="checkbox"/> XY490 Presta inner tube valve	
Wheel Accessories			
<input type="checkbox"/> XK310 Offroad wheel set 24" rim with handrim, MTB tyre and axle pins <i>(Replaces 25" wheel with XM010)</i>		<input type="checkbox"/> XK300 Offroad wheel set 22" rim with handrim, MTB tyre and axle pins <i>(Replaces 24" wheel with XM010)</i>	



**FINISH OPTIONS**

Frame & Component Finish

- |  |   |
|--|---|
| <input type="checkbox"/> XN010 Powder coated frame | <input type="checkbox"/> XN150 Powder coated components |
|--|---|
- | <table border="0"> <tr> <th>Frame</th> <th>Comp.</th> <th><u>Gloss</u></th> </tr> <tr><td><input type="checkbox"/></td><td><input type="checkbox"/></td><td>Black gloss 103</td></tr> <tr><td><input type="checkbox"/></td><td><input type="checkbox"/></td><td>White gloss 100</td></tr> <tr><td><input type="checkbox"/></td><td><input type="checkbox"/></td><td>Grey gloss 132</td></tr> <tr><td><input type="checkbox"/></td><td><input type="checkbox"/></td><td>Cream gloss 135</td></tr> <tr><td><input type="checkbox"/></td><td><input type="checkbox"/></td><td>Red gloss 108</td></tr> <tr><td><input type="checkbox"/></td><td><input type="checkbox"/></td><td>Yellow gloss 120</td></tr> <tr><td><input type="checkbox"/></td><td><input type="checkbox"/></td><td>Forest green gloss 143</td></tr> <tr><td><input type="checkbox"/></td><td><input type="checkbox"/></td><td>Green gloss 107</td></tr> <tr><td><input type="checkbox"/></td><td><input type="checkbox"/></td><td>Dark blue gloss 151</td></tr> <tr><td><input type="checkbox"/></td><td><input type="checkbox"/></td><td>Royal blue gloss 154</td></tr> <tr><td><input type="checkbox"/></td><td><input type="checkbox"/></td><td>Blue gloss 174</td></tr> <tr><td><input type="checkbox"/></td><td><input type="checkbox"/></td><td>Duckegg blue gloss 141</td></tr> <tr><td><input type="checkbox"/></td><td><input type="checkbox"/></td><td>Pink gloss 188</td></tr> <tr><td><input type="checkbox"/></td><td><input type="checkbox"/></td><td>Orange gloss 180</td></tr> <tr><td><input type="checkbox"/></td><td><input type="checkbox"/></td><td>Purple gloss 157</td></tr> </table> | Frame                    | Comp.                   | <u>Gloss</u> | <input type="checkbox"/> | <input type="checkbox"/> | Black gloss 103 | <input type="checkbox"/> | <input type="checkbox"/> | White gloss 100 | <input type="checkbox"/> | <input type="checkbox"/> | Grey gloss 132 | <input type="checkbox"/> | <input type="checkbox"/> | Cream gloss 135 | <input type="checkbox"/> | <input type="checkbox"/> | Red gloss 108 | <input type="checkbox"/> | <input type="checkbox"/> | Yellow gloss 120 | <input type="checkbox"/> | <input type="checkbox"/> | Forest green gloss 143 | <input type="checkbox"/> | <input type="checkbox"/> | Green gloss 107 | <input type="checkbox"/> | <input type="checkbox"/> | Dark blue gloss 151 | <input type="checkbox"/> | <input type="checkbox"/> | Royal blue gloss 154 | <input type="checkbox"/> | <input type="checkbox"/> | Blue gloss 174 | <input type="checkbox"/> | <input type="checkbox"/> | Duckegg blue gloss 141 | <input type="checkbox"/> | <input type="checkbox"/> | Pink gloss 188 | <input type="checkbox"/> | <input type="checkbox"/> | Orange gloss 180 | <input type="checkbox"/> | <input type="checkbox"/> | Purple gloss 157 | <table border="0"> <tr> <th>Frame</th> <th>Comp.</th> <th><u>Matt</u></th> </tr> <tr><td><input type="checkbox"/></td><td><input type="checkbox"/></td><td>Black matt 105</td></tr> <tr><td><input type="checkbox"/></td><td><input type="checkbox"/></td><td>White matt 101</td></tr> <tr><td><input type="checkbox"/></td><td><input type="checkbox"/></td><td>Grey matt 131</td></tr> <tr><td><input type="checkbox"/></td><td><input type="checkbox"/></td><td>Light grey matt 133</td></tr> <tr><td><input type="checkbox"/></td><td><input type="checkbox"/></td><td>Navy blue matt 152</td></tr> </table> | Frame | Comp. | <u>Matt</u> | <input type="checkbox"/> | <input type="checkbox"/> | Black matt 105 | <input type="checkbox"/> | <input type="checkbox"/> | White matt 101 | <input type="checkbox"/> | <input type="checkbox"/> | Grey matt 131 | <input type="checkbox"/> | <input type="checkbox"/> | Light grey matt 133 | <input type="checkbox"/> | <input type="checkbox"/> | Navy blue matt 152 | <table border="0"> <tr> <th>Frame</th> <th>Comp.</th> <th><u>Special</u></th> </tr> <tr><td><input type="checkbox"/></td><td><input type="checkbox"/></td><td>Chrome Mirror 300</td></tr> <tr><td><input type="checkbox"/></td><td><input type="checkbox"/></td><td>Sparkle silver 170</td></tr> <tr><td><input type="checkbox"/></td><td><input type="checkbox"/></td><td>Metallic black matt 104</td></tr> <tr><td><input type="checkbox"/></td><td><input type="checkbox"/></td><td>Metallic grey matt 130</td></tr> <tr><td><input type="checkbox"/></td><td><input type="checkbox"/></td><td>Black sandpaper 201</td></tr> <tr><td><input type="checkbox"/></td><td><input type="checkbox"/></td><td>Grey sandpaper 202</td></tr> <tr><td><input type="checkbox"/></td><td><input type="checkbox"/></td><td>White sandpaper 200</td></tr> </table> | Frame | Comp. | <u>Special</u> | <input type="checkbox"/> | <input type="checkbox"/> | Chrome Mirror 300 | <input type="checkbox"/> | <input type="checkbox"/> | Sparkle silver 170 | <input type="checkbox"/> | <input type="checkbox"/> | Metallic black matt 104 | <input type="checkbox"/> | <input type="checkbox"/> | Metallic grey matt 130 | <input type="checkbox"/> | <input type="checkbox"/> | Black sandpaper 201 | <input type="checkbox"/> | <input type="checkbox"/> | Grey sandpaper 202 | <input type="checkbox"/> | <input type="checkbox"/> | White sandpaper 200 |
|---|--------------------------|-------------------------|--------------|--------------------------|--------------------------|-----------------|--------------------------|--------------------------|-----------------|--------------------------|--------------------------|----------------|--------------------------|--------------------------|-----------------|--------------------------|--------------------------|---------------|--------------------------|--------------------------|------------------|--------------------------|--------------------------|------------------------|--------------------------|--------------------------|-----------------|--------------------------|--------------------------|---------------------|--------------------------|--------------------------|----------------------|--------------------------|--------------------------|----------------|--------------------------|--------------------------|------------------------|--------------------------|--------------------------|----------------|--------------------------|--------------------------|------------------|--------------------------|--------------------------|------------------|--|-------|-------|-------------|--------------------------|--------------------------|----------------|--------------------------|--------------------------|----------------|--------------------------|--------------------------|---------------|--------------------------|--------------------------|---------------------|--------------------------|--------------------------|--------------------|---|-------|-------|----------------|--------------------------|--------------------------|-------------------|--------------------------|--------------------------|--------------------|--------------------------|--------------------------|-------------------------|--------------------------|--------------------------|------------------------|--------------------------|--------------------------|---------------------|--------------------------|--------------------------|--------------------|--------------------------|--------------------------|---------------------|
| Frame   | Comp.                    | <u>Gloss</u>            |              |                          |                          |                 |                          |                          |                 |                          |                          |                |                          |                          |                 |                          |                          |               |                          |                          |                  |                          |                          |                        |                          |                          |                 |                          |                          |                     |                          |                          |                      |                          |                          |                |                          |                          |                        |                          |                          |                |                          |                          |                  |                          |                          |                  |  |       |       |             |                          |                          |                |                          |                          |                |                          |                          |               |                          |                          |                     |                          |                          |                    |   |       |       |                |                          |                          |                   |                          |                          |                    |                          |                          |                         |                          |                          |                        |                          |                          |                     |                          |                          |                    |                          |                          |                     |
| <input type="checkbox"/>  | <input type="checkbox"/> | Black gloss 103         |              |                          |                          |                 |                          |                          |                 |                          |                          |                |                          |                          |                 |                          |                          |               |                          |                          |                  |                          |                          |                        |                          |                          |                 |                          |                          |                     |                          |                          |                      |                          |                          |                |                          |                          |                        |                          |                          |                |                          |                          |                  |                          |                          |                  |  |       |       |             |                          |                          |                |                          |                          |                |                          |                          |               |                          |                          |                     |                          |                          |                    |   |       |       |                |                          |                          |                   |                          |                          |                    |                          |                          |                         |                          |                          |                        |                          |                          |                     |                          |                          |                    |                          |                          |                     |
| <input type="checkbox"/>  | <input type="checkbox"/> | White gloss 100         |              |                          |                          |                 |                          |                          |                 |                          |                          |                |                          |                          |                 |                          |                          |               |                          |                          |                  |                          |                          |                        |                          |                          |                 |                          |                          |                     |                          |                          |                      |                          |                          |                |                          |                          |                        |                          |                          |                |                          |                          |                  |                          |                          |                  |  |       |       |             |                          |                          |                |                          |                          |                |                          |                          |               |                          |                          |                     |                          |                          |                    |   |       |       |                |                          |                          |                   |                          |                          |                    |                          |                          |                         |                          |                          |                        |                          |                          |                     |                          |                          |                    |                          |                          |                     |
| <input type="checkbox"/>  | <input type="checkbox"/> | Grey gloss 132          |              |                          |                          |                 |                          |                          |                 |                          |                          |                |                          |                          |                 |                          |                          |               |                          |                          |                  |                          |                          |                        |                          |                          |                 |                          |                          |                     |                          |                          |                      |                          |                          |                |                          |                          |                        |                          |                          |                |                          |                          |                  |                          |                          |                  |  |       |       |             |                          |                          |                |                          |                          |                |                          |                          |               |                          |                          |                     |                          |                          |                    |   |       |       |                |                          |                          |                   |                          |                          |                    |                          |                          |                         |                          |                          |                        |                          |                          |                     |                          |                          |                    |                          |                          |                     |
| <input type="checkbox"/>  | <input type="checkbox"/> | Cream gloss 135         |              |                          |                          |                 |                          |                          |                 |                          |                          |                |                          |                          |                 |                          |                          |               |                          |                          |                  |                          |                          |                        |                          |                          |                 |                          |                          |                     |                          |                          |                      |                          |                          |                |                          |                          |                        |                          |                          |                |                          |                          |                  |                          |                          |                  |  |       |       |             |                          |                          |                |                          |                          |                |                          |                          |               |                          |                          |                     |                          |                          |                    |   |       |       |                |                          |                          |                   |                          |                          |                    |                          |                          |                         |                          |                          |                        |                          |                          |                     |                          |                          |                    |                          |                          |                     |
| <input type="checkbox"/>  | <input type="checkbox"/> | Red gloss 108           |              |                          |                          |                 |                          |                          |                 |                          |                          |                |                          |                          |                 |                          |                          |               |                          |                          |                  |                          |                          |                        |                          |                          |                 |                          |                          |                     |                          |                          |                      |                          |                          |                |                          |                          |                        |                          |                          |                |                          |                          |                  |                          |                          |                  |  |       |       |             |                          |                          |                |                          |                          |                |                          |                          |               |                          |                          |                     |                          |                          |                    |   |       |       |                |                          |                          |                   |                          |                          |                    |                          |                          |                         |                          |                          |                        |                          |                          |                     |                          |                          |                    |                          |                          |                     |
| <input type="checkbox"/>  | <input type="checkbox"/> | Yellow gloss 120        |              |                          |                          |                 |                          |                          |                 |                          |                          |                |                          |                          |                 |                          |                          |               |                          |                          |                  |                          |                          |                        |                          |                          |                 |                          |                          |                     |                          |                          |                      |                          |                          |                |                          |                          |                        |                          |                          |                |                          |                          |                  |                          |                          |                  |  |       |       |             |                          |                          |                |                          |                          |                |                          |                          |               |                          |                          |                     |                          |                          |                    |   |       |       |                |                          |                          |                   |                          |                          |                    |                          |                          |                         |                          |                          |                        |                          |                          |                     |                          |                          |                    |                          |                          |                     |
| <input type="checkbox"/>  | <input type="checkbox"/> | Forest green gloss 143  |              |                          |                          |                 |                          |                          |                 |                          |                          |                |                          |                          |                 |                          |                          |               |                          |                          |                  |                          |                          |                        |                          |                          |                 |                          |                          |                     |                          |                          |                      |                          |                          |                |                          |                          |                        |                          |                          |                |                          |                          |                  |                          |                          |                  |  |       |       |             |                          |                          |                |                          |                          |                |                          |                          |               |                          |                          |                     |                          |                          |                    |   |       |       |                |                          |                          |                   |                          |                          |                    |                          |                          |                         |                          |                          |                        |                          |                          |                     |                          |                          |                    |                          |                          |                     |
| <input type="checkbox"/>  | <input type="checkbox"/> | Green gloss 107         |              |                          |                          |                 |                          |                          |                 |                          |                          |                |                          |                          |                 |                          |                          |               |                          |                          |                  |                          |                          |                        |                          |                          |                 |                          |                          |                     |                          |                          |                      |                          |                          |                |                          |                          |                        |                          |                          |                |                          |                          |                  |                          |                          |                  |  |       |       |             |                          |                          |                |                          |                          |                |                          |                          |               |                          |                          |                     |                          |                          |                    |   |       |       |                |                          |                          |                   |                          |                          |                    |                          |                          |                         |                          |                          |                        |                          |                          |                     |                          |                          |                    |                          |                          |                     |
| <input type="checkbox"/>  | <input type="checkbox"/> | Dark blue gloss 151     |              |                          |                          |                 |                          |                          |                 |                          |                          |                |                          |                          |                 |                          |                          |               |                          |                          |                  |                          |                          |                        |                          |                          |                 |                          |                          |                     |                          |                          |                      |                          |                          |                |                          |                          |                        |                          |                          |                |                          |                          |                  |                          |                          |                  |  |       |       |             |                          |                          |                |                          |                          |                |                          |                          |               |                          |                          |                     |                          |                          |                    |   |       |       |                |                          |                          |                   |                          |                          |                    |                          |                          |                         |                          |                          |                        |                          |                          |                     |                          |                          |                    |                          |                          |                     |
| <input type="checkbox"/>  | <input type="checkbox"/> | Royal blue gloss 154    |              |                          |                          |                 |                          |                          |                 |                          |                          |                |                          |                          |                 |                          |                          |               |                          |                          |                  |                          |                          |                        |                          |                          |                 |                          |                          |                     |                          |                          |                      |                          |                          |                |                          |                          |                        |                          |                          |                |                          |                          |                  |                          |                          |                  |  |       |       |             |                          |                          |                |                          |                          |                |                          |                          |               |                          |                          |                     |                          |                          |                    |   |       |       |                |                          |                          |                   |                          |                          |                    |                          |                          |                         |                          |                          |                        |                          |                          |                     |                          |                          |                    |                          |                          |                     |
| <input type="checkbox"/>  | <input type="checkbox"/> | Blue gloss 174          |              |                          |                          |                 |                          |                          |                 |                          |                          |                |                          |                          |                 |                          |                          |               |                          |                          |                  |                          |                          |                        |                          |                          |                 |                          |                          |                     |                          |                          |                      |                          |                          |                |                          |                          |                        |                          |                          |                |                          |                          |                  |                          |                          |                  |  |       |       |             |                          |                          |                |                          |                          |                |                          |                          |               |                          |                          |                     |                          |                          |                    |   |       |       |                |                          |                          |                   |                          |                          |                    |                          |                          |                         |                          |                          |                        |                          |                          |                     |                          |                          |                    |                          |                          |                     |
| <input type="checkbox"/>  | <input type="checkbox"/> | Duckegg blue gloss 141  |              |                          |                          |                 |                          |                          |                 |                          |                          |                |                          |                          |                 |                          |                          |               |                          |                          |                  |                          |                          |                        |                          |                          |                 |                          |                          |                     |                          |                          |                      |                          |                          |                |                          |                          |                        |                          |                          |                |                          |                          |                  |                          |                          |                  |  |       |       |             |                          |                          |                |                          |                          |                |                          |                          |               |                          |                          |                     |                          |                          |                    |   |       |       |                |                          |                          |                   |                          |                          |                    |                          |                          |                         |                          |                          |                        |                          |                          |                     |                          |                          |                    |                          |                          |                     |
| <input type="checkbox"/>  | <input type="checkbox"/> | Pink gloss 188          |              |                          |                          |                 |                          |                          |                 |                          |                          |                |                          |                          |                 |                          |                          |               |                          |                          |                  |                          |                          |                        |                          |                          |                 |                          |                          |                     |                          |                          |                      |                          |                          |                |                          |                          |                        |                          |                          |                |                          |                          |                  |                          |                          |                  |  |       |       |             |                          |                          |                |                          |                          |                |                          |                          |               |                          |                          |                     |                          |                          |                    |   |       |       |                |                          |                          |                   |                          |                          |                    |                          |                          |                         |                          |                          |                        |                          |                          |                     |                          |                          |                    |                          |                          |                     |
| <input type="checkbox"/>  | <input type="checkbox"/> | Orange gloss 180        |              |                          |                          |                 |                          |                          |                 |                          |                          |                |                          |                          |                 |                          |                          |               |                          |                          |                  |                          |                          |                        |                          |                          |                 |                          |                          |                     |                          |                          |                      |                          |                          |                |                          |                          |                        |                          |                          |                |                          |                          |                  |                          |                          |                  |  |       |       |             |                          |                          |                |                          |                          |                |                          |                          |               |                          |                          |                     |                          |                          |                    |   |       |       |                |                          |                          |                   |                          |                          |                    |                          |                          |                         |                          |                          |                        |                          |                          |                     |                          |                          |                    |                          |                          |                     |
| <input type="checkbox"/>  | <input type="checkbox"/> | Purple gloss 157        |              |                          |                          |                 |                          |                          |                 |                          |                          |                |                          |                          |                 |                          |                          |               |                          |                          |                  |                          |                          |                        |                          |                          |                 |                          |                          |                     |                          |                          |                      |                          |                          |                |                          |                          |                        |                          |                          |                |                          |                          |                  |                          |                          |                  |  |       |       |             |                          |                          |                |                          |                          |                |                          |                          |               |                          |                          |                     |                          |                          |                    |   |       |       |                |                          |                          |                   |                          |                          |                    |                          |                          |                         |                          |                          |                        |                          |                          |                     |                          |                          |                    |                          |                          |                     |
| Frame   | Comp.                    | <u>Matt</u>             |              |                          |                          |                 |                          |                          |                 |                          |                          |                |                          |                          |                 |                          |                          |               |                          |                          |                  |                          |                          |                        |                          |                          |                 |                          |                          |                     |                          |                          |                      |                          |                          |                |                          |                          |                        |                          |                          |                |                          |                          |                  |                          |                          |                  |  |       |       |             |                          |                          |                |                          |                          |                |                          |                          |               |                          |                          |                     |                          |                          |                    |   |       |       |                |                          |                          |                   |                          |                          |                    |                          |                          |                         |                          |                          |                        |                          |                          |                     |                          |                          |                    |                          |                          |                     |
| <input type="checkbox"/>  | <input type="checkbox"/> | Black matt 105          |              |                          |                          |                 |                          |                          |                 |                          |                          |                |                          |                          |                 |                          |                          |               |                          |                          |                  |                          |                          |                        |                          |                          |                 |                          |                          |                     |                          |                          |                      |                          |                          |                |                          |                          |                        |                          |                          |                |                          |                          |                  |                          |                          |                  |  |       |       |             |                          |                          |                |                          |                          |                |                          |                          |               |                          |                          |                     |                          |                          |                    |   |       |       |                |                          |                          |                   |                          |                          |                    |                          |                          |                         |                          |                          |                        |                          |                          |                     |                          |                          |                    |                          |                          |                     |
| <input type="checkbox"/>  | <input type="checkbox"/> | White matt 101          |              |                          |                          |                 |                          |                          |                 |                          |                          |                |                          |                          |                 |                          |                          |               |                          |                          |                  |                          |                          |                        |                          |                          |                 |                          |                          |                     |                          |                          |                      |                          |                          |                |                          |                          |                        |                          |                          |                |                          |                          |                  |                          |                          |                  |  |       |       |             |                          |                          |                |                          |                          |                |                          |                          |               |                          |                          |                     |                          |                          |                    |   |       |       |                |                          |                          |                   |                          |                          |                    |                          |                          |                         |                          |                          |                        |                          |                          |                     |                          |                          |                    |                          |                          |                     |
| <input type="checkbox"/>  | <input type="checkbox"/> | Grey matt 131           |              |                          |                          |                 |                          |                          |                 |                          |                          |                |                          |                          |                 |                          |                          |               |                          |                          |                  |                          |                          |                        |                          |                          |                 |                          |                          |                     |                          |                          |                      |                          |                          |                |                          |                          |                        |                          |                          |                |                          |                          |                  |                          |                          |                  |  |       |       |             |                          |                          |                |                          |                          |                |                          |                          |               |                          |                          |                     |                          |                          |                    |   |       |       |                |                          |                          |                   |                          |                          |                    |                          |                          |                         |                          |                          |                        |                          |                          |                     |                          |                          |                    |                          |                          |                     |
| <input type="checkbox"/>  | <input type="checkbox"/> | Light grey matt 133     |              |                          |                          |                 |                          |                          |                 |                          |                          |                |                          |                          |                 |                          |                          |               |                          |                          |                  |                          |                          |                        |                          |                          |                 |                          |                          |                     |                          |                          |                      |                          |                          |                |                          |                          |                        |                          |                          |                |                          |                          |                  |                          |                          |                  |  |       |       |             |                          |                          |                |                          |                          |                |                          |                          |               |                          |                          |                     |                          |                          |                    |   |       |       |                |                          |                          |                   |                          |                          |                    |                          |                          |                         |                          |                          |                        |                          |                          |                     |                          |                          |                    |                          |                          |                     |
| <input type="checkbox"/>  | <input type="checkbox"/> | Navy blue matt 152      |              |                          |                          |                 |                          |                          |                 |                          |                          |                |                          |                          |                 |                          |                          |               |                          |                          |                  |                          |                          |                        |                          |                          |                 |                          |                          |                     |                          |                          |                      |                          |                          |                |                          |                          |                        |                          |                          |                |                          |                          |                  |                          |                          |                  |  |       |       |             |                          |                          |                |                          |                          |                |                          |                          |               |                          |                          |                     |                          |                          |                    |   |       |       |                |                          |                          |                   |                          |                          |                    |                          |                          |                         |                          |                          |                        |                          |                          |                     |                          |                          |                    |                          |                          |                     |
| Frame   | Comp.                    | <u>Special</u>          |              |                          |                          |                 |                          |                          |                 |                          |                          |                |                          |                          |                 |                          |                          |               |                          |                          |                  |                          |                          |                        |                          |                          |                 |                          |                          |                     |                          |                          |                      |                          |                          |                |                          |                          |                        |                          |                          |                |                          |                          |                  |                          |                          |                  |  |       |       |             |                          |                          |                |                          |                          |                |                          |                          |               |                          |                          |                     |                          |                          |                    |   |       |       |                |                          |                          |                   |                          |                          |                    |                          |                          |                         |                          |                          |                        |                          |                          |                     |                          |                          |                    |                          |                          |                     |
| <input type="checkbox"/>  | <input type="checkbox"/> | Chrome Mirror 300       |              |                          |                          |                 |                          |                          |                 |                          |                          |                |                          |                          |                 |                          |                          |               |                          |                          |                  |                          |                          |                        |                          |                          |                 |                          |                          |                     |                          |                          |                      |                          |                          |                |                          |                          |                        |                          |                          |                |                          |                          |                  |                          |                          |                  |  |       |       |             |                          |                          |                |                          |                          |                |                          |                          |               |                          |                          |                     |                          |                          |                    |   |       |       |                |                          |                          |                   |                          |                          |                    |                          |                          |                         |                          |                          |                        |                          |                          |                     |                          |                          |                    |                          |                          |                     |
| <input type="checkbox"/>  | <input type="checkbox"/> | Sparkle silver 170      |              |                          |                          |                 |                          |                          |                 |                          |                          |                |                          |                          |                 |                          |                          |               |                          |                          |                  |                          |                          |                        |                          |                          |                 |                          |                          |                     |                          |                          |                      |                          |                          |                |                          |                          |                        |                          |                          |                |                          |                          |                  |                          |                          |                  |  |       |       |             |                          |                          |                |                          |                          |                |                          |                          |               |                          |                          |                     |                          |                          |                    |   |       |       |                |                          |                          |                   |                          |                          |                    |                          |                          |                         |                          |                          |                        |                          |                          |                     |                          |                          |                    |                          |                          |                     |
| <input type="checkbox"/>  | <input type="checkbox"/> | Metallic black matt 104 |              |                          |                          |                 |                          |                          |                 |                          |                          |                |                          |                          |                 |                          |                          |               |                          |                          |                  |                          |                          |                        |                          |                          |                 |                          |                          |                     |                          |                          |                      |                          |                          |                |                          |                          |                        |                          |                          |                |                          |                          |                  |                          |                          |                  |  |       |       |             |                          |                          |                |                          |                          |                |                          |                          |               |                          |                          |                     |                          |                          |                    |   |       |       |                |                          |                          |                   |                          |                          |                    |                          |                          |                         |                          |                          |                        |                          |                          |                     |                          |                          |                    |                          |                          |                     |
| <input type="checkbox"/>  | <input type="checkbox"/> | Metallic grey matt 130  |              |                          |                          |                 |                          |                          |                 |                          |                          |                |                          |                          |                 |                          |                          |               |                          |                          |                  |                          |                          |                        |                          |                          |                 |                          |                          |                     |                          |                          |                      |                          |                          |                |                          |                          |                        |                          |                          |                |                          |                          |                  |                          |                          |                  |  |       |       |             |                          |                          |                |                          |                          |                |                          |                          |               |                          |                          |                     |                          |                          |                    |   |       |       |                |                          |                          |                   |                          |                          |                    |                          |                          |                         |                          |                          |                        |                          |                          |                     |                          |                          |                    |                          |                          |                     |
| <input type="checkbox"/>  | <input type="checkbox"/> | Black sandpaper 201     |              |                          |                          |                 |                          |                          |                 |                          |                          |                |                          |                          |                 |                          |                          |               |                          |                          |                  |                          |                          |                        |                          |                          |                 |                          |                          |                     |                          |                          |                      |                          |                          |                |                          |                          |                        |                          |                          |                |                          |                          |                  |                          |                          |                  |  |       |       |             |                          |                          |                |                          |                          |                |                          |                          |               |                          |                          |                     |                          |                          |                    |   |       |       |                |                          |                          |                   |                          |                          |                    |                          |                          |                         |                          |                          |                        |                          |                          |                     |                          |                          |                    |                          |                          |                     |
| <input type="checkbox"/>  | <input type="checkbox"/> | Grey sandpaper 202      |              |                          |                          |                 |                          |                          |                 |                          |                          |                |                          |                          |                 |                          |                          |               |                          |                          |                  |                          |                          |                        |                          |                          |                 |                          |                          |                     |                          |                          |                      |                          |                          |                |                          |                          |                        |                          |                          |                |                          |                          |                  |                          |                          |                  |  |       |       |             |                          |                          |                |                          |                          |                |                          |                          |               |                          |                          |                     |                          |                          |                    |   |       |       |                |                          |                          |                   |                          |                          |                    |                          |                          |                         |                          |                          |                        |                          |                          |                     |                          |                          |                    |                          |                          |                     |
| <input type="checkbox"/>  | <input type="checkbox"/> | White sandpaper 200     |              |                          |                          |                 |                          |                          |                 |                          |                          |                |                          |                          |                 |                          |                          |               |                          |                          |                  |                          |                          |                        |                          |                          |                 |                          |                          |                     |                          |                          |                      |                          |                          |                |                          |                          |                        |                          |                          |                |                          |                          |                  |                          |                          |                  |  |       |       |             |                          |                          |                |                          |                          |                |                          |                          |               |                          |                          |                     |                          |                          |                    |   |       |       |                |                          |                          |                   |                          |                          |                    |                          |                          |                         |                          |                          |                        |                          |                          |                     |                          |                          |                    |                          |                          |                     |
- Custom
- XN200 Custom paint colour
- |                          |                          |  |
|--------------------------|--------------------------|--|
| Frame                    | Comp.                    | Select colour/RAL:   |
| <input type="checkbox"/> | <input type="checkbox"/> | <div style="border: 1px solid black; width: 100px; height: 40px;"></div> |
- |   |   |
|---|---|
| <input type="radio"/> FXTXN030 Brushed frame  | <input type="radio"/> XN160 Brushed components  |
| <input type="radio"/> FXTXN050 Polished frame | <input type="radio"/> XN170 Polished components |

Accent Colour (Choose One)

**Note:** Accent colour includes forks only

- |  |  |
|--|--|
| <input type="checkbox"/> Black accent  | <input type="checkbox"/> Silver accent |
| <input type="checkbox"/> Red accent    | <input type="checkbox"/> Blue accent   |
| <input type="checkbox"/> Purple accent |  |

**UPHOLSTERY**

Seat Upholstery

- |  |   |
|--|---|
| <input type="checkbox"/> XP040 Seat sling adjustable tension with straps | <input type="radio"/> XR050 Carbon fibre seat plate |
| <input type="radio"/> FTXXP045 Seat sling adjustable sub4                |   |

Backrest Upholstery

- |   |   |
|---|---|
| <input checked="" type="checkbox"/> XP050 Airtech backrest strap adjustable | <input type="radio"/> XP060 Backrest upgrade to full leather (select colour)                                      |
| <input type="radio"/> FTXXP035 Airtech sub4 backrest strap adjustable       | <input type="radio"/> XP070 Backrest upgrade to leather corners (not with flip down push handles) (select colour) |
|   | <input type="checkbox"/> Black (std) <input type="checkbox"/> Red   |

Backrest Upholstery Stitching Options

- |   |                                     |                                 |
|---|-------------------------------------|---------------------------------|
| <input type="checkbox"/> Silver (Standard if not indicated) | <input type="checkbox"/> Black      | <input type="checkbox"/> Blue   |
| <input type="checkbox"/> Red                                | <input type="checkbox"/> Light blue | <input type="checkbox"/> Purple |

Backrest Upholstery Logo Options

- |   |                                     |                                 |
|---|-------------------------------------|---------------------------------|
| <input type="checkbox"/> Silver (Standard if not indicated) | <input type="checkbox"/> Black      | <input type="checkbox"/> Blue   |
| <input type="checkbox"/> Red                                | <input type="checkbox"/> Light blue | <input type="checkbox"/> Purple |

Backrest Accessories

- |   |   |
|---|---|
| <input type="radio"/> XP110 Backrest with zip pocket (N/A with Sub4 backrest) | <input type="radio"/> XP170 Individual backrest embroidery (N/A with Sub4 backrest) (Please provide .jpeg file and positioning) |
|---|---|

**CUSHION**

Cushion foam options

- XP080 Cushion foam with nylon cover  
(select density and size below)
- Soft (CMS040)
- Medium (CMS050)
- Hard (9lb recon)
- 50mm
- 75mm
- 100mm

Cushion cover options

- XP090 Air Lite cushion cover  
(Black)
- XP100 Leather cushion cover  
(select colour below)
- Black (std)
- Red

Jay Cushion

- XP250 JAY Extreme Active fluid pad  
(Price subject to change dependant on size)
- XP251 JAY Easy Visco  
(Price subject to change dependant on size)

select size

select size

Other Jay cushion, please specify code, cost, size and description:

**ACCESSORIES**

- XR080 Frontwheel assembly  
(Only with XB010, TGAXB080, XB150)

(Office use only)

Frontwheel serial number:

- XP120 Frame protectors neoprene zip fasten
- XR010 Seat pouch velcro attach (Black)
- XR200 Rucksack with RGK logo (Black)
- XR100 FX carry bag
- XR090 Tool kit
- XS060 Calf strap

Total Value:

**NOTES**

Empty rectangular box for notes.

Grid area for notes.

**Data Privacy - Customer Order Forms**

This data privacy notice tells you about the personal data we collect from you when you purchase one or more of our products. In collecting this personal data, we are acting as a data controller and, by law, we are required to provide you with information about us, about why and how we use your data, and about the rights you have over your data.

**Who are we?**

We are RGK Wheelchairs. Our address is Units 8a/b/c Ring Road, Zone 2, Burntwood Business Park, Burntwood, Staffordshire, WS7 3JQ UK

You can contact us by post at the above address, by email at [data.enquiries@rgklife.com](mailto:data.enquiries@rgklife.com) or by telephone on +44 (0)1543 670077 - Any enquiries about our use of your personal data should use the contact details above.

**What personal data do we collect?**

When you purchase products from us, we ask you for your name, address, contact telephone number, email address. Where necessary some personal details such as; height, weight, limb measurements and any disability or disease will be required. To fulfil your order (unless under contract) we will also need your bank account details.

**Why do we collect this personal data?**

We will use your personal data to allow the configuration and/or customisation of your purchase, process your order and to send you your goods. We will also send you an invoice and a delivery note. If we have a question about your delivery we will use your telephone number or email address to contact you.

We process special personal data (Health) for the purposes of the provision of healthcare treatment and manufacturing of your product. The Lawful basis for processing normal personal data is Legitimate Interest this enables us to complete your order, process your payment, deliver your goods and fulfil our contract with you.

**What do we do with your information?**

Your information is stored in our order processing system which is based within the European Union.

We use a third-party courier companies to deliver your goods and we share with them your name, address and telephone number in order to complete the delivery.

We do not use the personal data you provide to make any automated decisions that might affect you. Your data will be shared with an external dealer (if required) and internally with our Sales Team, Customer Services, Financial Services and Quality/Warranty departments to enable fulfilment of your order and provide support services.

**How long do we keep your personal data for?**

Your non-financial data will be stored for the period of the warranty of the particular product purchased for a maximum of five years.

Your financial data will be stored for seven years as is required by UK Law.

**Your rights over your personal data**

By law, you can ask us what personal data we hold about you. You can request a copy, correct it if it is inaccurate, request we erase it, and transfer a copy to another data controller.

You can also ask us to stop using your data if you believe we are not processing it lawfully.

To submit a request by email, post or telephone, please use the contact information provided in the 'Who are we?' section.

**Your right to complain**

If you have a complaint about our use of your information, you can contact the Information Commissioner's Office via their website at [www.ico.org/concerns](http://www.ico.org/concerns) or write to them at:

Information Commissioner's Office  
Wycliffe House  
Water Lane  
Wilmslow  
Cheshire  
SK9 5AF