



spex

Shaping Better Lives

Seat Base

Carer-friendly and
growth-adjustable
seat base for
ultimate
positioning



Seat Base

The latest wheelchair positioning base from Spex

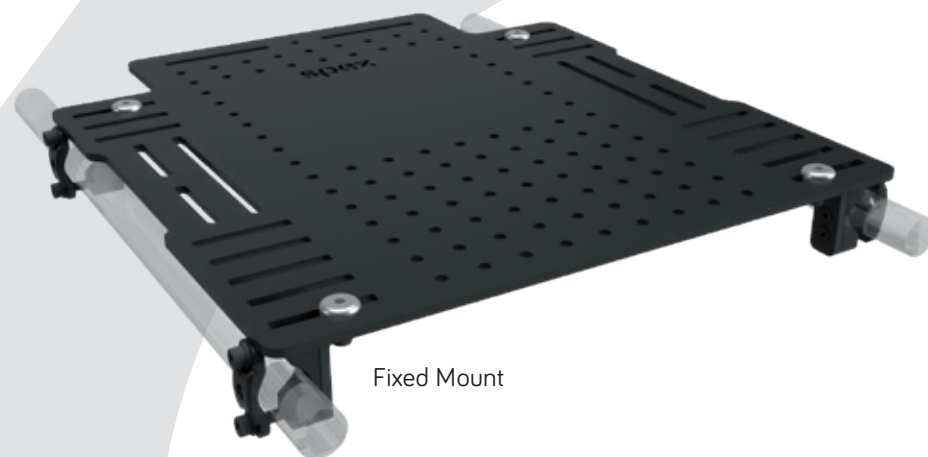
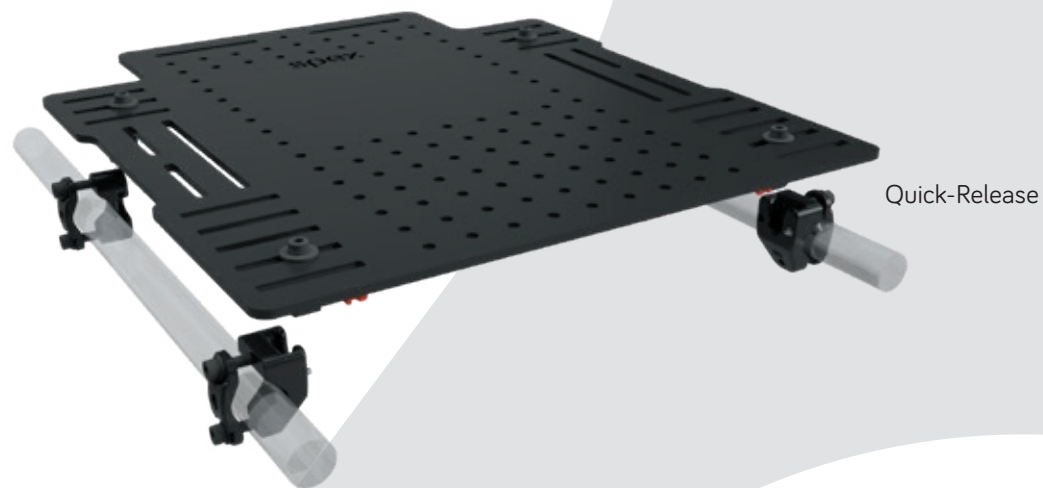
Give your wheelchair an enhanced postural support foundation with the Spex Seat Base.

This aluminium seat base with 4 points of fixation gives you the flexibility to complement your seating system with other Spex auxiliary postural supports.

The Seat Base provides stability and a solid foundation for the cushion to keep its integrity and ensure no sag develops over time. This will also allow for an even pressure distribution across the entire surface.

Two hardware mounting options are available: Quick-Release for folding frames and ease of use, or the cost-effective Fixed Mount option for rigid frames.

Enjoy the new and innovative Quick-Release hardware. It's versatile and multifunctional hardware allows installation to a range of wheelchair frames incorporating tubular canes from 19-30mm in diameter.





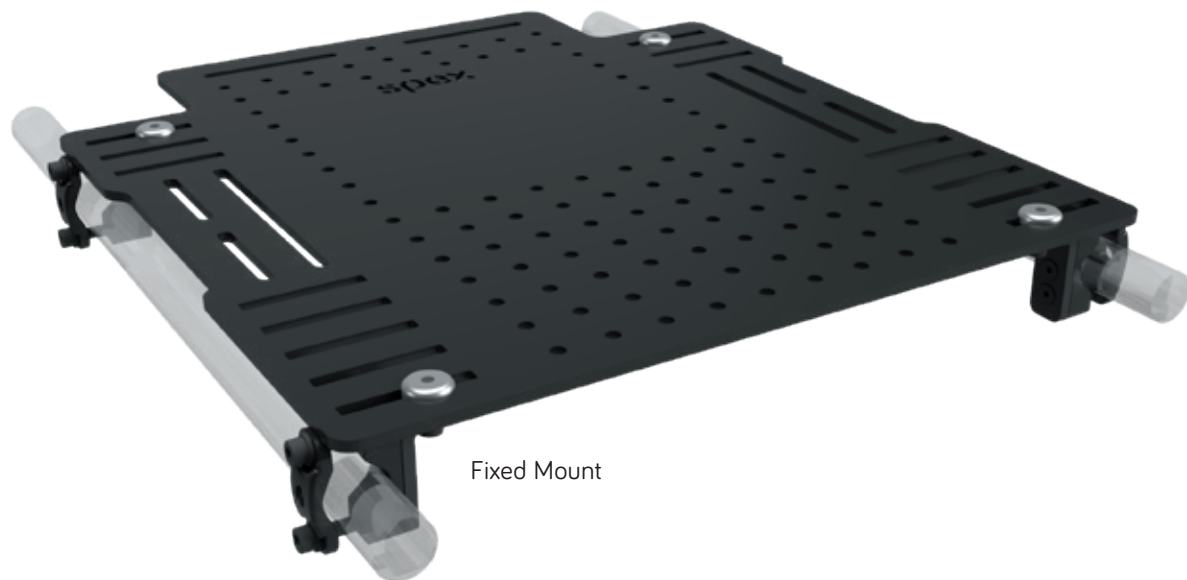
Clinically correct positioning & stability

- Provides stability and a solid foundation for the cushion to ensure no sag is developed overtime, thus, preventing internal rotation of the hips.
- Allows for even pressure distribution throughout the entire cushion, avoiding pressure points in any specific area
- Ensures stability for build-up of positioning cushions.

User and caregiver friendly design

- **Best of both worlds:** retain flexibility of your folding wheelchair but have the benefit of a fast removal base so you do not have to remove any components for folding.
- **Fast two switch installation and removal:** the newly designed Quick-Release hardware features two switches you flick up to remove and self-engage when installing.
- **Suitable for those with limited hand function** as switches can be bumped to release.
- **Leave your cushion installed:** with easier removal of the seat base, you no longer have to remove the cushion and can leave it in place.
- **Cushion retainer brackets:** If you do need to remove the cushion, unique retainer brackets create a stop for the cushion so that you know where to position the cushion back in place.





Fixed Mount



Quick-Release

Innovative hardware with versatile design

- **Two hardware options:** Fixed Mount and Quick-Release. Quick-Release for full functionality or Fixed Mount for lower cost and lightweight option.
- **Fits to a large number of wheelchair designs:** capable of fitting on wheelchair canes 19-30mm tube diameter.
- **Quick release hardware self-locking pins:** the quick release hardware features self-locking pins making it easy to lock in and release – simply slide in and clip down!
- **Easy to clean and maintain:** keep your seat base looking clean with the quick release hardware having sockets that feature a hygienic self-draining design so dirt does not get trapped.

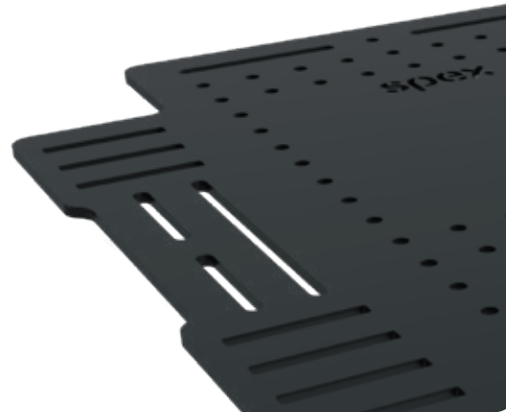
Foundation for positioning requirements

Keeping it neat and tidy with a re-engineered single-piece design making a sturdy base of support to build your postural foundation.



Ease of mounting

Grid of hole positions for ease of mounting auxiliary postural supports such as thigh, arm and medial knee/thigh supports.



Easy placement

Side and front slots are cut into the design for easy placement of positioning belts and accessories.



Fits to range of models

Can be fitted to a range of different wheelchair models and brands due to the side indents which accommodates variants of cane designs. Rear cut out sections fit around the back support canes.



Hip belt installation

Spex positioning hip belts can be installed directly to the seat base mount by utilising the hip belt triangle mounting plates (no extra component required for installation).

Quick-Release

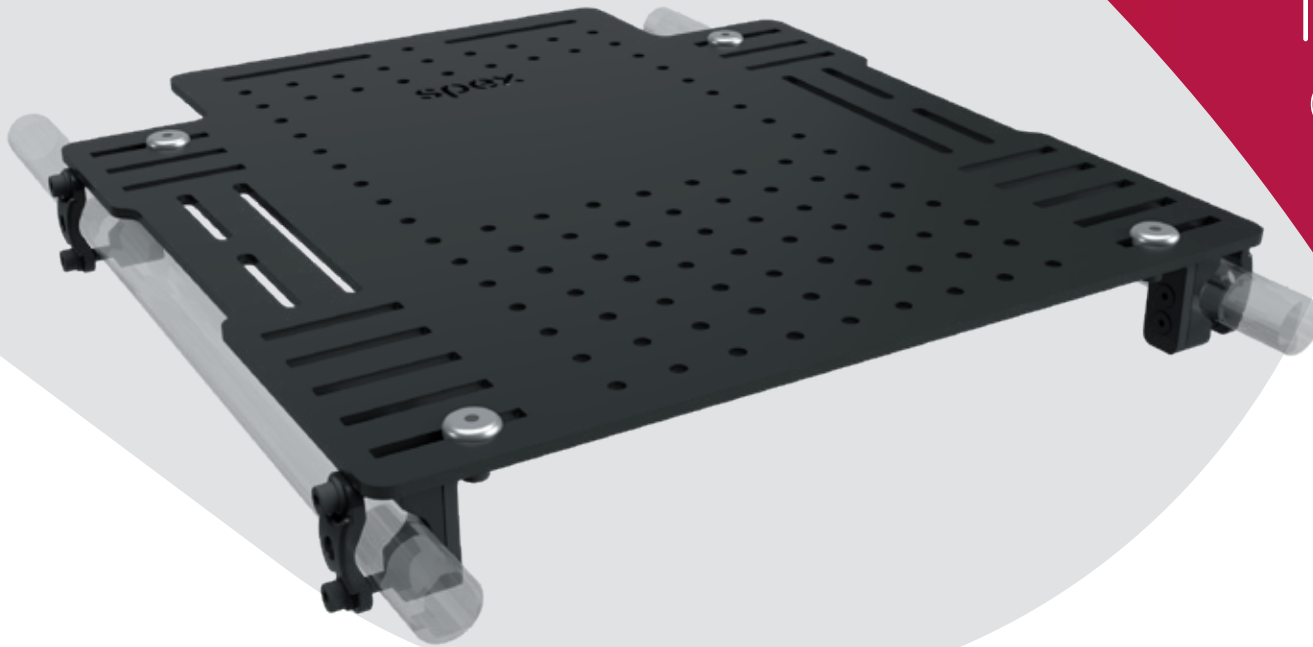
For folding frames and full functionality

- **Best of both worlds:** retain flexibility of your folding wheelchair but have the benefit of a fast removal base so you do not have to remove any components for folding.
- **Fast two switch installation and removal:** the newly designed Quick-Release hardware features two switches you flick up to remove and self-engage when installing.
- **Suitable for those with limited hand function** as switches can be bumped to release.



Fixed Mount

Cost-effective, lightweight option



- **Fixed Mount hardware is 100 grams lighter** than Quick-Release, making it a suitable option where weight is an issue.
- **Excellent for rigid wheelchairs** where the base does not need to be removed.

spex

Seat Base Specifications

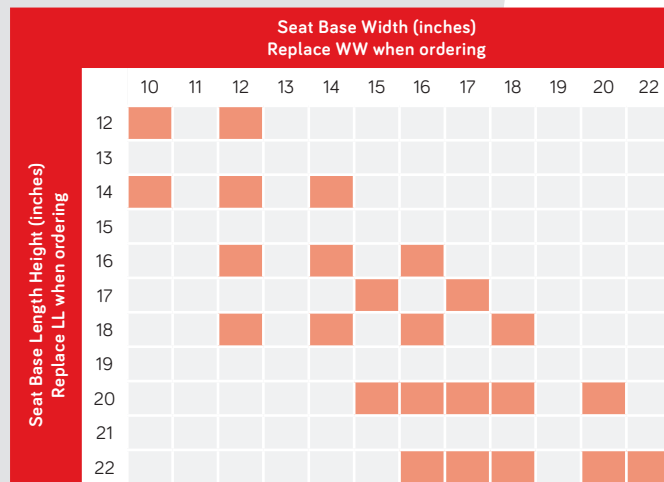
Width adjustment for growth

Built in width adjustment for future growth, allowing the Seat Base to be fitted to different size wheelchairs.

	Wheelchair Compatibility		Code
	10" - 20"	21" & up	
FIXED MOUNT	-0" to +2"	-0" to +1"	1008-WWLL-FXB
QUICK-RELEASE	-1 to +2"	-1 to +1"	1008-WWLL-QRB



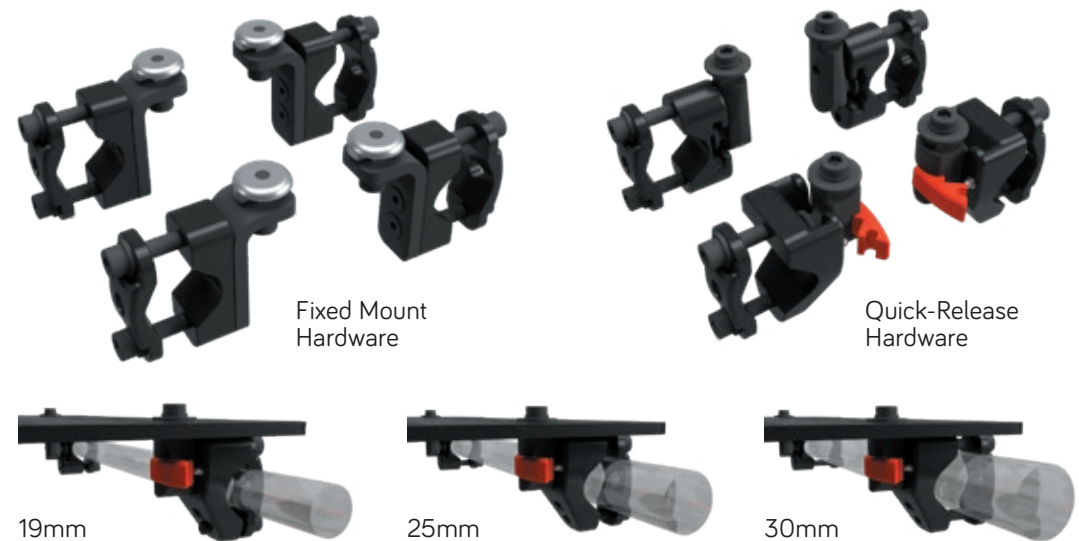
SEAT BASE SIZE CHART



SEAT BASE SIZE	10-15"	16-20"
MAXIMUM USER WEIGHT	90kg (200lb)	180kg (400lb)
HARDWARE STYLE	QUICK-RELEASE	FIXED MOUNT
SEAT BASE WEIGHT (16X18" / 40X45CM)	2.4kg	2.3kg

Versatile & multi-functional hardware

Allows installation to a range of wheelchair frames incorporating tubular canes from 19-30mm in diameter.



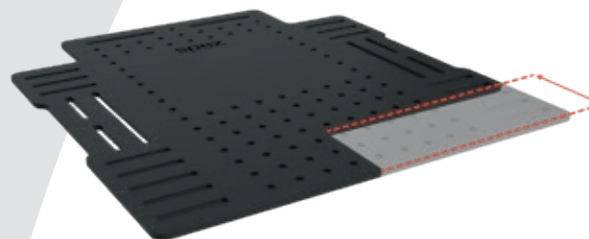
Accessories & Customisations



Additional retainer brackets

Seat base comes as standard with one pair. Install an additional pair for ease of hip belt placement in precise Seat Base locations.

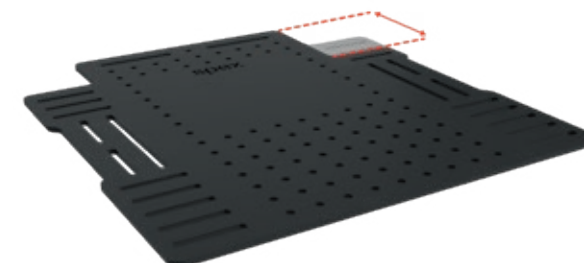
1008-0250-100



Leg length discrepancy cut-out

Available in 1-inch increments.

1008-0292-000



Custom cane depth cut-outs

Standard cane cut-outs are 3" by 3". Additional depth cut-out of 2" is available in 1" increments, to accommodate non-standard cane sizes.

1008-0291-000



spex

Manufactured by Spex Ltd

32 Detroit Drive
Rolleston 7675
New Zealand

+64 3 307 9790

solutions@spexseating.com

www.spexseating.com

DISTRIBUTED BY: