

# Quickie/Zippie IRIS Spare Parts



**SPARE  
PARTS  
GUIDE**

**medifab**<sup>®</sup>

MEDIFAB.COM

Version 2, August 2022

# Contents

Frame	4
Main Components	4
Tilt Components	6
Axle Components	8
Rear Wheel	9
Complete Assemblies	9
Wheel Components	10
Anti tips	12
Wheel Locks	13
Attendant Foot Lock	13
User (Push to Lock)	14
Back Canes	14
Height Adjustable Back Canes	14
Dynamic Back Canes	16
Reclining Back Canes	17
Arm Rest	18
Single Post	18
Dual Post	20
Castors and Forks	21
Fork Assemblies	21
Castors	24
Seat Pan	25
Hangers & Footplates	26
Extension Mount Hangers	26
Extension Mount Footplates	26
Front Mount Hangers	27
Front Mount Footplates	28
Contracture Footrest Kits	29

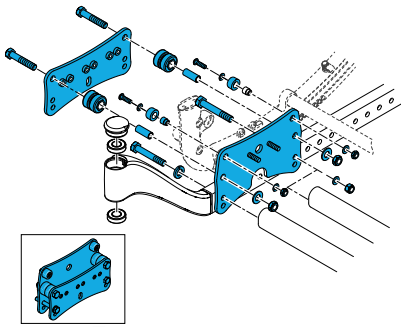
<b>Contracture Footrest Parts</b>	<b>31</b>
<b>Z-Finity</b>	<b>32</b>
<b>Hanger Impact Guard</b>	<b>35</b>
<b>Footplate Padding</b>	<b>36</b>
<b>Accessories</b>	<b>36</b>
<b>Canopy</b>	<b>36</b>
<b>Water Bottle</b>	<b>37</b>

# Frame

## Main Components

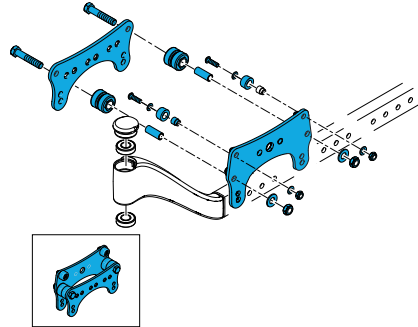
**1579-126228**

Quickie Iris Tilt Roller Assembly; Per each side, includes two plates, 4 rollers and all fixings required



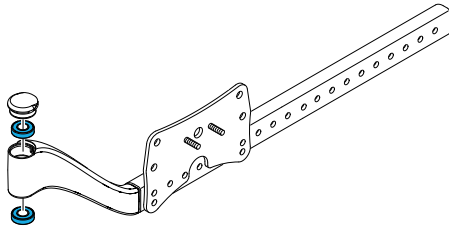
**1579-126488**

Zippie Iris Tilt Roller Assembly; Per each side, includes two plates, 4 rollers and all fixings required



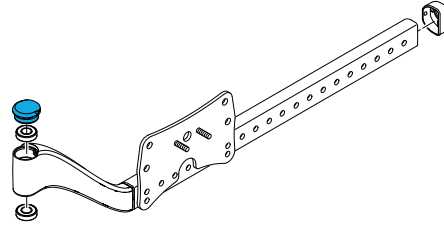
**1568-349500**

Quickie/Zippie Iris Fork Stem Bearing; Per each bearing (two required per fork stem)



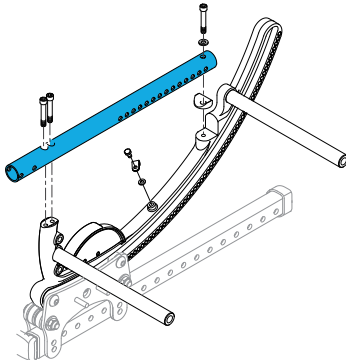
**1568-116255**

Quickie/Zippie Iris Caster Arm Cap; Per each arm



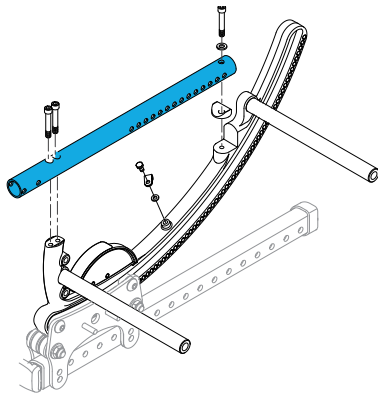
**1568-050500-004S**

Zippie Seat Tube Contracture (13'); Used For Contracture Footrest Only; Per each





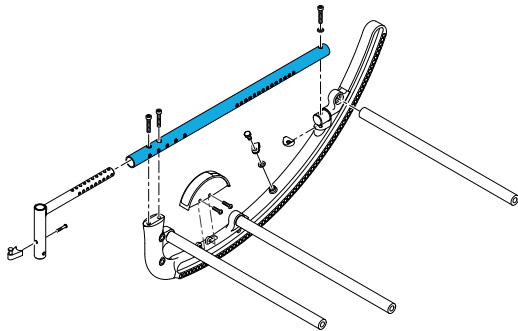
Zipie Seat Tube \_\_\_\_ ( \_\_\_\_ ); \_\_\_\_ "Depths; Per each



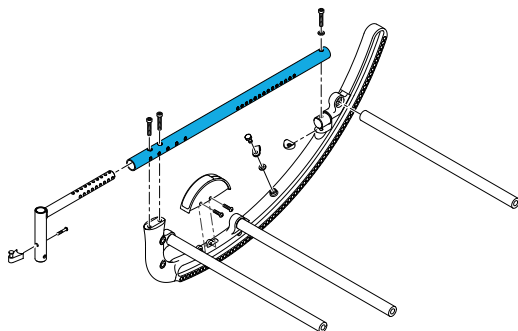
Description	Product Codes
Short (15"); 10"-14"	1568-050500-001S
Medium (16.5"); 12"-16"	1568-050500-002S
Long (18"); 14"-18"	1568-050500-003S

**1568-105800-004S**

Quickie Iris Seat Tube Rail Contracture length; Used for Contracture footrest only



Zipie Seat Tube \_\_\_\_ ; \_\_\_\_ "Depths; Per each

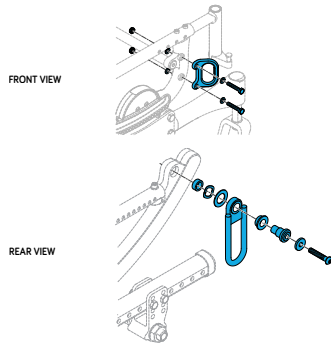


Description	Product Codes
Short ; 14"-18"	1568-105800-001S
Medium ; 16"-20"	1568-105800-002S
Long ; 18"-22"	1568-105800-003S

# Tilt Components

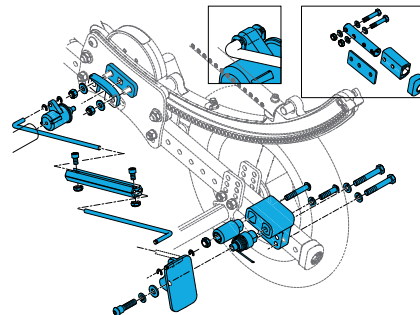
**1568-129603**

Quickie/Zippie Iris Transit/Tie Down Kit; For use with SN after IRS-045100 & ZRS-041800



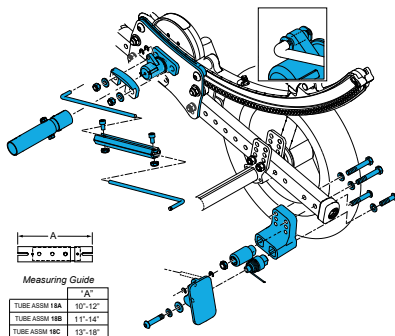
**1568-116007**

Quickie Iris Tilt Kit; Includes Tilt Pedal System, Pin release, rods inbetween and fixings



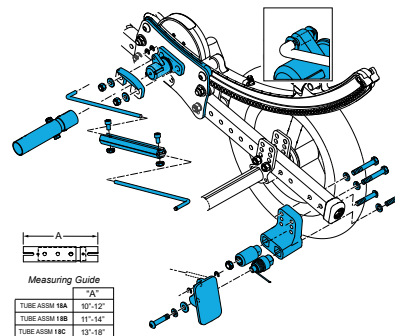
**1579-115816**

Zippie Iris Tilt Kit; Includes Tilt Pedal System, Pin release, rods inbetween and fixings for the Right Hand Side



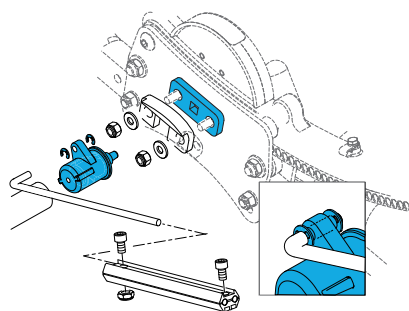
**1579-115817**

Zippie Iris Tilt Kit; Includes Tilt Pedal System, Pin release, rods inbetween and fixings For the Left Hand Side



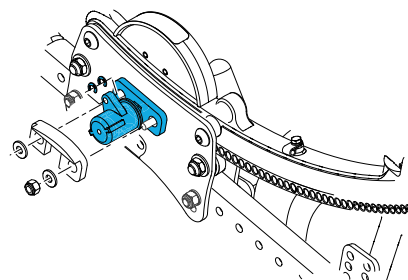
**1568-108767**

Quickie Iris Tilt Pin Replacment Kit; Includes Left & Right



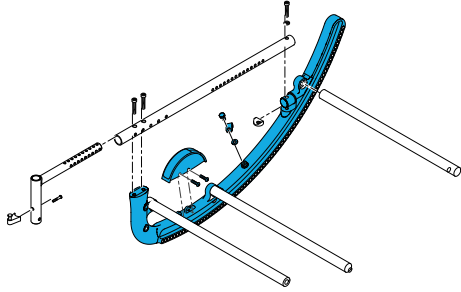
**1568-108768**

Zippie Iris Pin Release Replacement Kit Pediatric; Includes Left & Right



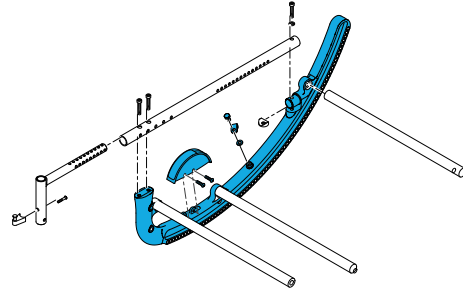
**1568-129596**

Quickie Iris Tilt Rocker Arm 55 Degree includes Angle Indicator Per Each



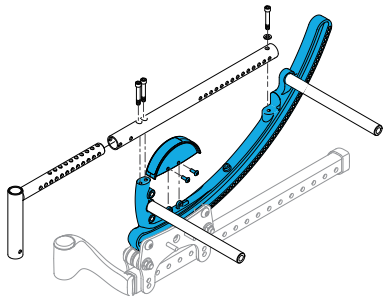
**1568-129597**

Quickie Iris, 40 Degree tilt Rocker Arm includes Angle Indicator, Per Each



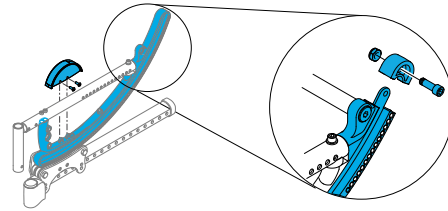
**1568-129641**

Zippie Iris Tilt Rocker 55 Degree Arm includes Angle Indicator, Per Each

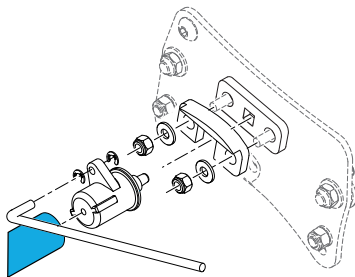


**1568-129642**

Zippie Iris Tilt 40 Degree Rocker Arm includes Angle Indicator, Per Each



Zippie Iris Rocker Tube Assembly; fits \_\_\_\_\_"  
Wide Chairs

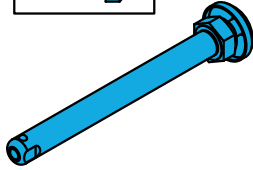
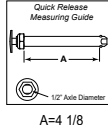
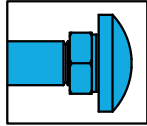


Width	Product Codes
10-12"	1568-107237
11-14"	1568-107238
13-18"	1568-107239
15-22"	1568-107240

# Axle Components

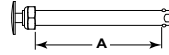
## 1568-102063

Quickie, Quick Release Axle Push Button version suitable for 3 Spoke & 6 Spoke Mag wheels

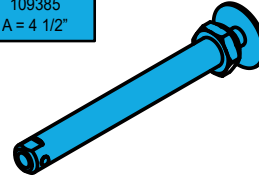


## 1568-109385

Quickie, Quick Release Axle Push Button version suitable for 5 Spoke Mag wheels

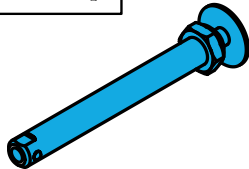
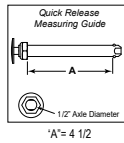
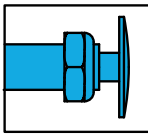


109385  
A = 4 1/2"



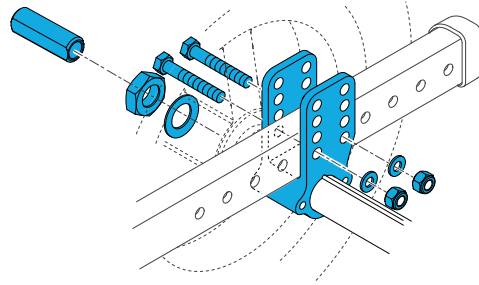
## 1568-102064

Quickie, Quick Release Axle Push Button version suitable for Standard Quickie Spoke wheels



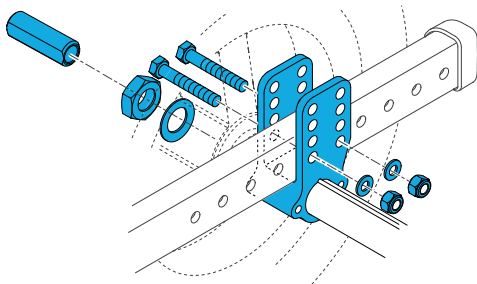
## 1568-95-108176

Quickie/Zippie Iris Axle Bracket Quick Release Assembly - Left For use with Quick Release Axle Pins



## 1568-108175

Quickie/Zippie Iris Axle Bracket Quick Release Assembly - Right For use with Quick Release Axle Pins

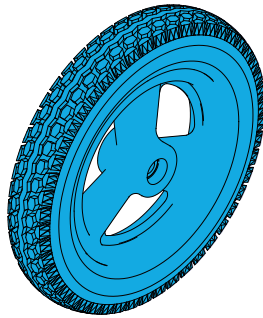


# Rear Wheel

## Complete Assemblies

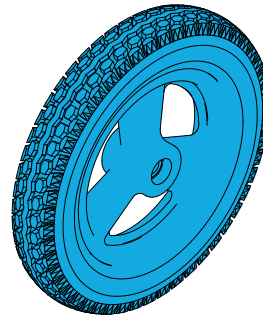
**1568-101661**

Quickie/Zippie Iris 12" Mag 3 Spoke Pneumatic Tire Assembly Per each



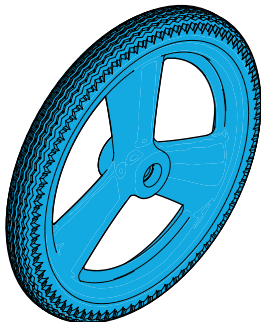
**1568-101662**

Quickie/Zippie Iris 12" Mag 3 Spoke Pneumatic With Airless Insert Assembly Per each



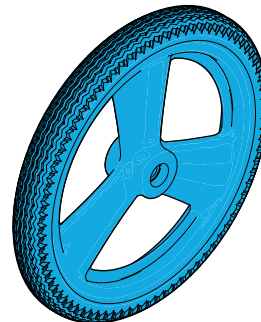
**1568-101667**

Quickie/Zippie Iris 16" Mag 3 Spoke Pneumatic Tire Assembly Per each



**1568-101668**

Quickie/Zippie Iris 16" Mag 3 Spoke Pneumatic With Airless Insert Assembly Per each



**1568-129209**

Quickie 20" 5 Spoke Mag Wheel with Pneumatic Airless insert tire and Aluminium anodised hand rim



**1568-129206**

Quickie 20" 5 Spoke Mag Wheel with Pneumatic tire and Aluminium anodised hand rim



**1568-129245**

Quickie 22" 5 Spoke Mag Wheel with Pneumatic Airless insert tire and Aluminium anodised hand rim



**1568-129236**

Quickie 22" 5 Spoke Mag Wheel with Pneumatic tire and Aluminium anodised hand rim



**1568-126409**

Quickie 24" 5 Spoke Mag Wheel with Pneumatic Airless insert tire and Aluminium anodised hand rim



**1568-126408**

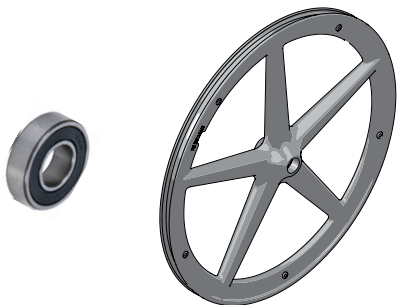
Quickie 24" 5 Spoke Mag Wheel with Pneumatic tire and Aluminium anodised hand rim



## Wheel Components

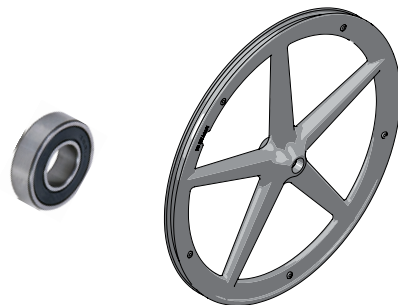
**1579-128986**

Quickie, 5 Spoke Mag Wheel 22": Wheel Assembly only; add tire, tube and handrim



**1579-126405**

Quickie, 5 Spoke Mag Wheel 24": Wheel Assembly only; add tire, tube and handrim



Quickie \_\_\_\_\_" Inner Tube



Size	Product Codes
16 X 1-3/4"	1579-384738
20 X 1-3/8"	1579-382275
22 X 1-3/8"	1579-382300
24 X 1-3/8"	1579-382325

Quickie, \_\_\_\_\_" Pneumatic Tire Grey Block Tread



Size	Product Codes
20"	1579-385250
22"	1579-385275
24"	1579-385300
16" X 1.75"	1568-385237

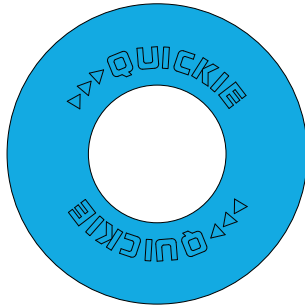
Quickie \_\_\_\_\_" Airless Insert



Size	Product Codes
12.5" X 2.25"	1579-102972-001
16"	1579-102973-001
20"	1579-102973-003
22"	1579-102973-004
24"	1579-102973-005

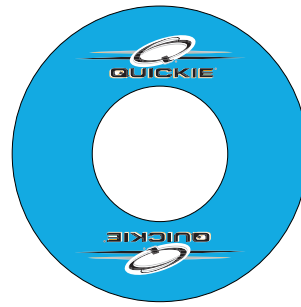
**1579-902021**

Quickie/Zippie Iris Black Spoke Guard 24" Fits 24"  
(540) Mag & Spoke Whls



**1568-103734-001**

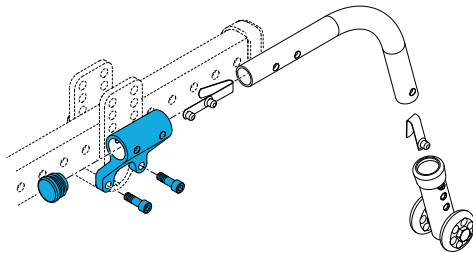
Quickie/Zippie Iris Clear Spoke Guards 24" Fits 24"  
(540) Mag & Spoke Whls



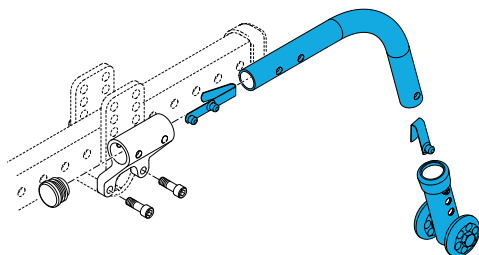
## Anti tips

**1568-108159**

Quickie/Zippie Iris Anti-tip Receiver Kit; Includes cap  
and fixings per each side



Quickie/Zippie Iris Anti-tip \_\_\_\_\_ Assembly; for use with  
\_\_\_\_\_ " Wheels



Description	Product Codes
LHS; 16"	<b>1568-108283</b>
RHS; 16"	<b>1568-108282</b>
LHS; 20, 22, 24	<b>1568-050173-003</b>
RHS; 20, 22, 24	<b>1568-050172-003</b>

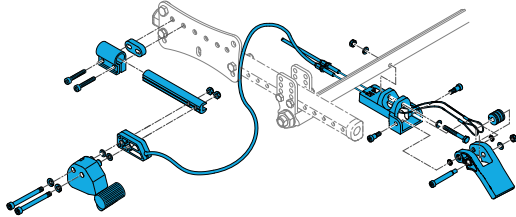


# Wheel Locks

## Attendant Foot Lock

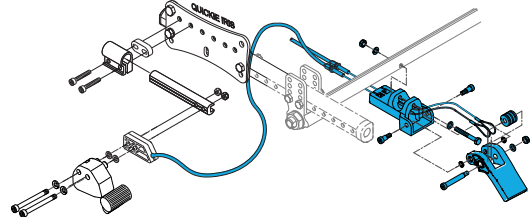
**1568-108138**

Quickie/Zippie Iris Attendant Wheel Lock Assembly Short  
Mag; For use with 16" Wheel



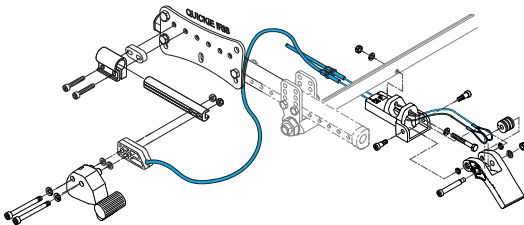
**1568-108139**

Quickie/Zippie Iris Attendant Wheel Lock Assembly Long,  
Mag



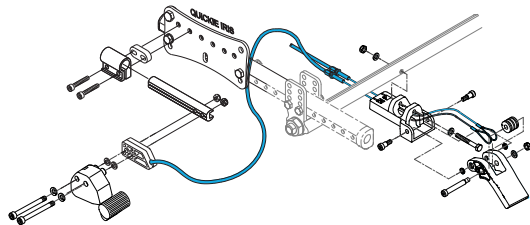
**1568-8452-001**

Quickie/Zippie Iris Attendant Wheel Lock Cable  
Assembly Short



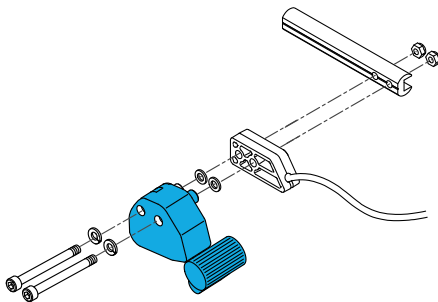
**1568-8452-011**

Quickie/Zippie Iris Attendant Wheel Lock Cable  
Assembly Long



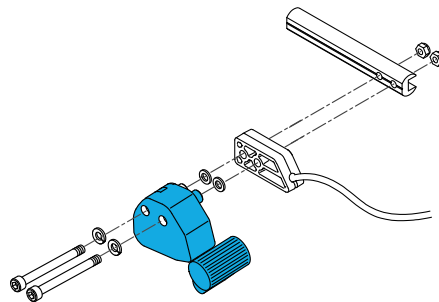
**1568-119952**

Quickie/Zippie Iris Attendant Wheel Lock Unit Right Side  
(for attendant wheel lock assembly) Doesn't include Cable  
or Fixings



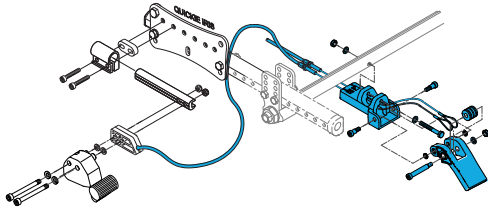
**1568-119953**

Quickie/Zippie Iris Attendant Wheel Lock Unit Left Side  
(for attendant wheel lock assembly) Doesn't include Cable  
or Fixings



1568-119472

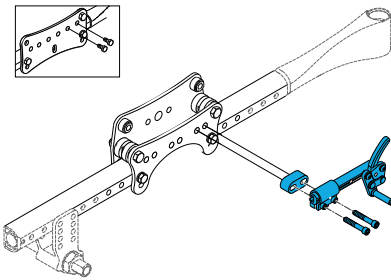
Quickie/Zippie Iris Attendant Wheel Lock Pedal Kit



## User (Push to Lock)

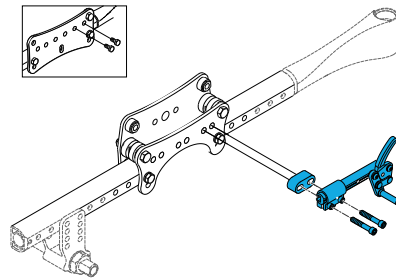
1568-108137

Quickie/Zippie Iris User Wheel Lock Assembly Push  
To Lock Left hand side; Includes mounting Bracket  
and bolts



1568-108136

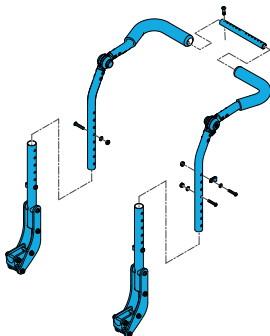
Quickie/Zippie Iris User Wheel Lock Assembly Push  
To Lock Right hand side; Includes mounting Bracket  
and bolts



## Back Canes

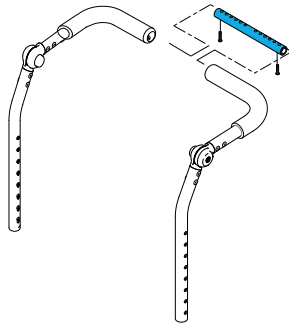
### Height Adjustable Back Canes

Quickie/Zippie Iris Height Adjustable Back Canes \_\_\_  
Height, \_\_\_-\_\_\_" Wide



Description	Product Codes
Tall, 10-14" : 15"	1568-118120
Tall, 12-16" : 15"	1568-118121
Tall, 14-19"	1568-2154-19T
STD, 17-22"	1568-2157-220
Tall, 17-22"	1568-2157-22T

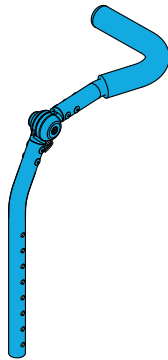
Quickie/Zippie Iris Stroller Handle Growth Shaft \_\_-\_\_"  
Wide; Shaft Only



Description	Product Codes
Short, 10-14"	1568-050541-001
Medium, 12-16"	1568-050541-002
Short, 14-19"	1568-521272
Adult, 14-19"	1568-521392

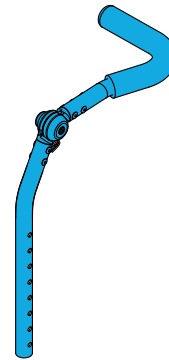
1568-110963-001

Zippie Iris Backrest Upper/Stroller Handle Knuckle Left  
Standard; For any size Zippie Height Adjustable Back  
Canes



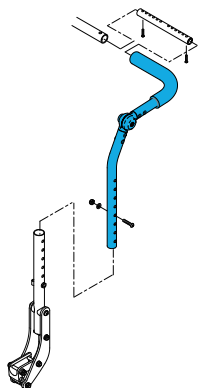
1568-110962-001

Zippie Iris Backrest Upper/Stroller Handle Knuckle Right  
Standard; For any size Zippie Height Adjustable Back  
Canes



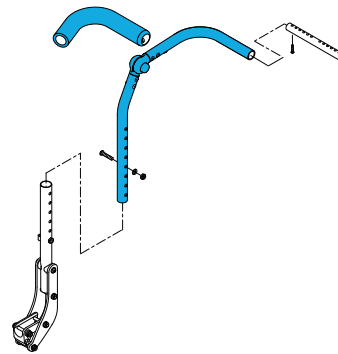
1568-110969-001

Quickie Iris Backrest Upper/Stroller Handle Knuckle Left  
Standard; For any size Quickie Height Adjustable Back  
Canes



1568-110968-001

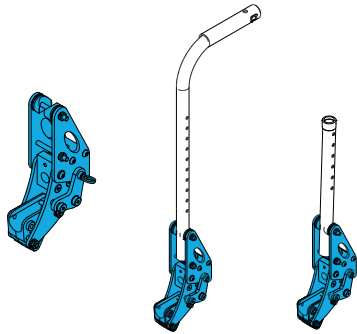
Quickie Iris Backrest Upper/Stroller Handle Knuckle Right  
Standard; For any size Quickie Height Adjustable Back  
Canes



# Dynamic Back Canes

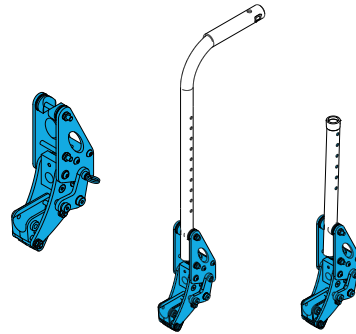
## 1568-2170-0LH

Quickie Iris Dynamic Backrest LH Complete Assembly including mounts and fixings (no Back Canes)

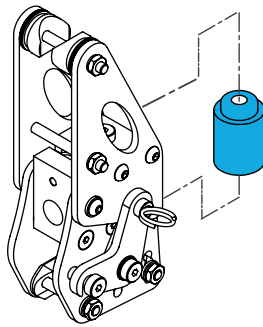


## 1568-2170-0RH

Quickie Iris Dynamic Backrest RH Complete Assembly including mounts and fixings (no Back Canes)



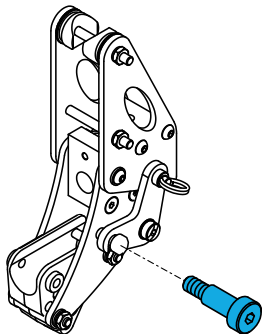
Dynamic Back \_\_\_\_\_ Suspension Kit



Description	Product Codes
Soft Red	1568-124044
Medium Blue	1568-124060
Firm Green	1568-124064
Extra-Firm Black	1568-124082

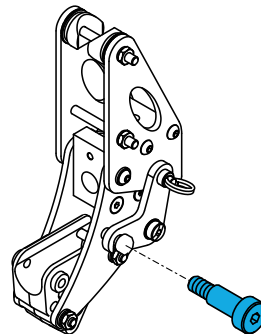
## 1579-011649-001

Quickie Iris Dynamic Back Replacement Swivel Shoulder Bolt; 8x16mm LG per Each



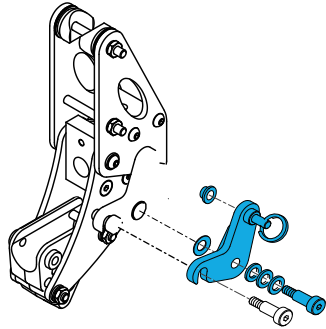
## 1579-011649-003

Quickie Iris Dynamic Back Replacement Latch Shoulder Bolt; M6x8x45 per Each



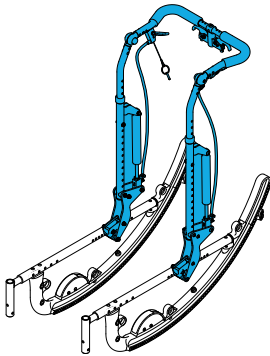
**1579-120943**

Quickie Iris Dynamic Back Latch Replacement Kit  
 Pair; includes latch, Shoulder bolts and washers for  
 Left and Right



# Reclining Back Canes

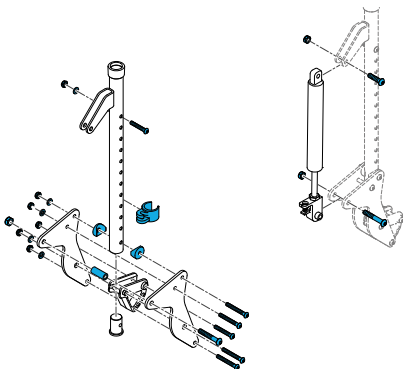
Quickie/Zippie Iris, Reclining Backrest with Height  
 adjustable stroller Handle for \_\_\_\_" Wide chair



Width	Product Codes
10"	1568-243350
11"	1568-243351
12"	1568-243352
13"	1568-243353
14"	1568-243354
15"	1568-243355
16"	1568-243356
17"	1568-243357
18"	1568-243358
19"	1568-243359
20"	1568-243361
21"	1568-243362
22"	1568-243364

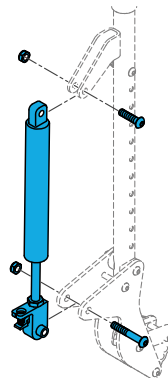
**1568-161546**

Quickie/Zippie Iris, Reclining Back Hardware Kit

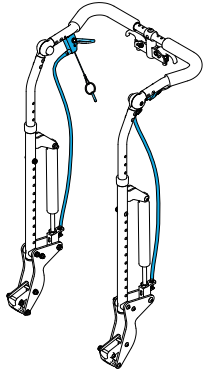


**1568-161544**

Quickie/Zippie Iris, Reclining Back, Gas Spring  
 Replacement Kit



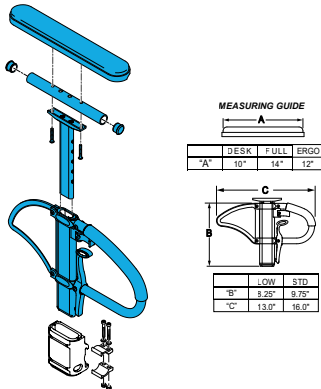
**1568-161545**  
Quickie/Zippie Iris, Reclining Back, Gas Spring  
Replacment Kit



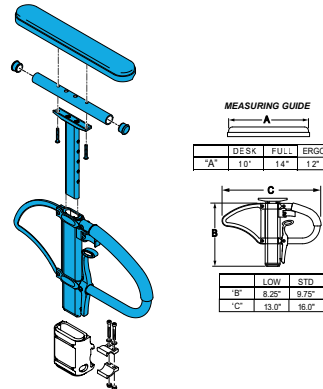
# Arm Rest

## Single Post

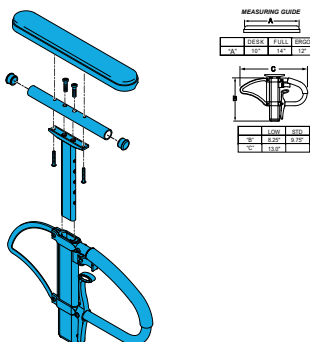
**1568-161558**  
Quickie/Zippie Iris Single Post Height Adj  
Low Armrest with Desk Pad, Left



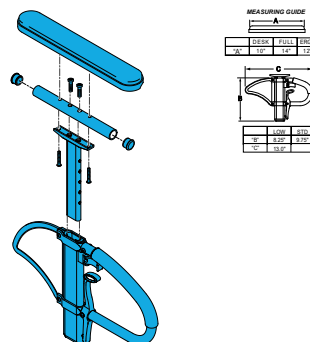
**1568-161557**  
Quickie/Zippie Iris Single Post Height Adj  
Low Armrest with Desk Pad, Right



**1568-161560**  
Single Post Height Adj Standard Armrest  
with Classic Desk Pad, Left

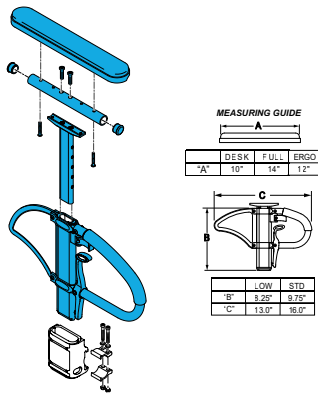


**1568-161559**  
Single Post Height Adj Standard Armrest  
with Classic Desk Pad, Right



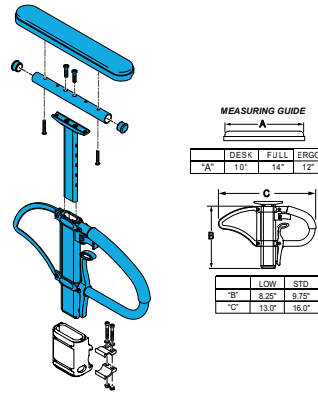
**1568-161554**

Quickie/Zippie Iris Single Post Height Adj Low  
Armrest with Full Pad, Left



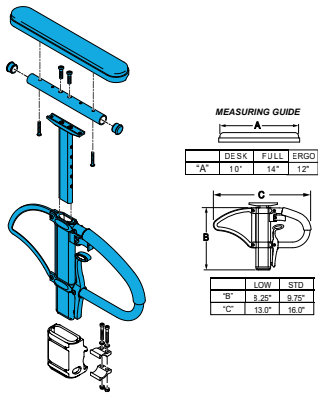
**1568-161553**

Quickie/Zippie Iris Single Post Height Adj Low  
Armrest with Full Pad, Right



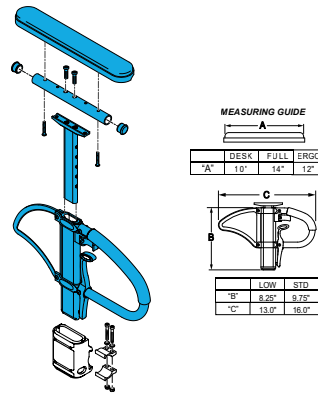
**1568-161556**

Quickie/Zippie Iris Single Post Height Adj Stand-  
ard Armrest with Full Pad, Left



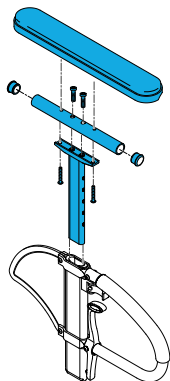
**1568-161555**

Quickie/Zippie Iris Single Post Height Adj Stand-  
ard Armrest with Full Pad, Right



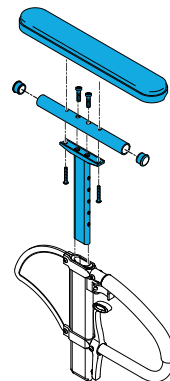
**1568-115221**

Quickie/Zippie Iris Armrest Upper Desk Length  
(10\" Long) Per each



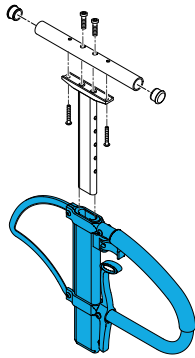
**1568-115222**

Quickie/Zippie Iris Armrest Upper Full Length (14\"  
Long) Per Each



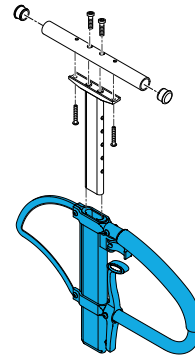
**1568-5612-002**

Quickie/Zippie Iris Single Post Height Adjustable Armrest Assembly Low Per each



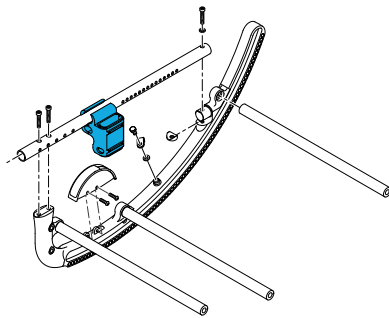
**1568-5612-001**

Quickie/Zippie Iris Single Post Height Adjustable Armrest Assembly Standard Per Each



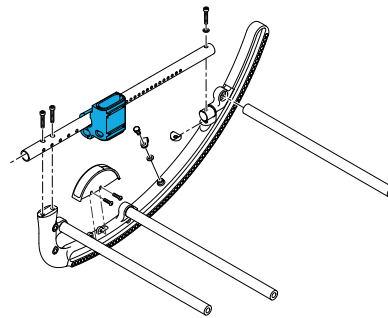
**1568-161571**

Quickie/Zippie Iris Low Single Post Height Adjustable Receiver, Per Each



**1568-161570**

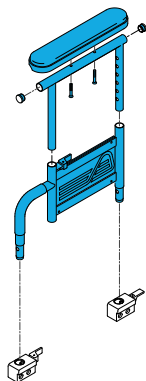
Quickie/Zippie Iris Standard Single Post Height Adjustable Receiver, Per Each



## Dual Post

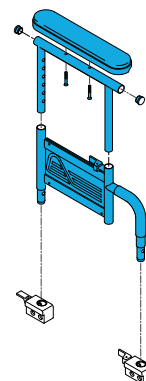
**1568-881560**

Quickie/Zippie Iris Flip Back Dual Post with Desk Length Pad Left Assembly



**1568-881561**

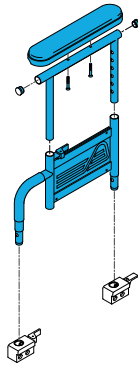
Quickie/Zippie Iris Flip Back Dual Post with Desk Length Pad Right Assembly





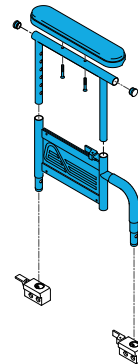
**1568-881567**

Quickie/Zippie Iris Flip Back Dual Post with Full Length Pad Left Assembly



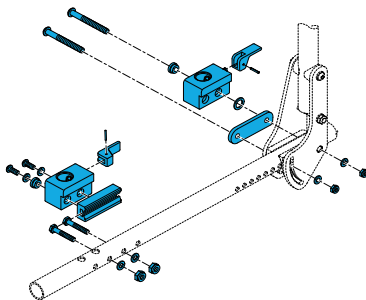
**1568-881566**

Quickie/Zippie Iris Flip Back Dual Post with Full Length Pad Right Assembly



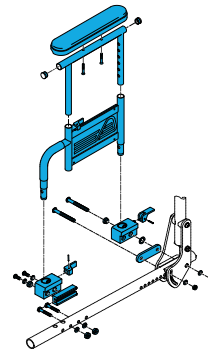
**1568-5683-100**

Dual Post Height Adjustable Flip Back Armrest Receiver Kit; Includes 4 Receivers/Mounts and the hardware required



**1568-5622-001**

Iris Dual post height adjustable flip back arm rests with full length pad complete kit. Includes 2x complete armrest and all 4 Mounts/Receivers Including Hardware

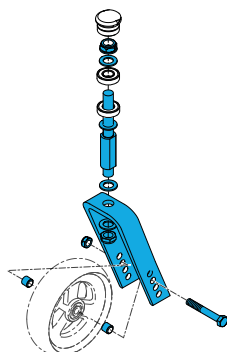


## Castors and Forks

### Fork Assemblies

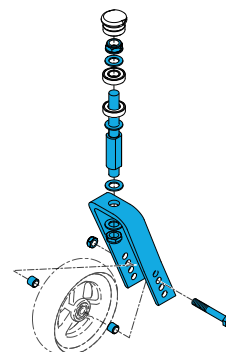
**1568-108163**

Quickie/Zippie Iris Castor 5 1/4" Fork and Stem Short Assembly (+ Standard Caster Stem); For use with 15" wide castors



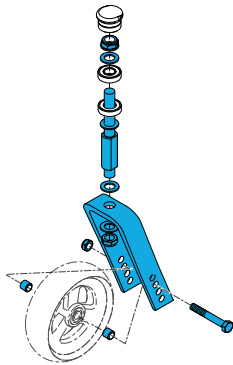
**1568-108164**

Quickie/Zippie Iris Castor 5 1/4" Fork and Stem Medium Assembly (+3/4" Caster Stem); For use with 15" wide castors



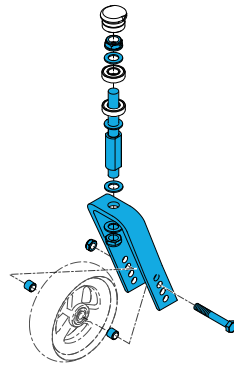
**1568-108167**

Quickie/Zippie Iris Castor 6 1/4" Fork and Stem Medium Assembly (+3/4" Caster Stem); For use with 15" wide castors



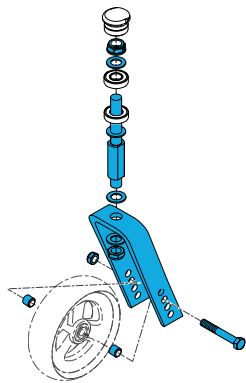
**1568-108166**

Quickie/Zippie Iris Castor 6 1/4" Fork and Stem Long Assembly (+1 1/2" Caster Stem); For use with 15" wide castors



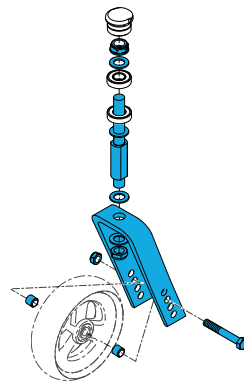
**1568-108169**

Quickie/Zippie Iris Castor 7" Fork and Stem Short Assembly (+ Standard Caster Stem); For use with 15" wide castors



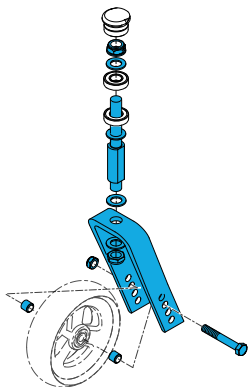
**1568-108170**

Quickie/Zippie Iris Castor 7" Fork and Stem Medium Assembly (+3/4" Caster Stem); For use with 15" wide castors



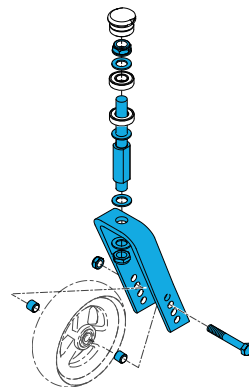
**1568-108171**

Quickie/Zippie Iris Castor 7" Fork and Stem Long Assembly (+1 1/2" Caster Stem); For use with 15" wide castors



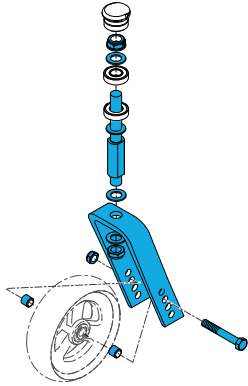
**1568-108172**

Quickie/Zippie Iris Castor Fork and Stem Wide Short Assembly (+ Standard Caster Stem); For 8 x 2 castor + 0" Stem



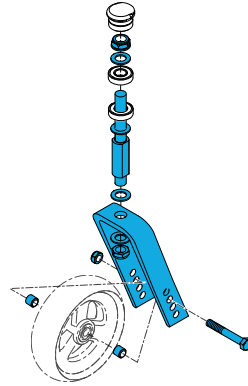
**1568-108173**

Quickie/Zippie Iris Castor Fork and Stem Wide Medium Assembly (+3/4" Caster Stem); For 8 x 2 castor + 3/4" Stem



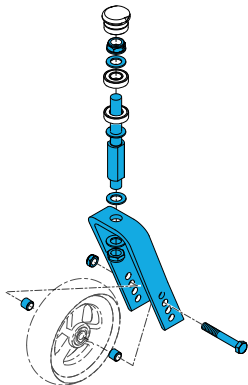
**1568-108174**

Quickie/Zippie Iris Castor Fork and Stem Wide Long Assembly (+1 1/2" Caster Stem); For 8 x 2 castor + 3/2" Stem



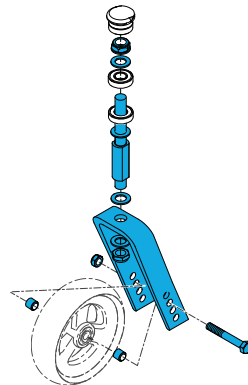
**1568-108172**

Quickie/Zippie Iris Castor Fork and Stem Wide Short Assembly (+ Standard Caster Stem); For 8 x 2 castor + 0" Stem



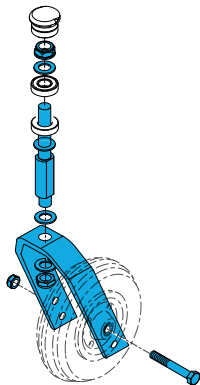
**1568-108173**

Quickie/Zippie Iris Castor Fork and Stem Wide Medium Assembly (+3/4" Caster Stem); For 8 x 2 castor + 3/4" Stem



**1568-108174**

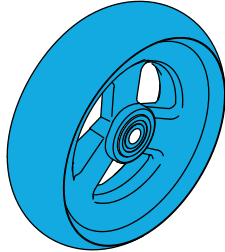
Quickie/Zippie Iris Castor Fork and Stem Wide Long Assembly (+1 1/2" Caster Stem); For 8 x 2 castor + 3/2" Stem



# Castors

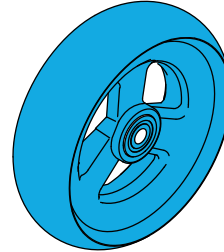
**1568-101259**

Quickie/Zippie Iris 5" x 1.5" Poly 3 Spoke Castor Semi-Pneumatic Each



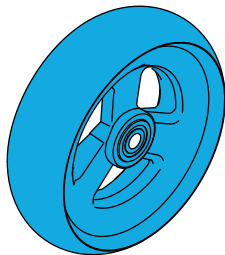
**1568-101255**

Quickie/Zippie Iris 6" x 1.5" Poly 3 Spoke Castor Semi-Pneumatic Each



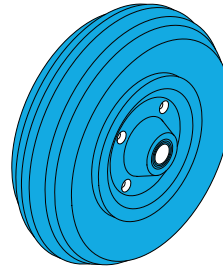
**1568-400215**

Quickie, 8" x 1.5" Semi-Pneumatic Castor per each



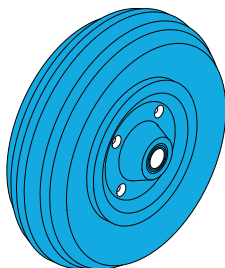
**1568-400700**

Quickie/Zippie Iris Castors 8" x 2" Pneumatic each



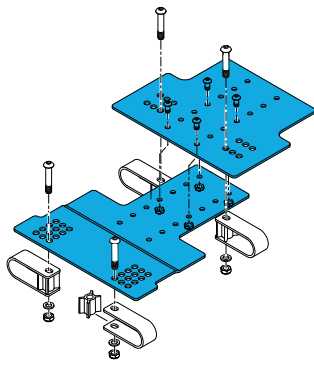
**1568-400702**

Quickie/Zippie Iris Castors 8" x 2" Pneumatic  
With airless insert each



# Seat Pan

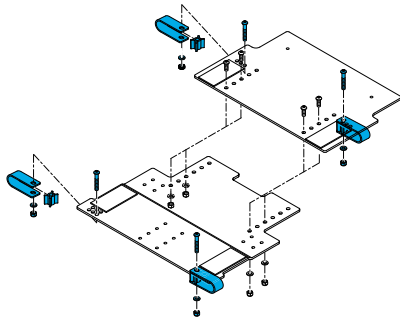
Zippie Iris Seat Pan for \_\_\_\_\_" Wide Chair; Seat Pan Only, no mounting kit (1568-02-108157)



Width	Product Codes
10"	1568-115868
11"	1568-115869
12"	1568-115870
13"	1568-115871
14-16"	1568-108152
15-17"	1568-109636
16-18"	1568-108153
17-19"	1568-109637
18-20"	1568-108154
19-21"	1568-109638
20-22"	1568-108155
21-23"	1568-109639
22-24"	1568-108156

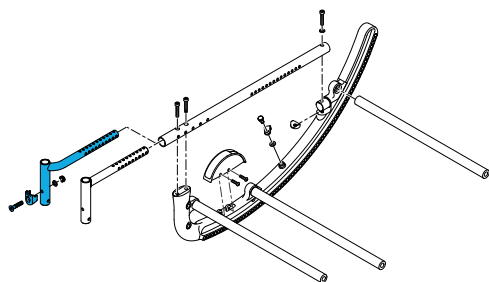
**1568-108157**

Quickie/Zippie Iris Seat Pan mounting kit; Includes 4 seat clamps and the fixings required



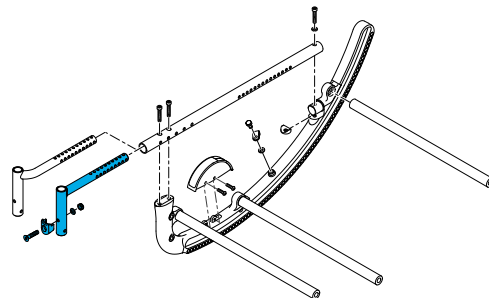
**1568-129601**

Quickie Hanger Mount, 1" Flared Receiver With Swing In/Out Latch; Pair-For Swing-In/Out Legrest



**1568-129600**

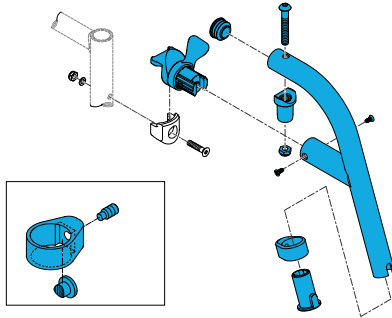
Quickie Hanger Mount, Standard Receiver With Swing In/Out Latch; Pair-For Swing-In/Out Legrest



# Hangers & Footplates

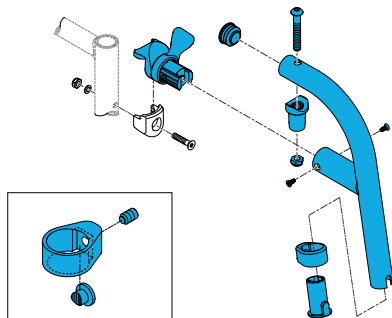
## Extension Mount Hangers

70 Degree Extension Mount Hanger \_\_\_\_\_, Plunger Style,  
\_\_\_\_\_ Opal



Side	Colour	Product Codes
Left	Black	1568-5072-L00
Right	Black	1568-5072-R00
Left	Specify Colour	1568-5072-LXX
Right	Specify Colour	1568-5072-RXX

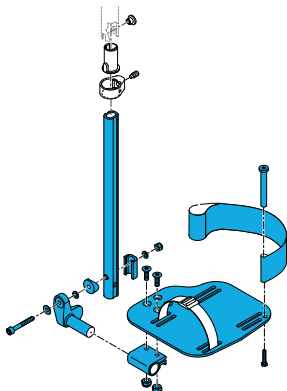
80 Degree Extension Mount Hanger \_\_\_\_\_, Plunger Style,  
\_\_\_\_\_ Opal



Side	Colour	Product Codes
Left	Black	1568-5082-L99
Right	Black	1568-5082-R99
Left	Specify Colour	1568-5082-LXX
Right	Specify Colour	1568-5082-RXX

## Extension Mount Footplates

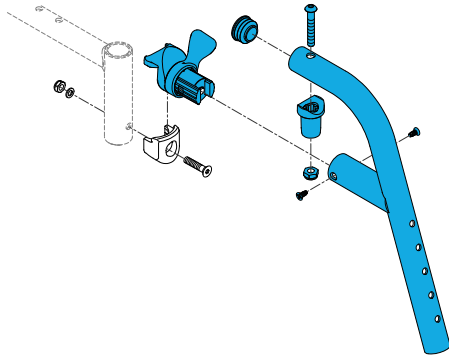
Adult Angle Adjustable Footplate Straight Long Extension  
Assembly \_\_\_\_\_ " Wide, \_\_\_\_\_



Width	Side	Product Codes
12-13 "	Left	1568-111539
12-13 "	Right	1568-111538
14-15 "	Left	1568-107963
14-15 "	Right	1568-107956
16-17 "	Left	1568-107965
16-17 "	Right	1568-107958
18-22 "	Left	1568-107968
18-22 "	Right	1568-107960

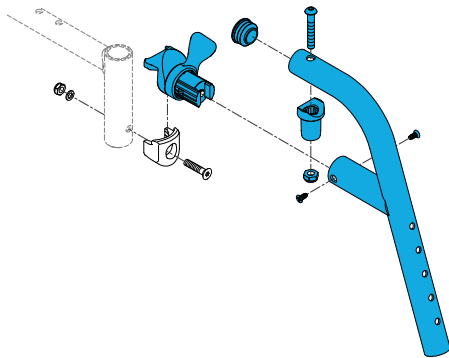
# Front Mount Hangers

70 Degree Front Mount Hanger, Plunger Style, \_\_\_\_\_,  
 \_\_\_\_\_ Opal



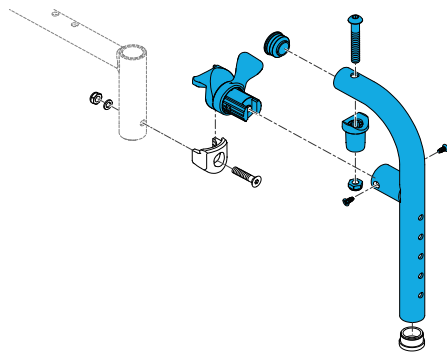
Side	Colour	Product Codes
Left	Black	1568-5070-L99
Right	Black	1568-5070-R99
Left	Specify Colour	1568-5070-LXX
Right	Specify Colour	1568-5070-RXX

80 Degree Front Mount Hanger, Plunger Style, \_\_\_\_\_,  
 \_\_\_\_\_ Opal



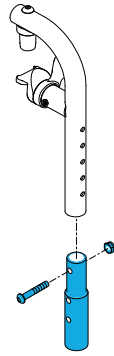
Side	Colour	Product Codes
Left	Black	1568-5080-L99
Right	Black	1568-5080-R99
Left	Specify Colour	1568-5080-LXX
Right	Specify Colour	1568-5080-RXX

90 Degree Front Mount Hanger, Plunger Style, \_\_\_\_\_,  
 \_\_\_\_\_ Opal



Side	Colour	Product Codes
Left	Black	1568-5090-L99
Right	Black	1568-5090-R99
Left	Specify Colour	1568-5090-LXX
Right	Specify Colour	1568-5090-RXX

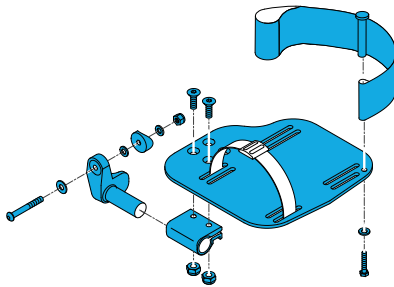
Hanger extension tube for front mount footrest, \_\_\_\_  
" (pair)



Description	Product Codes
2 "	1568-111505
4 "	1568-111506
6 "	1568-111507

## Front Mount Footplates

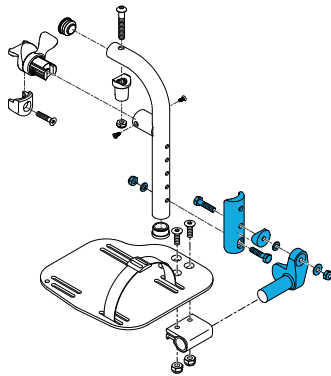
Adult Angle Adjustable Footplate Kit \_\_\_\_", \_\_\_\_ side



Width	Side	Product Codes
10-11 "	Left	1568-5150-10L
10-11 "	Right	1568-5150-10R
12-13 "	Left	1568-5152-12L
12-13 "	Right	1568-5152-12R
14-15 "	Left	1568-5154-14L
14-15 "	Right	1568-5154-14R
16-17 "	Left	1568-5156-17L
16-17 "	Right	1568-5156-17R
18-20 "	Left	1568-5158-18L
18-20 "	Right	1568-5158-18R

**1568-129764**

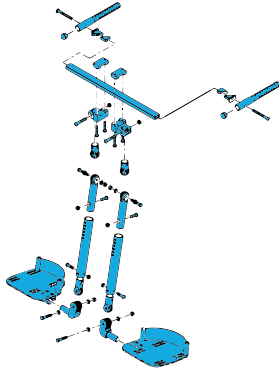
Adult Angle Adjustable Front Mount Adapter Kit Pair





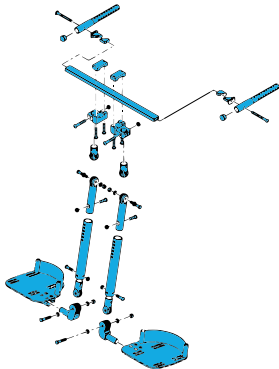
# Contracture Footrest Kits

Quickie Iris Contracture footrest 14" \_\_\_\_\_; for \_\_\_\_\_"  
Leg Length (+cushion)



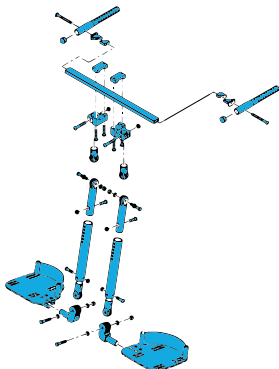
Size	Length	Product Codes
Long	14.5-17"	1568-5170-14L
Medium	12.5-15"	1568-5170-14M
Short	10.5-13"	1568-5170-14S

Quickie Iris Contracture footrest 15" \_\_\_\_\_; for \_\_\_\_\_"  
Leg Length (+cushion)



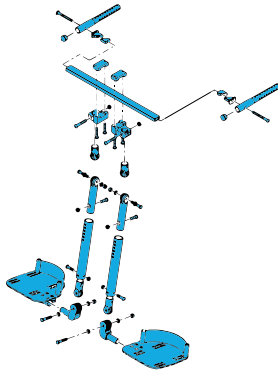
Size	Length	Product Codes
Long	14.5-17"	1568-5170-15L
Medium	12.5-15"	1568-5170-15M
Short	10.5-13"	1568-5170-15S

Quickie Iris Contracture footrest 16" \_\_\_\_\_; for \_\_\_\_\_"  
Leg Length (+cushion)



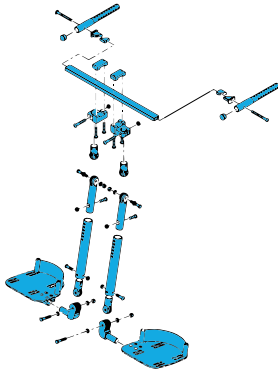
Size	Length	Product Codes
Long	14.5-17"	1568-5170-16L
Medium	12.5-15"	1568-5170-16M
Short	10.5-13"	1568-5170-16S

Quickie Iris Contracture footrest 17" \_\_\_\_\_; for \_\_\_\_\_"  
 Leg Length (+cushion)



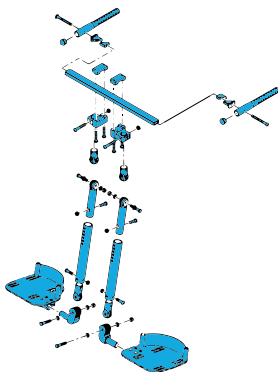
Size	Length	Product Codes
Long	14.5-17"	1568-5170-17L
Medium	12.5-15"	1568-5170-17M
Short	10.5-13"	1568-5170-17S

Quickie Iris Contracture footrest 18" \_\_\_\_\_; for \_\_\_\_\_"  
 Leg Length (+cushion)



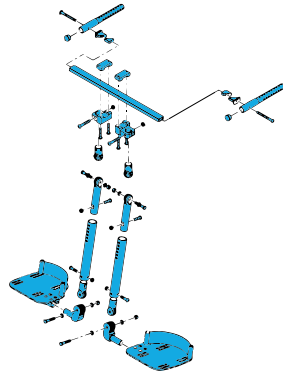
Size	Length	Product Codes
Long	14.5-17"	1568-5170-18L
Medium	12.5-15"	1568-5170-18M
Short	10.5-13"	1568-5170-18S

Quickie Iris Contracture footrest 19" \_\_\_\_\_; for \_\_\_\_\_"  
 Leg Length (+cushion)



Size	Length	Product Codes
Long	14.5-17"	1568-5170-19L
Medium	12.5-15"	1568-5170-19M
Short	10.5-13"	1568-5170-19S

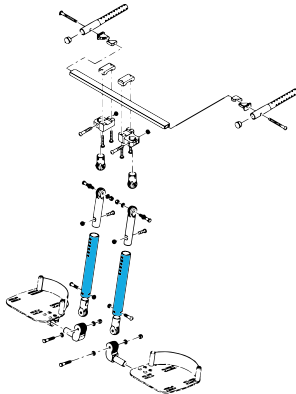
Quickie Iris Contracture footrest 20" \_\_\_\_\_; for \_\_\_\_\_"  
Leg Length (+cushion)



Size	Length	Product Codes
Long	14.5-17"	1568-5170-20L
Medium	12.5-15"	1568-5170-20M
Short	10.5-13"	1568-5170-20S

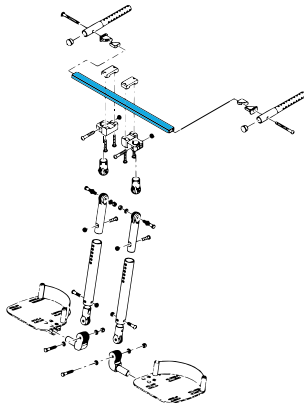
## Contracture Footrest Parts

Quickie/Zippie Iris Contracture Footrest Mount Tube -  
\_\_\_\_\_; \_\_\_\_\_" Leg Length



Size	Length	Product Codes
Long	14.5-17"	1568-5174-17L
Medium	12.5-15"	1568-5174-15M
Short	10.5-13"	1568-5174-13S

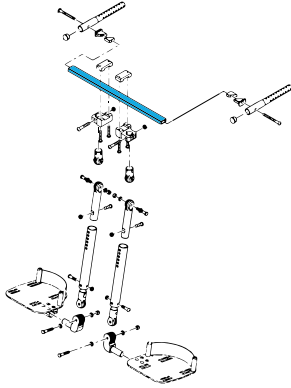
Quickie/Zippie Iris Contracture Footrest Rail \_\_\_\_\_"



Length	Product Codes
14"	1568-521460
15"	1568-521461
16"	1568-521462
17"	1568-521463
18"	1568-521464
19"	1568-521465
20"	1568-521466
21"	1568-521467

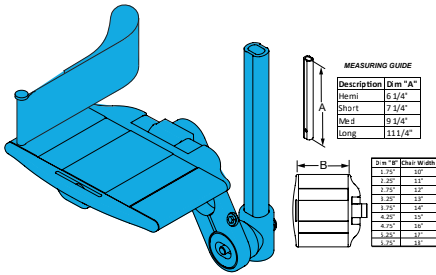
**1568-521468**

Quickie/Zippie Iris Contracture Footrest Rail 22" - spare part or used to increase the width of a 20" Contracture footrest kit.



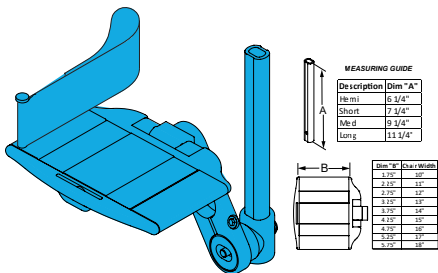
# Z-Finity

Quickie/Zippie Iris 10" Z-Finity Divided Footplate ( \_\_\_\_ Long Assembly), \_\_\_\_ Side



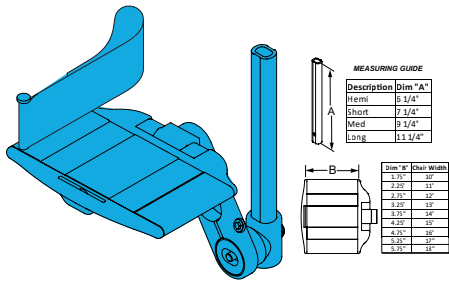
Description	Product Codes
Long, LH	1579-136315
Long, RH	1579-136314
Short, LH	1579-136280
Short, RH	1579-136279

Quickie/Zippie Iris 11" Z-Finity Divided Footplate ( \_\_\_\_ Long Assembly), \_\_\_\_ Side



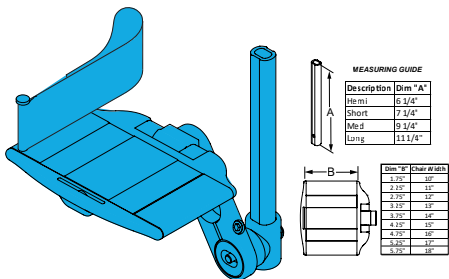
Description	Product Codes
Long, LH	1579-136317
Long, RH	1579-136316
Short, LH	1579-136282
Short, RH	1579-136281

Quickie/Zippie Iris 12" Z-Finity Divided Footplate ( \_\_\_\_  
 Long Assembly), \_\_\_\_ Side



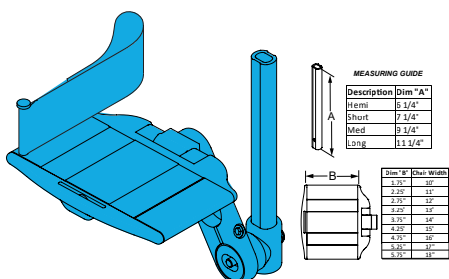
Description	Product Codes
Long, LH	1579-136319
Long, RH	1579-136318
Short, LH	1579-136283
Short, RH	1579-136282

Quickie/Zippie Iris 13" Z-Finity Divided Footplate ( \_\_\_\_  
 Long Assembly), \_\_\_\_ Side



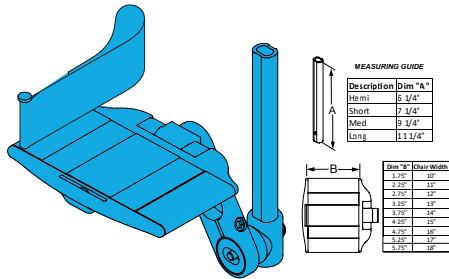
Description	Product Codes
Long, LH	1579-136321
Long, RH	1579-136320
Short, LH	1579-136285
Short, RH	1579-136284

Quickie/Zippie Iris 14" Z-Finity Divided Footplate ( \_\_\_\_  
 Long Assembly), \_\_\_\_ Side



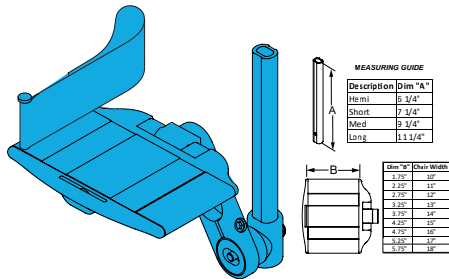
Description	Product Codes
Long, LH	1579-136323
Long, RH	1579-136322
Short, LH	1579-136287
Short, RH	1579-136286

Quickie/Zippie Iris 15" Z-Finity Divided Footplate ( \_\_\_\_  
Long Assembly), \_\_\_\_ Side



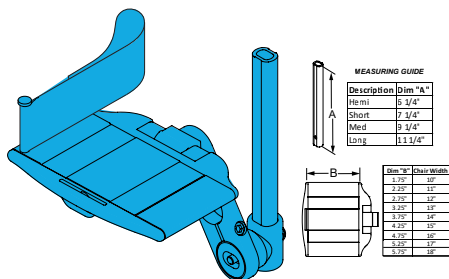
Description	Product Codes
Long, LH	1579-136325
Long, RH	1579-136324
Short, LH	1579-136289
Short, RH	1579-136288

Quickie/Zippie Iris 16" Z-Finity Divided Footplate ( \_\_\_\_  
Long Assembly), \_\_\_\_ Side



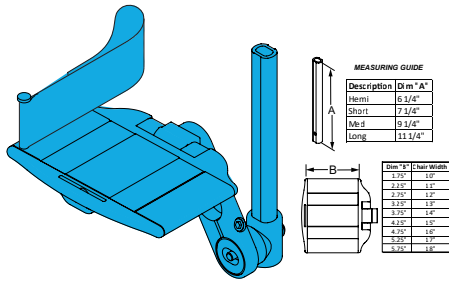
Description	Product Codes
Long, LH	1579-136327
Long, RH	1579-136326
Short, LH	1579-136291
Short, RH	1579-136290

Quickie/Zippie Iris 17" Z-Finity Divided Footplate ( \_\_\_\_  
Long Assembly), \_\_\_\_ Side



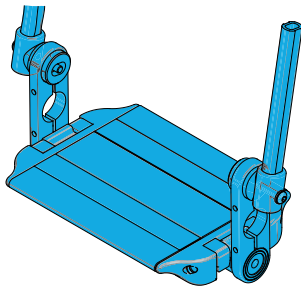
Description	Product Codes
Long, LH	1579-136329
Long, RH	1579-136328
Short, LH	1579-136293
Short, RH	1579-136292

Quickie/Zippie Iris 18" Z-Finity Divided Footplate ( \_\_\_\_\_ ,  
 \_\_\_\_\_ Assembly), \_\_\_\_\_ Side



Description	Product Codes
Long,LH	1579-136331
Long,RH	1579-136330
Short,LH	1579-136295
Short,RH	1579-136294

\_\_\_\_\_ " Z-Finity Flip-Up Footplate Long Long, Platform,  
 One-piece



Description	Product Codes
12 "	1568-5190-012
14 "	1568-5190-014
16 "	1568-5190-016
18 "	1568-5190-018

## Hanger Impact Guard

1415-5363-300

Impact Guards for Quickie Elevating Leg Hangers



1415-5360-300

Spex impact guards, for protection of 70 degree hangers



**1415-5361-300**

Spex impact guards, for protection of 80 & 90 degree hangers



## Footplate Padding

Quickie, Nitrum Composite Footrest Complete Short  
 \_\_\_" Wide Assembly



Width	Product Codes
10-11 "	1415-5310-300
12-13 "	1415-5312-300
14-15 "	1415-5314-300
16-17 "	1415-5316-300
18-22 "	1415-5318-300

## Accessories

### Canopy

**1568-125320**

Quickie/Zippie Iris folding wheelchair canopy for frames  
 10-14" wide. Includes Mounts and Fixings required.



**1568-125321**

Quickie/Zippie Iris folding wheelchair canopy for frames  
 15-20" wide. Includes Mounts and Fixings required.

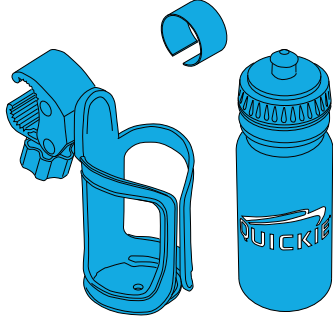




# Water Bottle

**1579-163680**

Quickie/Zippie Iris Water bottle with Cage and Clamp



Manufactured by Medifab Ltd

22 Detroit Drive,  
Rolleston, 7675  
New Zealand

0800 543 343

[solutions@medifab.com](mailto:solutions@medifab.com)

[www.spexseating.com](http://www.spexseating.com)



DISTRIBUTED BY: