

Quickie Q700

Spare Parts



SPARE
PARTS
GUIDE

medifab®

MEDIFAB.COM
Version 1, July 2022

Contents

Base	5
Q700R/F	5
Q700M	5
Battery	6
Suspension	6
Q700R/F	6
Q700M	6
Motors	9
Drive Wheel	11
Complete Wheels	11
Wheel Parts	12
Castors	13
Q700M	13
Q700R/F	13
Shrouds	14
Q700R/F	14
Q700M	16
Tilt & Lift Cassette	18
Assembly	18
Parts	18
Sedeo Pro Seating	19
Assemblies	19
Seat Frame Short	21
Seat Frame Long	22
Back Frame Universal	23
Back Frame Fixed Back	24
Power Semi-Recline Back (130 Degrees)	25
Full Power Recline Back (150°) with Anti Shear	27
Accessory	28

Sedeo Pro Armrests	29
Assemblies	29
2 Pt Armrest Lock	30
Mounting Parts	30
Armrest Pads	31
Standard Sedeo Pad	31
Comfort Gel Armrest Pad	32
Comfort Foam Armrest Pad	33
Gel Trough Armrest Pad	34
Sedeo Pro Legrests	34
Swing Away 70 Degree Assembly	34
Swing Away 70 Degree hangers	34
Swingaway Manual ELR Assembly	35
Swingaway Manual ELR Hangers	35
Swingaway Power ELR Assembly	35
Swingaway Power ELR Hangers	36
Swingaway Power ELR Cables	36
Sedeo Pro Extension Footplates	36
Sedeo Knee & Calf Pads	37
Sedeo Pro Swingaway Mounts	39
Power Centre Mount Mechanical Extension Assembly	39
Power Centre Mount Power Extension Assembly	39
Power Centre Mount Parts	40
Fixed Centre Mount Assembly	42
Fixed Centre Mount Parts	42
Sedeo Pro Fixed Centre Mount	42
Sedeo Pro Fixed Centre Mount Parts	43
Asap Style Swingaway Legrests	44
Accessories	45
Knee Pads	45

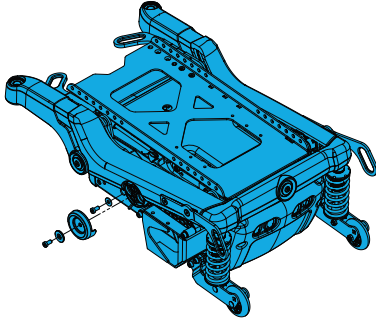
Headrests	46
Joystick	48
CJSM2	48
CJSM1	48
LED	48
Mounting Parts	49
Parts	50
Attendant Joystick	53
Attendant Mounting Systems	53
Accessory Electronics	56
RNET Cables	58
Bus Cables/Harness	58
Battery Harness	59
Wiring	60
Lighting	62

Base

Q700R/F

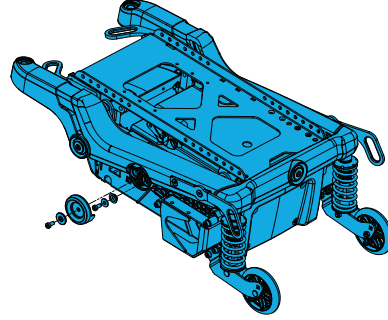
1600-22700031

Quickie Power, Q700R Complete Chassis - excluding Motors, Wheels & Battery, includes Transit Kit



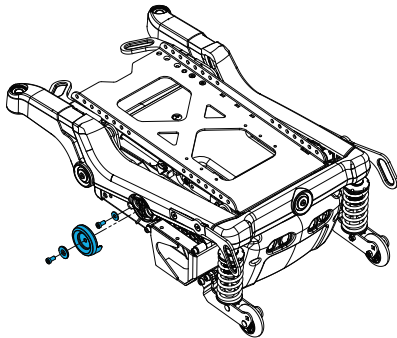
1600-22700034

Quickie Power, Q700F Complete Chassis - excluding Motors, Wheels & Battery, includes Transit Kit



1600-22700080

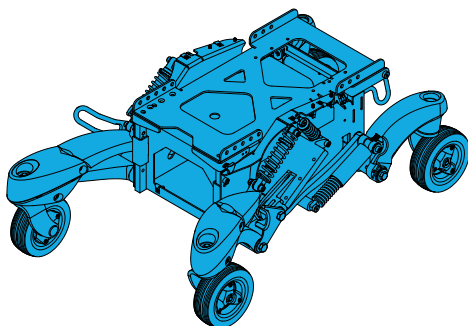
Quickie Power, Q700R/F Suspension Hinge Cover



Q700M

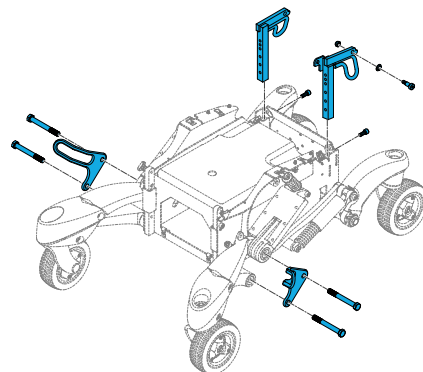
1600-134704

Quickie Power, Q700M Complete Base Assembly (does not include motors), Transit Kit Included



1600-162345

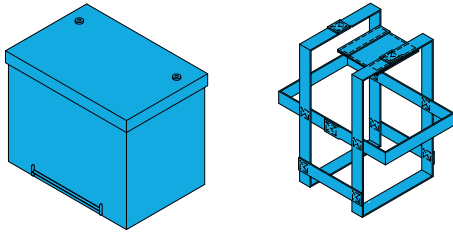
Quickie Power, Q700M Transit Kit; Includes Front & Rear Tie Downs.



Battery

1600-9380-G24S

Quickie Power, Gel Battery for Q700M - pr

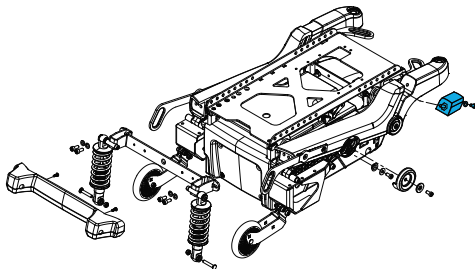


Suspension

Q700R/F

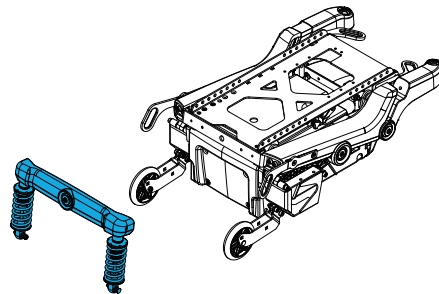
1600-22700066

Quickie Power, Q700R/F Suspension Castor Damper



1600-22700075

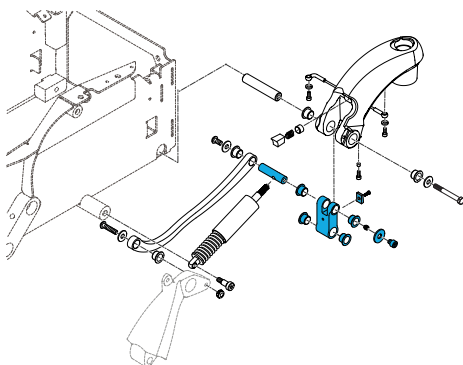
Quickie Power, Q700R/F Suspension Swivel Bridge Assembly, including swivel system and suspension for anti-tip castor system



Q700M

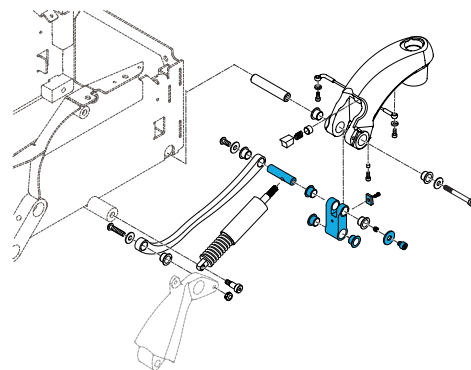
1600-162015

Quickie Power, Q700M Rear Swing Arm Gas Spring Mounting Kit left side



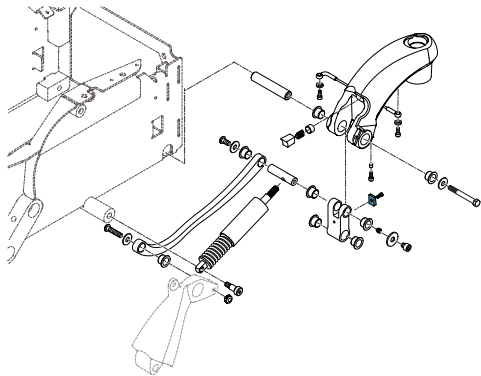
1600-162352

Quickie Power, Q700M Rear Swing Arm Gas Spring mounting Kit Right Side



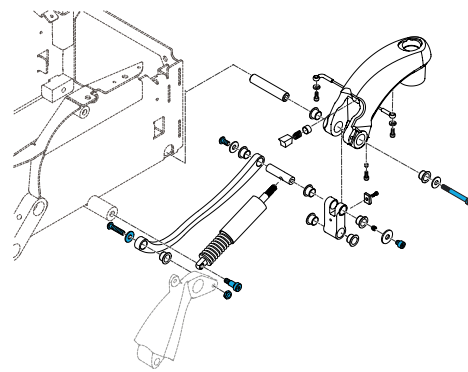
1600-247560

Quickie Power, Q700M Rear Gas Strut Stop/Lockout kit



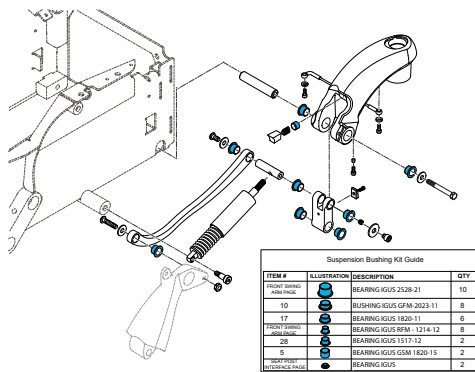
1600-162019

Quickie Power, Q700M Rear Suspension Fasteners/Mounting Kit



1600-162018

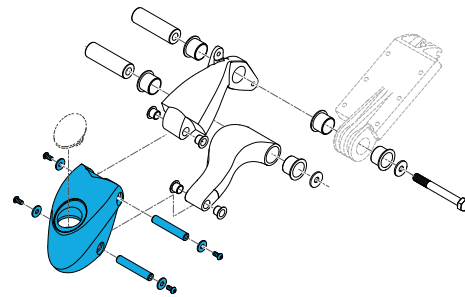
Quickie Power, Q700M Complete Suspension Bushing Kit



ITEM #	ILLUSTRATION	DESCRIPTION	QTY
FRONT LOWER AXLE PIN		BEARING EGUS 2538-31	10
10		BUSHING EGUS CFM 2023-31	8
17		BEARING EGUS 1820-11	6
TRUCK FRONT STRUT PIN		BEARING EGUS RFM-1214-12	8
28		BEARING EGUS 1517-12	2
9		BEARING EGUS GDM 1820-15	2
TRUCK FRONT STRUT PIN		BEARING EGUS	2

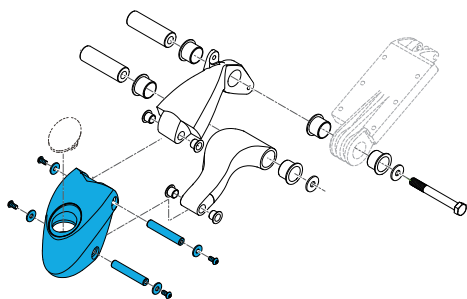
1600-162346

Quickie Power, Q700M Front Caster Stem Housing Assembly Right Side, Includes Bolts and Pivot Pins



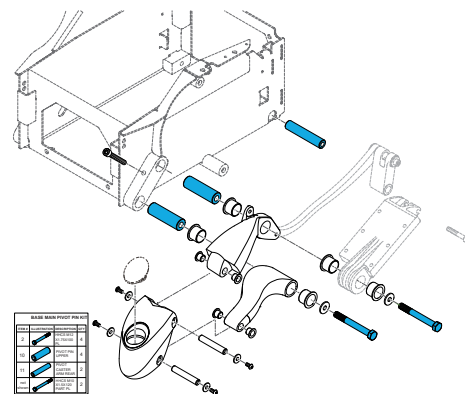
1600-247968

Quickie Power, Q700M Front Caster Stem Housing Assembly Left Side, Includes Bolts and Pivot Pins



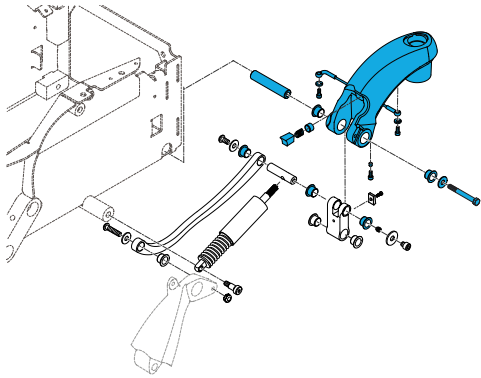
1600-162029

Quickie Power, Q700M Front Caster Arm, Base Pivot Kit, Swing Arm Base Pivot Bolts and Pins



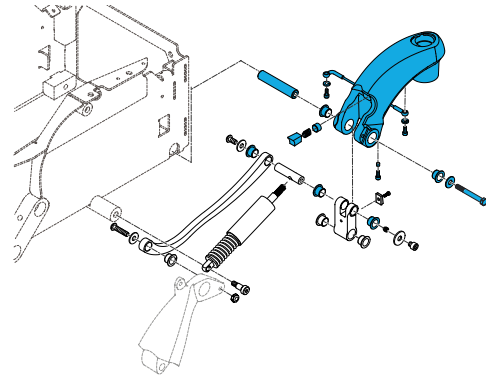
1600-163286

Quickie Power, Q700M Rear Castor Arm Assembly
Right Hand Side



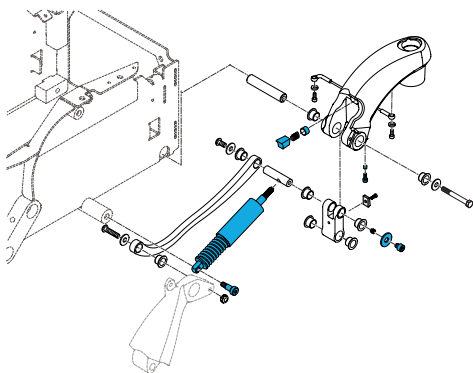
1600-163287

Quickie Power, Q700M Rear Castor Arm Assembly
Left Hand Side



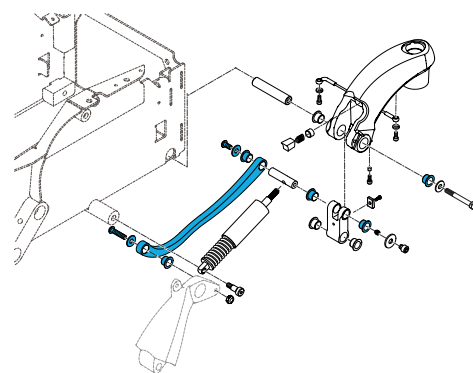
1600-163285

Quickie Power, Q700M Rear Suspension Replacement
Kit per side, Includes Gas Strut and Mounting Hardware



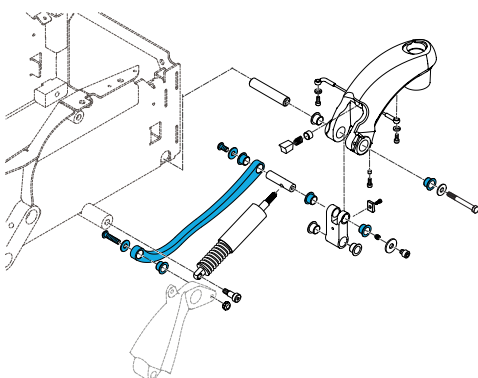
1600-162017

Quickie Power, Q700M Front and Rear Swing/Castor
Arm, Link Kit and Mounting Hardware Right side



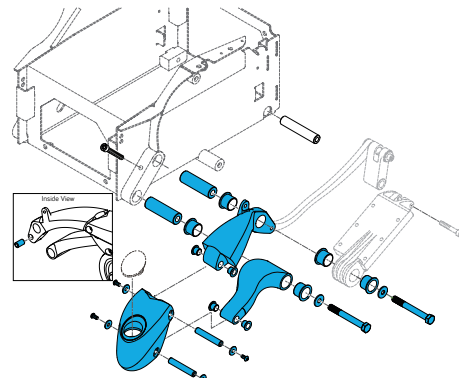
1600-247561

Quickie Power, Q700M Front and Rear Swing/Castor
Arm, Link Kit and Mounting Hardware Left side



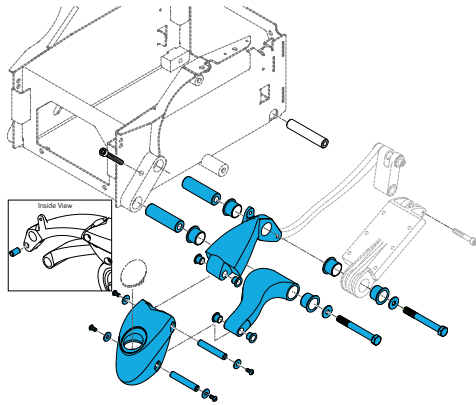
1600-162027

Quickie Power, Q700M Front Castor Arm Assembly
Right Hand Side (includes bearings)



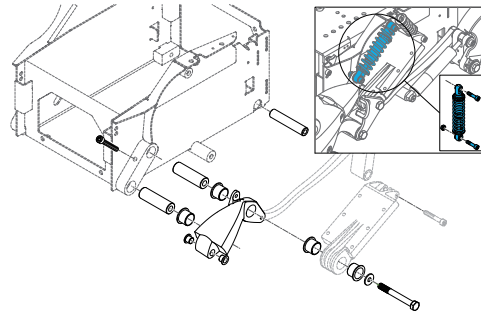
1600-162028

Quickie Power, Q700M Front Castor Arm Assembly
Left Hand Side (includes bearings)



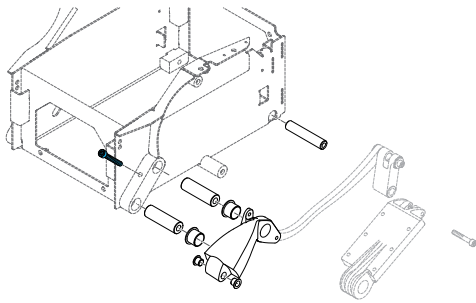
1600-162031

Quickie Power, Q700M Front Suspension/Shock Replacement Kit per side, Includes Strut And Mounting Bolts



1600-162032

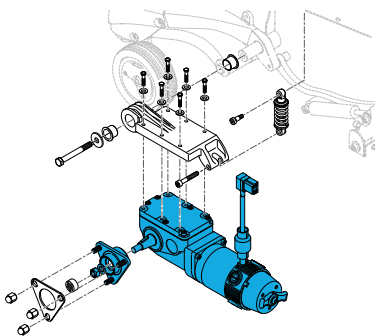
Quickie Power, Q700M Front Castor Limit Bolt, Pair



Motors

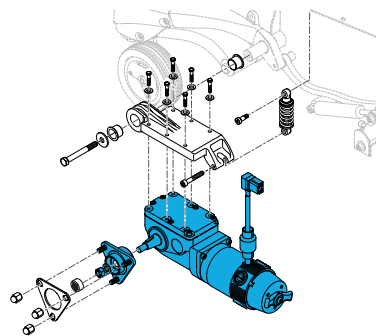
1600-24115

Quickie Power, Q700M 4-Pole Motor/Gearbox Assembly,
10kph Right side



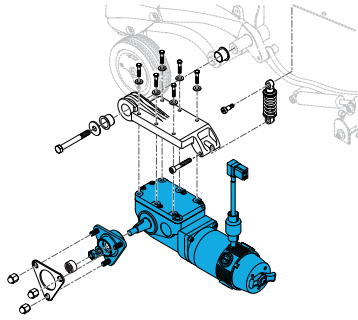
1600-24114

Quickie Power, Q700M 4-Pole Motor/Gearbox Assembly,
10kph Left side



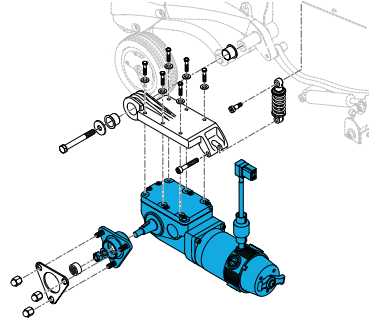
1600-163279

Quickie Power, Q700M 4-Pole Motor, 10kph with Suretrac encoder included, Left side



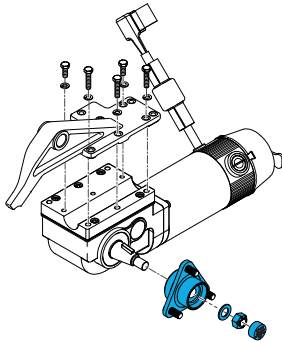
1600-163280

Quickie Power, Q700M 4-Pole Motor, 10kph with Suretrac encoder included, Right side



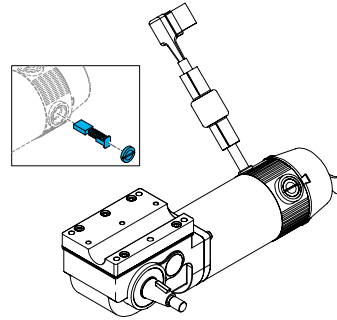
1600-161956

Quickie Power, 4 Pole Motor 3 Spoke Hub Kit



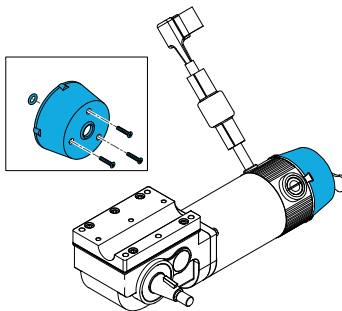
1600-112281

Quickie Power, 4 Pole Motor Brush Kit



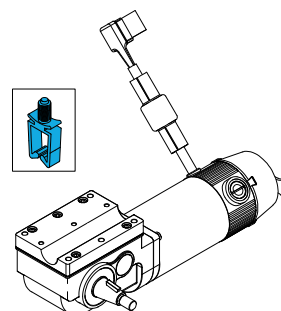
1600-112283

Quickie Power, 4 Pole Motor Brake Cover



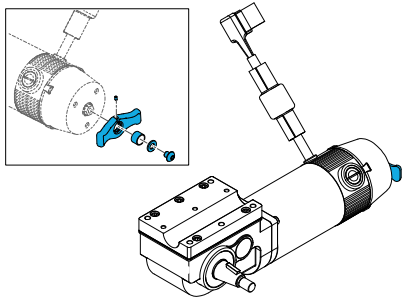
1600-124936

Quickie Power, Cable Clip, Wire Saddle



1600-252367

Quickie Power, 4 Pole Motor Brake Lever Set

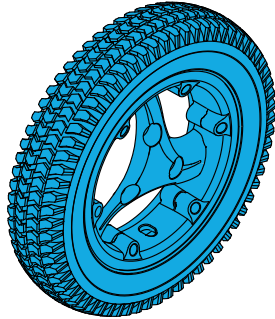


Drive Wheel

Complete Wheels

1600-243579

Quickie Power, Drive Wheel 14" x 3" With Knobby Black Dual Density Tires



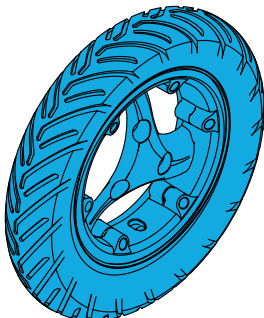
1600-244821

Quickie Power, Drive Wheel, 3-Spoke 14" With Left Hand V-Groove, Black Pneumatic Tires



1600-245540

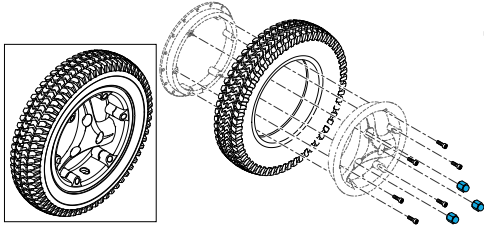
Quickie Power, Drive Wheel, 3-Spoke 14" With Right Hand V-Groove Black Pneumatic Tires



Wheel Parts

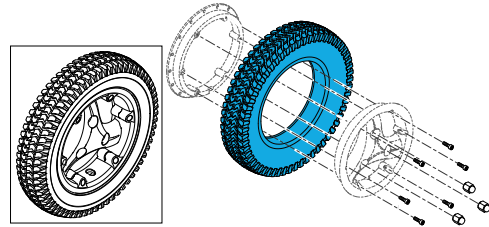
1600-161965

Quickie Power, Lug Nut Set (set of 3) For Drive Wheels



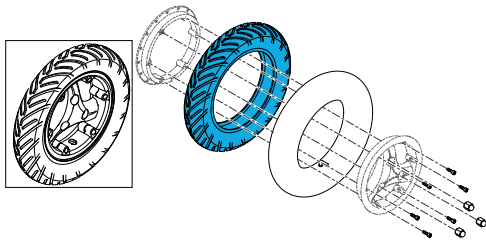
1600-120923

Quickie Power, Solid Drive Wheel, Knobby Tyre only per Each



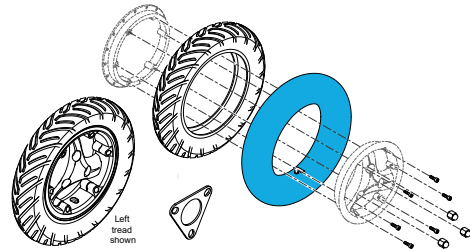
1600-031053

Quickie Power, 14" V Groove 3" x 8" Tyre Only Per Each



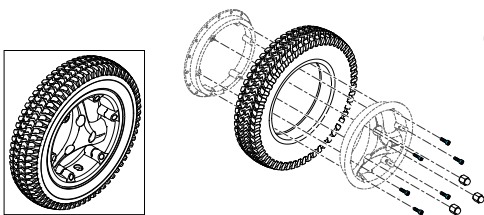
1600-384739

Quickie Power, 14" X 3" Wheel Inner Tube, 90D Stem



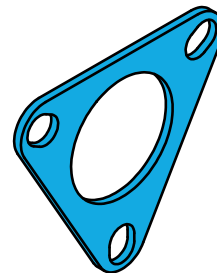
1600-163240

Quickie 16x1-3/4" Inner Tube



1600-22701207-001

Quickie Power, Motor Hub/Wheel Spacer 3 mm; Used with Pneumatic Tire on Drive Wheel

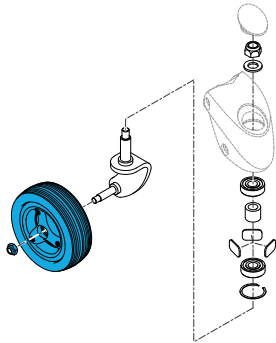


Castors

Q700M

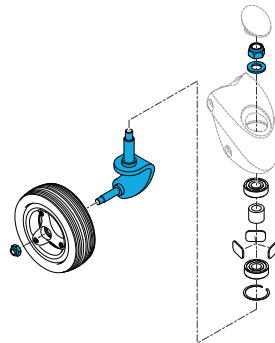
1600-134647

Quickie Power, Q700M Caster, 3 Spoke Black W/Blk Tyre; including bearings



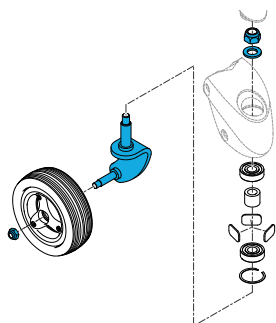
1600-247562

Quickie Power, Q700M Fork & Pintle Assembly RH



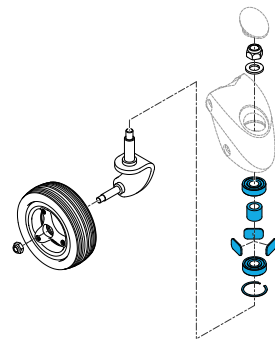
1600-247563

Quickie Power, Q700M Fork & Pintle Assembly LH



1600-247564

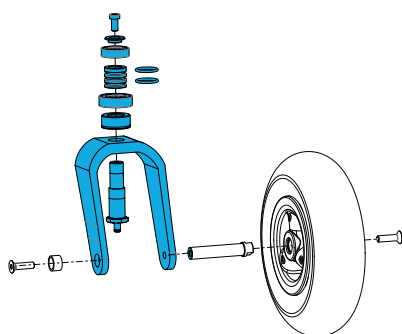
Quickie Power, Q700M Caster Bearing Kit



Q700R/F

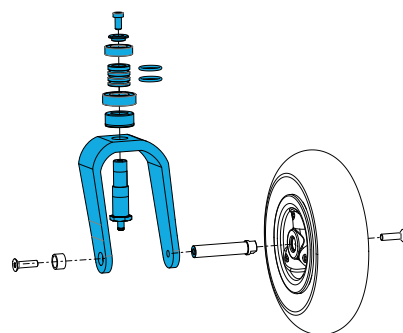
1600-22700070-001

Quickie Power Q700R 9" Fork & Pintle Assembly



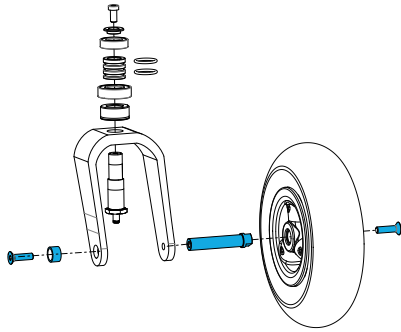
1600-22700071

Quickie Power, Q700R/F 10" Castor fork assembly

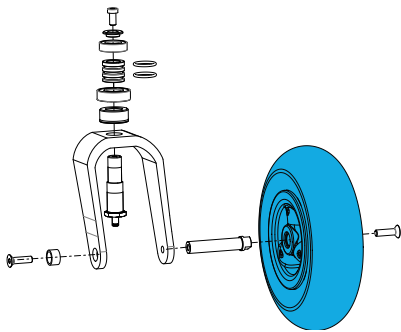


1600-22700087

Quickie Power, Q700R Caster Fork Fasteners for 9"



Quickie Power, Q700F/M/R ____" ____ Castor



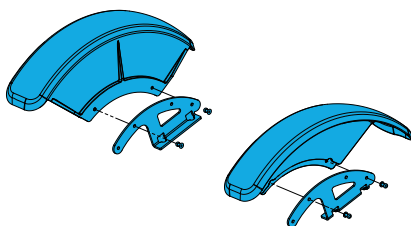
Size	Type	Product Codes
9 "	Solid	1600-22708015
9 "	Pneumatic	1600-22708016
10 "	Pneumatic	1600-22708024

Shrouds

Q700R/F

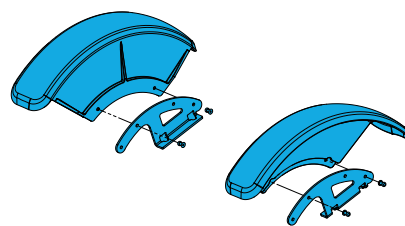
1600-22700055

Quickie Power, Q700R Fender Set for 14" Drive Wheel



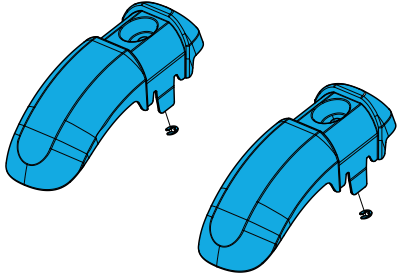
1600-22700056

Quickie Power, Q700F Fender Set for 14" Drive Wheel










1600-22700060

Quickie Power, Q700R/F Fender Set for 9" Castor Wheel



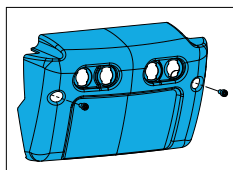
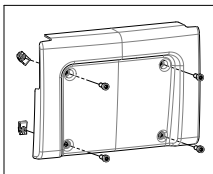
Quickie Power, Q700 F/R Colour Accent Kit _____



Colours	Product Codes
	1600-22700053_003
	1600-22700052-003
	1600-22700050-003
	1600-22700054-003
	1600-22700048-003
	1600-22700049-003
	1600-22700051-003

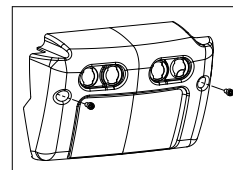
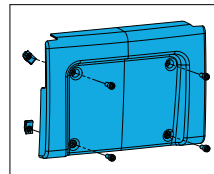
1600-22700079

Quickie Power, Q700R/F Black Rear Battery Cover, including mounting fasteners



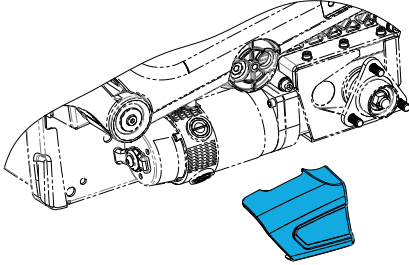
1600-22700086

Quickie Power, Q700R/F Black Front Battery Cover, including mounting fasteners



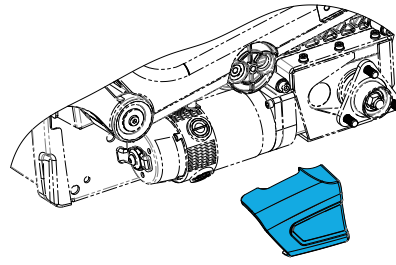
1600-22714008-001

Quickie Power, Q700R/F Motor cover, 4-pole, RWD = right,
FWD = left



1600-22714008-002

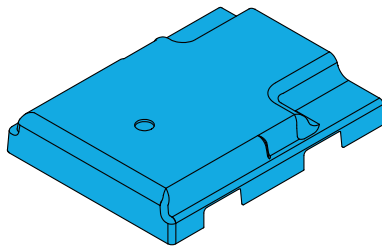
Quickie Power, Q700 R/F Motor cover, 4-pole, RWD = left,
FWD = right



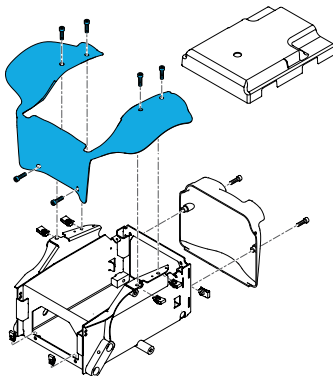
Q700M

1600-163175

Quickie Power, Adult Base Battery Shroud Kit, With Quickie
Label

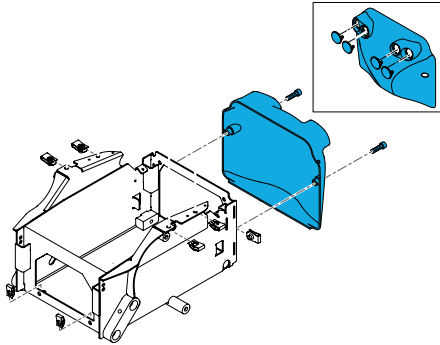










Quickie Power, Q700M Main Shroud W/Hardware _____



Colours	Product Codes
●	1600-163170
🇺🇸	1600-163708
●	1600-163710
●	1600-163711
●	1600-163709
●	1600-163712
●	1600-163713
●	1600-163714

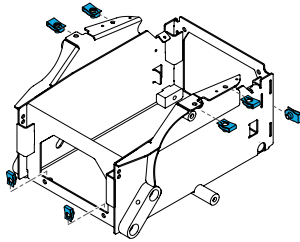
Quickie Power, Q700M Rear Shroud W/Hardware _____



Colours	Product Codes
	1600-163763
	1600-163762
	1600-163764
	1600-163761
	1600-163765
	1600-163766
	1600-163767
	1600-163174








1600-162362

Quickie Power, Q700M Shroud U-Nut Kit/Hardware



Quickie Power, Q700M Color Accent Kit _____



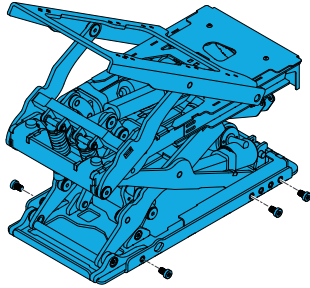
Colours	Product Codes
	1600-162042
	1600-162043
	1600-162044
	1600-162045
	1600-162046
	1600-162047
	1600-247035

Tilt & Lift Cassette

Assembly

1600-163327

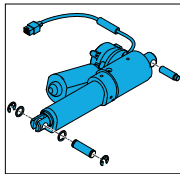
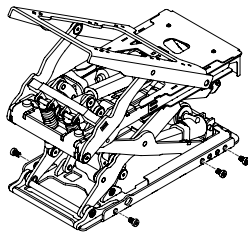
Quickie Power, Sedeo Pro Tilt/Lift Combi Seating Cassette
Complete Assembly with Fasteners; Includes Actuators and
Cables



Parts

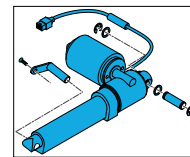
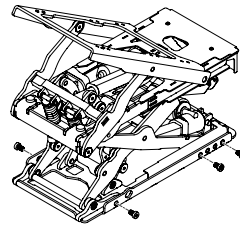
1600-163476

Quickie Power, Sedeo Pro Tilt Actuator Only With
Fasteners



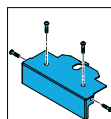
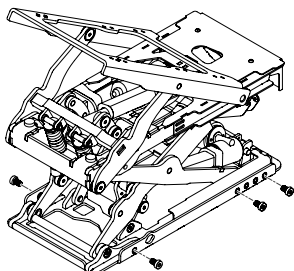
1600-163477

Quickie Power, Sedeo Pro Lift Actuator Only With
Fasteners



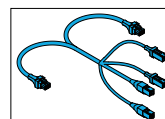
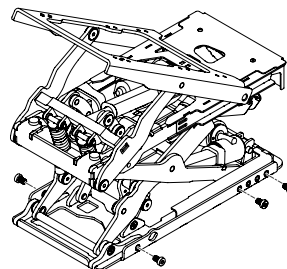
1600-20010139

Quickie Power, Sedeo Pro Seating Cable track Cover only
Incl mounting Fasteners



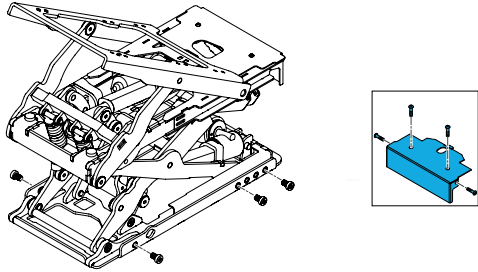
1600-248517

Quickie Power, Sedeo Pro Tilt/Lift Combo Harness
Wiring



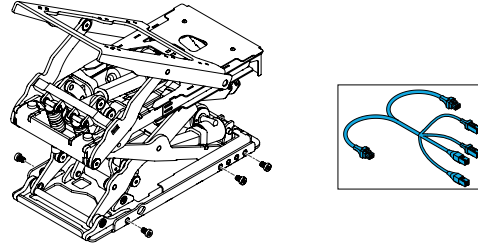
1600-20010139

Quickie Power, Sedeo Pro Seating Cable track Cover only
Incl mounting Fasteners



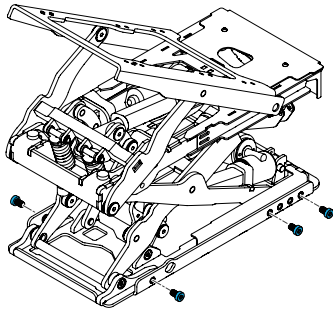
1600-248517

Quickie Power, Sedeo Pro Tilt/Lift Combo Harness
Wiring



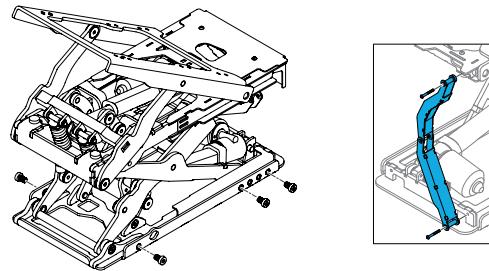
1600-248502

Quickie Power, Sedeo Pro Cassette Mounting Bolts
M8*1.25*13



1600-20010137

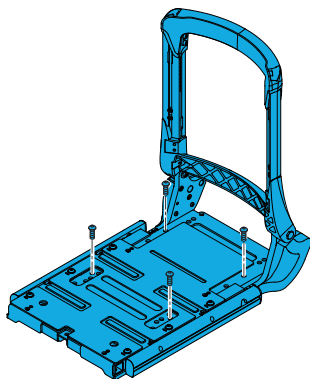
Quickie Power, Sedeo Pro Cassette Cable Track Incl
mounting Fasteners



Sedeo Pro Seating Assemblies

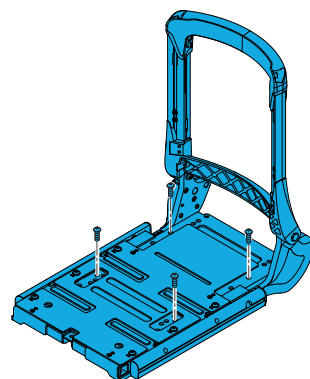
1600-163831

Quickie Power, Sedeo Pro, Tool Adjustable Fixed Back,
Short Seat Complete Assembly



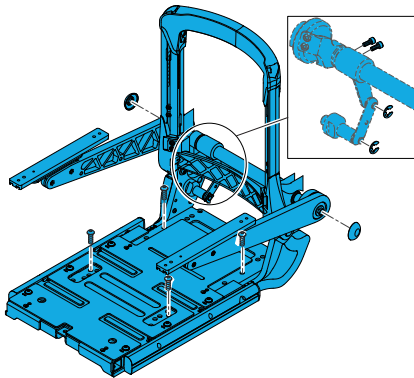
1600-163833

Quickie Power, Sedeo Pro, Tool Adjustable Fixed Back,
Long Seat Complete Assembly



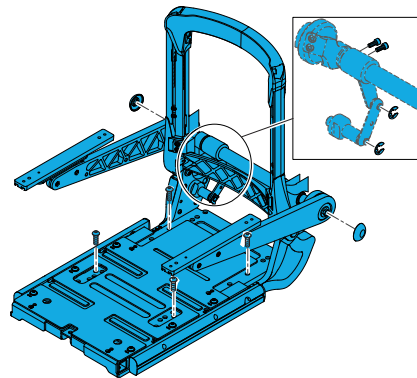
1600-163832

Quickie Power, Sedeo Pro, Tool Adjustable Fixed Back, Short
Seat Complete Assembly With Cantilever Armrests



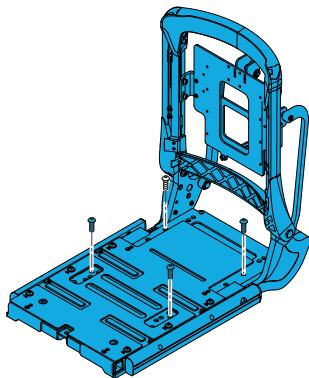
1600-163834

Quickie Power, Sedeo Pro, Tool Adjustable Fixed Back, Long
Seat Complete Assembly With Cantilever Armrests



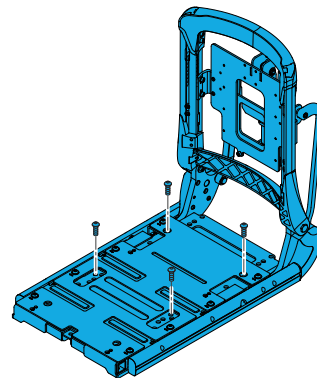
1600-163839

Quickie Power, Sedeo Pro, 130 Degree Power Recline, Short
Seat Complete Assembly



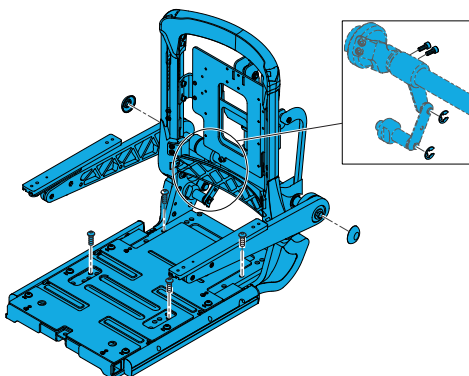
1600-163841

Quickie Power, Sedeo Pro, 130 Degree Power Recline,
Long Seat Complete Assembly



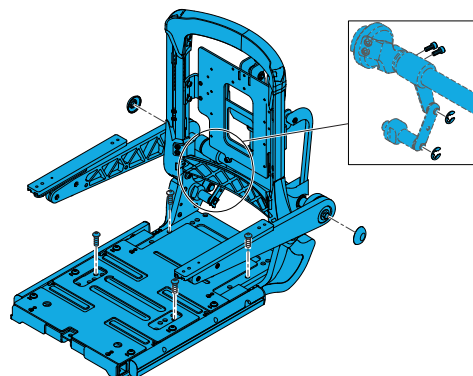
1600-163840

Quickie Power, Sedeo Pro, 130 Degree Power Recline,
Short Seat Complete Assembly With Cantilever Armrests



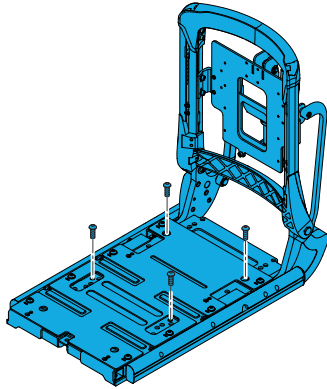
1600-163842

Quickie Power, Sedeo Pro, 130 Degree Power Recline, Long
Seat Complete Assembly With Cantilever Armrests



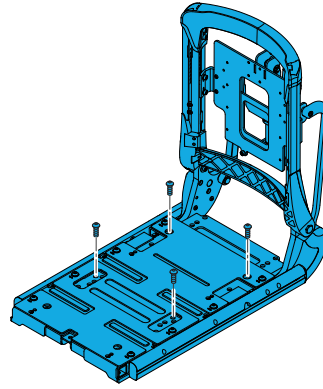
1600-163843

Quickie Power, Sedeo Pro, 150 Anti-Shear Degree Power Recline, Short Seat Complete Assembly



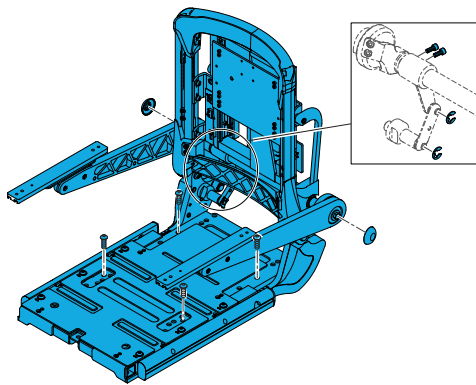
1600-163845

Quickie Power, Sedeo Pro, 150 Anti-Shear Degree Power Recline, Long Seat Complete Assembly



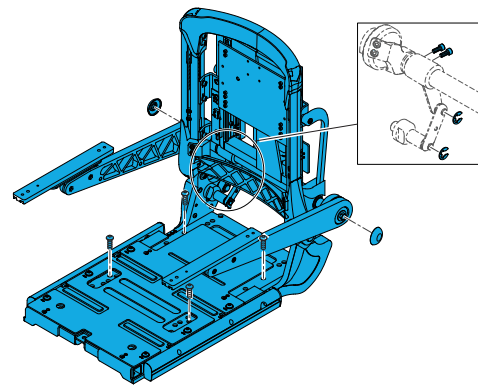
1600-163844

Quickie Power, Sedeo Pro, 150 Anti-Shear Degree Power Recline, Short Seat Complete Assembly With Cantilever Armrests



1600-163846

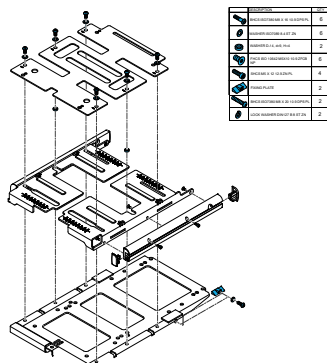
Quickie Power, Sedeo Pro, 150 Anti-Shear Degree Power Recline, Long Seat Complete Assembly With Cantilever Armrests



Seat Frame Short

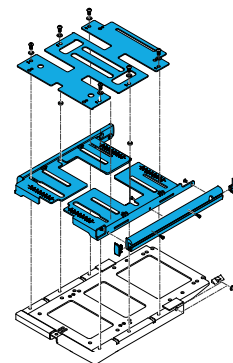
1600-163323

Quickie Power, Sedeo Pro Short Seat Plate Hardware Kit



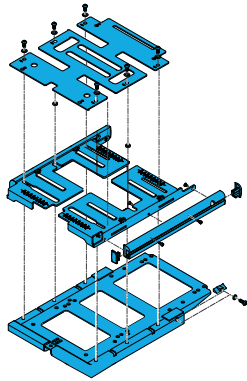
1600-22502019

Quickie Power, Sedeo Pro To Convert Seat Assembly from Long (19-22" Deep) to Short (16-20" Deep)



1600-22502000-001

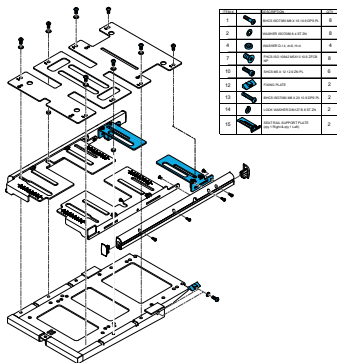
Quickie Power, Sedeo Pro Seat Assembly Complete Assembly Short 16-20" Depth



Seat Frame Long

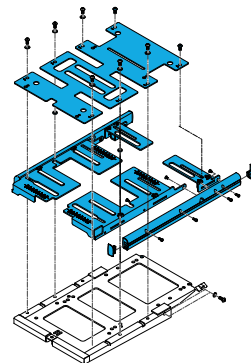
1600-163324

Quickie Power, Sedeo Pro Long Seat Plate Hardware Kit



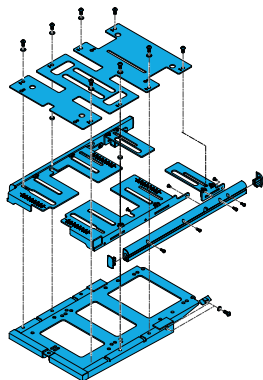
1600-22502015

Quickie Power, Sedeo Pro To Convert Seat Assembly from Short (16-20" Deep) to Long (19-22" Deep)



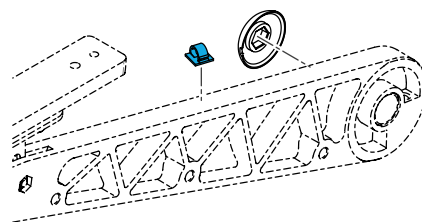
1600-22502000-002

Quickie Power, Sedeo Pro Seat Assembly Complete Assembly Long (19-22" Deep)



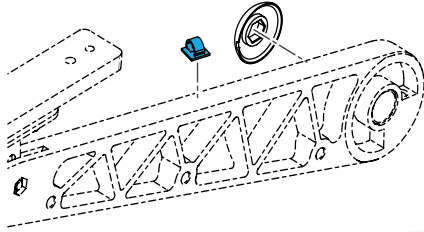
1600-341220

Quickie Power, Sedeo Pro Cable Clip, Used with 2 cables



1600-560794

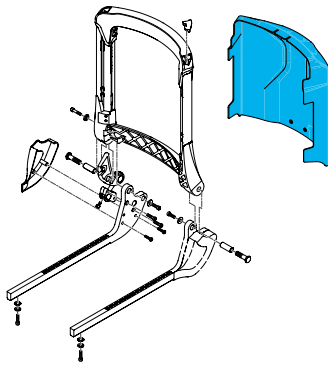
Quickie Power, Sedeo Pro Cable Clip, Used with 1 Cable



Back Frame Universal

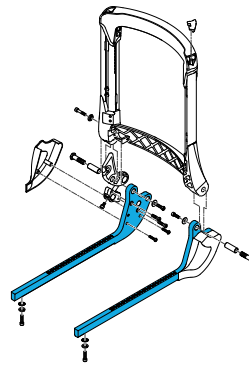
1600-22503057

Quickie Power, Sedeo Pro Fixed Back Cover/Shroud



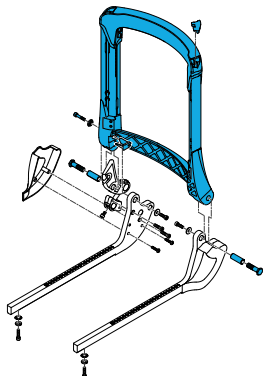
1600-22502024

Quickie Power, Sedeo Pro Shift Piece, Back Frame
Seat Rail Per Each, including Hardware



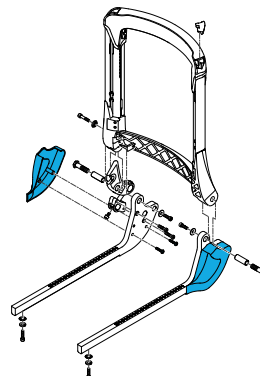
1600-22503020

Quickie Power, Sedeo Pro Back Frame Assembly



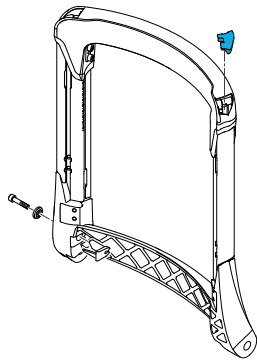
1600-163340

Quickie Power, Sedeo Pro Fixed Back, Shift Piece
Cover Kit



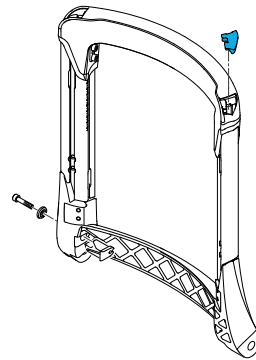
1600-22503116-001

Quickie Power Sedeo Pro Back Cane Cap LHS



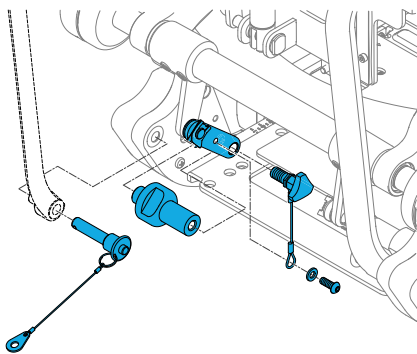
1600-22503116-002

Quickie Power Sedeo Pro Back Cane Cap RHS



1600-163949

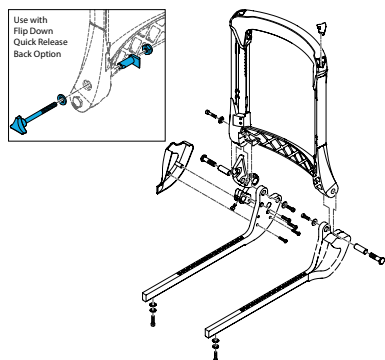
Quickie Power, Sedeo Pro Power Recline Back Quick Release Hardware Kit



Back Frame Fixed Back

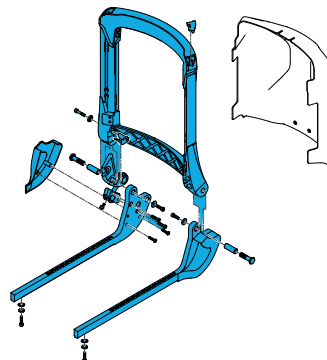
1600-163948

Quickie Power, Sedeo Pro Quick Release Upgrade Assembly



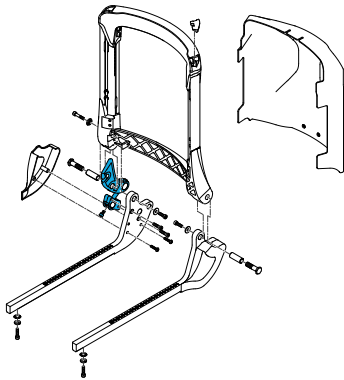
1600-22500101

Quickie Power, Sedeo Pro Fixed Backrest Complete Assembly



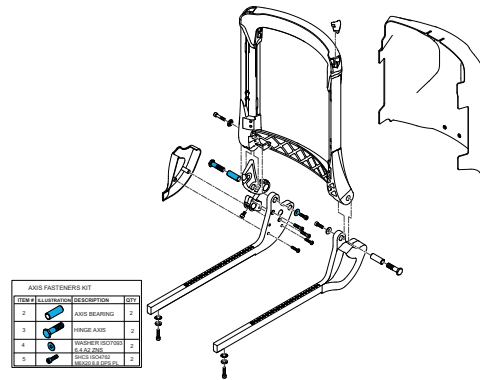
1600-22503210

Quickie Power, Sedeo Pro Fixed Backrest Recline Mechanism



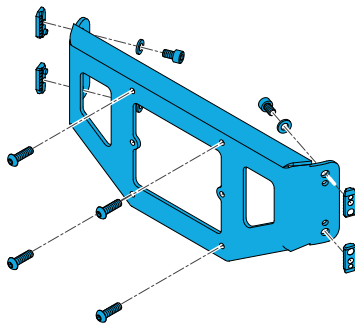
1600-163343

Quickie Power, Sedeo Pro Fixed Back Hinge/Axis Fasteners Kit



1579-248123

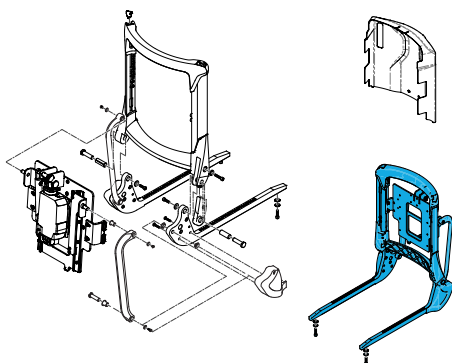
J3/Spex Sedeo Pro Fixed back adaptor 18" w



Power Semi-Recline Back (130 Degrees)

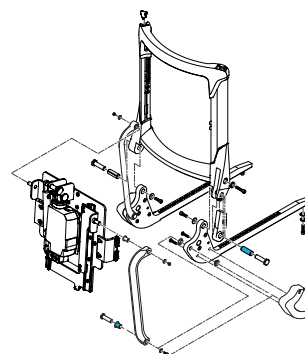
1600-22500102

Quickie Power, Sedeo Pro Power Semi-Recline Back Assembly
(does not include Actuator)



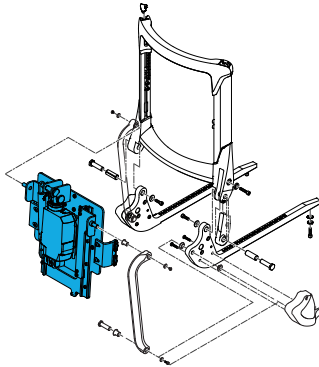
1600-163342

Quickie Power, Sedeo Pro Recline Back Bushing kit



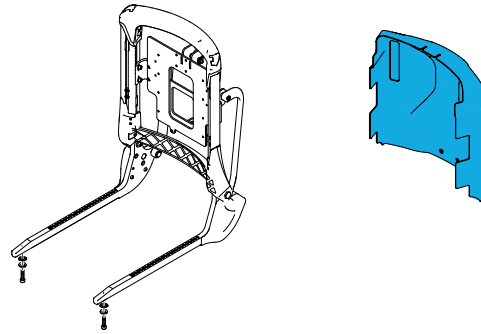
1600-22503300-001

Quickie Power, Sedeo Pro Power Semi-Recline Actuator Assembly



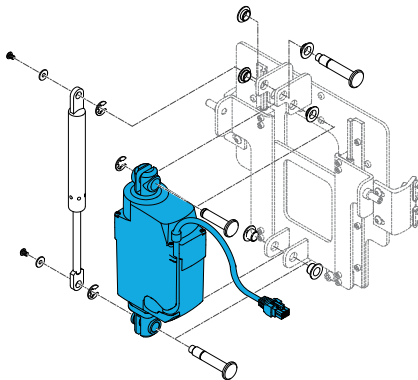
1600-22503056

Quickie Power, Sedeo Pro Power Recline Back Cover/ Shroud



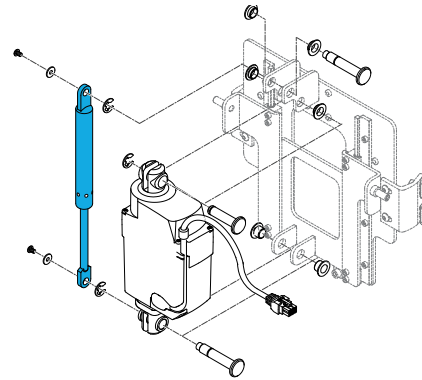
1600-163448

Quickie Power, Sedeo Pro Power Semi-Recline Actuator Only



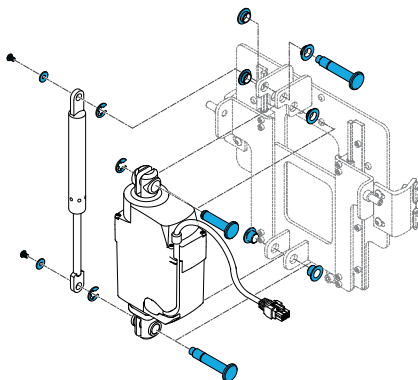
1600-163568

Quickie Power, Sedeo Pro Power Semi-Recline Gas Strut Only



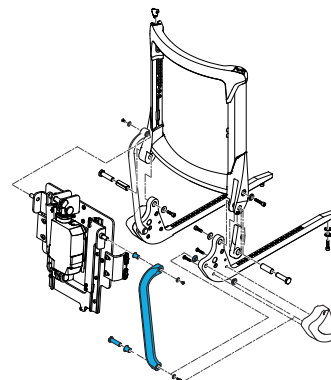
1600-163569

Quickie Power, Sedeo Pro Power Semi-Recline Actuator Fasteners/Hardware Kit



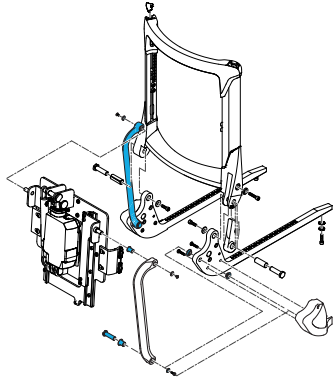
1600-22503100-002

Quickie Power, Sedeo Pro Power Recline Linkage Assembly Right side



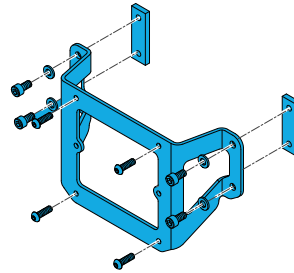
1600-22503100-001

Quickie Power, Sedeo Pro Power Recline Linkage Assembly
Left Side



1600-248128

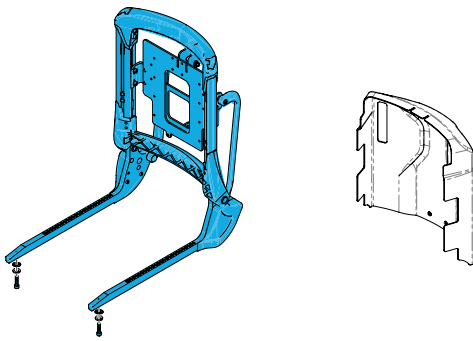
J3 Back Hardware Power Pro 20" (for 16" to 20" width)



Full Power Recline Back (150°) with Anti Shear

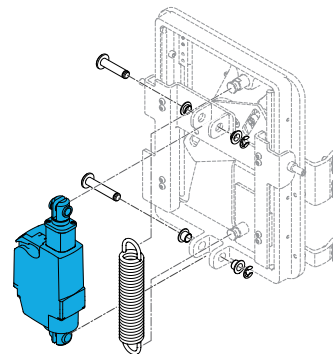
1600-253371

Quickie Power, Sedeo Pro Power Shear-Recline Backrest Kit,
Without Actuator, After S/N Q7MP-086838 / Q5MP-095960



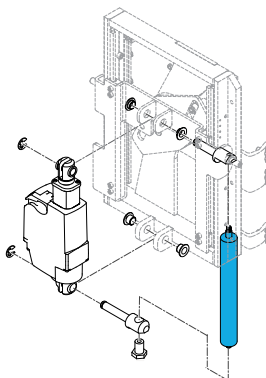
1600-163478

Quickie Power, Sedeo Pro Power Shear-Recline Actuator Only



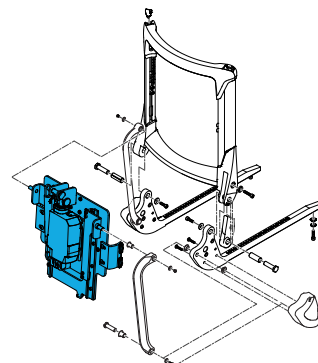
1600-163567

Quickie Power, Sedeo Pro Power Shear-Recline Backrest Actuator
Gas Pull Spring



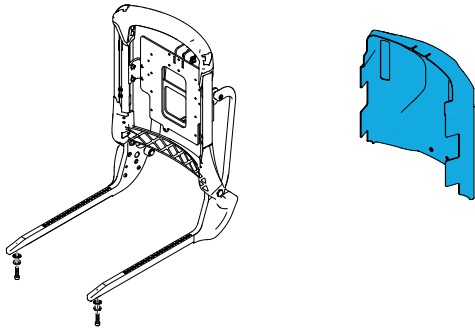
1600-22503000-001

Quickie Power, Sedeo Pro Power Shear-Recline Actuator
Assembly



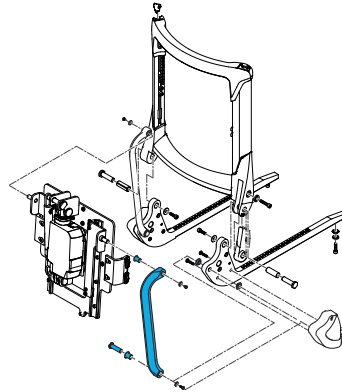
1600-22503056

Quickie Power, Sedeo Pro Power Recline Back Cover/Shorud



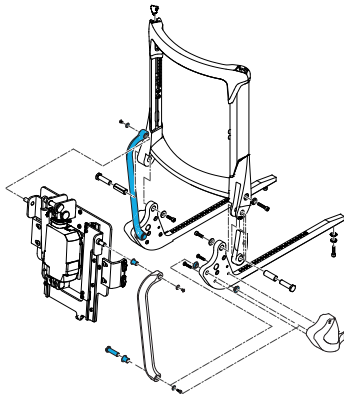
1600-22503100-002

Quickie Power, Sedeo Pro Power Recline Linkage Assembly
Right side



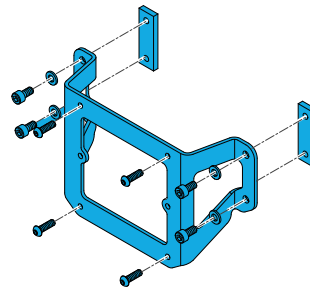
1600-22503100-001

Quickie Power, Sedeo Pro Power Recline Linkage Assembly
Left Side



1600-248128

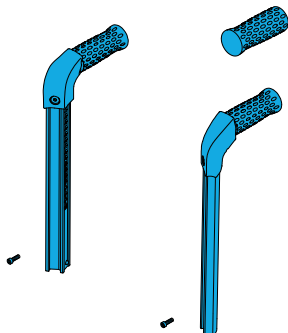
J3 Back Hardware Power Pro 20" (for 16" to 20" width)



Accessory

1600-163481

Quickie Power, Sedeo Pro Push Handles Pair

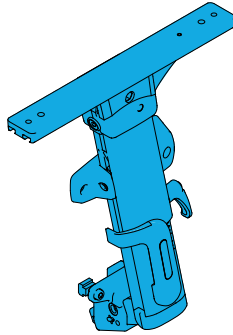


Sedeo Pro Armrests

Assemblies

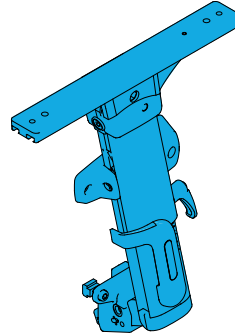
160-163362

Sedeo Pro Single Post Height Adjustable Armrest Right Side



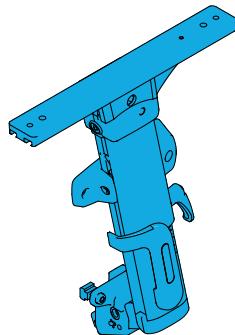
1600-163363

Sedeo Pro Single Post Height Adjustable Armrest Left Side



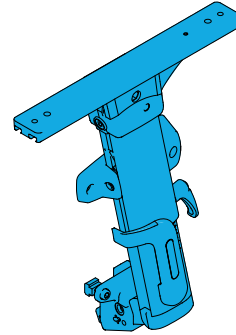
1600-163366

Sedeo Pro Flip Back Single Post Height Adjustable Armrest Right Side



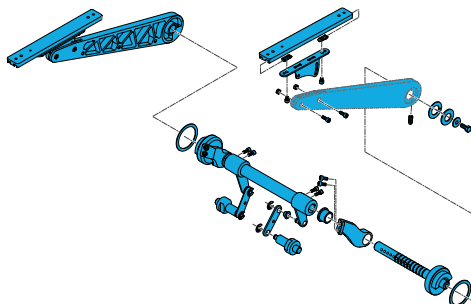
1600-163367

Sedeo Pro Flip Back Single Post Height Adjustable Armrest Left Side



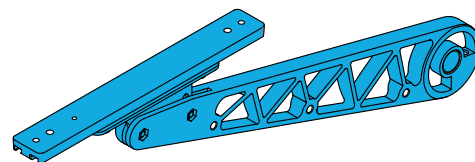
1600-22504010

Quickie Power, Sedeo Pro Reclining Flip Back Armrest Assembly



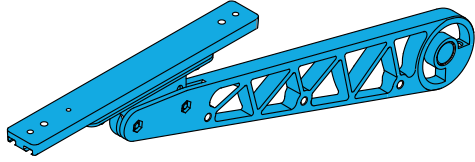
1600-22504020-002

Quickie Power, Sedeo Pro Reclining Flip Back ArmRest Assembly Right Side



1600-22504020-001

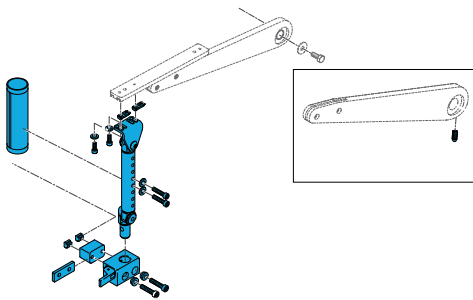
Quickie Power, Sedeo Pro Reclining Flip Back ArmRest Assembly Left Side



2 Pt Armrest Lock

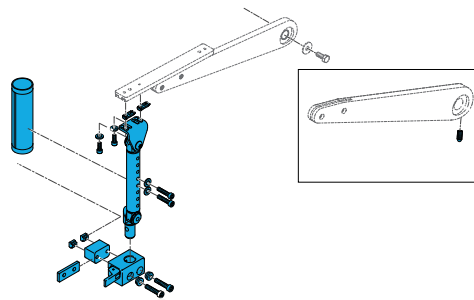
1600-247172

Quickie Power 2nd Attachment point for Cantilever Armrest LHS



1600-247167

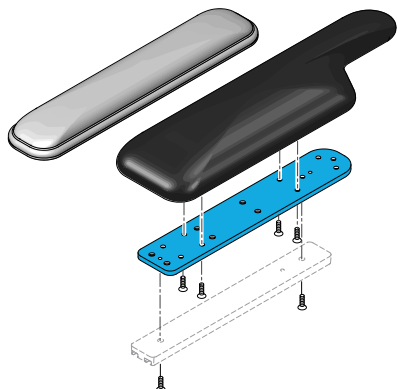
Quickie Power 2nd Attachment point for Cantilever Armrest RHS



Mounting Parts

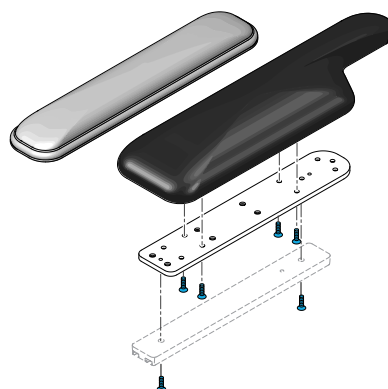
1600-248518

Quickie Power Sedeo Pro Armrest Adaptor Plate



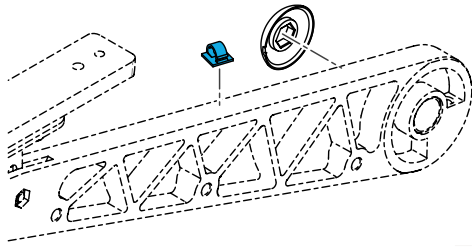
1600-103499-006

Quickie Power, Sedeo Pro Armrest Screw. M5X16 8.9



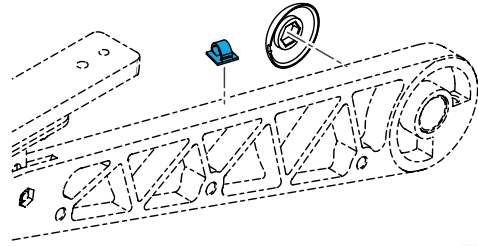
1600-341220

Quickie Power, Sedeo Pro Cable Clip, Used with 2 cables



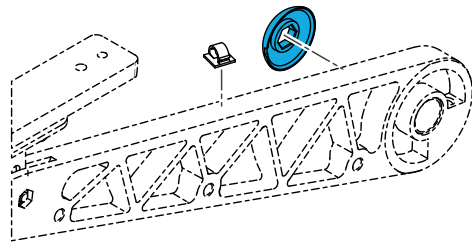
1600-560794

Quickie Power, Sedeo Pro Cable Clip, Used with 1 Cable



1600-22504222-001

Quickie Power, Sedeo Pro Reclining Flip Back Armrest
Pivot Cover Black

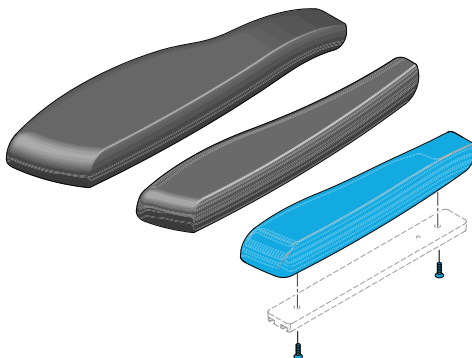


Armrest Pads

Standard Sedeo Pad

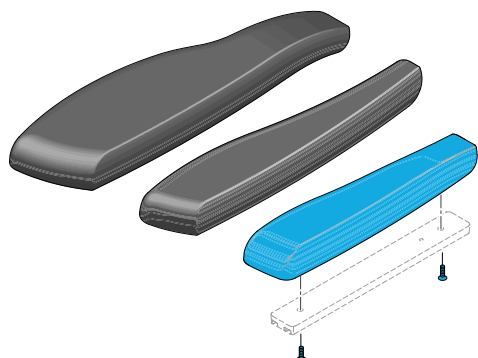
1600-163356

Quickie Power, Sedeo Pro Standard Armrest Pad 30 LH



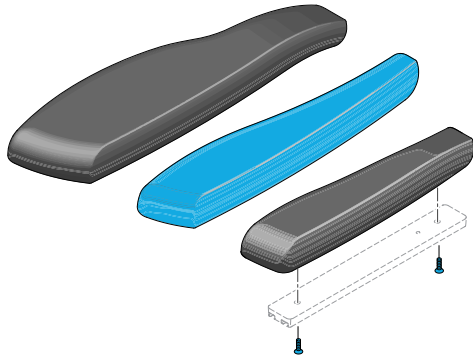
1600-163357

Quickie Power, Sedeo Pro Standard Armrest Pad 30 RH



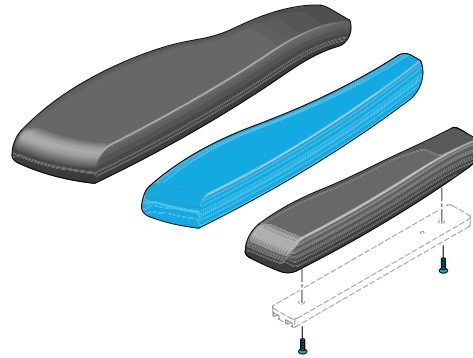
1600-163359

Quickie Power, Sedeo Pro Arm Pad 400 RHS



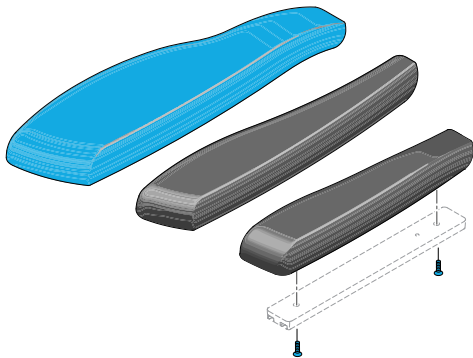
1600-163358

Quickie Power, Sedeo Pro Arm Pad 400 LHS



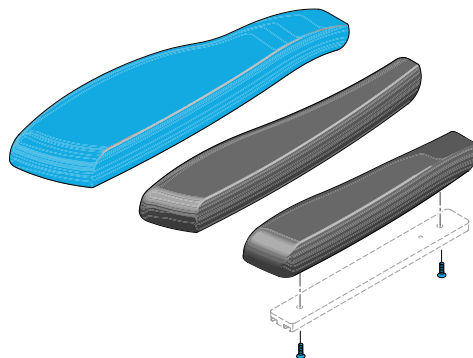
1600-163361

Quickie Power, Sedeo Large Standard Armrest Pad 45 RH



1600-163360

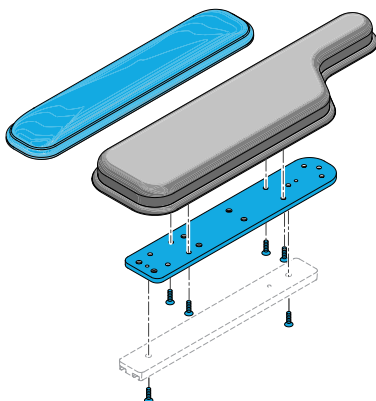
Quickie Power, Sedeo Large Standard Armrest Pad 45 LH



Comfort Gel Armrest Pad

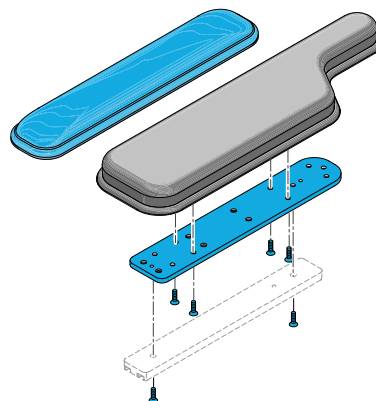
1600-163345

Quickie Power, Sedeo Pro Comfort 2" Wide Gel Arm Pad,
Left Side



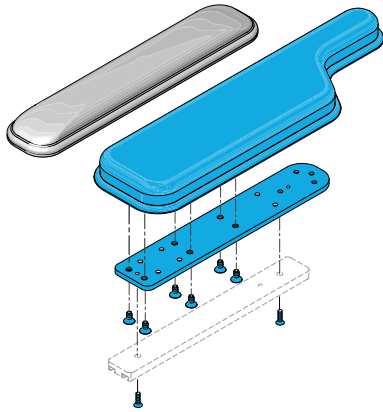
1600-163344

Quickie Power, Sedeo Pro Comfort 2" Wide Gel Arm Pad,
Right Side



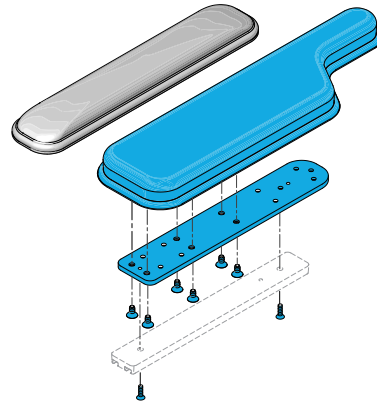
1600-163347

Quickie Power, Sedeo Pro Comfort 4" Wide Gel Arm Pad,
Left Side



1600-163346

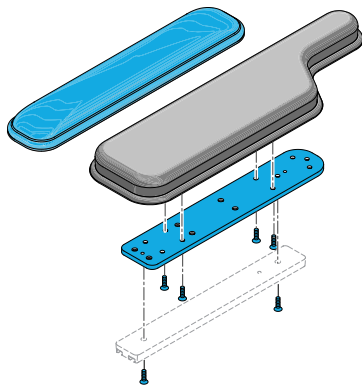
Quickie Power, Sedeo Pro Comfort 4" Wide Gel Arm Pad,
Right Side



Comfort Foam Armrest Pad

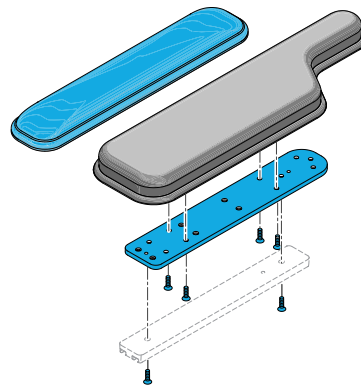
1600-163352

Quickie Power, Sedeo Pro Comfort 2" Wide Foam Arm Pad,
Left Side



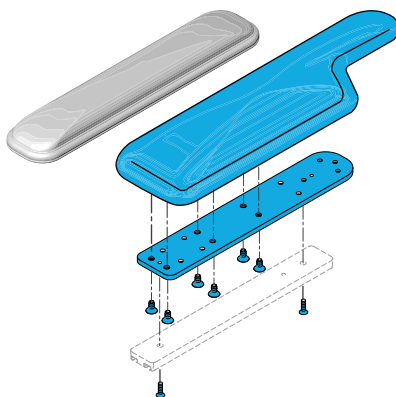
1600-163353

Quickie Power, Sedeo Pro Comfort 2" Wide Foam Arm Pad,
Right Side



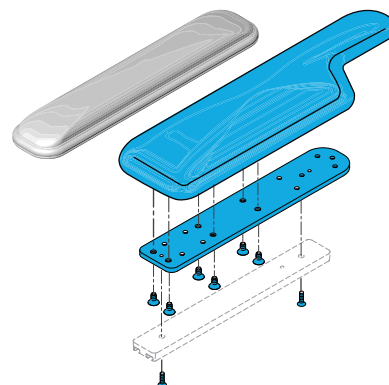
1600-163354

Quickie Power, Sedeo Pro Comfort 4" Wide Foam Arm Pad,
Left Side



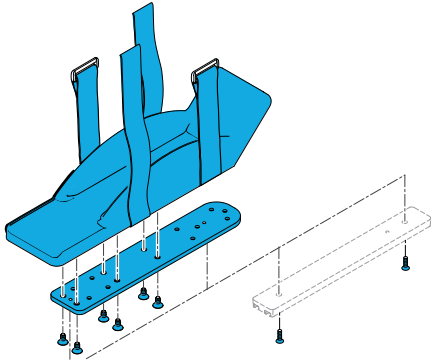
1600-163355

Quickie Power, Sedeo Pro Comfort 4" Wide Foam Arm Pad,
Right Side



Gel Trough Armrest Pad

Quickie Power, Sedeo Pro ____ Gel Trough Assembly ____ Side,

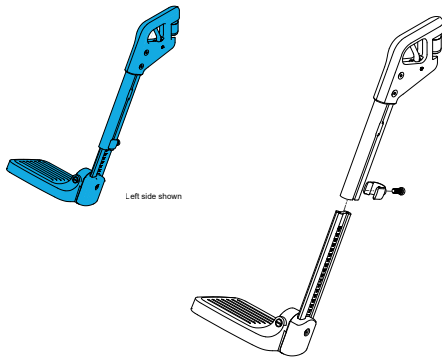


Size	Side	Width	Product Codes
Large	Left	4.5" x 14.5"	1600-163350
Large	Right	4.5" x 14.5"	1600-163351
Medium	Left	3.5" x 13"	1600-163348
Medium	Right	3.5" x 13"	1600-163349

Sedeo Pro Legrests

Swing Away 70 Degree Assembly

Quickie Power, Sedeo Pro Swingaway 70 Degree hanger & Extension Mount Footplate Assembly for ____" ____ Side

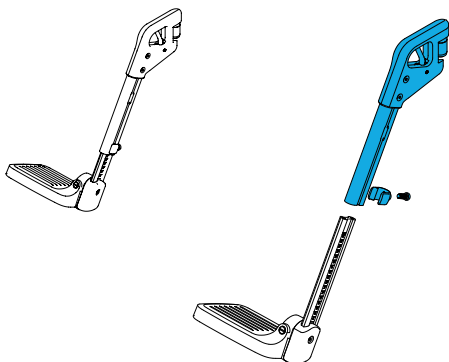


Size	Side	Product Codes
15"-16"	Left	1600-163370
15"-16"	Right	1600-163369
17"-18"	Left	1600-163372
17"-18"	Right	1600-163371
19"-20"	Left	1600-163374
19"-20"	Right	1600-163373
21"-22"	Left	1600-163376
21"-22"	Right	1600-163375

Swing Away 70 Degree hangers

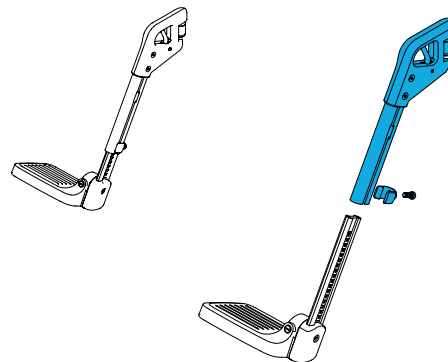
1600-22505215-001

Quickie Power, Sedeo Pro Swingaway 70 Degree Hanger Only
Left Side



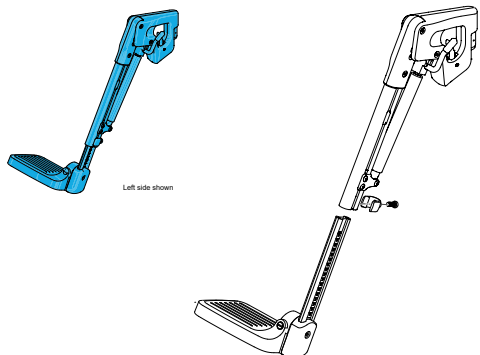
1600-22505215-002

Quickie Power, Sedeo Pro Swingaway 70 Degree Hanger Only
Right Side



Swingaway Manual ELR Assembly

Quickie Power, Sedeo Pro Swingaway Manual ELR hanger & Extension Mount Footplate Assembly for _____" _____ Side

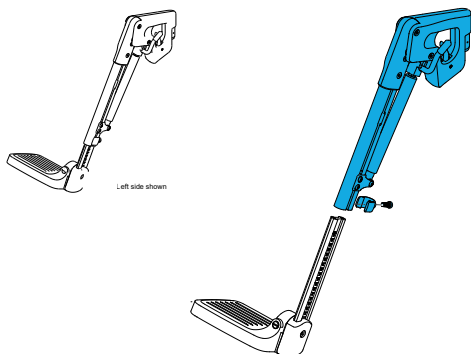


Size	Side	Product Codes
15"-16"	Left	1600-163378
15"-16"	Right	1600-163379
17"-18"	Left	1600-163380
17"-18"	Right	1600-163381
19"-20"	Left	1600-163382
19"-20"	Right	1600-163383
21"-22"	Left	1600-163384
21"-22"	Right	1600-163385

Swingaway Manual ELR Hangers

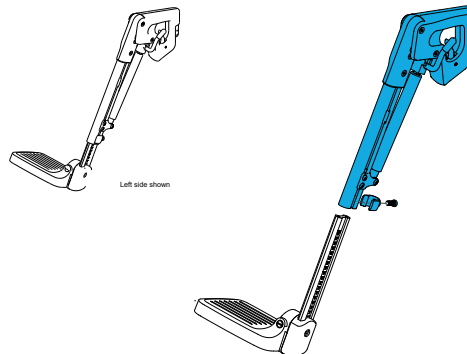
1600-22505214-001

Quickie Power, Sedeo Pro Swingaway Manual ELR Hanger
Only Left Side



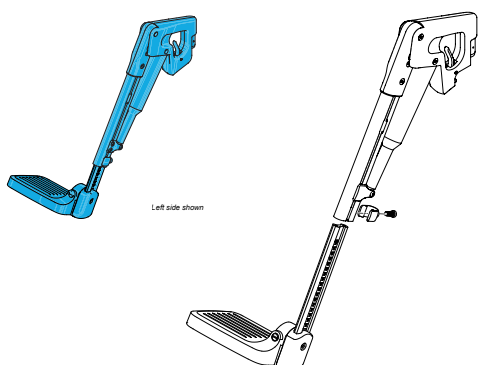
1600-22505214-002

Quickie Power, Sedeo Pro Swingaway Manual ELR Hanger
Only Right Side



Swingaway Power ELR Assembly

Quickie Power, Sedeo Pro Swingaway Power ELR hanger & Extension Mount Footplate Assembly for _____" _____ Side

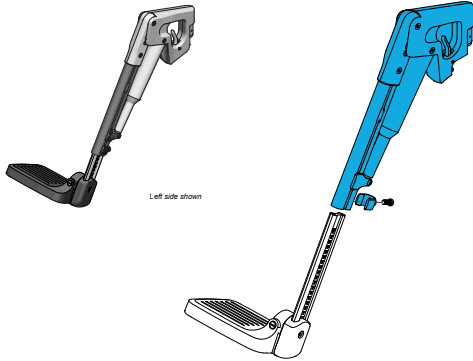


Size	Side	Product Codes
15"-16"	Left	1600-163386
15"-16"	Right	1600-163387
17"-18"	Left	1600-163388
17"-18"	Right	1600-163389
19"-20"	Left	1600-163390
19"-20"	Right	1600-163391
21"-22"	Left	1600-163392
21"-22"	Right	1600-163393

Swingaway Power ELR Hangers

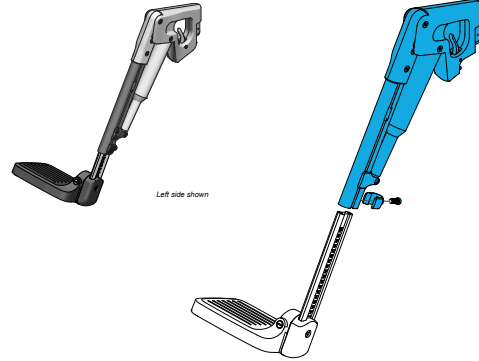
1600-22505216-001

Quickie Power, Sedeo Pro Swingaway Power ELR Hanger
Only Left Side



1600-22505216-002

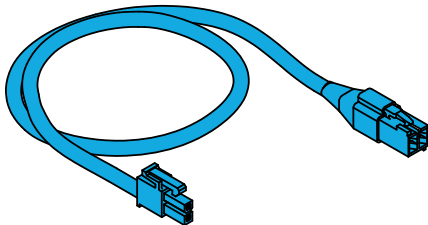
Quickie Power, Sedeo Pro Swingaway Power ELR Hanger
Only Right Side



Swingaway Power ELR Cables

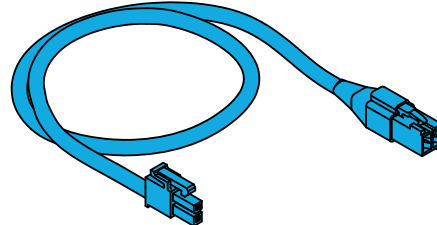
1600-22511004

Quickie Power, Sedeo Pro/Lite Swingaway Hanger Mount,
Harness Cable



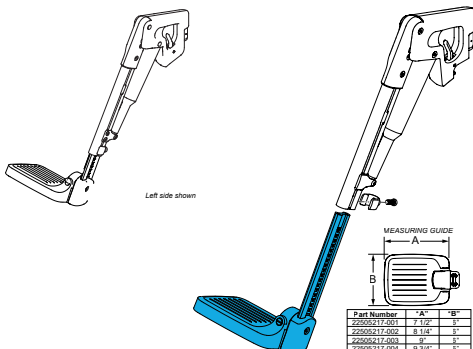
1600-22511005

Quickie Power, Sedeo Pro Swingaway Power ELR Right or Left
Actuator-ISM Cable



Sedeo Pro Extension Footplates

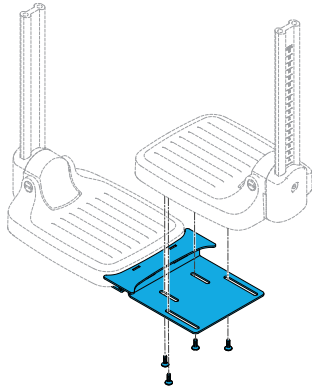
Quickie Power, Sedeo Pro Extension Mount Footplate
Assembly _____" Universal Per Each



Width	Product Codes
15-16 "	1600-22505217-001
17-18 "	1600-22505217-002
19-20 "	1600-22505217-003
21-22 "	1600-22505217-004

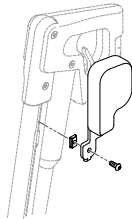
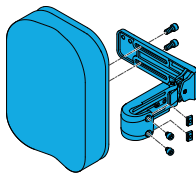
1600-90005040

Quickie Power, Sedeo Pro Footplate Coupler Kit



Sedeo Knee & Calf Pads

Quickie Power, Sedeo Pro Upholstered Calf pad, Pair Assembly for _____" Wide Chairs, Includes Mounting Brackets

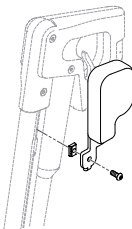
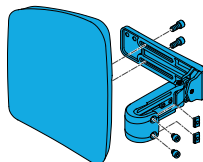


Part Number	A	B	C
60005052-004	6 1/2"	2 1/2"	2 1/2"
60005050-002	7 1/2"	3 1/2"	2 1/2"
60005052-001	8 1/2"	3 1/2"	2 1/2"

Width	Product Codes
15-16 "	1600-163403
17-20 "	1600-163404
21-22 "	1600-163405

1600-9010430

Quickie Power, Sedeo Pro Integral Style Calf Pad, Pair Assembly for 18-20" Wide Chairs

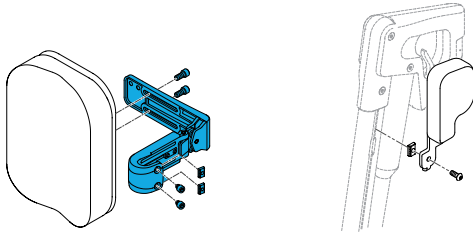


MEASURING GUIDE

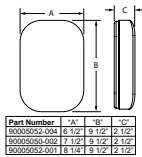
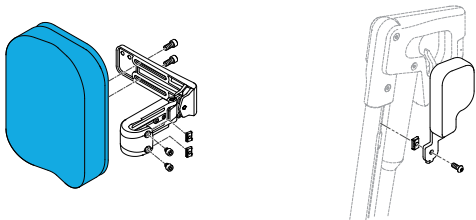
Part Number	D	E	F
6003198	7"	18 3/4"	1"

1600-9010160

Quickie Power, Sedeo Pro Calf Pad Mounting Bracket Assembly
Each



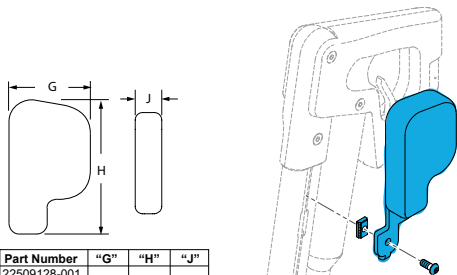
Quickie Power, Sedeo Pro Upholstered Calf Pad Pair for
_____ " Wide Chairs



Width	Product Codes
15-16 "	1600-90005052-004
17-20 "	1600-90005050-002
21-22 "	1600-90005052-001

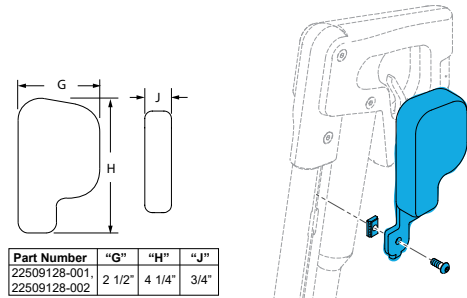
1600-22509128-002

Quickie Power, Sedeo Pro Knee Pad/Cushion For Right Side
Swingaway Hanger



1600-22509128-001

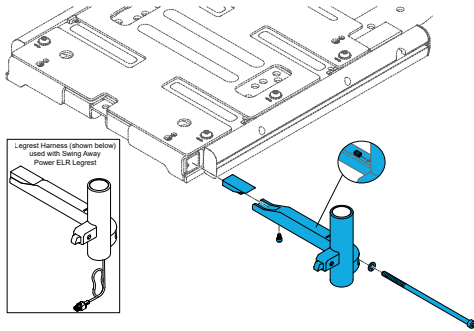
Quickie Power, Sedeo Pro Knee Pad/Cushion For Left Side
Swingaway Hanger



Sedeo Pro Swingaway Mounts

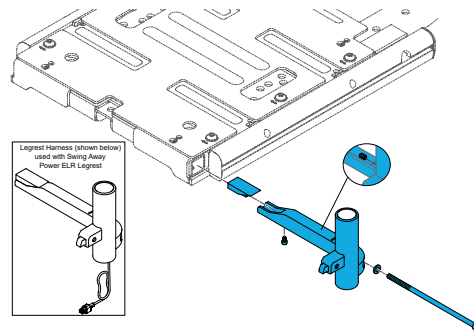
1600-163482

Quickie Power, Sedeo Pro/Lite Swingaway Hanger Mount
Right Side



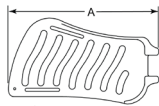
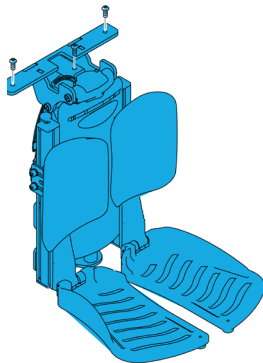
1600-163483

Quickie Power, Sedeo Pro/Lite Swingaway Hanger Mount
Left Side



Power Centre Mount Mechanical Extension Assembly

Quickie Power, Sedeo Pro Power Center Mount Assembly
____ Footplate With ____ Calf Pads



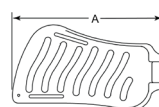
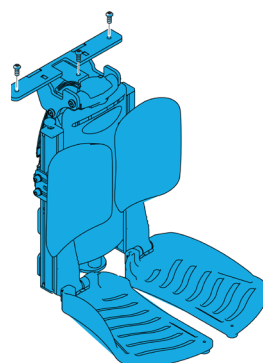
MEASURING GUIDE

DIM A	DESCRIPTION
11.25"	STANDARD
13.25"	LARGE

Footplates	Calf Pads	Product Codes
Standard	Standard	1600-163394
Large	Standard	1600-163395
Large	Large	1600-163396

Power Centre Mount Power Extension Assembly

Quickie Power, Sedeo Pro Power Center Mount ELR with Power
Ext Assembly ____ Footplate With ____ Calf Pads



MEASURING GUIDE

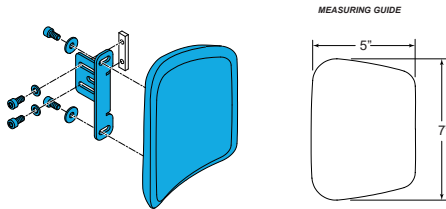
DIM A	DESCRIPTION
11.25"	STANDARD
13.25"	LARGE

Footplates	Calf Pads	Product Codes
Standard	Standard	1600-163400
Large	Standard	1600-163401
Large	Large	1600-163402

Power Centre Mount Parts

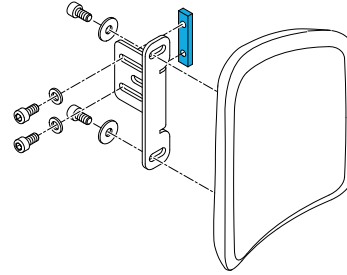
1600-22505027

Quickie Power, Sedeo Pro Power Center Mount Calf Pad Assembly Per Side, Order with 1600-131065



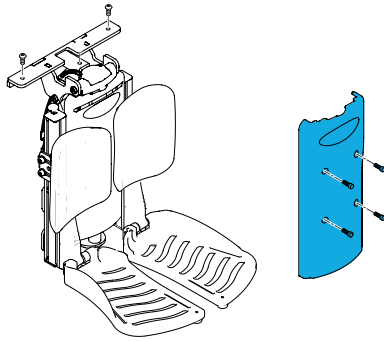
1600-131064

Quickie Power, Sedeo Pro M6 Channel Nut



1600-136475

Quickie Power, Sedeo Pro Power Center Mount Shroud/Cover and Hardware



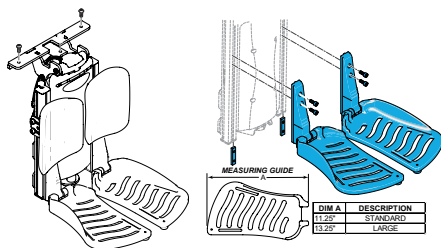
1600-136473

Quickie Power, Sedeo Pro Power Center Mount Small Parts Kit

POWER CENTERMOUNT SMALL PARTS KIT							
ITEM #	ILLUSTRATION	DESCRIPTION	QTY	ITEM #	ILLUSTRATION	DESCRIPTION	QTY
Not Shown		TUBE FOOTREST EXTRUDE CAP	2 Right 2 Left	10		SHCS M6 X 1 X 16 FULL, PL, SP	4
Not Shown		FHCS M5 X 0.8 X 10 PL ROHS	4	3		BEARING IGUS GFM-1012-05	4
Not Shown		BHCS M5 X 0.8 X 8 FULL, PL, SP	4	Not Shown		BOSS ACTUATOR	4
8		M6 CHANNEL NUT FTPLT	4	Not Shown		FHCS M5X0.8X25, FULL, PL, SP	4
Not Shown		SHCS M5X0.8X20 FULL, PL	2	Not Shown		ACT-MBX1.25-X12 PL	1
Not Shown		SHCS M5X0.8X16 FULL, NP, SP	2	Not Shown		SHCS M5X0.8X16 FULL, NP, SP	2

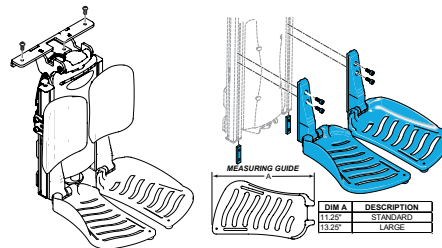
1600-163193

Quickie Power, Sedeo Pro Power Center Mount, Standard Footplate Kit Only



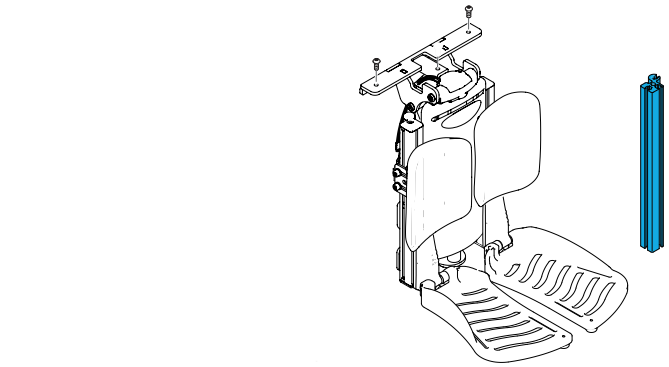
1600-163194

Quickie Power, Sedeo Pro Power Center Mount, Large Footplate Kit Only



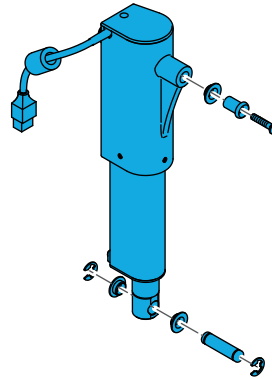
1600-130320

Quickie Power, Sedeo Pro Centre Mount Legrest Tube/Rail fits
Left or Right



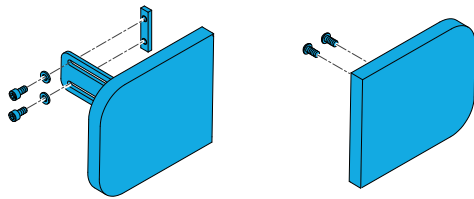
1600-249756

Quickie Power, Sedeo Pro Power Centre Mount Legrest elevation
Actuator Kit



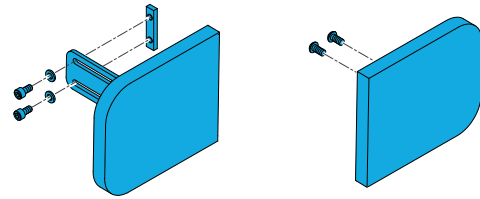
1600-163447

Quickie Power, Sedeo Pro Power Centre Mount Calf Pad (6'x7')
Assembly Right side



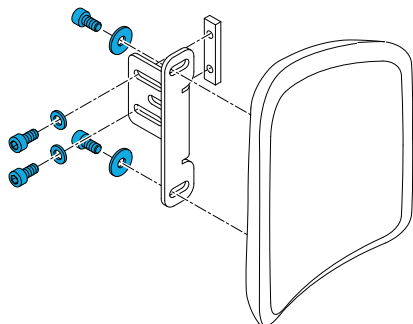
1600-163446

Quickie Power, Sedeo Pro Power Centre Mount Calf Pad (6'x7')
Assembly Left side



1600-164995

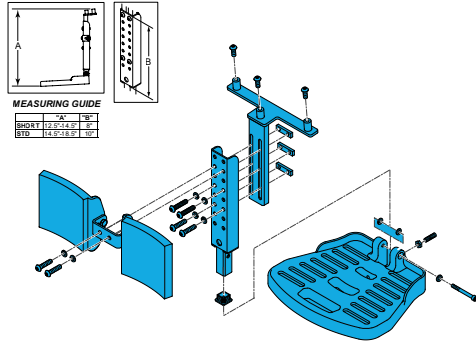
Quickie Power, Sedeo Pro Power Centre Mount
Calf Pad Mounting Kit Per Side



Fixed Centre Mount Assembly

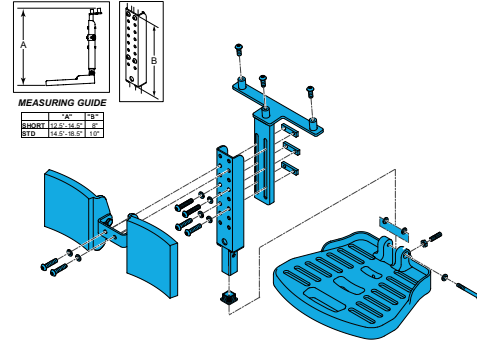
1600-163573

Quickie Power, Sedeo Pro/Lite Fixed Centre Mount Short



1600-163574

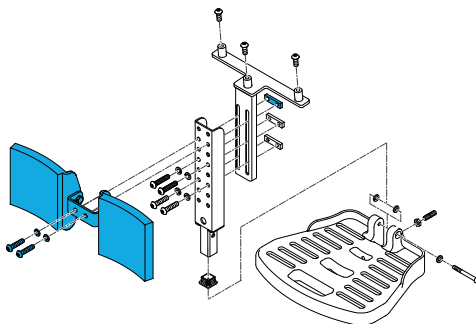
Quickie Power, Sedeo Pro/Lite Fixed Centre Mount Long



Fixed Centre Mount Parts

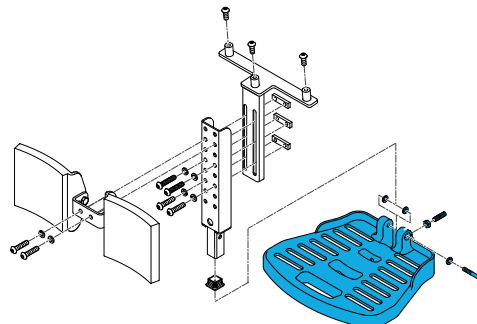
1600-103118

Quickie Power, Sedeo Pro/Lite Fixed Centre Mount, Calf Pad and Hardware



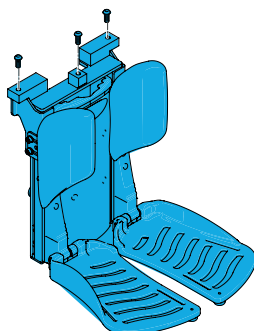
1600-101685

Quickie Power, Sedeo Pro/Lite Fixed Centre Mount Footplate Assembly



Sedeo Pro Fixed Centre Mount

Quickie Power, Sedeo Pro Fixed Center Mount Assembly _____
Dual Footplates With _____ Calf Pads



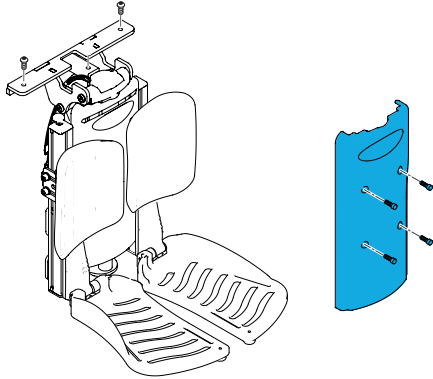
MEASURING GUIDE	
DIM A	DESCRIPTION
11.25"	STANDARD
13.25"	LARGE

Footplates	Calf Pads	Product Codes
Standard	Standard	1600-163453
Large	Standard	1600-163454
Large	Large	1600-163455

Sedeo Pro Fixed Centre Mount Parts

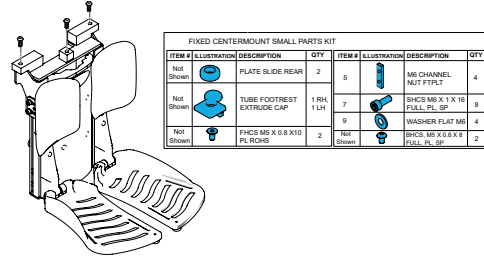
1600-136475

Quickie Power, Sedeo Pro Fixed Center Mount Dual Footplate
Shroud/CoverKit With Fasteners



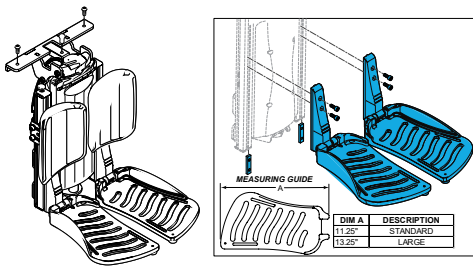
1600-136489

Quickie Power, Sedeo Pro Fixed Center Mount Dual Footplate Small Parts Kit



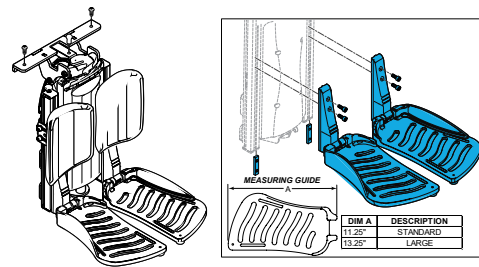
1600-163193

Quickie Power, Sedeo Pro Fixed Center Mount Dual Footplate, Replacement Standard Footplate Kit, Pair



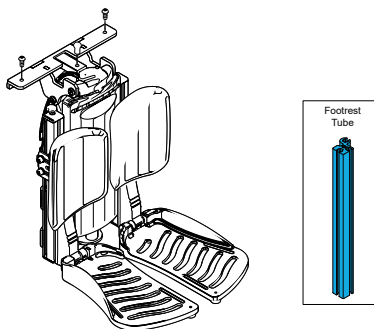
1600-163194

Quickie Power, Sedeo Pro Fixed Center Mount Dual Footplate, Replacement Large Footplate Kit, Pair



1600-130320

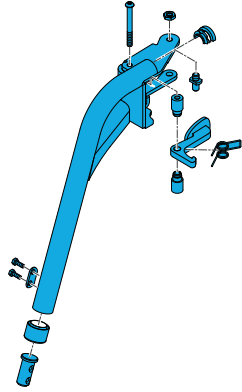
Quickie Power, Sedeo Pro Centre Mount Legrest Tube/Rail fits Left or Right



Asap Style Swingaway Legrests

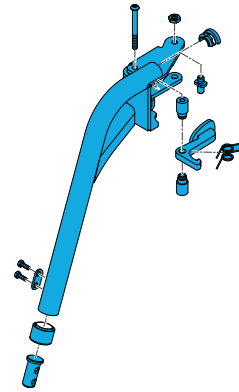
1600-115168

Quickie Power, 70 Degree Swing-Away hanger LHS



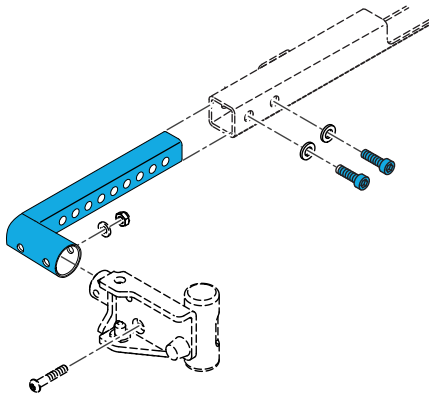
1600-115167

Quickie Power, 70 Degree Swing-Away hanger RHS



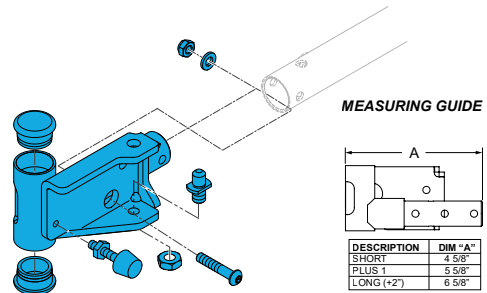
1600-122712

Quickie Power, Asap Style Hanger Receiver Mount Per each; To be ordered with 104781 or 104782



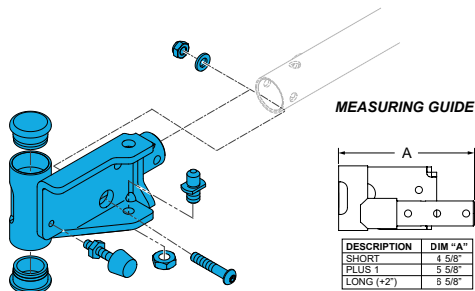
1600-104781

Quickie Power, Swing-Away Hanger Receiver Short Assembly LHS

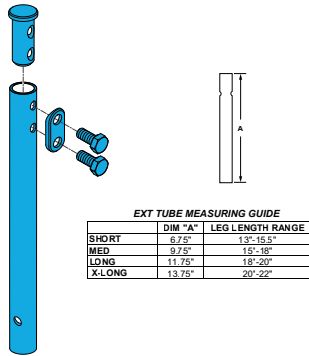


1600-104780

Quickie Power, Swing-Away Hanger Receiver Short Assembly RHS

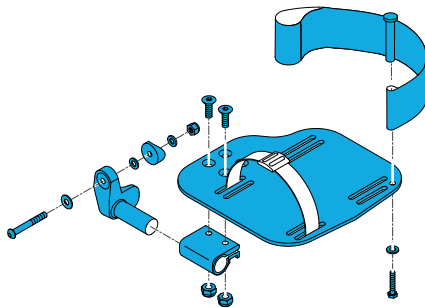


Quickie Power, Asap Style Hanger _____ Round Extension Tube and Hardware Only



Size	Product Codes
Short	1600-100191
Medium	1600-100208
Long	1600-100211
X-Long	1600-100213

Adult Angle Adjustable Footplate Kit _____", _____ side



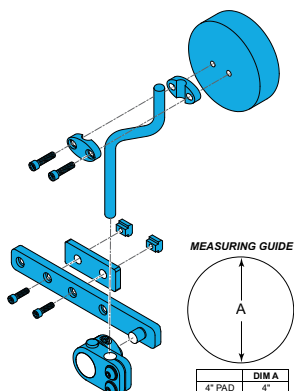
Width	Side	Product Codes
14"-15"	Left	1568-5154-14L
14"-15"	Right	1568-5154-14R
16"-17"	Left	1568-5156-17L
16"-17"	Right	1568-5156-17R
18"-20"	Left	1568-5158-18L
18"-20"	Right	1568-5158-18R

Accessories

Knee Pads

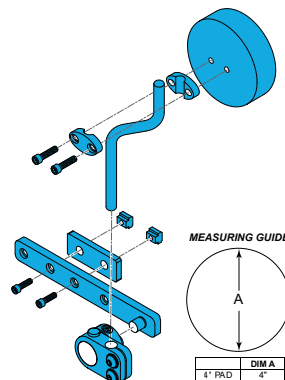
1600-125582

Quickie Power, Sedeo Pro Rail Mounted Knee Support Assembly Right Side, With 4" Pad



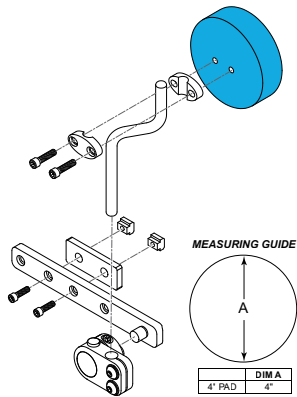
1600-125583

Quickie Power, Sedeo Pro Rail Mounted Knee Support Assembly Left Side, With 4" Pad



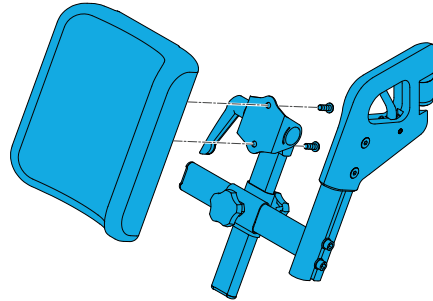
1600-KAD11XX

Quickie Power, Sedeo Pro Rail Mounted Knee Support 4" Pad only



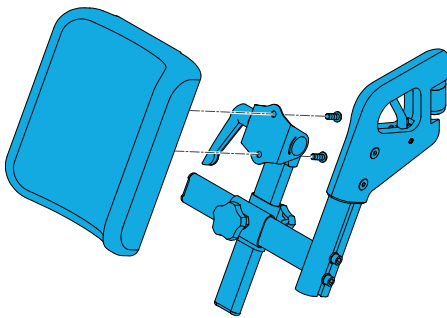
1600-22505200-002

Quickie Power, Sedeo Pro Swingaway Amputation Support Right Side



1600-22505200-001

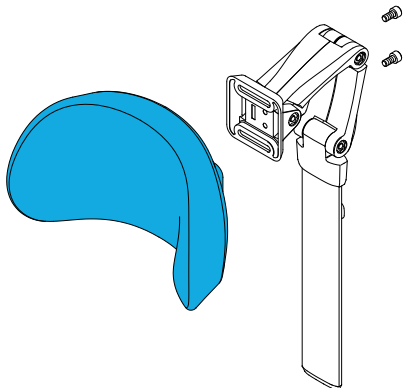
Quickie Power, Sedeo Pro Swingaway Amputation Support Left Side



Headrests

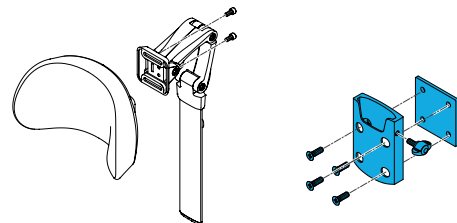
1480-1010957

Quickie Power, Sedeo Standard Headrest



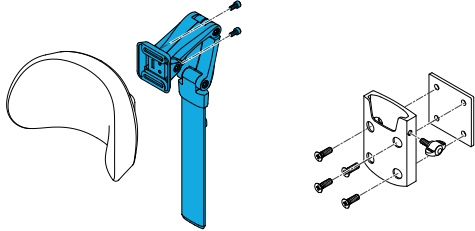
1480-248225

Quickie Power, Pro Back Headrest Moun



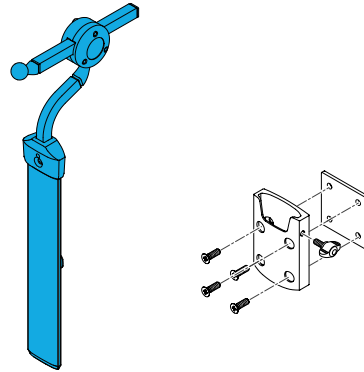
1480-21809210

Quickie Power, Sedeo Headrest Mount



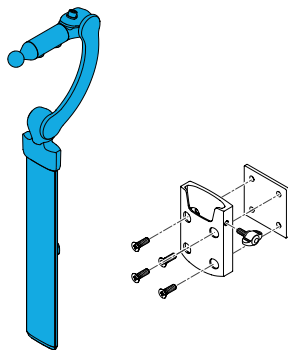
1480-245912

Quickie Power, Sedeo-Axys Headrest Assembly



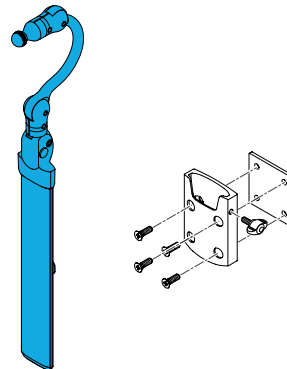
1480-245914

Quickie Power, Sedeo Linx Headrest Assembly



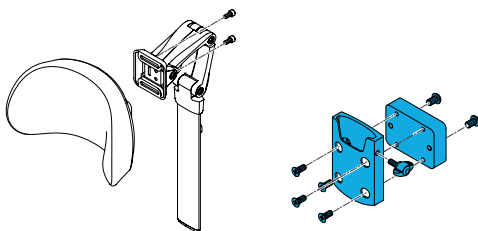
1480-245915

Quickie Power, Sedeo-Cobra Flip Headrest Assembly



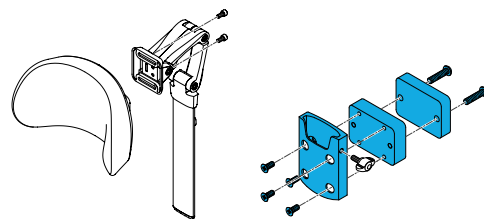
1480-248715

Quickie Power, Pro J3 Back Hedrest Thick Mount;
16" - 18" width



1480-248716

Quickie Power, Wide Pro J3 Back Headrest Thick Mount;
20" - 22" width

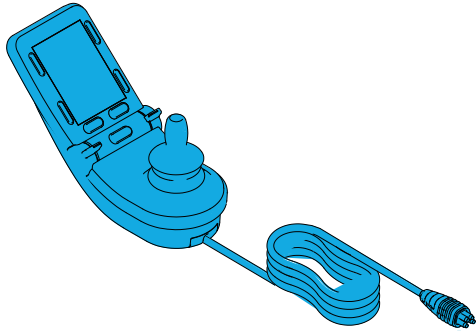


Joystick

CJSM2

1615-D51595

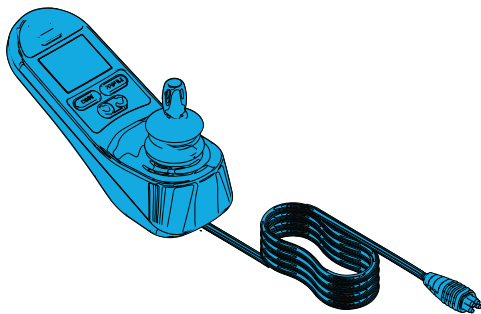
RNET, CJSM2 Joystick, Complete with Mk1 Button Keypad



CJSM1

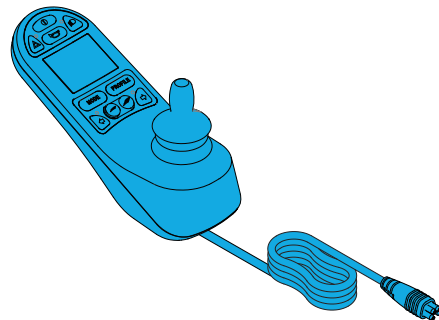
1615-D51607

RNET, CJSM Joystick, Complete With Jack Ports (compatible with Actuator Switches)



1615-D51153

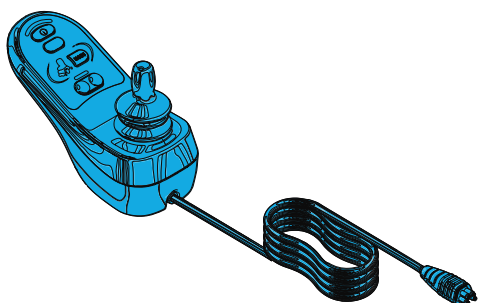
RNET, CJSM Joystick, Complete With Lights and Jack Ports (compatible with Actuator Switches)



LED

1615-D51122

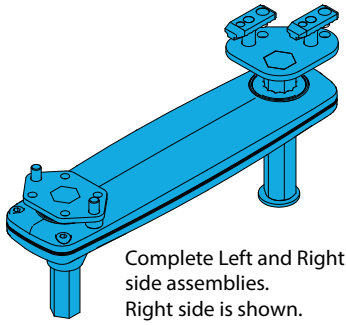
RNET, JSM Joystick, LED basic joystick complete with Jack Ports



Mounting Parts

1600-163451

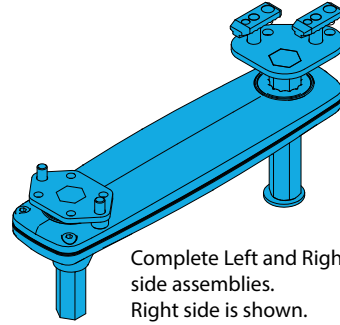
Quickie Power, Sedeo Pro HC Retractable Joystick Mount
Assembly Right Side



Complete Left and Right
side assemblies.
Right side is shown.

1600-163452

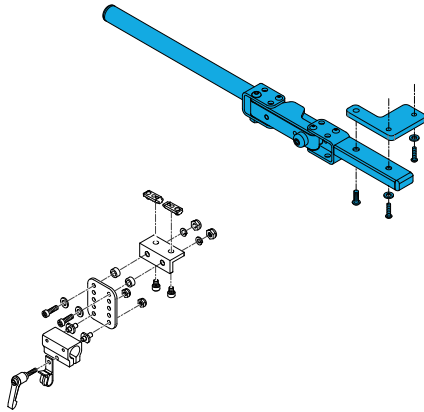
Quickie Power, Sedeo Pro HC Retractable Joystick Mount
Assembly Left Side



Complete Left and Right
side assemblies.
Right side is shown.

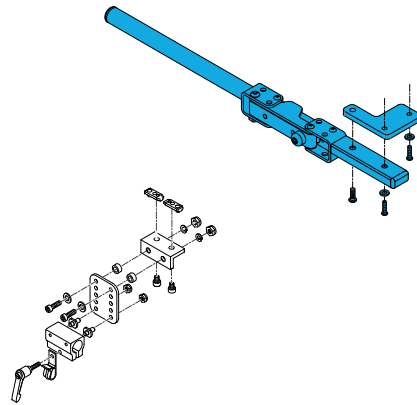
1600-120593

Quickie Power, Sedeo Pro & Lite Round Tube Swingaway Joystick
Mount Assembly Right Side



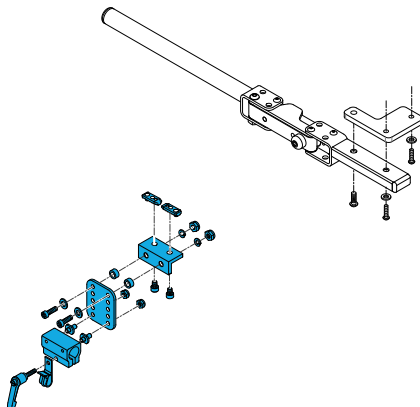
1600-120594

Quickie Power, Sedeo Pro & Lite Round Tube Swingaway Joystick
Mount Assembly Left Side



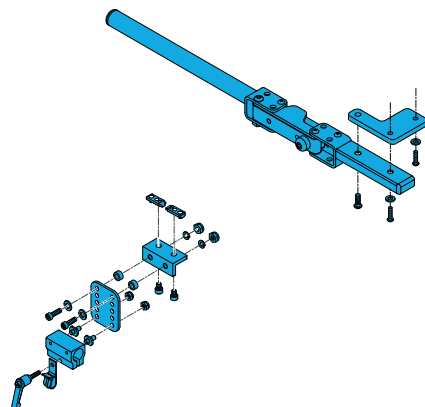
1600-164202

Quickie Power, Sedeo Pro Round Joystick Mount Assembly



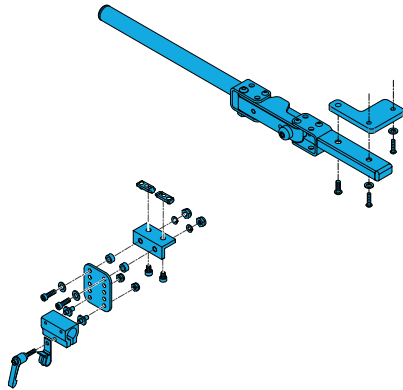
1600-164204

Quickie Power, Round Joystick Pro Mount Swingaway As-
sembly RHS



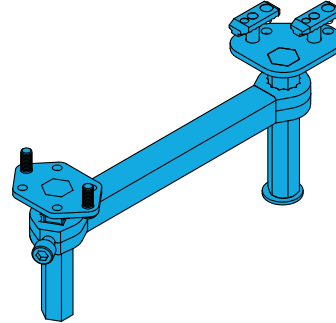
1600-164203

Quickie Power, Round Joystick Pro Mount Swingaway
Assembly LHS



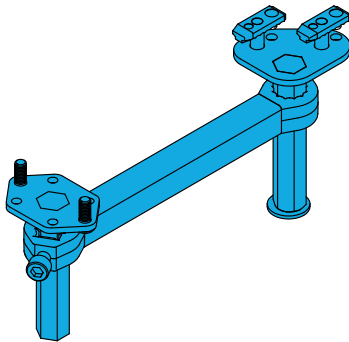
1600-163449

Quickie Power, Sedeo Pro & Lite HC Fixed Joystick
Mount Right Side



1600-163450

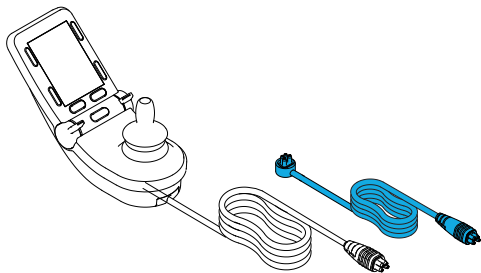
Quickie Power, Sedeo Pro & Lite HC Fixed Joystick
Mount Left Side



Parts

1615-SA81500L12

RNET CJS2, Joystick Spare Part, 90 Deg Input RNET Cable
120 cm



1615-P75755

RNET Accessory, Joystick Knob, Standard



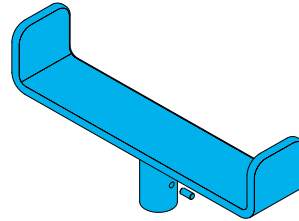
1615-P75755

RNET Accessory, Joystick Knob, Standard



1615-SA72410

RNET Accessory, Joystick Knob, T Bar



1615-SA72434

RNET Accessory, Joystick Knob, Old Style Sponge ball



1615-SA72435

RNET Accessory, Joystick Knob, Stick Knob S81



1615-SA72439

RNET Accessory, Joystick Knob, Mushroom M49



1615-SA72441

RNET Accessory, Joystick Knob, Solid Ball B39



1600-101

Bodypoint Joystick Handle 3" Wide U Shape



1600-102

Bodypoint Joystick Handle 4" Wide U Shape



1600-110

Bodypoint Joystick Handle Grooved Mushroom



1600-107

Bodypoint Joystick Handle Rubber Dome



1601-0101-291

Medifab Joystick comfort cover - Suits BP U Bracket 3"



1601-0101-292

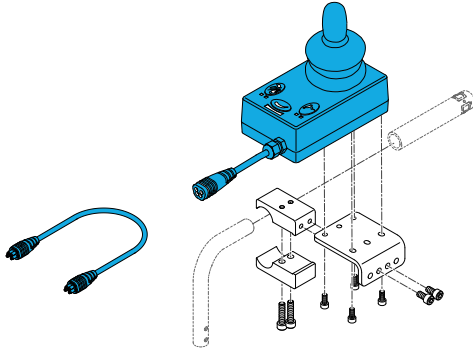
Medifab Joystick comfort cover - Suits BP U Bracket 4"



Attendant Joystick

1615-D50882

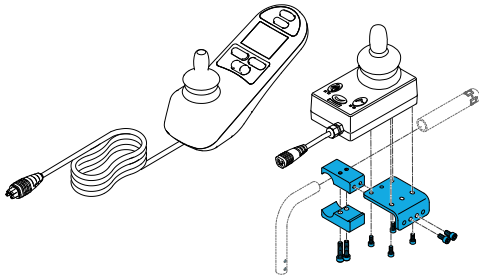
RNET, Attendant Joystick, With Female Bus Connector



Attendant Mounting Systems

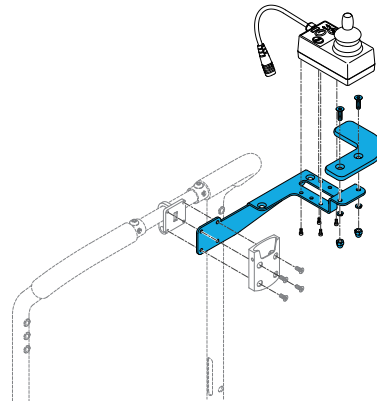
1600-131268

Quickie Power, Sedeo Pro Trailing Push Handle Attendant Control
7/8" Mount



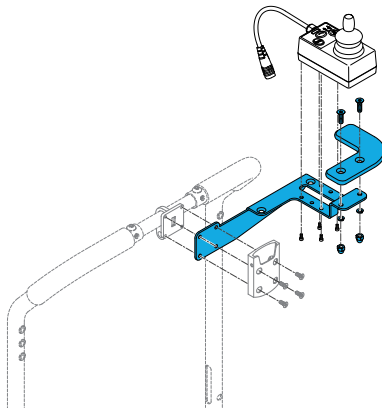
1600-22809050-001

Quickie Power, Sedeo Lite Attendant Control Mount Assembly Left Side



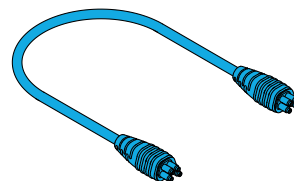
1600-22809050-002

Quickie Power, Sedeo Lite Attendant Control Mount Assembly
Right Side



1600-108316-050

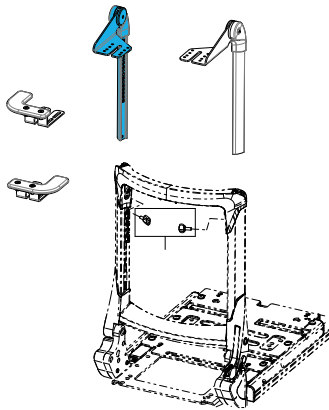
Quickie Power, R-Net Bus Cable/Harness 500mm



Dist Block to ISM or
Dist Block to Bluetooth mounted on Seat

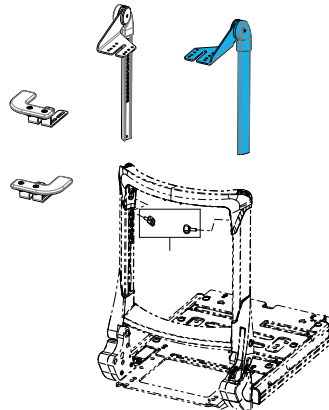
1600-9315-LHS

Quickie Power Attendant Control Assembly LHS



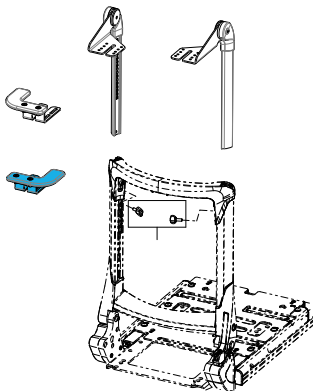
1600-9315-RHS

Quickie Power Attendant Control Assembly RHS



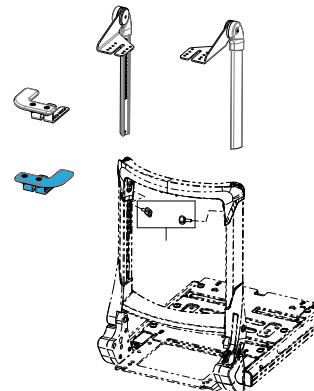
1600-93-22503415-002

Quickie Power, Palm Rest for Sedeo Pro Attendant Control Mount LHS



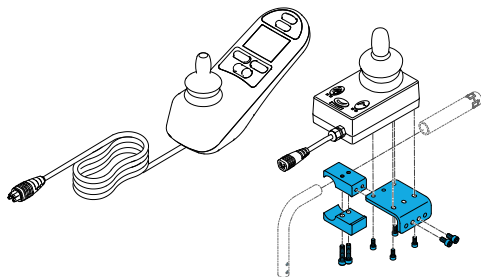
1600-93-22503415-001

Quickie Power, Palm Rest for Sedeo Pro Attendant Control Mount RHS



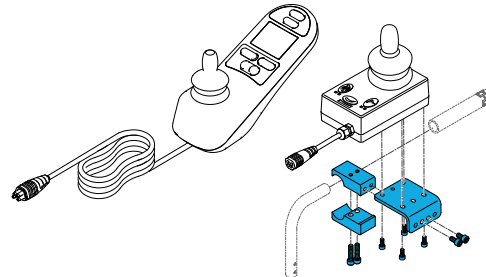
1600-129815

Quickie Power, Universal Attendant Control 1" Mount



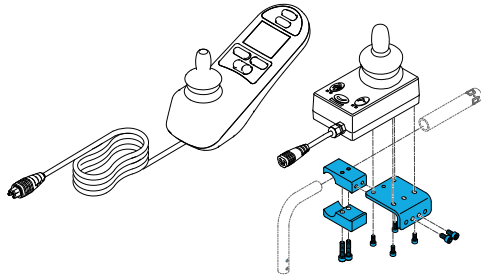
1600-131268

Quickie Power, Universal Attendant Control 7/8" Mount



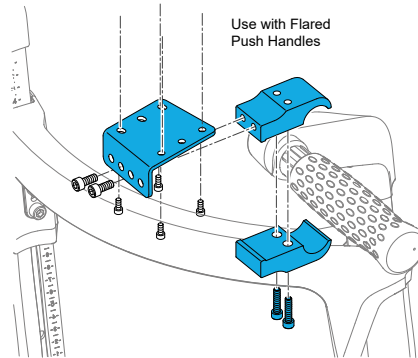
1600-131269

Quickie Power, Universal Attendant Control 3/4" Mount



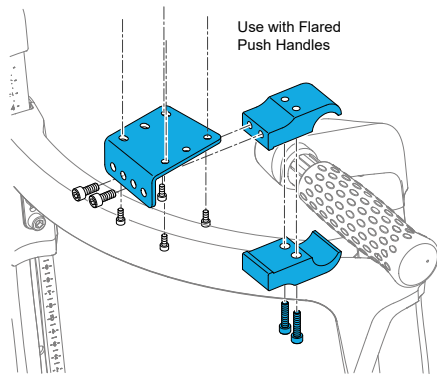
1600-163408

Pro Attendant Control Mount Right Hand Side



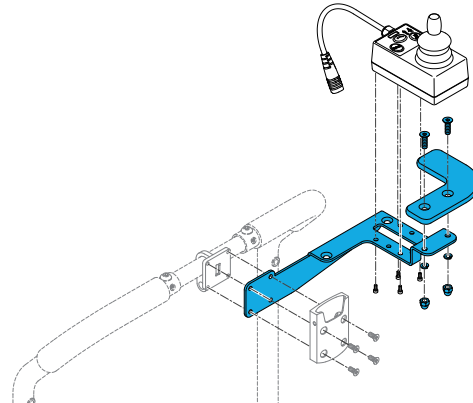
1600-163409

Quickie Power, Sedeo Pro Attendant Control Mount Left Hand Side



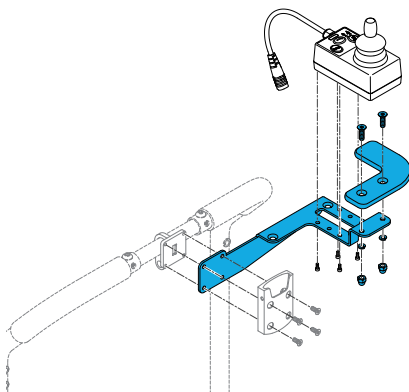
1600-22809050-001

Quickie Power, Sedeo Lite Attendant Control Mount Assembly Left Side



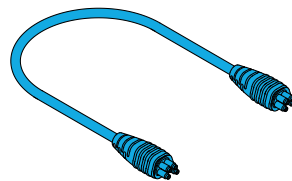
1600-22809050-002

Quickie Power, Sedeo Lite Attendant Control Mount Assembly Right Side



1600-108316-050

Quickie Power, R-Net Bus Cable/Harness 500mm



Dist Block to ISM or
Dist Block to Bluetooth mounted on Seat

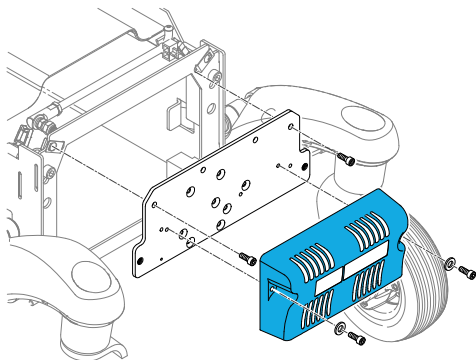


Joystick Repairs Now Available.

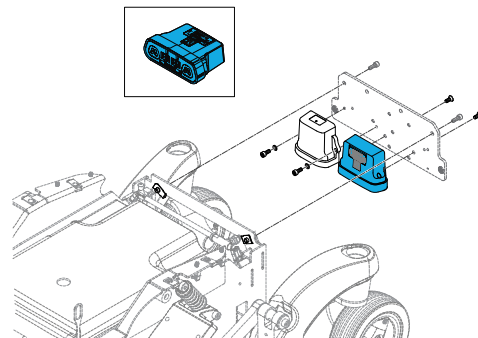
If you are needing any parts, Medifab are now credited to process Refurbs on any RNET technology. Please contact parts@medifab.com with any questions.

Accessory Electronics

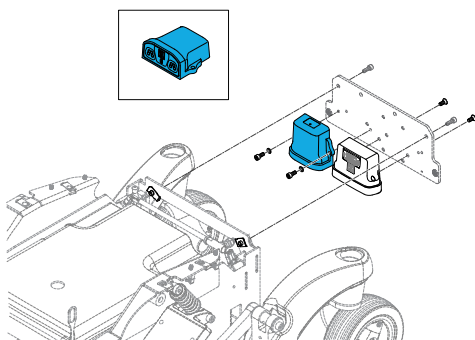
1615-D50903
RNET, Power Module 120 Amp



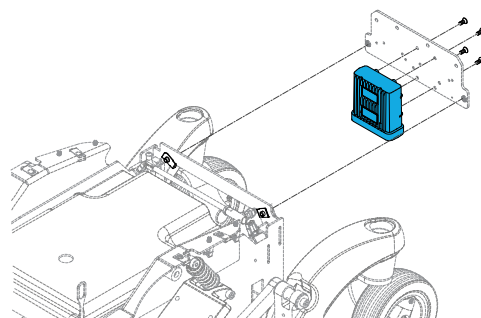
1600-241648
Quickie Power, RNET Light Module Only



1600-015575
Quickie Power, Motor Encoder Module

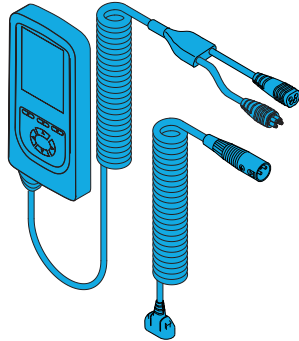


1615-D50602
RNET, ISM (Intelligent Seating Module) 6 Channel with Lights.



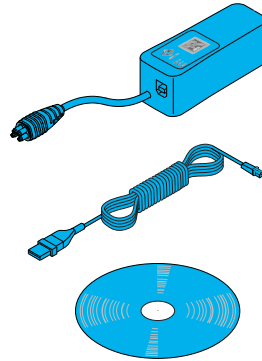
1600-93-D50996

Quickie Power RNET/VR2 HandHeld Programmer



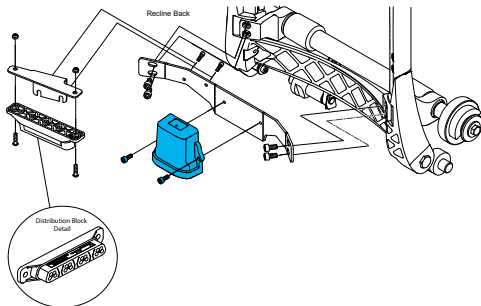
1615-D50609

RNET, Programmer Dongle, Dealer Version



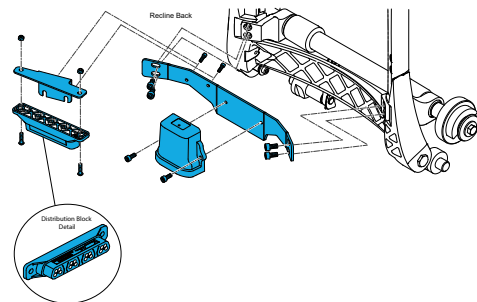
1615-D51508

RNET, ASM (Advanced Stability Module)



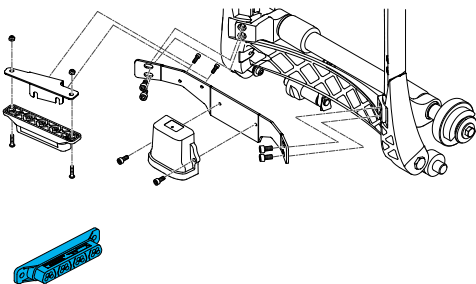
1600-164131

Quickie Power, Accelerometer Stability Module/Gyro Module and Distribution block assembly



1600-108312

Quickie Power, RNET Distribution Block

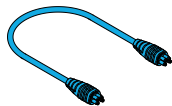


RNET Cables

Bus Cables/Harness

1615-SA77525L03

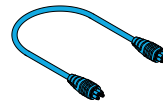
RNET, Bus Harness Cable (M-M), 0,5m long



1C Controller Joystick Port to Bluetooth, or Dist Block or Bluetooth to Output Module without Power Recline, or Controller Joystick Port to ISM in Base

1615-SA77525L05

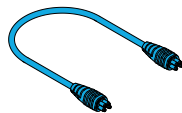
RNET, Bus Harness Cable (M-M), 0,5m long



1A Dist Block to ISM or Dist Block to Bluetooth mounted on Seat

1615-SA77525L10

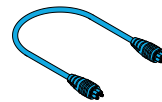
RNET, Bus Harness Cable (M-M), 1m long



1D Distribution Block to Attendant Control, or Rnet Ext to Dist Block with Tilt/Lift combo

1615-SA77525L12

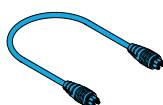
RNET, Bus Harness Cable (M-M), 1,2m long



1B Non-expandable Rnet Bus Ext to ISM with Legrests only, or Rnet Bus Ext to Dist Block without Tilt/Lift combo, or Dist Block to Omni or Output Module with Power Recline

1615-SA77525L15

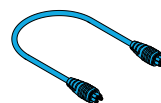
RNET, Bus Harness Cable (M-M), 1,5m long



1B Non-expandable Rnet Bus Ext to ISM with Legrests only, or Rnet Bus Ext to Dist Block without Tilt/Lift combo, or Dist Block to Omni or Output Module with Power Recline

1615-SA77525L20

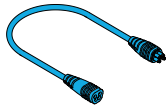
RNET, Bus Harness Cable (M-M), 2m long



1B Non-expandable Rnet Bus Ext to ISM with Legrests only, or Rnet Bus Ext to Dist Block without Tilt/Lift combo, or Dist Block to Omni or Output Module with Power Recline

1615-SA78640L05

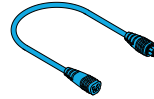
RNET, Bus Harness Extension Cable (M-F), 0.5m long



2B Controller Joystick Port or ISM in Base or Bluetooth in Base to Rnet Ext without Tilt or with Tilt/Lift combo

1615-SA78640L10

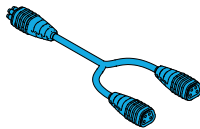
RNET, Bus Harness Extension Cable (M-F), 1m long



2A Controller Joystick Port or ISM in Base or Bluetooth in Base to Rnet Ext without Tilt or with Tilt/Lift combo

1615-SA81331

Harness R-Net Bus Splitter

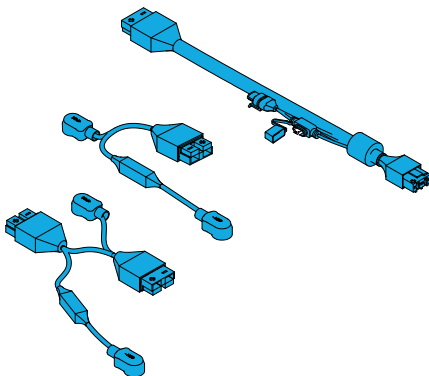


3 Used with CTRL+5 with Joystick, Omni, and Attendant

Battery Harness

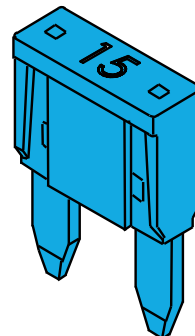
1600-164136

Quickie Power, Battery Harness 100A Kit



1600-249005

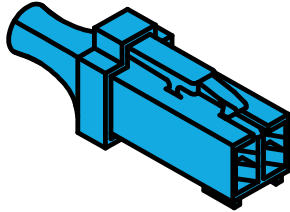
Quickie Power, 15A Mini Fuse



Wiring

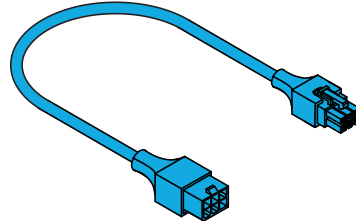
1600-248506

Quickie Power, Harness Inhibit Shortening Plug I3



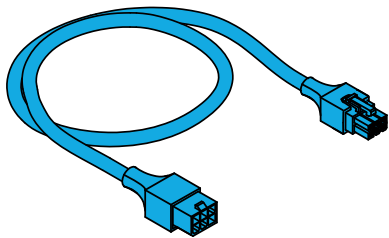
1600-21211005-100

Quickie Power, Sedeo Pro Actuator 150cm Extension Cables



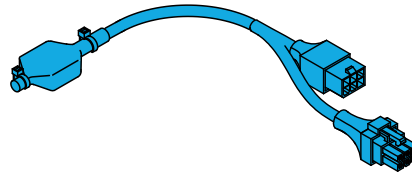
1600-21211005-150

Quickie Power, Sedeo Pro Actuator 150cm Extension Cables



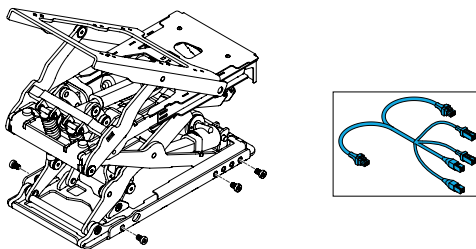
1600-248490

Quickie Power, Sedeo Pro Tilt/Lift Combo Lift Actuator E Break PM7 Assembly



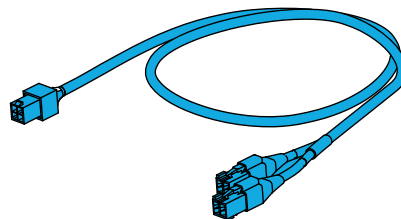
1600-248517

Quickie Power, Sedeo Pro Tilt/Lift Combo Harness Cables



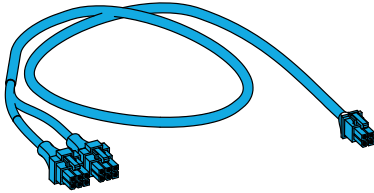
1600-248515

Quickie Power, Sedeo Pro Power Center Mount Actuator Harness/Cables Control Side



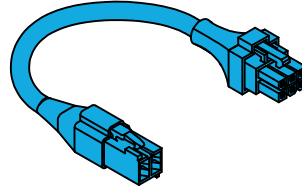
1600-248516

Quickie Power, Sedeo Pro Power Center Mount Actuator
Harness/Cables Actuator Side



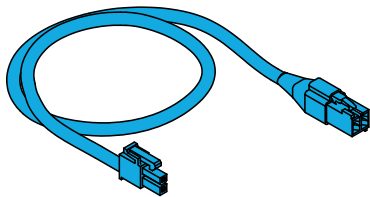
1600-248743

Quickie Power, Sedeo Pro Power Center Mount, Single
Actuator Channel 3 Actuator Cable 500mm



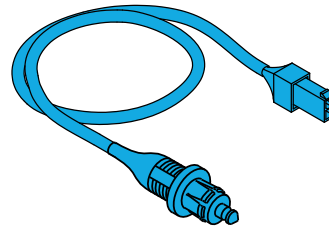
1600-22511004

Quickie Power, Wiring for Power Swing-Away Legrest -
IMS to Actuator Harness



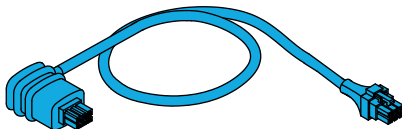
1600-22511005

Quickie Power, Sedeo Pro Power Swingaway Hangers
Actuator Harness/Cables Legrests to ISM



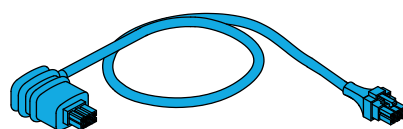
1600-249002

Quickie Power, Recline Actuator Cable (Check Specifics)



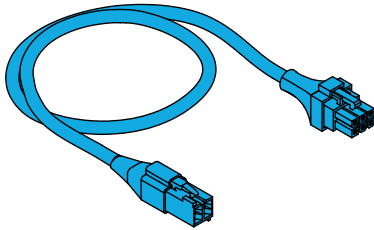
1600-22511003

Quickie Power, Recline Actuator Cable (Check Specifics)



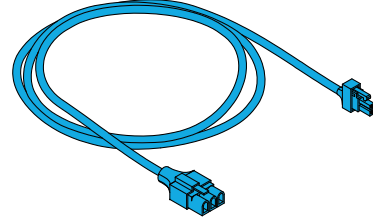
1600-249247

Quickie Power, Sedeo Pro Power Recline Actuator connector cable for chair with Lift



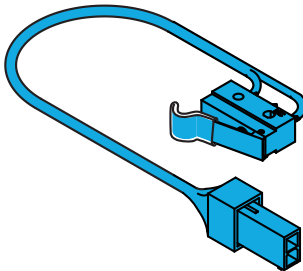
1600-249997

Quickie Power, Sedeo Pro Power Recline Home Cable, No Switch



1600-250084

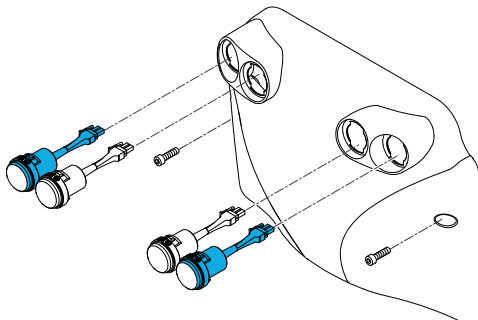
Quickie Power, Sedeo Pro Power Recline Home Switch, No Cable



Lighting

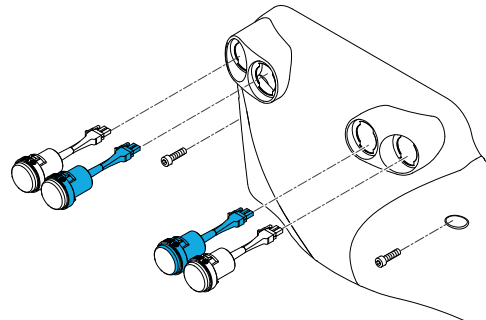
1600-20009025-002

Quickie Power Lighting, LED Amber Indicator Signal Light Per Each



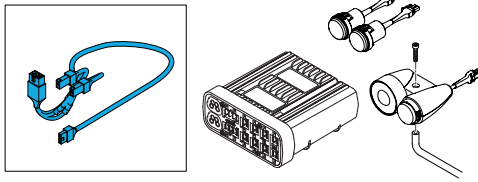
1600-20009025-001

Quickie Power Lighting, LED Red Tail Light Per Each



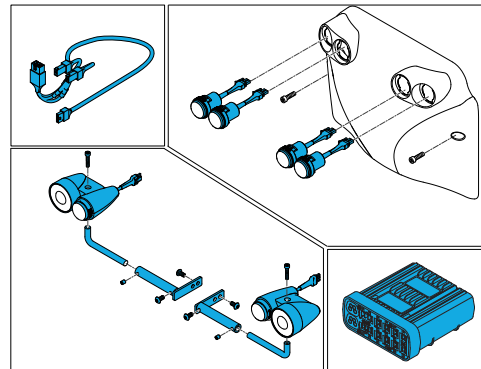
1600-244585

Quickie Power ISML Harness; Light Module Harness/Cables;
Order x 2 for complete set



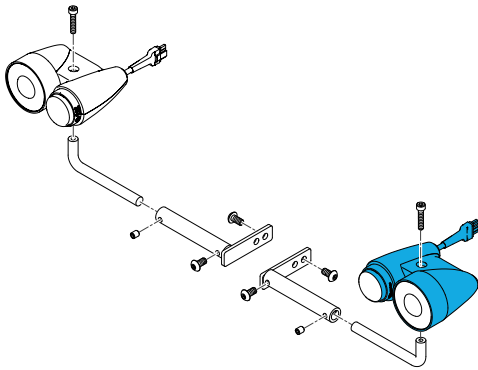
1600-163566

Quickie Power Lighting with ISML- Retrokit



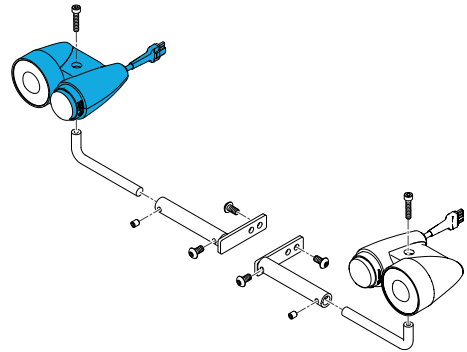
1600-243298

Quickie Power Front Left Light Assembly



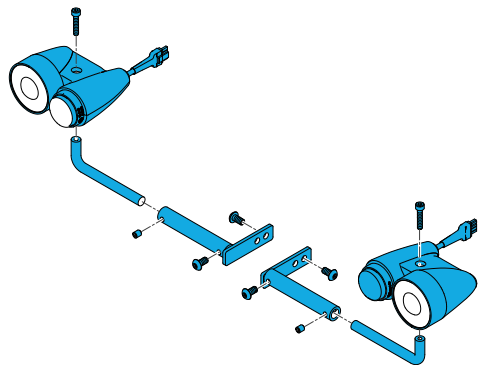
1600-243301

Quickie Power Front Right Light Assembly



1600-160912

Quickie Power, Lighting Front assembly



medifab

Distributed in NZ by Medifab Ltd

22 Detroit Drive,
Rolleston, 7675
New Zealand

0800 543 343

solutions@medifab.com

www.medifab.com



DISTRIBUTED BY:

Quickie Q700 Spare Parts Guide 20220727AU