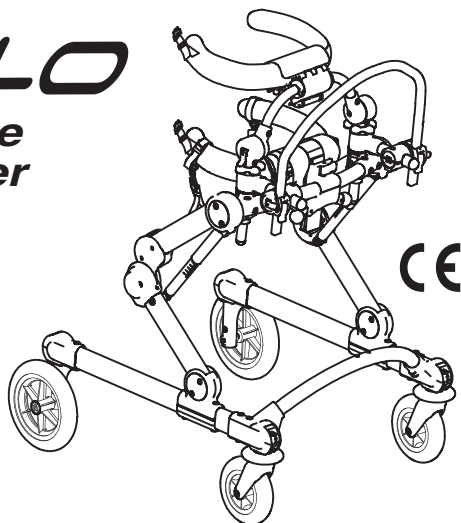


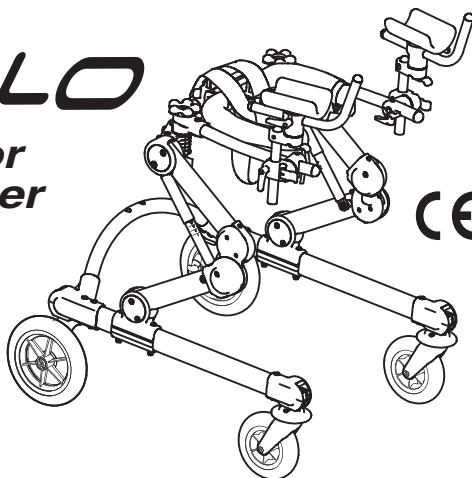
GRILLO

*front-drive
gait trainer*



GRILLO

*posterior
gait trainer*



INGLESE - Cod. 22850 - 20-05-13

USE AND MAINTENANCE HANDBOOK

ORMESA®

ORMESA thanks you for the confidence placed in choosing our **GRILLO gait trainer**.

GRILLO is a walking frame where the attention to its functionality is combined with the respect of ergonomic and safety principles.

ORMESA then suggests you to read this handbook very carefully. It will help you in becoming familiar with GRILLO soon and more efficaciously, and you will also find many practical pieces of advice to use it safely and in the best possible way and to keep it perfectly efficient.

In the end, should you still have something to ask for or to clear, don't hesitate to contact your Dealer, who will be glad to give you all the necessary assistance, or directly call ORMESA. Our phone number is +39 0742 22927, our fax number is +39 0742 22637 and our E-mail is: [info @ormesa.com](mailto:info@ormesa.com).

Luigi Menichini

CEO



TABLE OF CONTENTS

WARNINGS..... 4

SOME EXAMPLES OF WHAT NOT TO DO WITH THE PRODUCT..... 6

LABELS AND PLATES 6

GUARANTEE 7

HOW TO STORE AND TRANSPORT THE MEDICAL DEVICE..... 7

WHAT GRILLO IS AND WHAT IT IS FOR..... 8

HOW GRILLO WORKS 8

HOW GRILLO IS COMPOSED..... 10

TECHNICAL SPECIFICATIONS - GRILLO GAIT TRAINER..... 11

WARNINGS ON POSTERIOR GRILLO 14

HOW TO USE GRILLO, FRONT DRIVE and POSTERIOR GAIT TRAINER 15

 FRAME: HEIGHT ADJUSTMENT 15

 BRAKES 16

 ADJUSTABLE BRAKE 17

 ANTI-REVERSE DEVICE..... 18

 PELVIC SUPPORT: HEIGHT ADJUSTMENT..... 19

 PELVIC AND THORACIC SUPPORTS: CIRCUMFERENCE ADJUSTMENT 20

 DIRECTIONAL LOCKS 21

 CHANGE GRILLO from POSTERIOR to FRONT-DRIVE GAIT TRAINER and VICE VERSA 22

ADJUSTMENTS FOR GRILLO FRONT-DRIVE GAIT TRAINER..... 25

 THORACIC SUPPORT: HEIGHT ADJUSTMENT..... 25

 THORACIC SUPPORT: FORWARD-BACKWARD and TILT ADJUSTMENTS..... 26

 PELVIC HARNESS: ASSEMBLY AND ADJUSTMENT 27



HANDLEBAR: HEIGHT, TILT, FORWARD-BACKWARD ADJUSTMENTS	29
ADJUSTMENTS for GRILLO POSTERIOR GAIT TRAINER.....	31
HANDLES: ADJUSTMENTS in WIDTH	31
REMOVABLE GRIP HANDLES	32
PELVIC HARNESS: ASSEMBLY AND ADJUSTMENT	33
ASSEMBLING AND ADJUSTING THE COMPONENTS.....	34
ARM SUPPORTS.....	34
LEG DIVIDER WITH THIGH SUPPORTS.....	38
FOLDING SEAT for GRILLO POSTERIOR GAIT TRAINER	41
LUMBAR SUPPORT for GRILLO POSTERIOR GAIT TRAINER	42
PUSH HANDLE FOR THE ASSISTANT	44
WEIGHT BARS	46
MAINTENANCE, CLEANING AND DISINFECTION OF GRILLO.....	47
ASSISTANCE AND SPARE PARTS OF GRILLO	48
CONDITIONS FOR DURABILITY, REUSE AND REASSIGNMENT TO A NEW USER.....	49



WARNINGS

- **Before using the aid carefully read the instructions in this handbook** because it was written for your safety and to guide you in the necessary learning process of the right use and Maintenance of this product. It is integrant part of the product and it must be kept with care for future references.
- **This handbook is for Dealers, Retailers Assistants and Users;** it gives instructions about the correct use of the product and it has to be integrated by an adequate knowledge of the aid by the prescribing specialist.
- The handbook reflects the state of technique at the moment of taking the aid into the market. **ORMESA srl reserves the right to carry out any modification to the aid and to its handbook which can be suggested by the experience, by technical considerations or by the change of standards.** These modifications will be made without being obliged to update the previous production and its handbooks.
- **The use of the gait trainer and its additional parts must be checked by qualified personnel , according to the laws, rules and regulations in force.**
- **GRILLO can be only used by people who have well read the instructions specified in this handbook.**
- **Training for the use of GRILLO must be carried out in rehabilitation centres with the help of qualified personnel.**
- **The walking frame has to be used by people whose body size and weight are just like the ones specified in the paragraph "TECHNICAL SPECIFICATIONS".**
- **Before each use check that all adjustable parts are well locked.**
- **Always lock brakes when you stop,** even on flat ground.
- **Always lock brakes before adjusting any part.**
- **Before use always check the brake efficiency, the tyre wear and make sure that the accessories and all those parts which can be loosened are firmly locked.**
- Always make sure that **there are no obstacles which could cause GRILLO to tip up,** such as mats, steps and different objects on the floor.
- **Beware of dangerous points and obstacles** in the area of use.
- **Remove any knick-knacks or objects which could be knocked down** while using GRILLO.
- **Avoid areas near unprotected artificial or natural water basin and water courses.**
- **Clean the device and the upholsteries according to the instructions** in the chapter. "Maintenance", on pages 47-48.
- **Always ask for original spare parts:** if not the guarantee is not valid.

GRILLO IS A MECHANICAL MEDICAL DEVICE:



Perform **REGULAR MAINTENANCE** and **CLEANING** following the instructions shown in the "Maintenance" chapter on page 47-48 and **HAVE THE DEVICE INSPECTED** AT THE INTERVALS INDICATED to **VERIFY** that it is **WORKING PROPERLY** and in **GOOD CONDITION**, **otherwise warranty will fail and CE marking will lapse**



PRODUCT REPAIRS other than the regular **maintenance** shown on page 47-48 of the manual must be **ONLY MADE** by a **SPECIALIZED SERVICE CENTER** in the maintenance of mechanical aids for disables, **otherwise warranty and CE marking will be voided**



Any **CHANGES** in the product **ARE NOT AUTHORIZED**. **REFER ONLY TO ORMESA, otherwise warranty and CE marking will be voided**



The **REPLACEMENT WITHOUT ORIGINAL PARTS OR COMPONENTS** **ARE NOT AUTHORIZED**. **REFER ONLY TO ORMESA, otherwise warranty and CE marking will be voided**



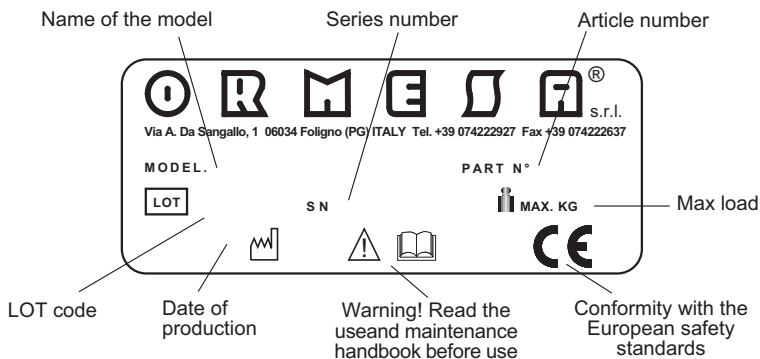
In case of **DOUBT** about the **SAFETY** of the product or **DAMAGE** to parts or components, you are urged **to IMMEDIATELY DISCONTINUE USE** and **CONTACT a SPECIALIZED SERVICE CENTER** in the maintenance of mechanical aids for disables, or directly ORMESA.



SOME EXAMPLES OF WHAT NOT TO DO WITH THE PRODUCT

- GRILLO MUSTN'T BE USED UNLESS A MEMBER OF THE USER'S FAMILY OR QUALIFIED PERSON IS PRESENT AT ALL TIME
- DO NOT CARRY OUT ANY OPERATION OR MANOEUVRE UNLESS YOU ARE SURE OF THE RESULT: IF IN DOUBT, CONTACT YOUR NEAREST TECHNICAL SERVICE OR CONTACT THE MANUFACTURER DIRECTLY
- GRILLO MUST BE USED BY PEOPLE WHOSE HEIGHT AND WEIGHT ARE SUFFICIENT TO CONTROL ITS MOVEMENTS
- NEVER INSERT COMPONENTS OR ACCESSORIES ON THE DEVICE WITHOUT FOLLOWING THE INSTRUCTIONS GIVEN IN THE HANDBOOK
- DO NOT ADJUST THE FRAME AND THE COMPONENTS IN EXTREME POSITIONS IN ORDER NOT TO PREJUDICE THE STABILITY AND SAFETY OF THE DEVICE
- NEVER USE GRILLO ON UNEVEN GROUND, STEEP SLOPES OR STAIRS
- NEVER ALLOW UNKNOWN PEOPLE TO USE GRILLO
- NEVER LEAVE THE USER UNATTENDED WHILE USING GRILLO
- NEVER LEAVE GRILLO ON A SLOPE
- NEVER LIFT THE AID TO MOVE IT WHILE THE USER IS ON IT
- AVOID EXCESSIVE SPEED OF MOVEMENT TO GUARANTEE STABILITY AND SAFETY OF THE DEVICE
- NEVER USE GRILLO IF THERE ARE DAMAGED OR MISSING PARTS

LABELS AND PLATES



THE MARKING  CERTIFIES THAT THE GRILLO GAIT TRAINER CONFORMS TO THE SAFETY REQUIREMENTS OF THE EUROPEAN UNION AND, IN PARTICULAR, DIRECTIVE 93/42/CEE DIRECTIVE ON "MEDICAL DEVICES" and SUBSEQUENT MODIFICATIONS AND SUPPLEMENTS



GUARANTEE

ORMESA warrants the product for 2 years; in case of problems, contact the retailer where you purchased it. Always ask for original parts and accessories.

ORMESA will not be liable for damage in the following cases:

- *use by an unsuitable person;*
- *incorrect assembly of parts or accessories;*
- *unauthorized modifications or service;*
- *use of other than original replacement parts and parts subject to wear (upholstery, wheels, etc);*
- *improper use (such as, transporting objects or loads larger or heavier than those shown in the instruction manual);*
- *damage caused by incorrect use and lack of regular maintenance, as shown in the instruction manual;*
- *exceptional events;*
- *failure to follow the instructions in this manual.*

THE GUARANTEE DOES NOT COVER WEAR PARTS, which are subject to wear and tear, such as the upholsteries and the wheels.




HOW TO STORE AND TRANSPORT THE MEDICAL DEVICE

THE DEVICE MUST BE STORED AND PACKED using the Ormesa original packaging materials. THE AID MUST BE ALWAYS ACCOMPANIED BY THE PRESENT HANDBOOK unless the guarantee will be voided.

- **Once unpacked, THE TRANSPORT OF THE DEVICE must be done by ANCHORING IT ADEQUATELY to the vehicle.**
- **When travelling by plane, or by car, DO NOT SUBJECT THE FOLDED FRAME TO LOADS THAT, especially with road bumps, COULD DAMAGE ITS STRUCTURE.**

THE DEVICE MUST BE PARKED / STORED IN CLOSED AND DRY PLACES

- **The operating environment has no particular influence on the device unless it is used incorrectly, such as by leaving it parked for a long time in direct sunlight or exposed to bad weather such as rain, or in marine environments, where the salt air could corrode the paint and the sliding parts. In this case, we recommend to clean and dry the frame carefully following the instructions shown in the “Maintenance and Cleaning” chapter on pages 47, 48 and the warnings  on page 48.**

WHAT GRILLO IS AND WHAT IT IS FOR

GRILLO is a walking aid, that's to say a product that was designed to help and make the independent moving of a User easier. It is for spastic/distonic users, for users who have little brawn or for users who start to walk.

It was designed and made for the user to:

- **walk without help** when independent walking is impossible;
- **train and start the walking process** so that it may be continued without the aid at a future stage. **It can be used to practice the actions of walking or simply as a permanent mean of moving around.**

We remind that **the process of walking is simply the movement of a body in an upright position from one point in space to another** and it is possible by:

- the step pattern (alternate bending and stretching of each leg);
- maintaining the balance of the trunk and pelvis, first on both feet and then on one only during the moving;
- awareness of space and distance.

GRILLO is used :

- a) **to generate and help the step pattern;**
- b) **to train in maintaining balance of the trunk and pelvis;**
- c) **to organize a wider structured vision of space, distance and the User's surroundings in the upright position;**
- d) **to enable the user to plan "projects" and "actions" , for example having the possibility to see an object, think of its use, work the movement out to reach the object and use it ;**
- e) **to develop physical self-sufficiency and psychological independence by experimenting the possibility of acting alone.**

HOW GRILLO WORKS

Grillo compensates the user's lack of balance thanks to its ergonomic support and wide base, it allows the user to concentrate his/her residual abilities on walking.

The wide range of components and supports offer maximum versatility.

All accessories are interchangeable quickly and without the use of tools to suit different clinical pictures.

Adequate training to use it must be given at a rehabilitation centre.

The following information will ensure the best way to use this aid.

Adjustment of the aid

Insert wheel stop

As soon as the User is into the aid, the supports must be closed and the straps must be fastened. The following heights must be adjusted :

- **the frame height**
- **the thoracic support height**
- **the pelvic support height**
- **the harness height**

These adjustments must be made before positioning the user according to the anatomical measures taken.

Once the User has been positioned, you can proceed with a micro adjustment until the optimal setting is reached.

There is no predetermined position!

Each position must be decided according to the User and it must be modified according to his physical development, to the change in his motory situation and rehabilitation programme.

The pelvic support should be adjusted around the higher part of the pelvis.

The support of the pelvis and the weight on his feet can be increased or decreased by adjusting the harness height

The height of the **thoracic support** is usually adjusted according to the child's ability to control his trunk.. If the User has a sufficient trunk control, the chest support may be removed.

THE NEXT STEP IS TO ADJUST THE CORRECT LINE-UP OF THE TWO SUPPORTS. THIS IS AN IMPORTANT AND DELICATE OPERATION BECAUSE THE CORRECT POSITIONING OF THE TRUNK ON THE PELVIS DEPENDS ON IT.

Use the locking levers to position the **thoracic support** and move the support backwards or forwards.

THE IDEAL POSITION TO LOOK FOR IS THE ONE WHICH LINES SHOULDERS, TRUNK AND HIPS UP.

By pushing the thoracic support further forward as regards to the pelvic support and by putting the hands on the handlebar, the trunk is moved forwards, thus stimulating walking. This position must not be forced, otherwise it might have the opposite effect.

The **handlebar** must be adjusted depending on how much the User has to bend or straighten his arms in order to push and guide GRILLO.

WHEN THESE OPERATIONS ARE COMPLETED, GRILLO CAN BE USED AS DESCRIBED BELOW.

First of all it is important to know the aid and how to use it.

Children are not usually afraid to use the aid. On the contrary they are often extremely pleased and happy and they want to move in all directions. These "rash" children must not be prevented from doing so. In fact they should be encouraged. In the first days it is a good idea to let the child use GRILLO freely so that he can try the different ways of using it.

For "fearful" children who are afraid to use GRILLO (probably due to problems of perception which make awareness of space and distance difficult) it is better to start its use in a different way.

In his first steps the User mustn't be left alone, but he must be accompanied by qualified personnel either therapist or parent who will stand either in front or to one side and will move GRILLO slowly and gently.

This gives the User a feeling of safeness particularly if the therapist or parent speaks to him at the same time and explains what they are doing (for instance, "now we are going towards the table, we are reaching the TV, we are going to get the ball on the table, we are going back ...")

The first steps are always made forwards, then backwards and finally sideways.

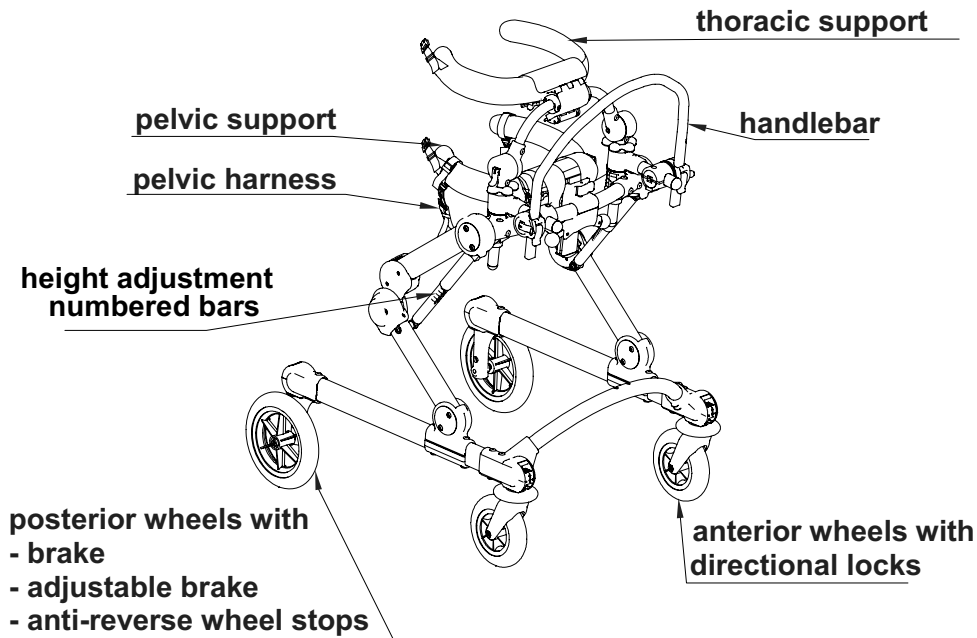
At first walking will be at a constant speed, then a change in step will be asked for so that speed will be faster or slower.

We suggest to follow well defined paths specifically designed to help orientate both "rash" and "fearful" Users.

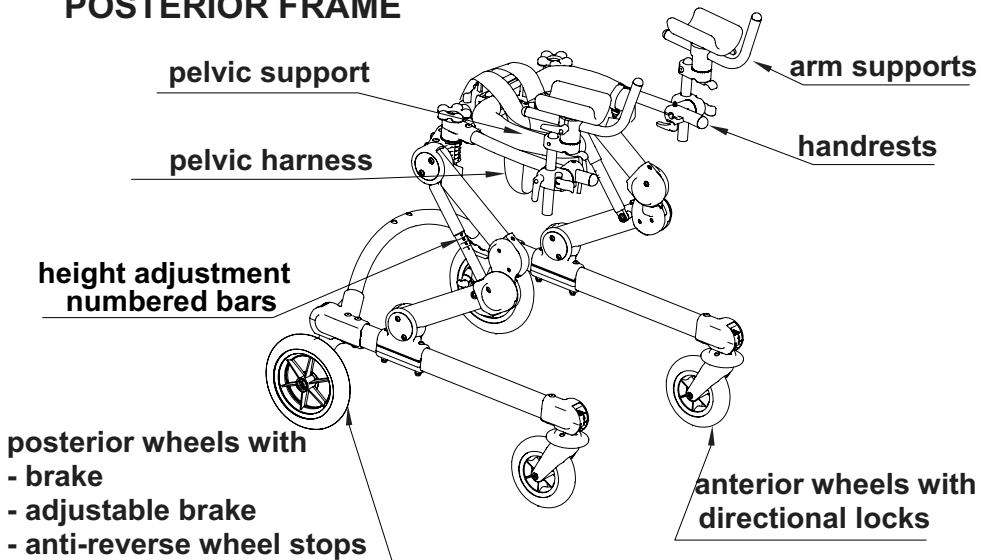
For those children who cannot easily walk, it is better to position the thoracic support forwards respect to the pelvic support in order to get the flexion of the trunk. In this way it will be easier to start moving the lower limbs.

HOW GRILLO IS COMPOSED

ANTERIOR FRAME



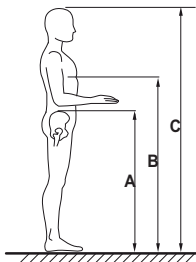
POSTERIOR FRAME



TECHNICAL SPECIFICATIONS - GRILLO GAIT TRAINER

- Available in **2 SIZES (OneTwo and ThreeFour)** and **2 MODELS (GRILLO Front drive and Posterior gait trainer)**.
- **ALUMINIUM FRAME**, foldable for easy transportation and with **PATENTED HEIGHT-ADJUSTMENT SYSTEM**. **4 sizes in 2 frames**.
- **PELVIC SUPPORT and THORACIC SUPPORT**, padded, independently adjustable in height, width and circumference; allow an easy access thanks to the back opening. They **hold the user just like two hands** and this gives him/her a sense of security and stability allowing the user to concentrate only on walking without any fear.
- **GRADUATED BARS** as a reference on height adjustments.
- **PELVIC HARNESS**, ergonomic, comfortable, adjustable and easily removable for washing. It supports the users in case of necessity without generating painful pressures.
- **HANDLEBAR** removable and adjustable in height, it is used as a reference and as an armrest.
- Adjustable **HANDLES**.
- **ARM SUPPORTS**, adjustable in height, tilting, rotation and depth.
- **LUMBAR SUPPORT**.
- Manually **FOLDABLE SEAT**. It gives a support in case of need.
- Exclusive **ORMESA DESIGN WHEELS**, light and puncture-proof: 2 front swiveling, Ø15 (size "Onetwo") and cm 17,5 (size "Threefour") and 2 rear fixed, Ø cm 20 (size "Onetwo") and Ø cm 25 (size "Threefour").
- **DIRECTIONAL LOCKS** on front wheels.
- **ADJUSTABLE BRAKES**.
- **ANTIREVERSE DEVICE**.
- **WHEEL STOP**.
- **UPHOLSTERIES** breathable and removable for washing.
- **SEMI-ELASTIC BUFFERS** on front wheels to protect against bumps.
- **LEG DIVIDER** avoids adduction and helps to follow the right gait pattern.
- **PUSH HANDLE FOR THE ASSISTANT**
- **WEIGHT BARS**. They make the aid heavier according to the size:
 - Grillo OneTwo + 2,6 kg. (Lbs. 5.7) x2
 - Grillo ThreeFour 3,4 kg. (Lbs. 7.5) x 2

User dimensions



USER HEIGHT (C):

cm 90 -135 GRILLO OneTwo

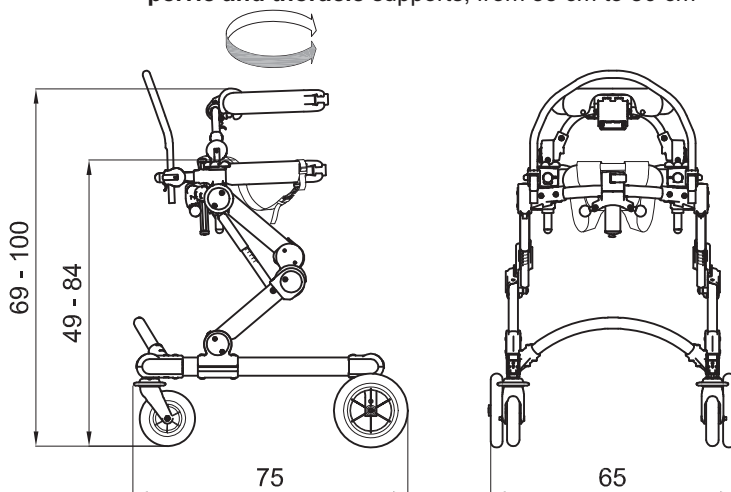
cm 110-165 GRILLO ThreeFour

IMPORTANT:

Make sure that measures A and B indicated in the figure do not exceed the suggested range indicated for the supports (see pages 12 and 13)

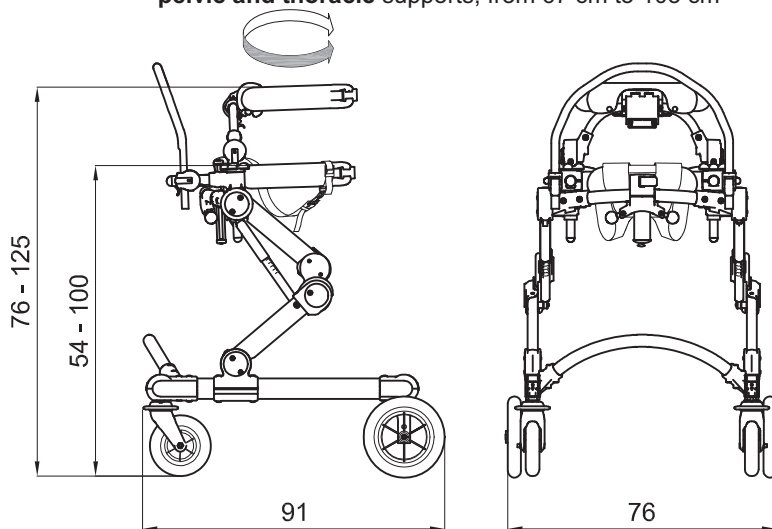
DIMENSIONS in cm

Inner circumference of the adjustable pelvic and thoracic supports, from 55 cm to 80 cm



GRILLO FRONT-DRIVE gait trainer size OneTwo WEIGHT 16,2 kg MAX. LOAD kg 45

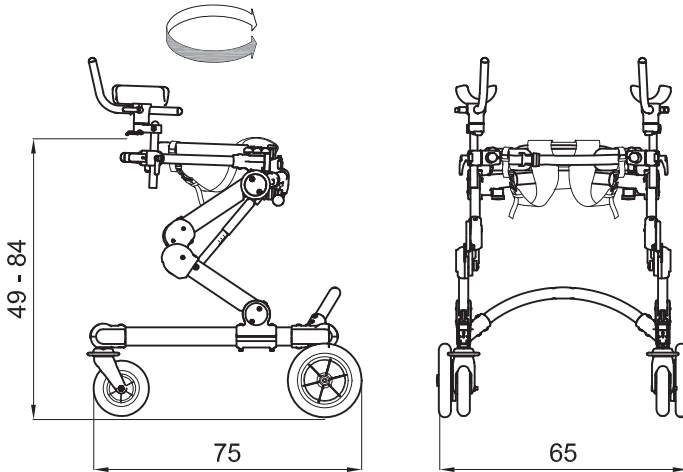
Inner circumference of the adjustable pelvic and thoracic supports, from 67 cm to 103 cm



GRILLO FRONT-DRIVE gait trainer size ThreeFour WEIGHT 19,5 kg MAX. LOAD kg 90

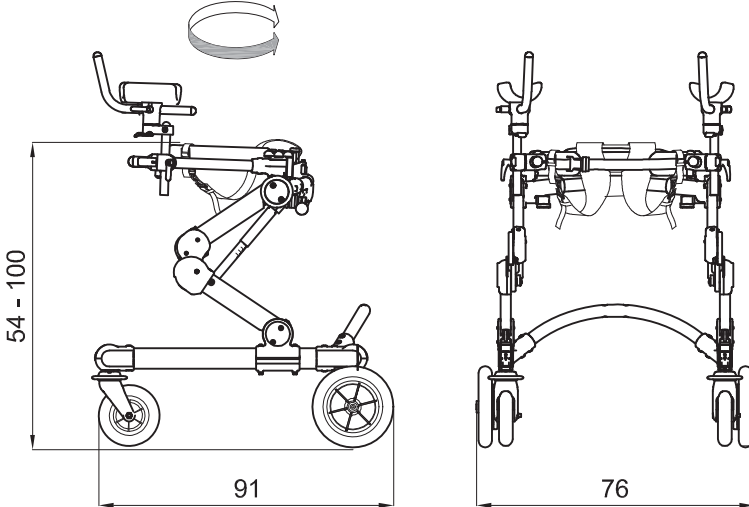
HYPHEN-SEPARATED NUMBERS INDICATE THE MINIMUM AND MAXIMUM RANGE OF ADJUSTMENT

Inner **circumference** of the adjustable **pelvic** support, from 55 cm to 80 cm



GRILLO POSTERIOR gait trainer **size OneTwo** WEIGHT 15,7 kg MAX LOAD. kg 45

Inner **circumference** of the adjustable **pelvic** support, from 67 cm to 103 cm



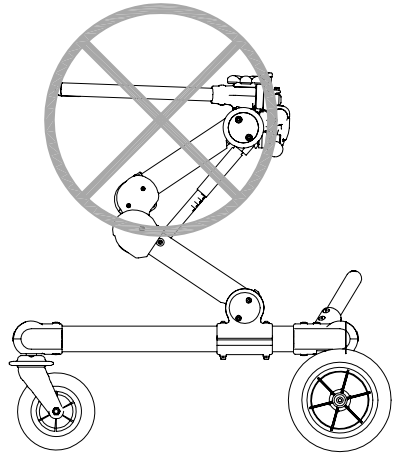
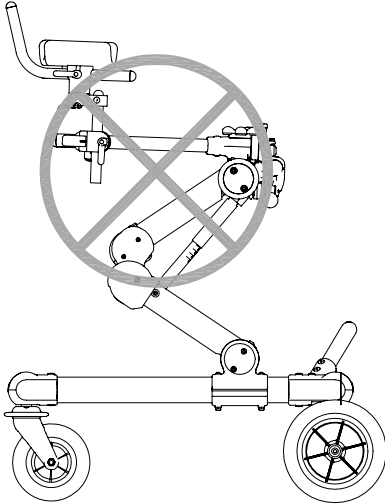
GRILLO POSTERIOR gait trainer **size ThreeFour** WEIGHT 17,7kg MAX LOAD. kg 90

HYPHEN-SEPARATED NUMBERS INDICATE THE MINIMUM AND MAXIMUM RANGE OF ADJUSTMENT

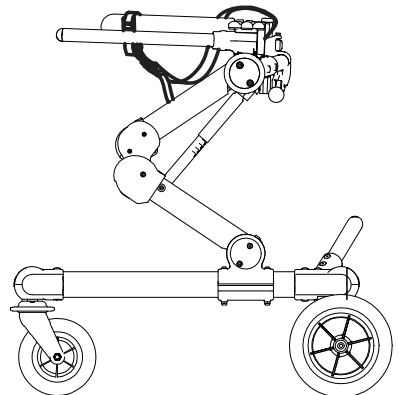
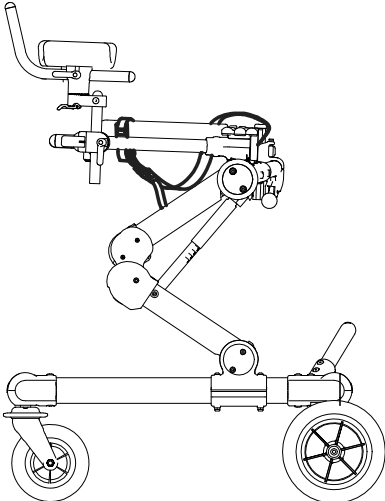
WARNINGS ON POSTERIOR GRILLO



WARNINGS



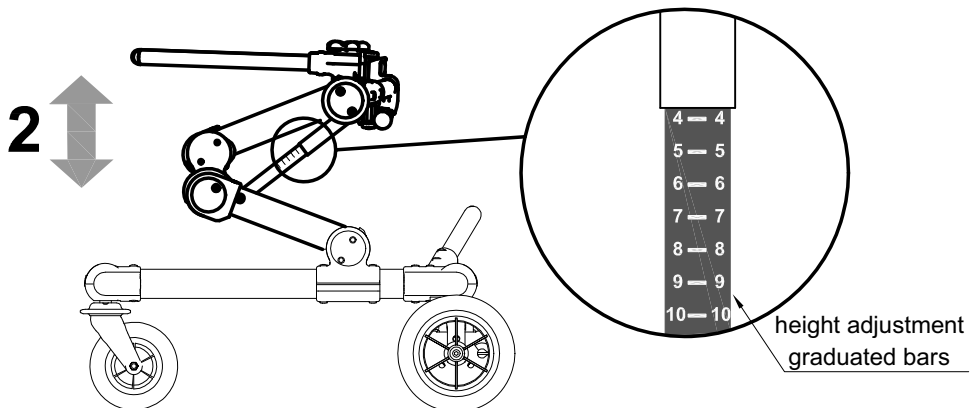
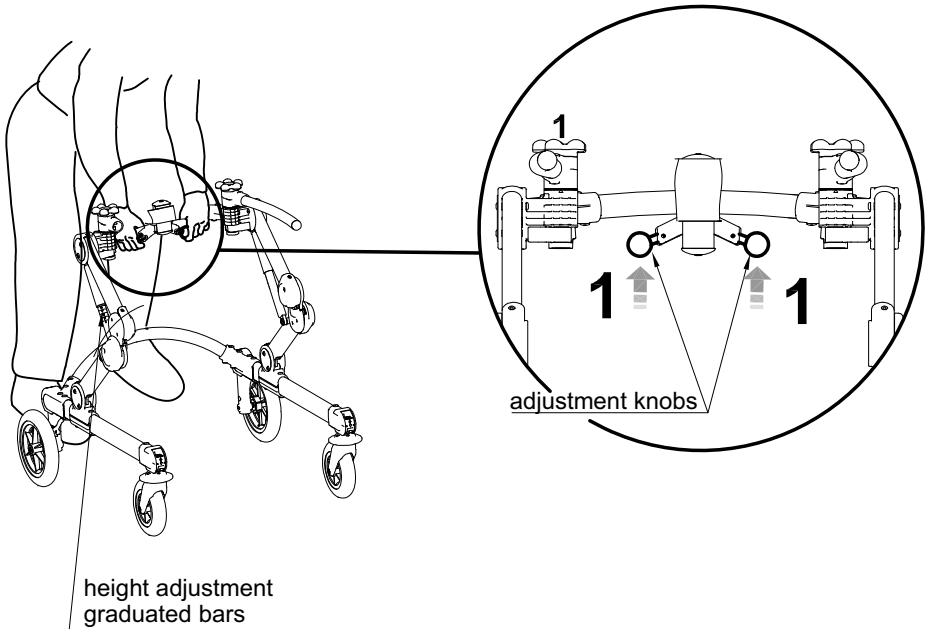
SHOULD THE USER WEIGHT EXCEED 80 Kg, THE USE OF THE PELVIC HARNESS IS REQUIRED.



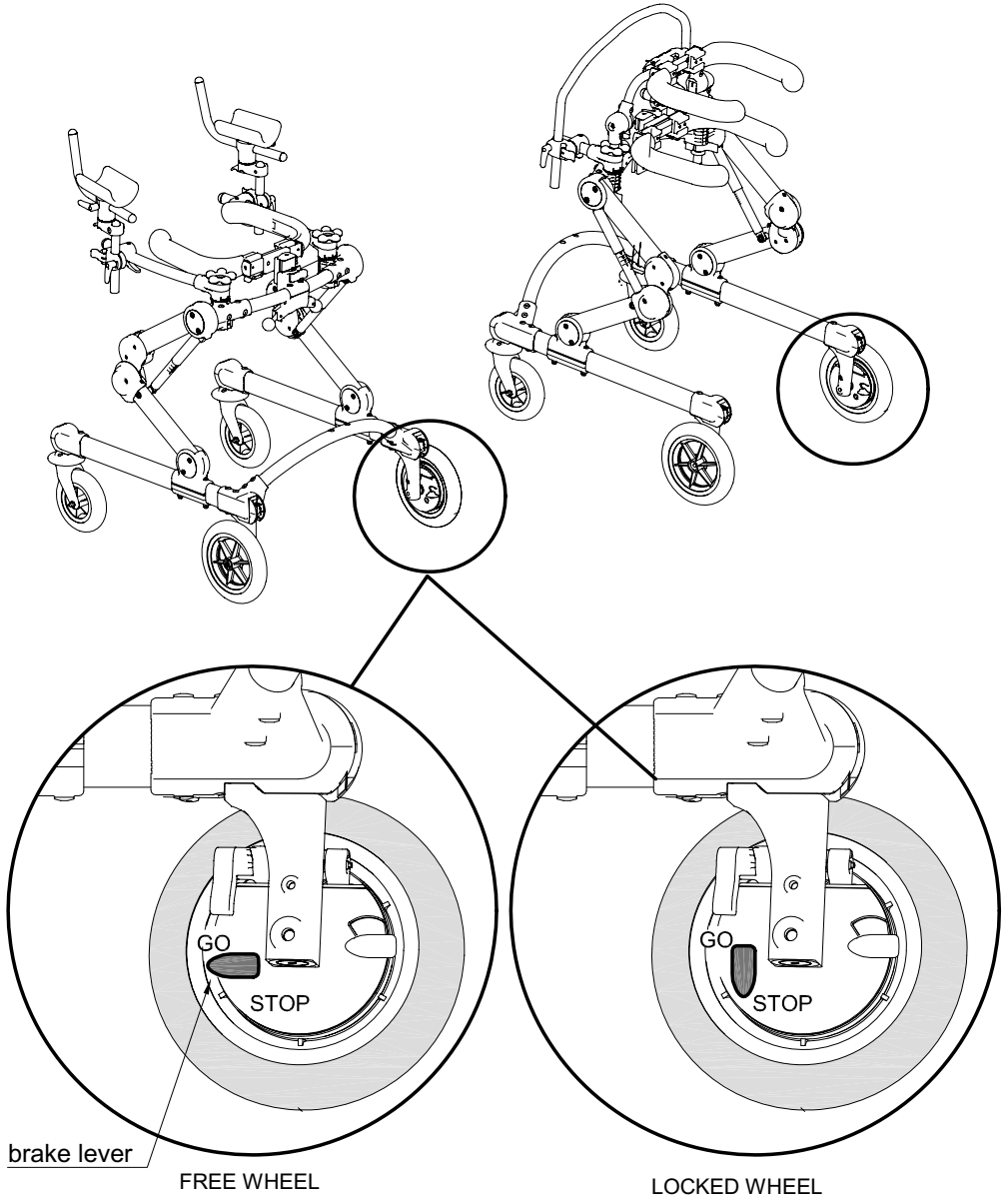
HOW TO USE GRILLO, FRONT DRIVE and POSTERIOR GAIT TRAINER

FRAME: HEIGHT ADJUSTMENT

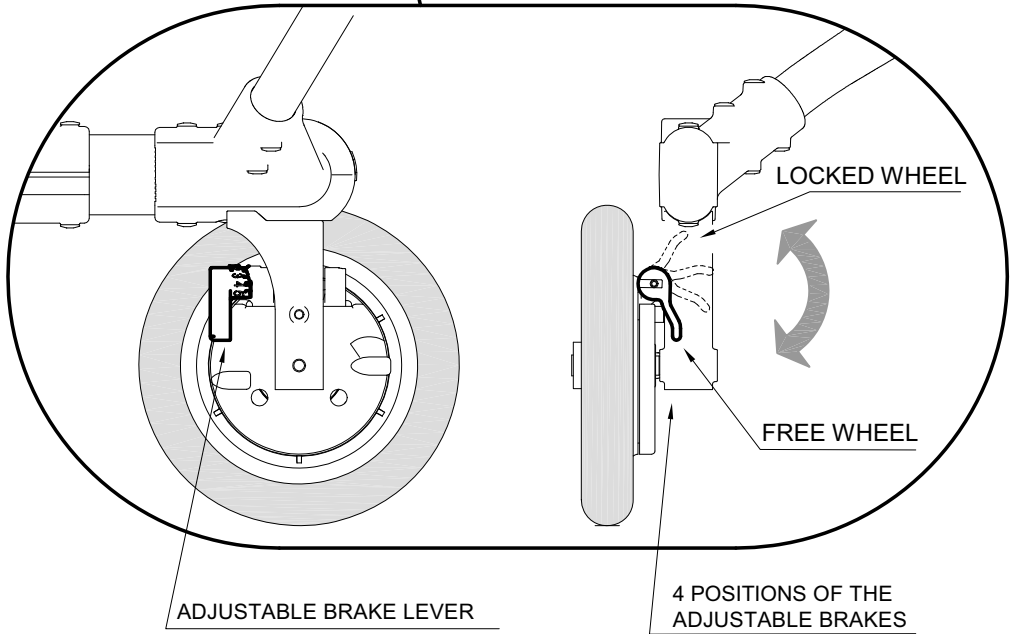
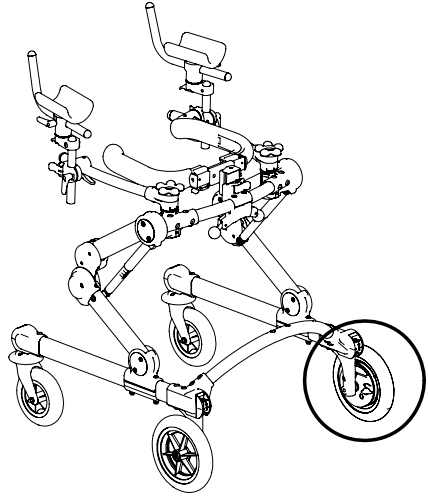
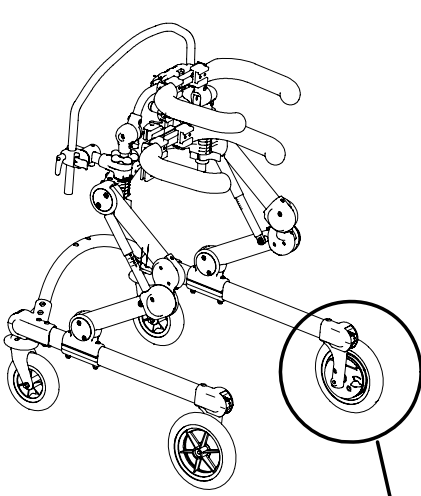
- 1- OPERATE THE ADJUSTMENT KNOBS WITH BOTH HANDS
- 2- ADJUST THE HEIGHT OF GRILLO RELEASING THE ADJUSTMENT KNOBS



BRAKES



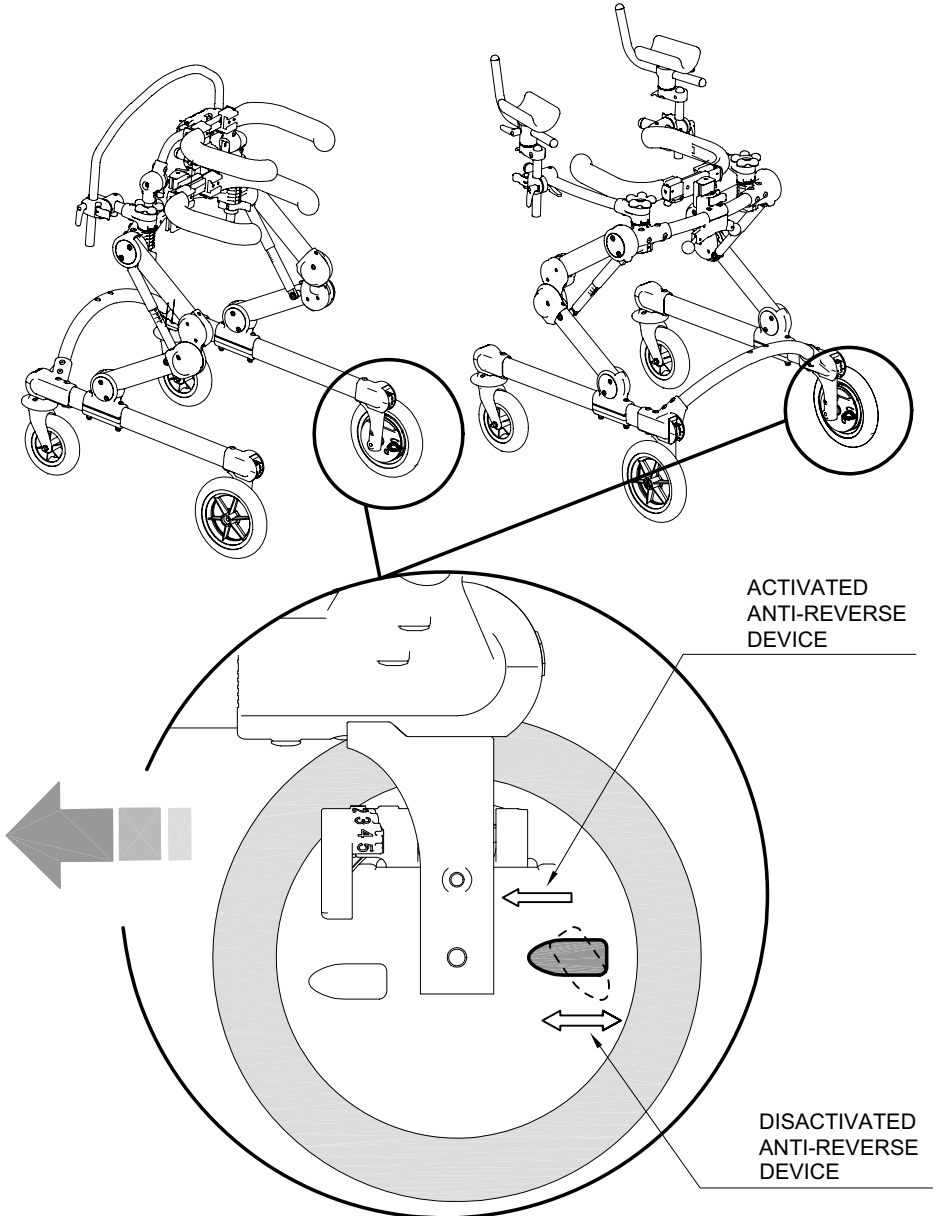
ADJUSTABLE BRAKE



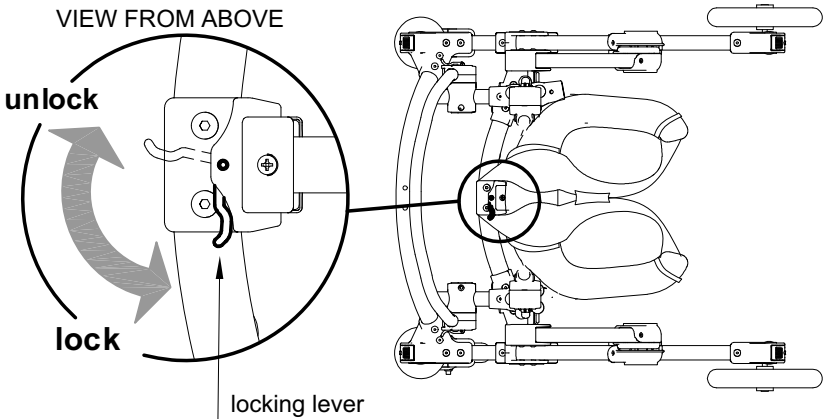
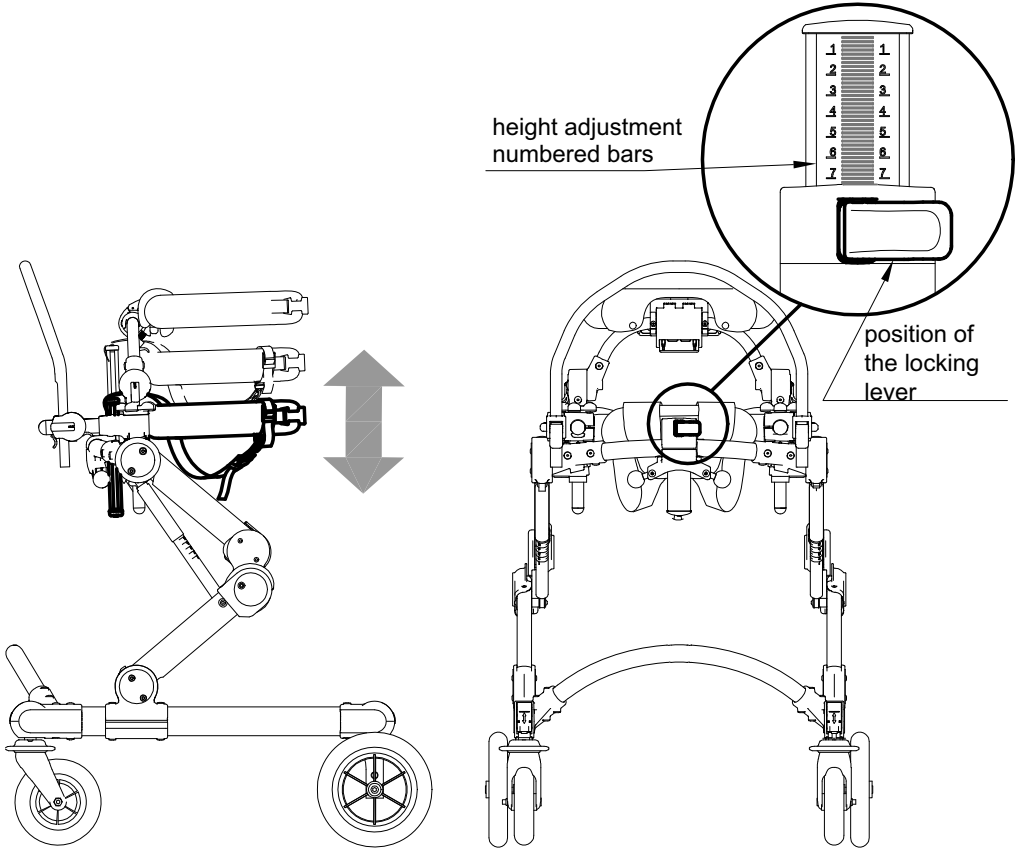
ANTI-REVERSE DEVICE

⚠ WARNINGS!

The anti-reverse device reduces the maneuverability of the gait trainer

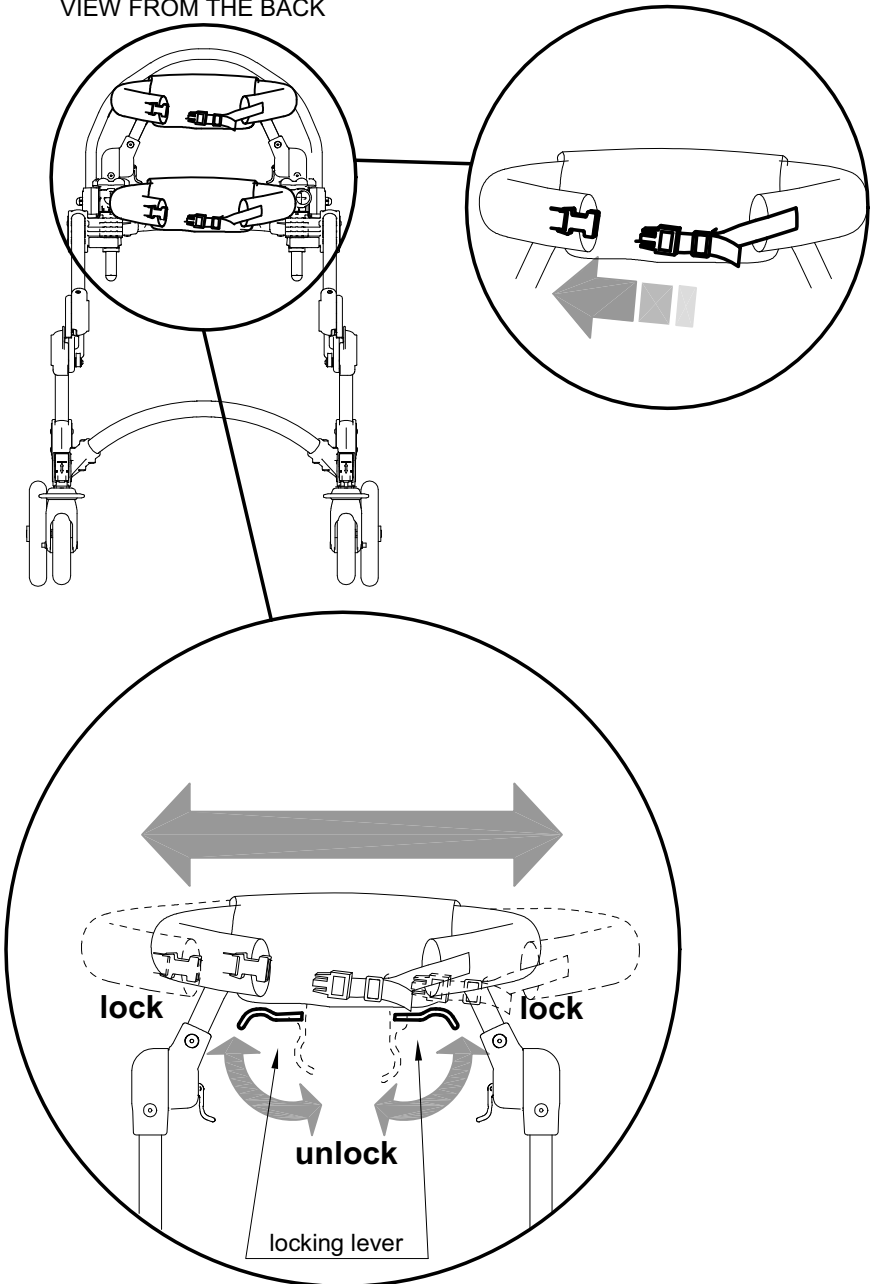


PELVIC SUPPORT: HEIGHT ADJUSTMENT

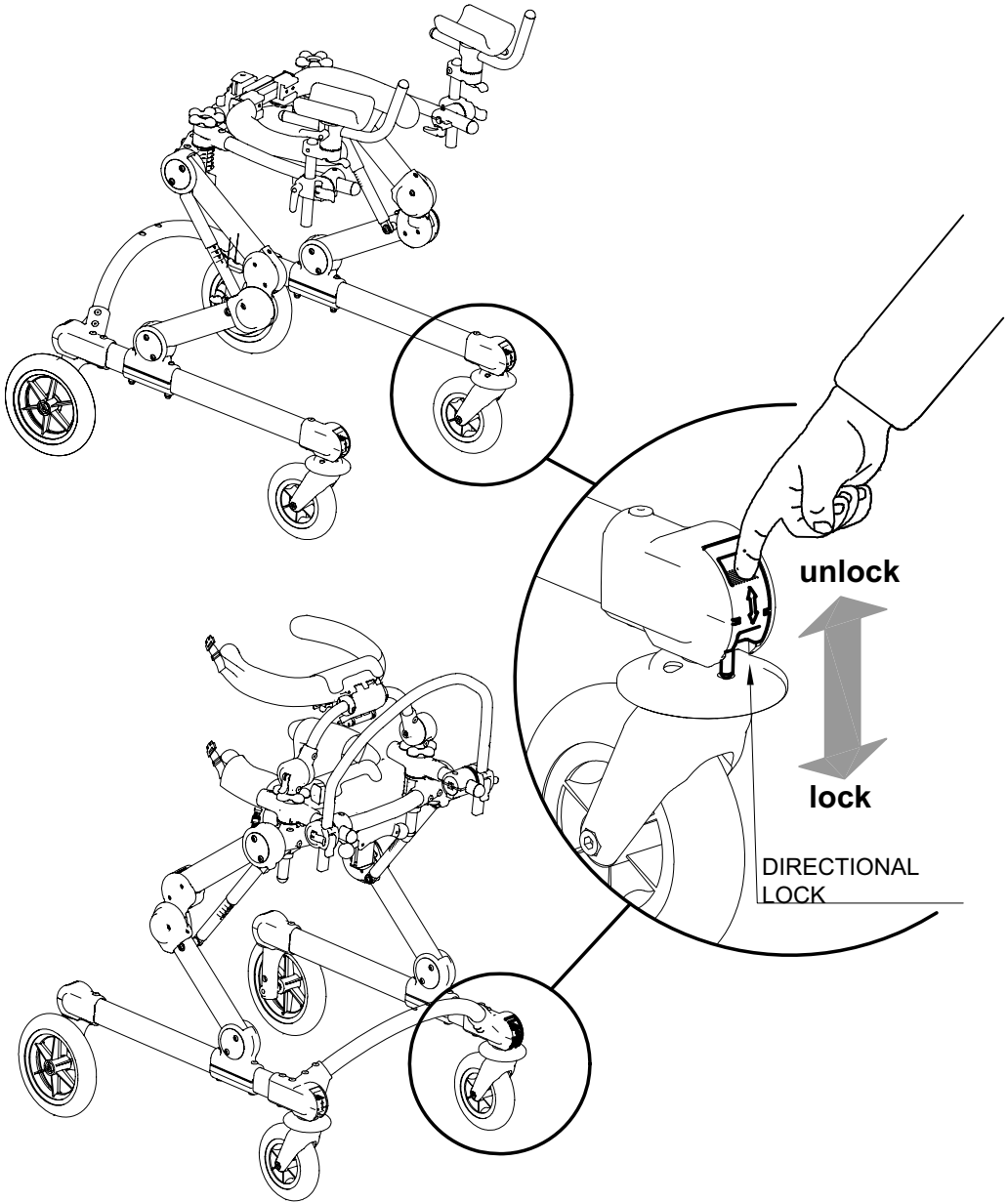


PELVIC AND THORACIC SUPPORTS: CIRCUMFERENCE ADJUSTMENT

VIEW FROM THE BACK



DIRECTIONAL LOCKS



CHANGE GRILLO from POSTERIOR to FRONT-DRIVE GAIT TRAINER and VICE VERSA

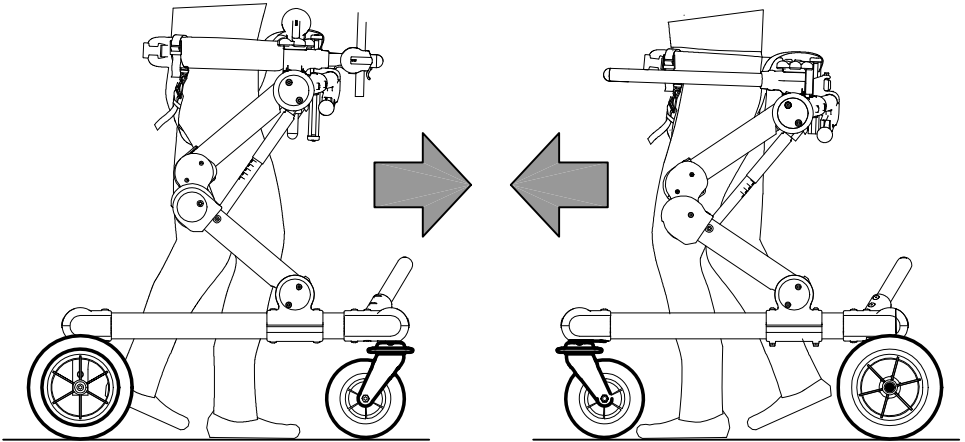
⚠ WARNINGS!

This operation must be done by qualified personnel only

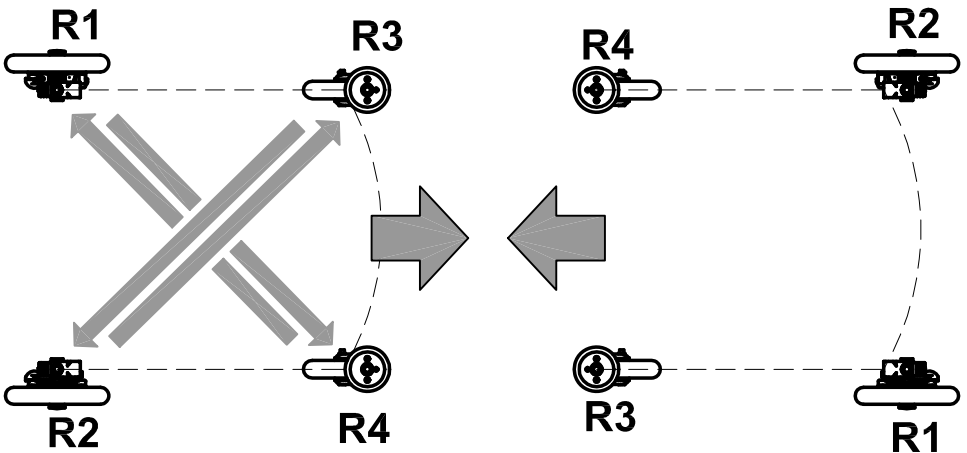
A WHEEL-ASSEMBLING AND DISASSEMBLING SCHEME

GRILLO FRONT-DRIVE GAIT TRAINER

GRILLO POSTERIOR GAIT TRAINER

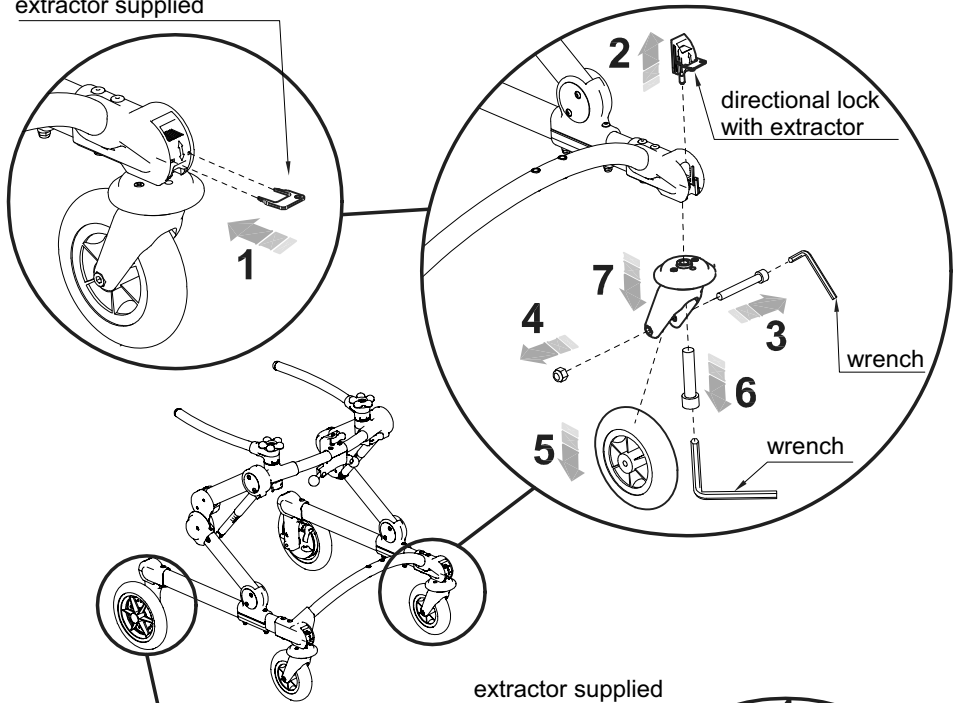


VIEW FROM ABOVE

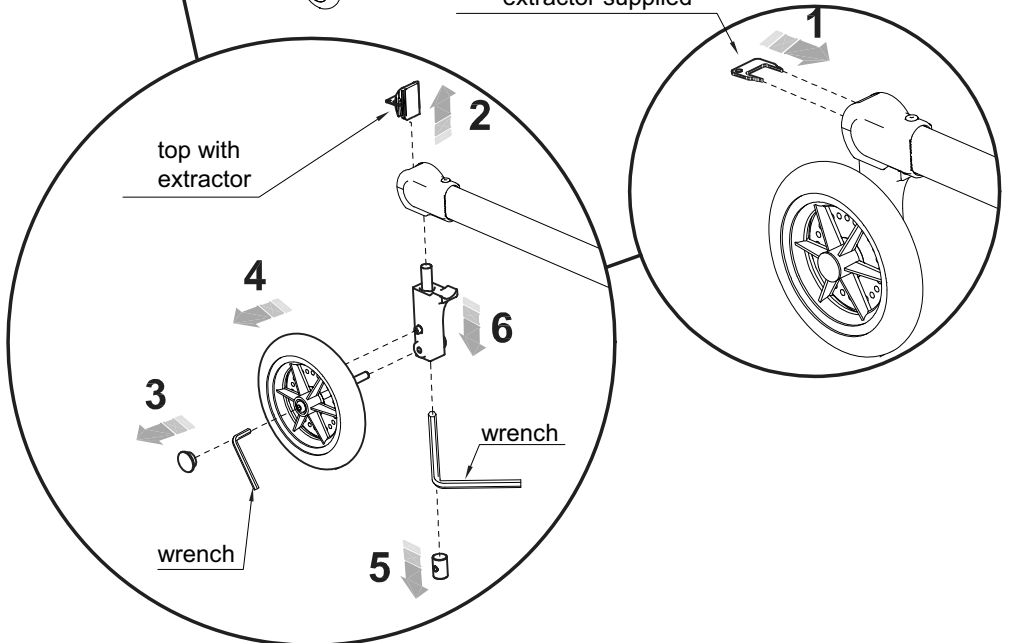


B GRILLO FRONT-DRIVE GAIT TRAINER: DISASSEMBLING THE WHEELS

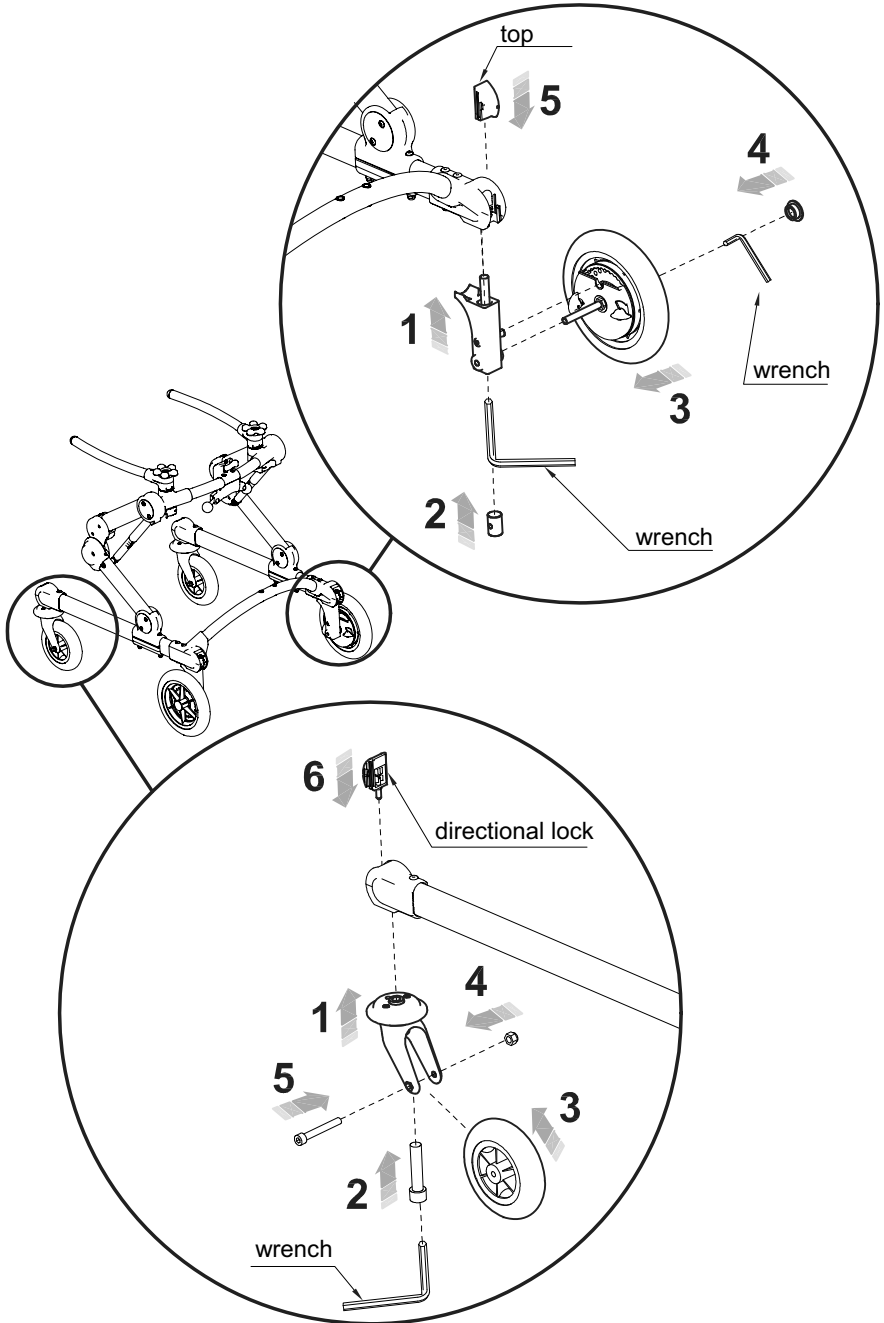
extractor supplied



extractor supplied

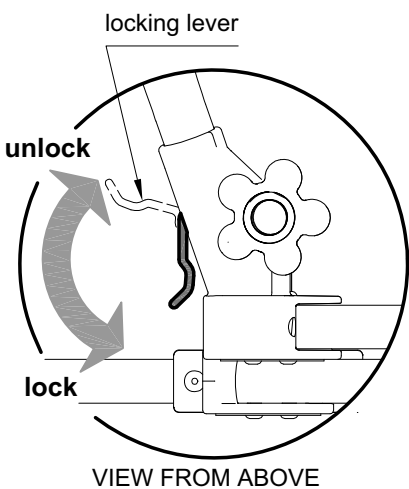
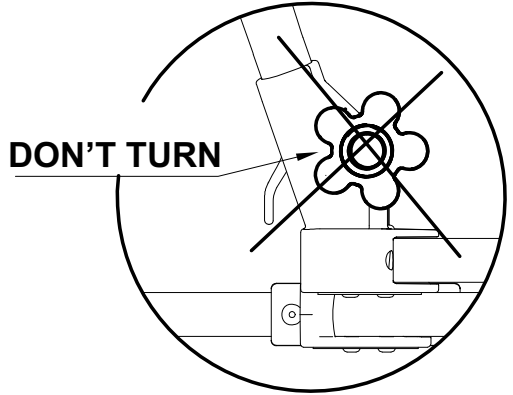
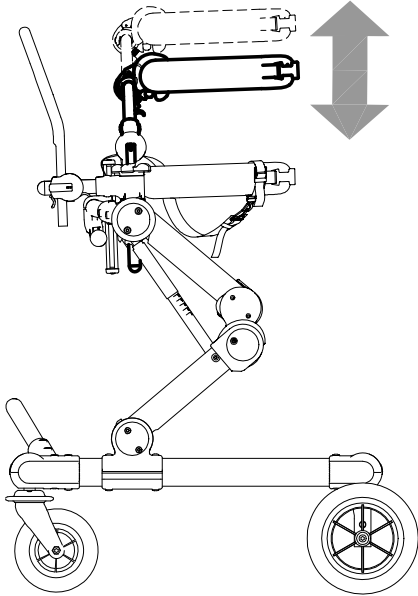


C GRILLO POSTERIOR GAIT TRAINER: ASSEMBLING THE WHEELS



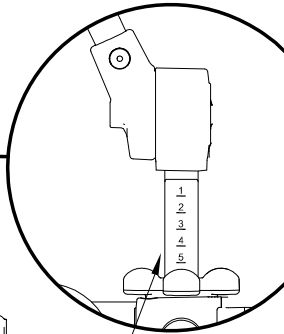
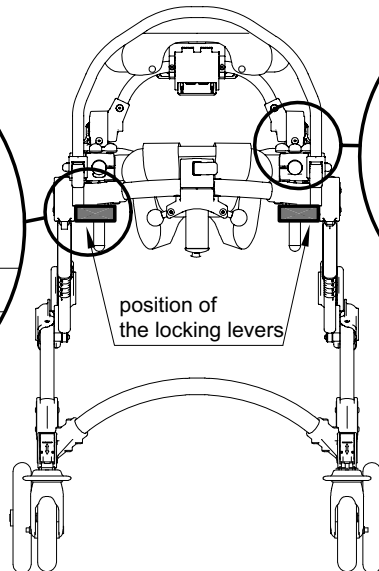
ADJUSTMENTS FOR GRILLO FRONT-DRIVE GAIT TRAINER

THORACIC SUPPORT: HEIGHT ADJUSTMENT



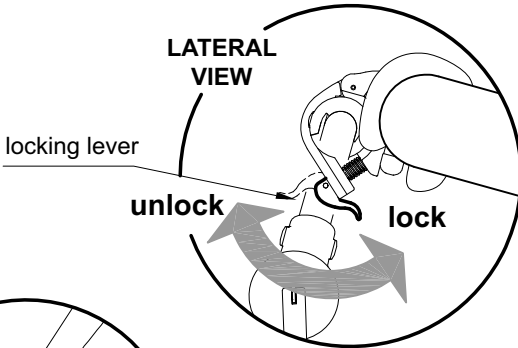
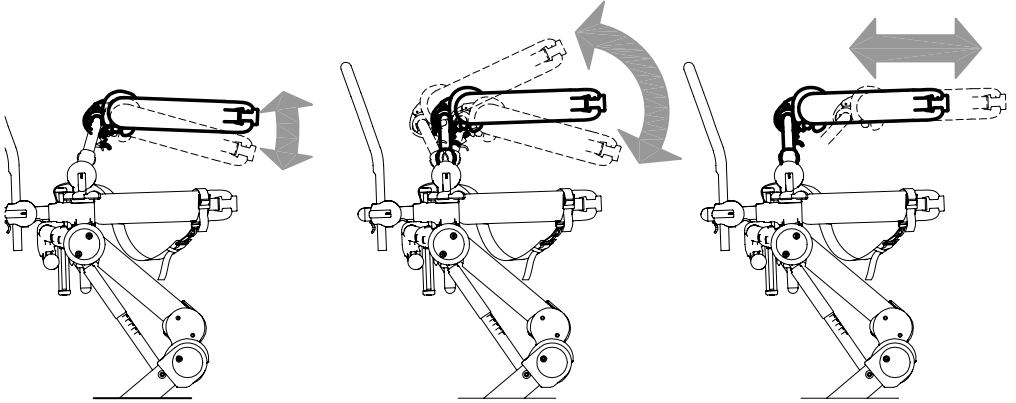
VIEW FROM ABOVE

VIEW FROM THE FRONT

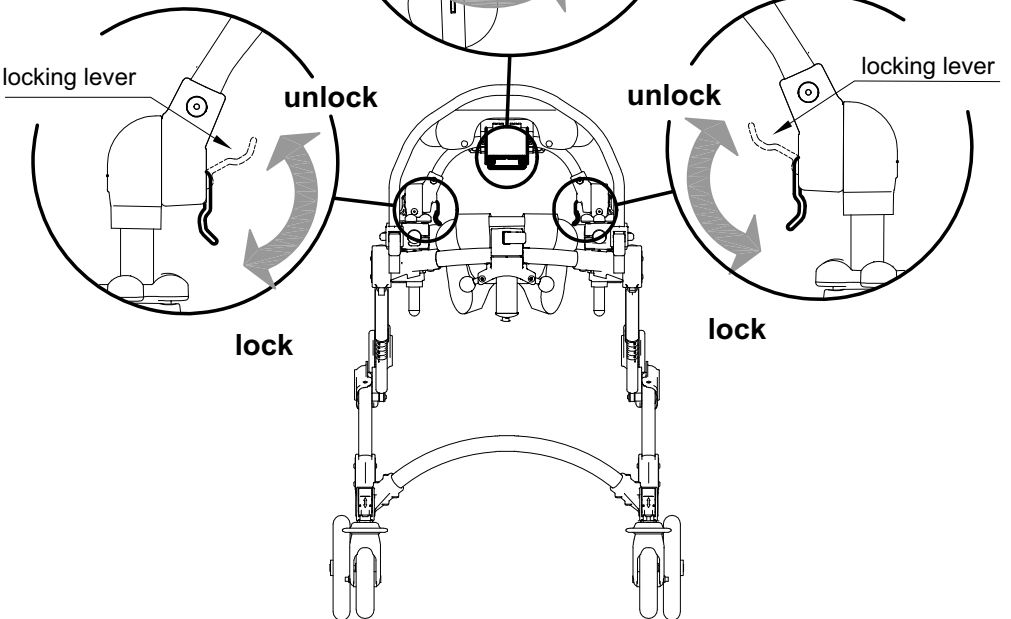


height adjustment graduated bars

THORACIC SUPPORT: FORWARD-BACKWARD and TILT ADJUSTMENTS



NOTE:
UNLOCK ALL THREE LEVERS
ILLUSTRATED IN THE FIGURE
TO OBTAIN THE FORWARD-
BACKWARD ADJUSTMENT OF
THE THORACIC SUPPORT.



PELVIC HARNESS: ASSEMBLY AND ADJUSTMENT

The procedure and harness position are the same, both on the front drive and posterior models

- 1)** Remove the pelvic support.
Insert the harness with the rubber-coated surface upwards. Fix the pelvic support.



- 2)** Turn the harness around the pelvic support upwards.



- 3)** Insert the two stripes (red and green) in the pelvic support, by going beyond the attachment of the posterior black buckle (Front Drive Model: the red stripe is on the left and the green one is on the right; in the Posterior Model, the red belt is on the right and the green one is on the left).



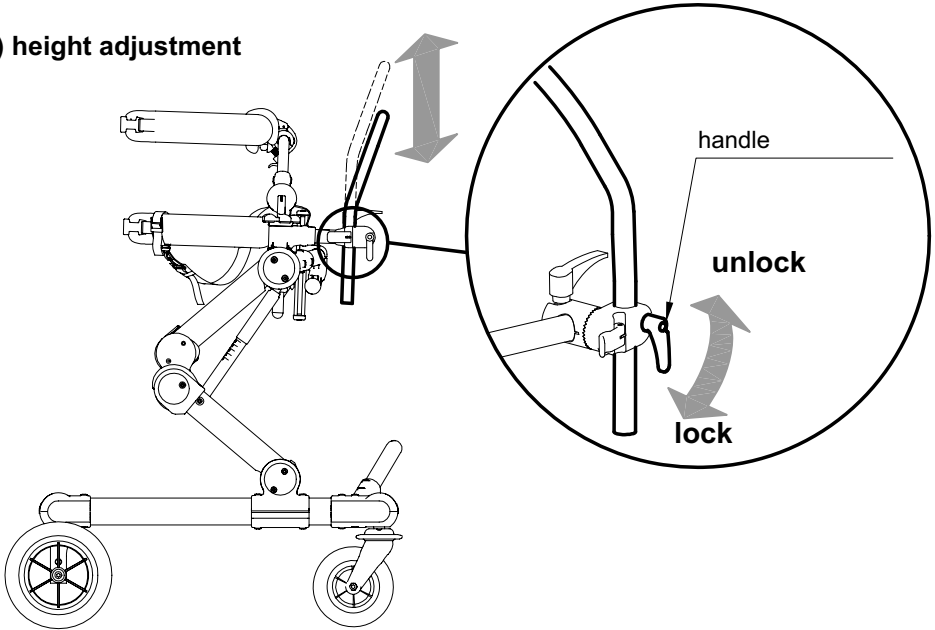
4) Keeping the frame of the walker slightly lowered, fix the right inguinal belt with the hook and then proceed with the left one. Lift the frame of the walker until the correct height for walking is reached.



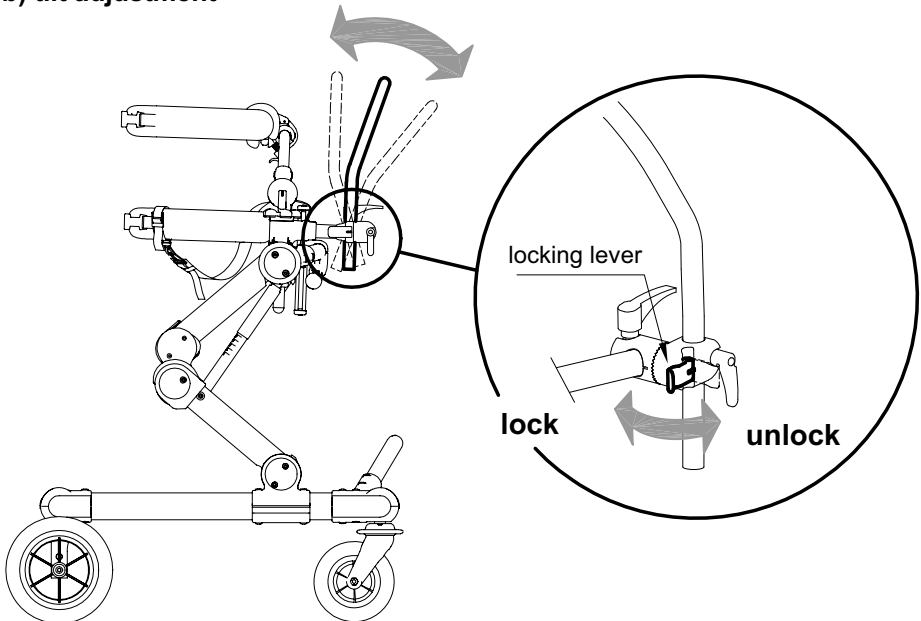
5) Pull the belt (the green and the red ones) until the inguinal belts are tightened.

HANDLEBAR: HEIGHT, TILT, FORWARD-BACKWARD ADJUSTMENTS

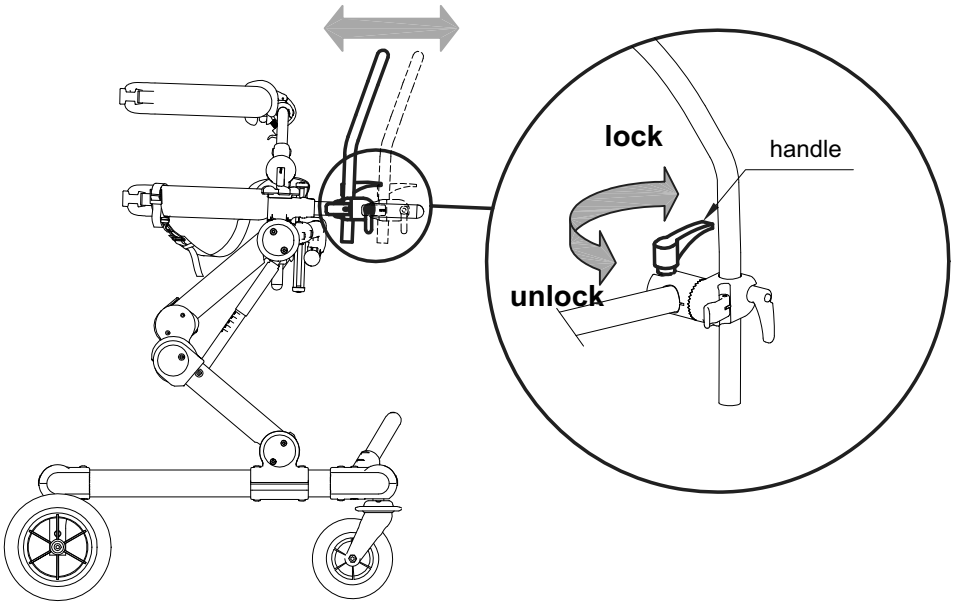
a) height adjustment



b) tilt adjustment

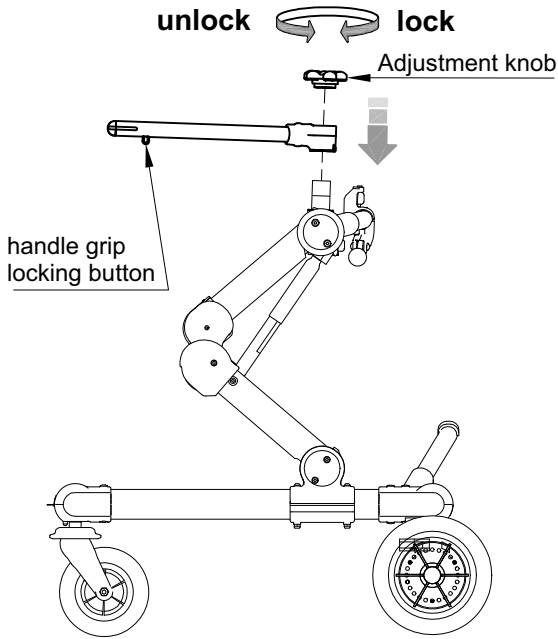


c) forward-backward adjustment

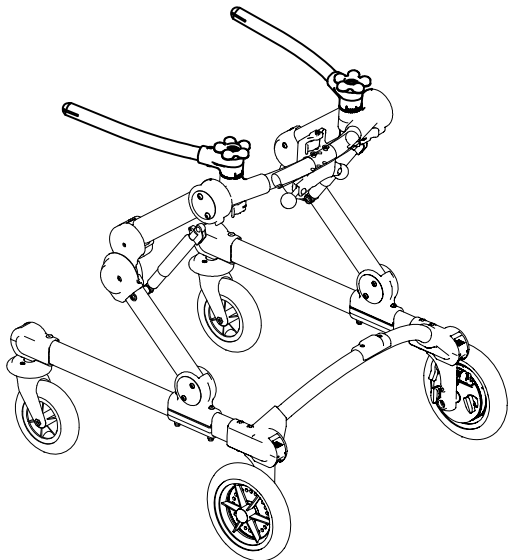
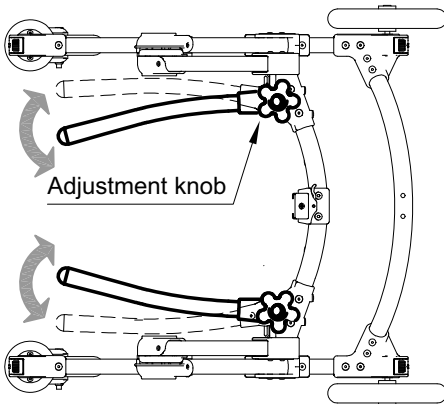


ADJUSTMENTS for GRILLO POSTERIOR GAIT TRAINER

HANDLES: ADJUSTMENTS in WIDTH

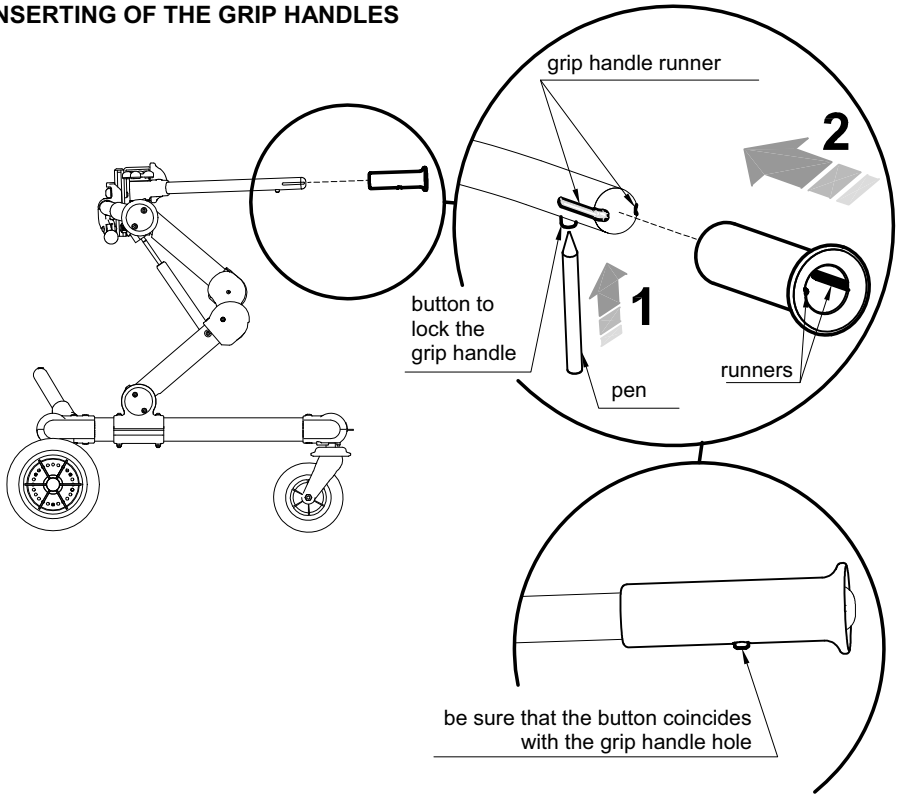


VIEW FROM ABOVE

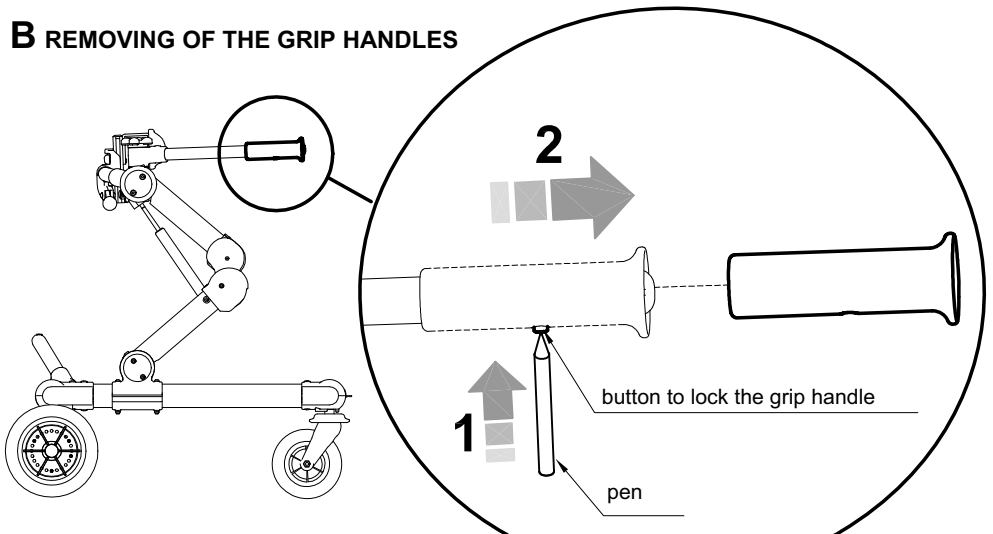


REMOVABLE GRIP HANDLES

A INSERTING OF THE GRIP HANDLES



B REMOVING OF THE GRIP HANDLES



PELVIC HARNESS: ASSEMBLY AND ADJUSTMENT

Follow the instructions on p. 27-28 to mount the pelvic harness

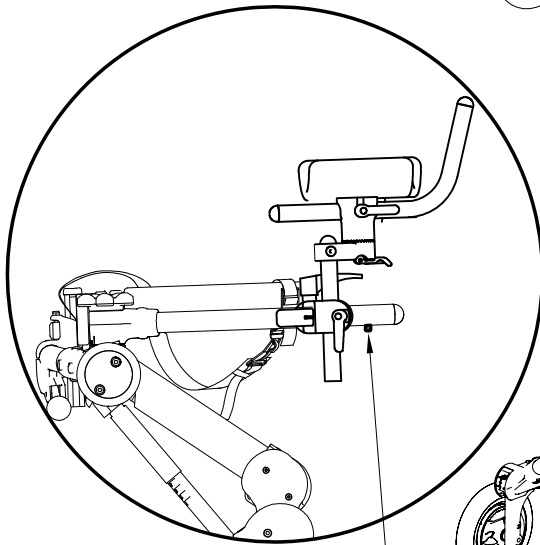
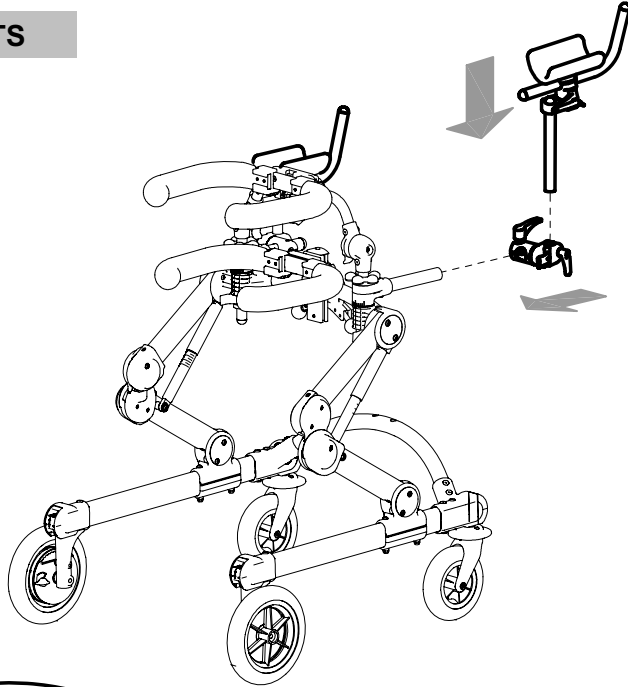


Pull the belt (the green and the red ones) until the inguinal belts are tightened.

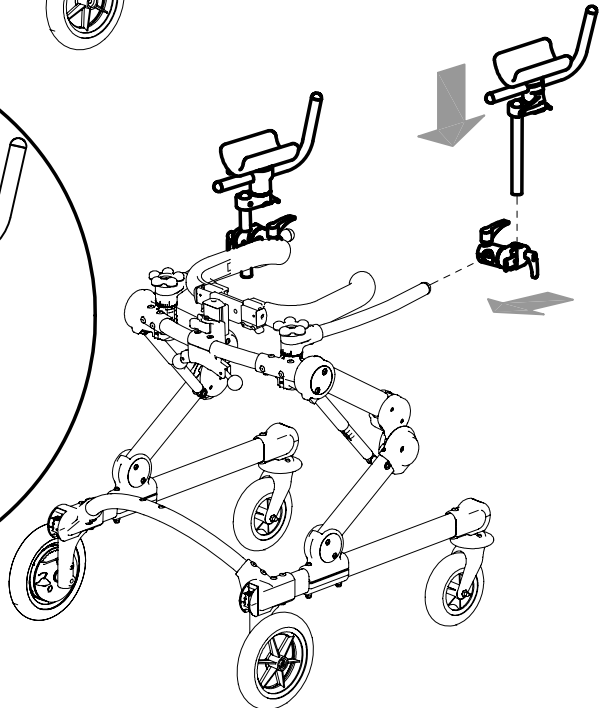
ASSEMBLING AND ADJUSTING THE COMPONENTS

ARM SUPPORTS

A ASSEMBLY

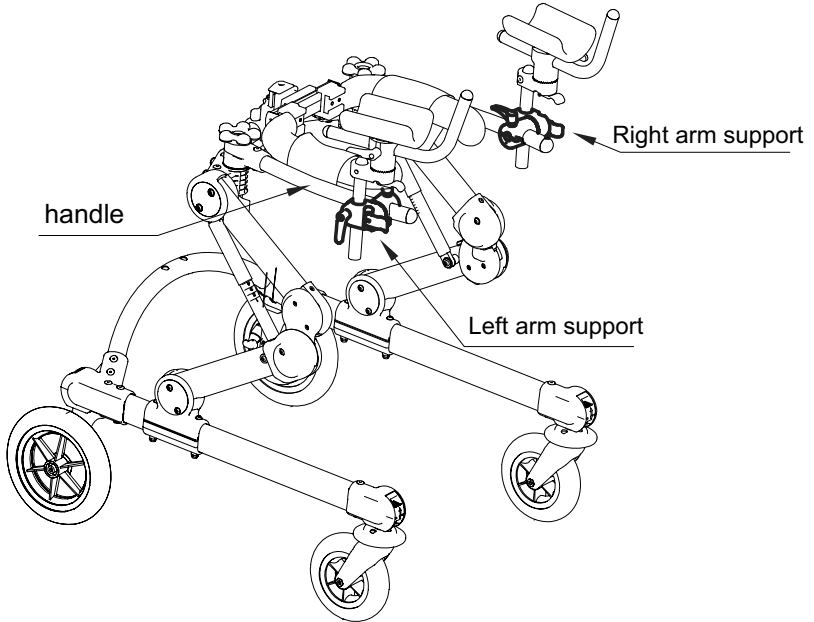


Travel stop

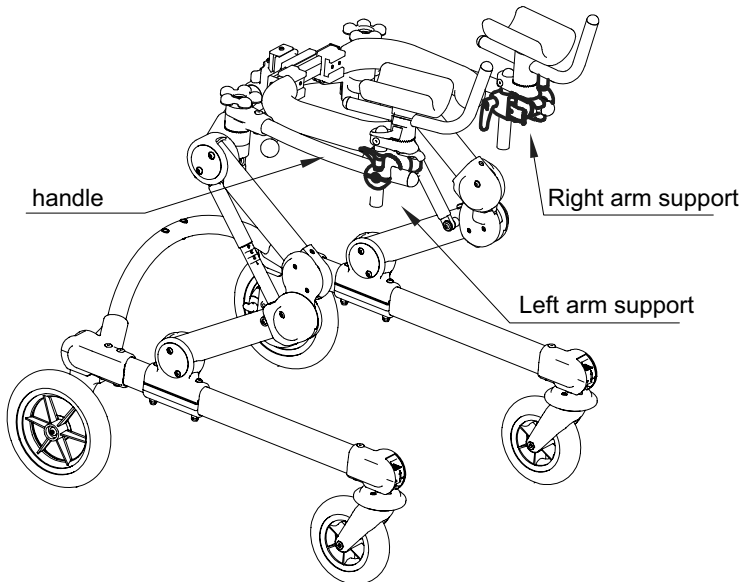


B POSITIONING

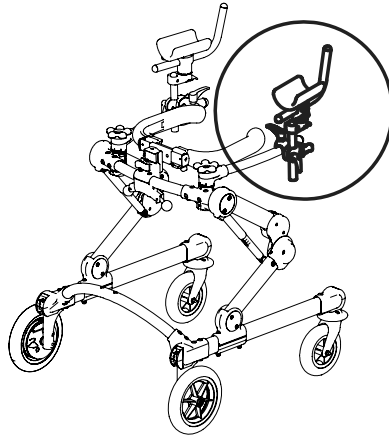
1) Arm support positioned outside the handle



2) Arm support positioned inside the handle

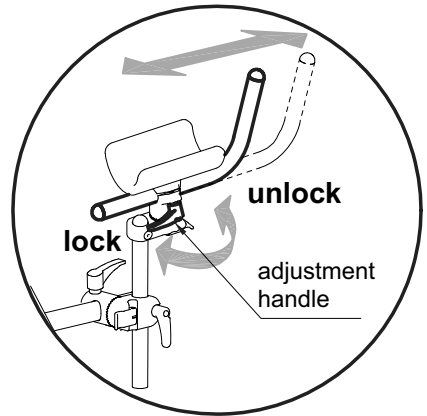
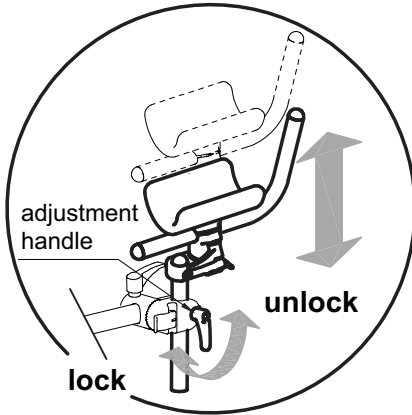


C ADJUSTMENTS

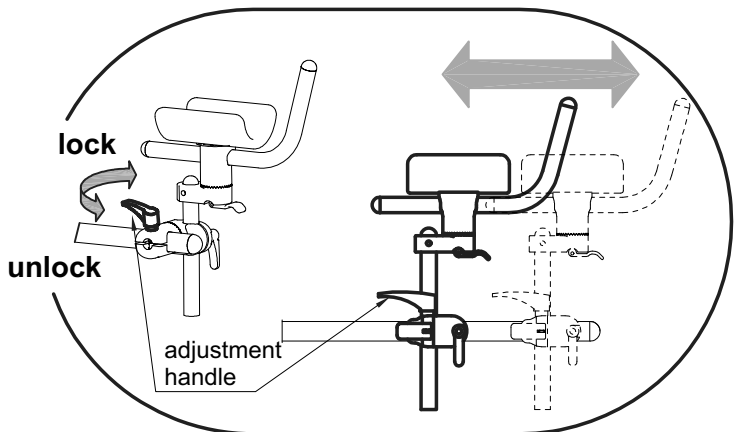


1)
Height

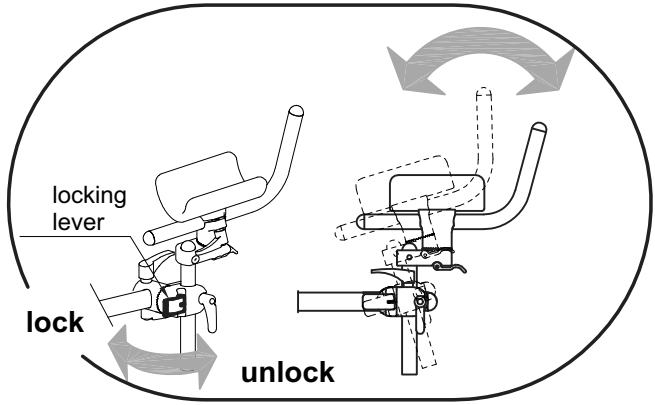
2)
Depth of the handle



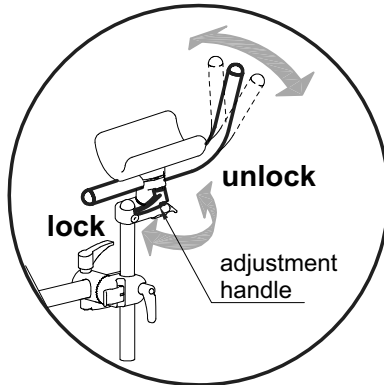
3)
Depth



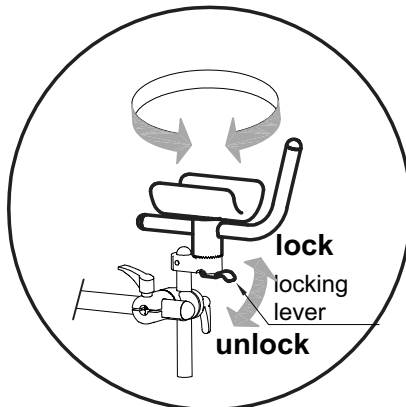
4)
Tilt



5)
From prone to supine
position of the handle

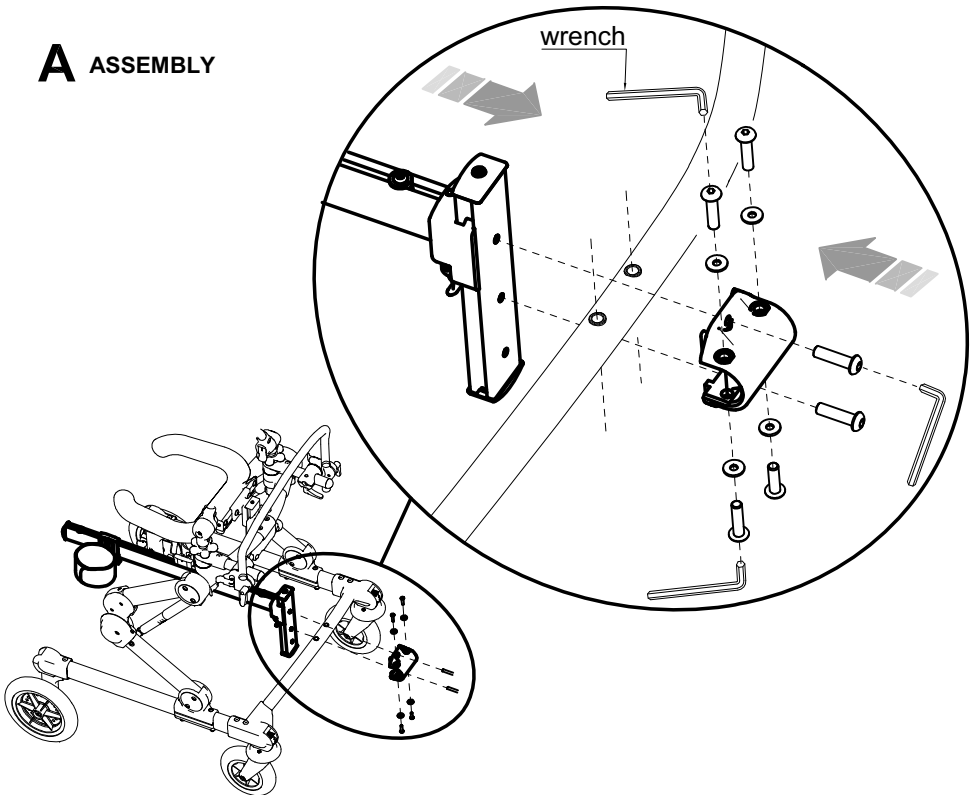


6)
Rotation

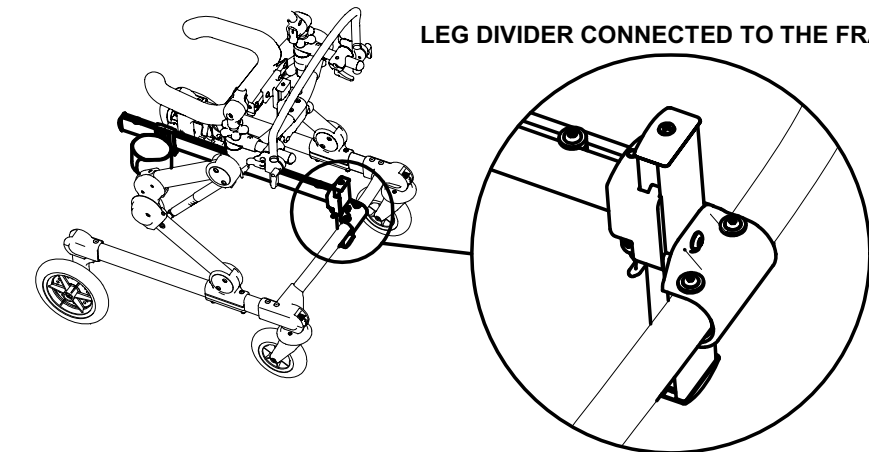


LEG DIVIDER WITH THIGH SUPPORTS

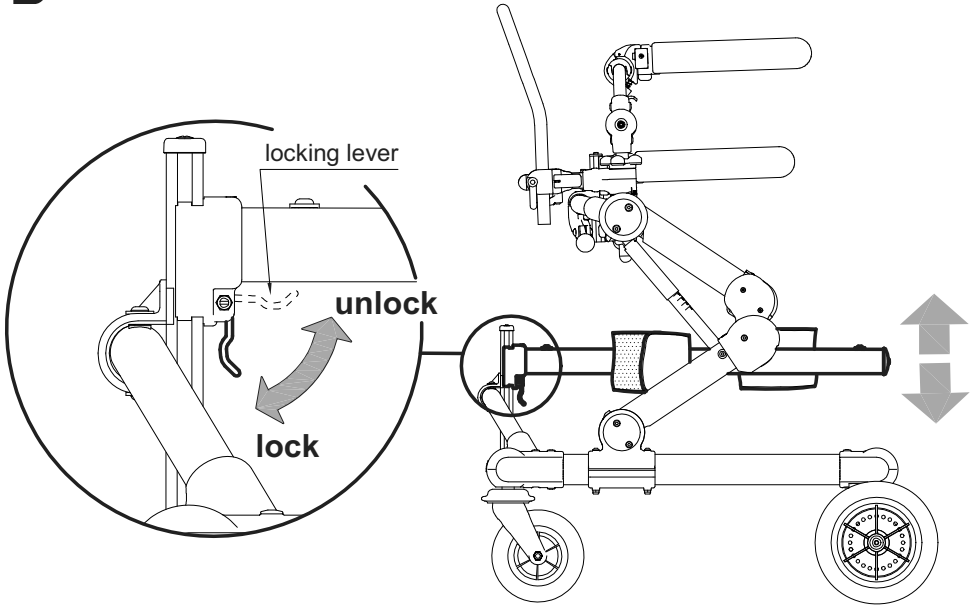
A ASSEMBLY



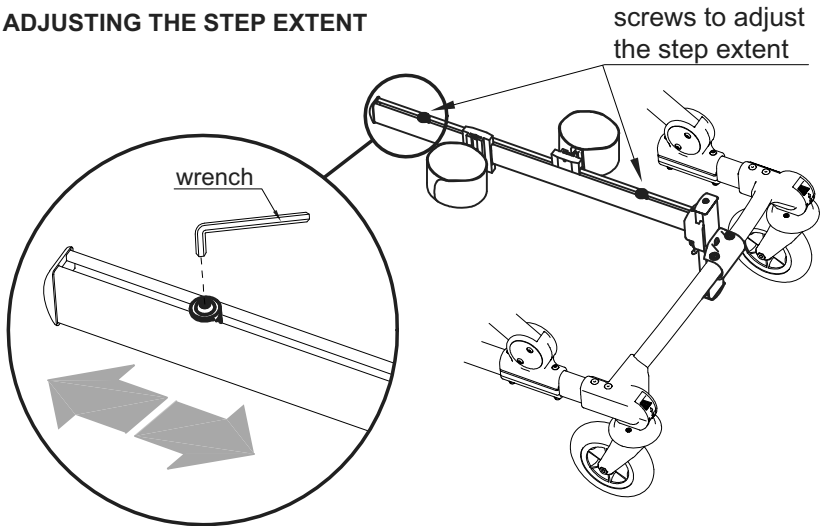
LEG DIVIDER CONNECTED TO THE FRAME



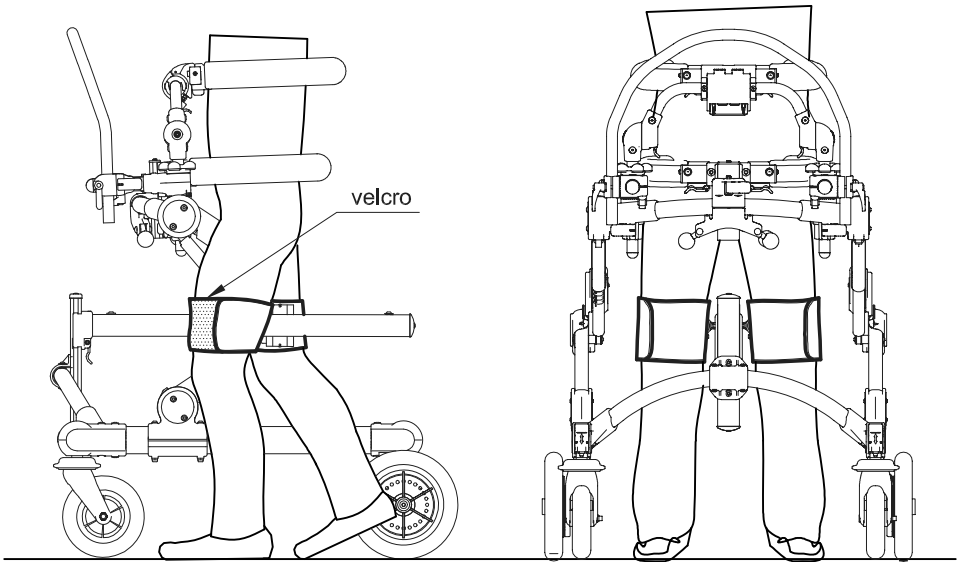
B ADJUSTMENT IN HEIGHT



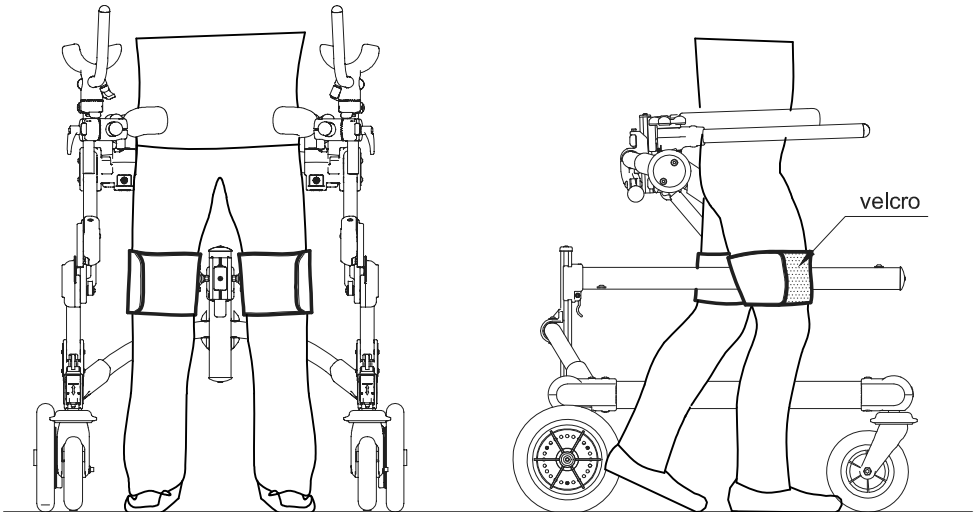
C ADJUSTING THE STEP EXTENT



D POSITIONING THE LEG DIVIDERS OF GRILLO IN THE FRONT-DRIVE GAIT TRAINER

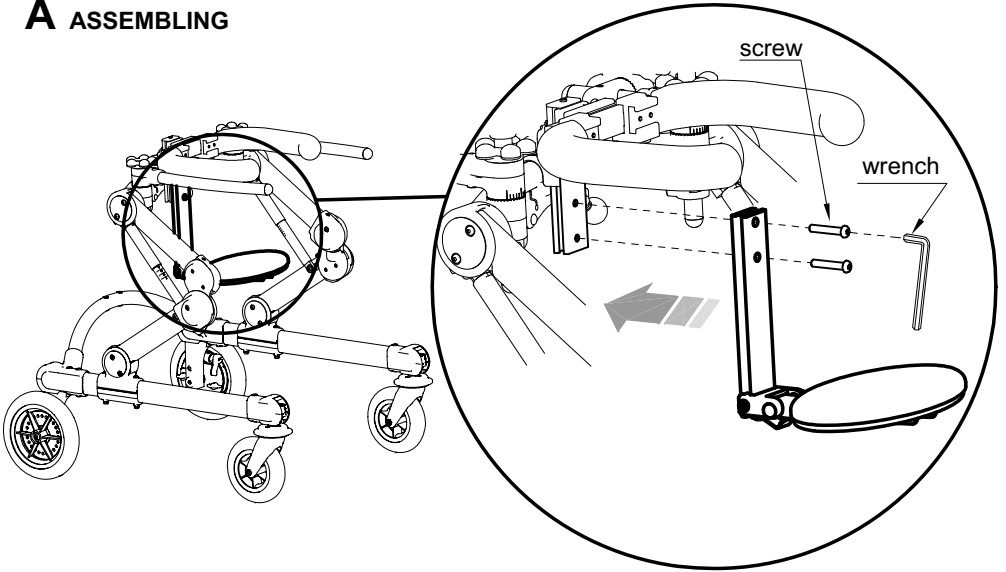


E POSITIONING THE LEG DIVIDERS OF GRILLO IN THE POSTERIOR GAIT TRAINER

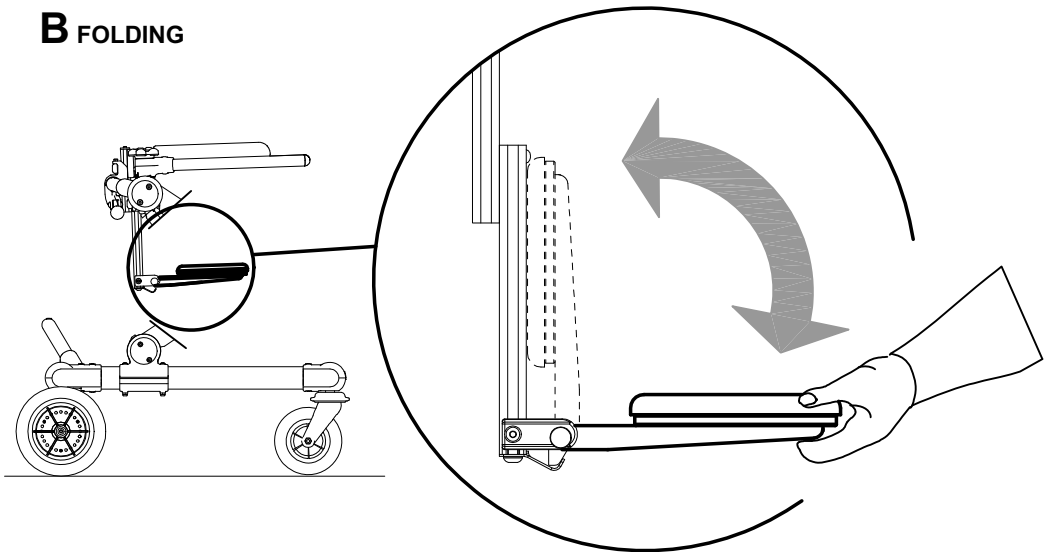


FOLDING SEAT for GRILLO POSTERIOR GAIT TRAINER

A ASSEMBLING

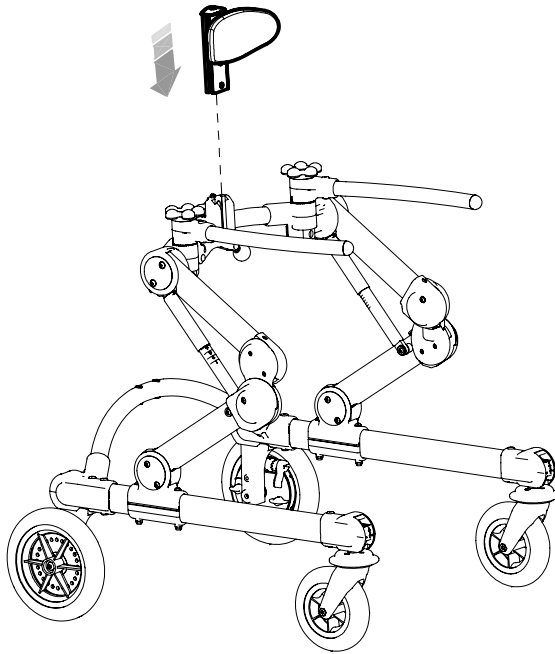


B FOLDING

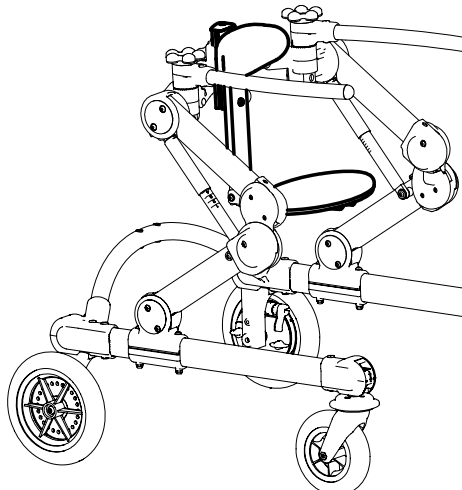


LUMBAR SUPPORT for GRILLO POSTERIOR GAIT TRAINER

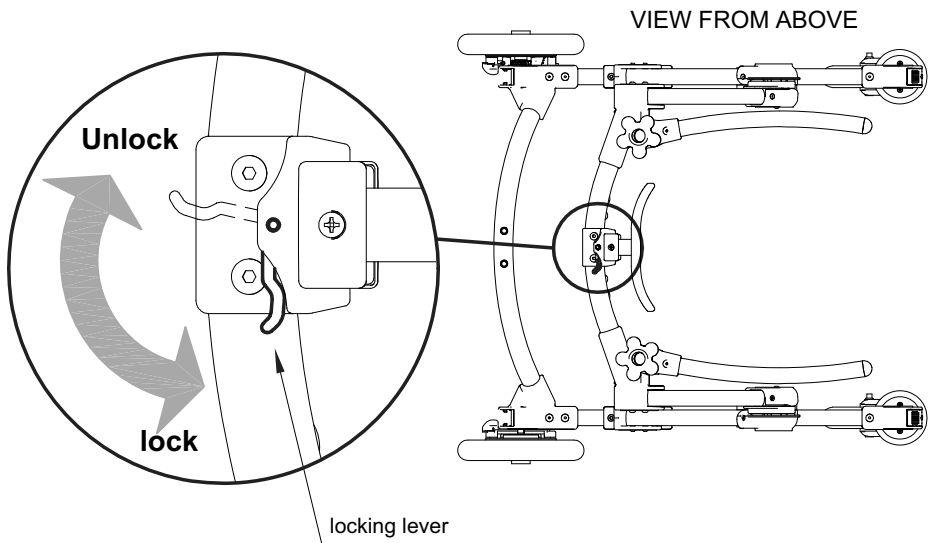
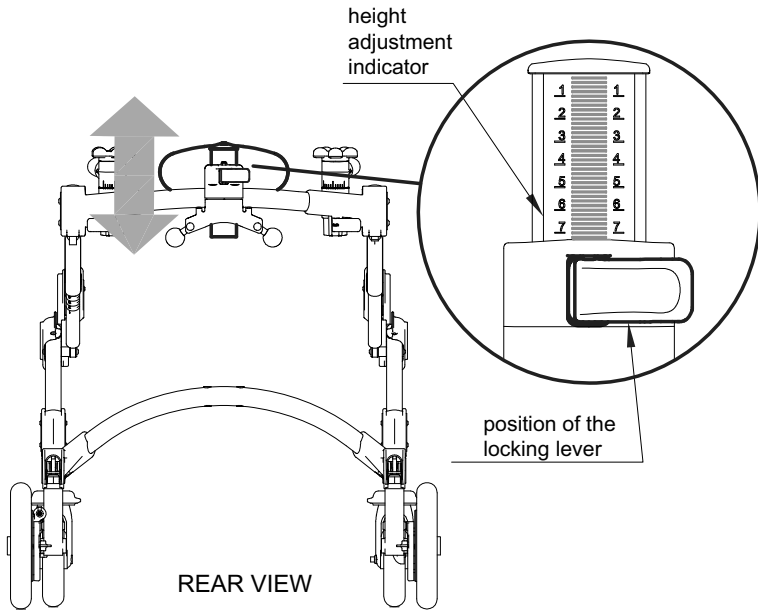
A ASSEMBLY



NOTE:
YOU CAN USE ALSO THE FOLDING
SEAT WITH THE POSTERIOR SUPPORT

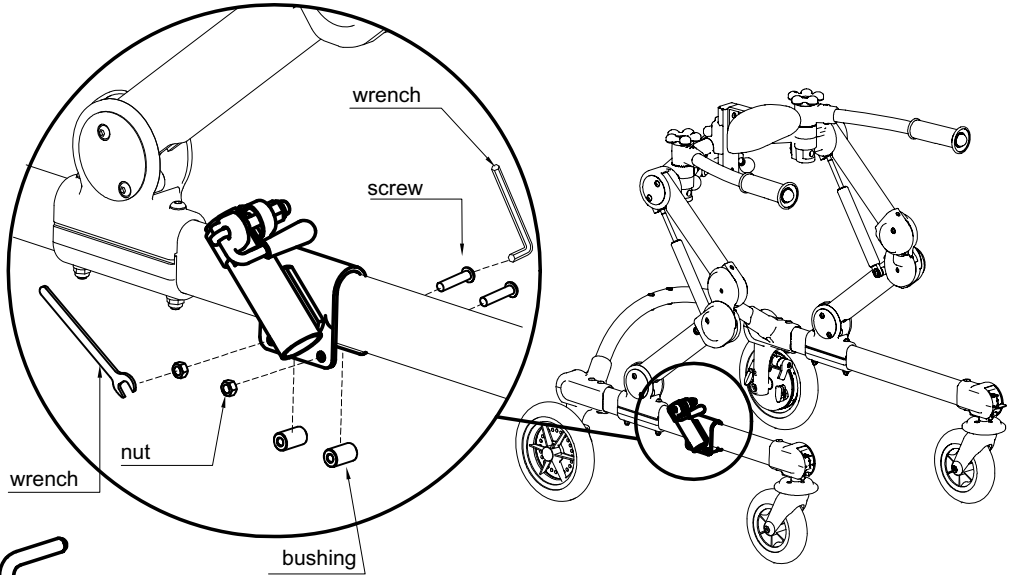


B HEIGHT ADJUSTMENT

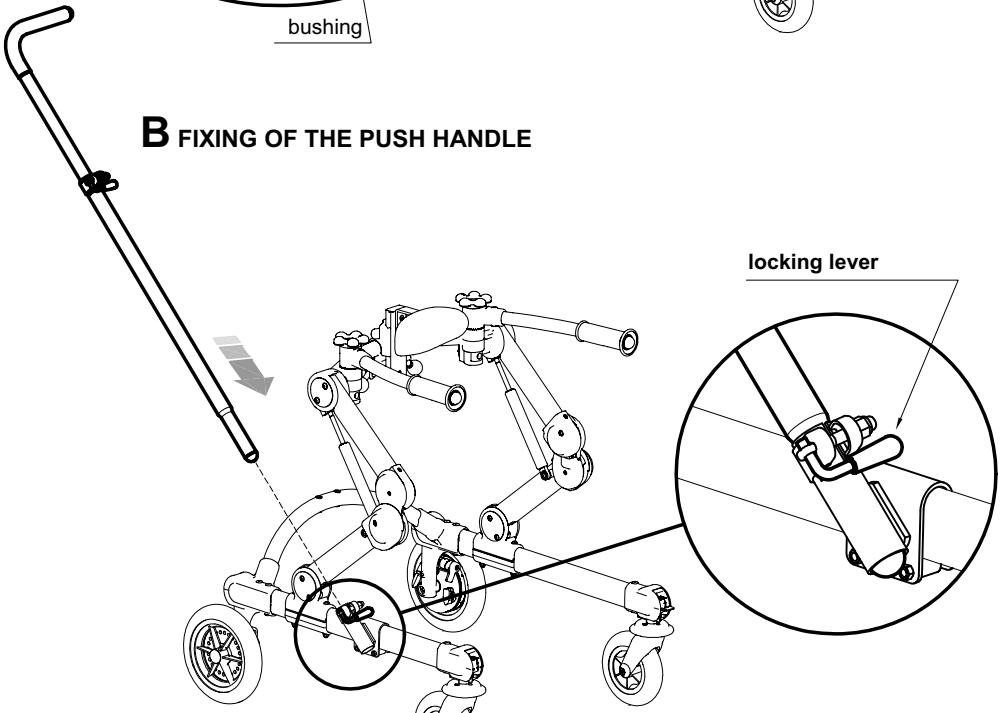


PUSH HANDLE FOR THE ASSISTANT

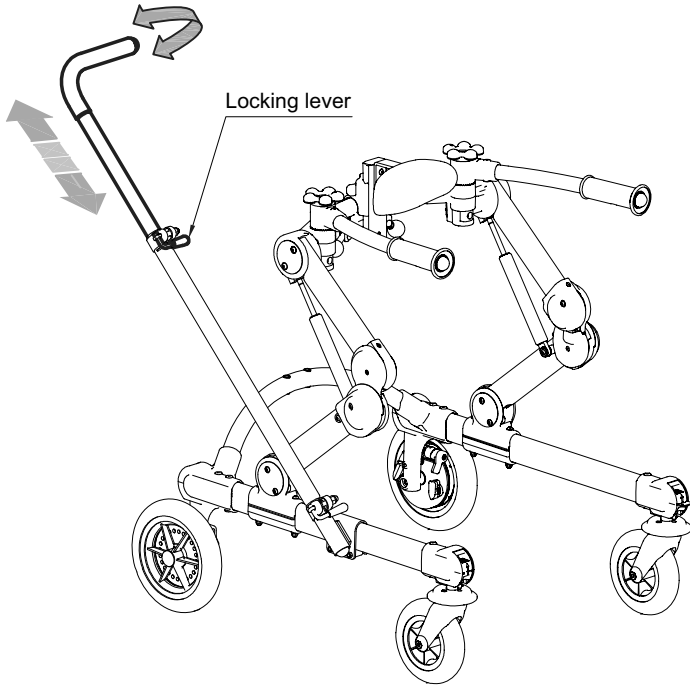
A ASSEMBLY OF THE HANDLE FORK



B FIXING OF THE PUSH HANDLE

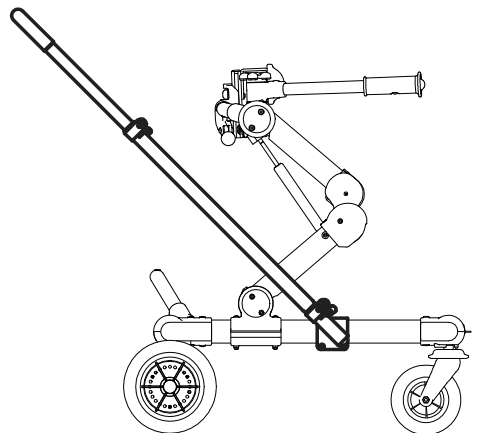
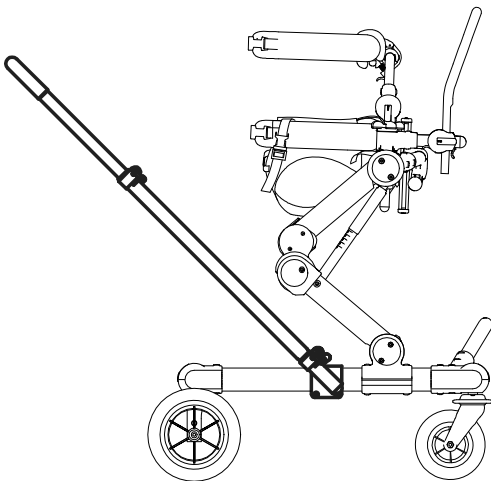


C HEIGHT AND ROTATION ADJUSTMENT



D POSITION ON THE FRONT DRIVE GRILLO

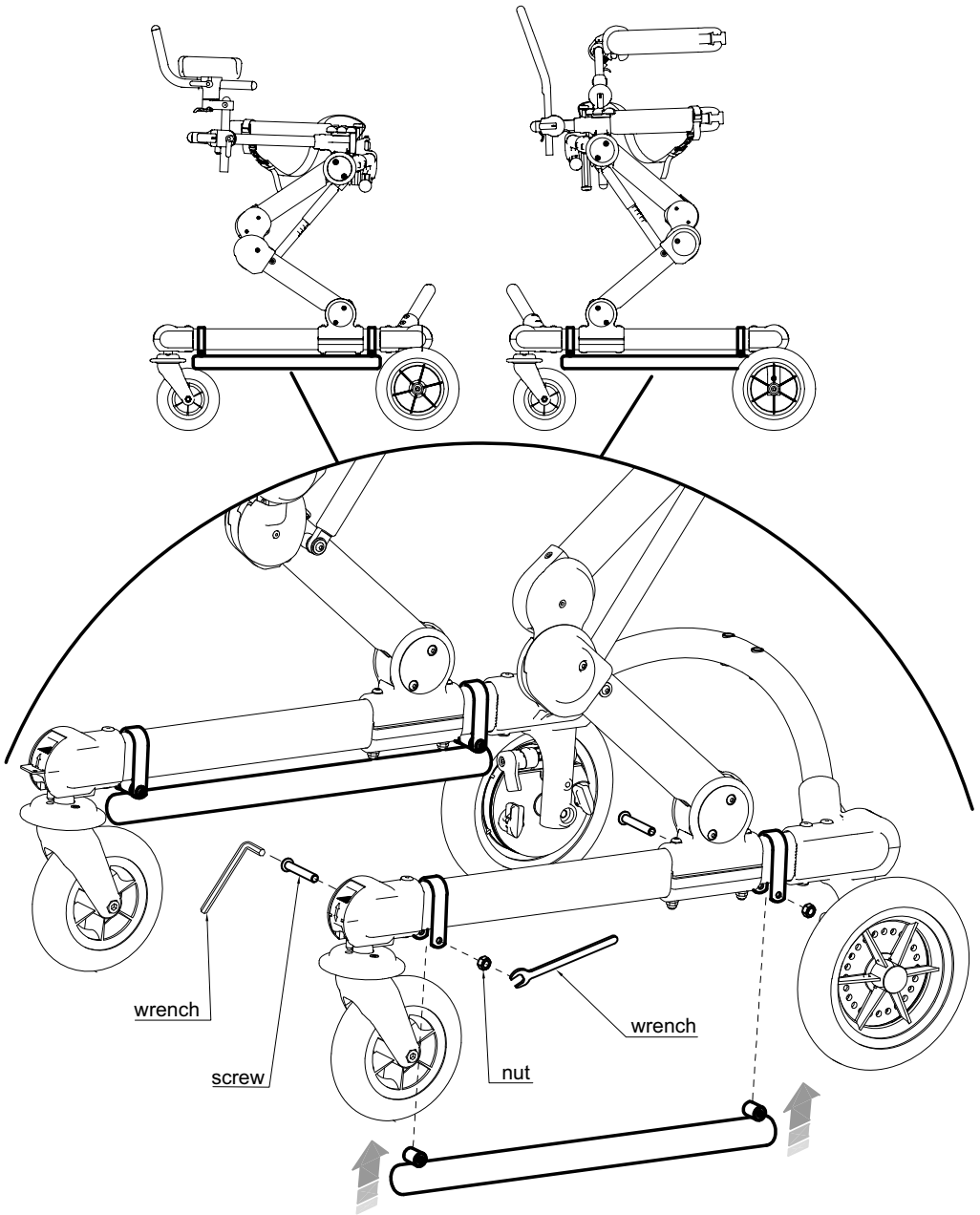
E POSITION ON THE POSTERIOR GRILLO



WEIGHT BARS

FIXED ON POSTERIOR GRILLO

FIXED ON FRONT-DRIVE GRILLO



MAINTENANCE, CLEANING AND DISINFECTION OF GRILLO

ORDINARY MAINTENANCE (or preventive)

THE ORDINARY MAINTENANCE OF THE AID HAS TO BE DONE AT LEAST EVERY MONTH. ALL THE PERIODIC WORKS OF MAINTENANCE ARE NECESSARY TO ASSURE THE RIGHT USE OF THE AID AND ITS SAFETY. IT IS ALSO THE MAIN REQUIREMENT TO KEEP THE CE MARKING.

ONLY WHEN THESE INTERVENTIONS ARE COMPLETED IN THE TIME AND WAY HEREIN SPECIFIED, THE RESPONSIBILITY OF KEEPING THE MAIN REQUIREMENTS OF THE WALKING FRAME (ENCL. 1 EEA/93/42 STANDARD) IS UP TO THE MANUFACTURER. FURTHERMORE THE MANUFACTURER RECOMMENDS A COMPLETE REVISION/SERVICE ON THE FUNCTIONALITY/SAFETY OF THE AID BY THE SUPPLIER IN THE FOLLOWING PERIODS:






- 1) within 3 months from the purchase
- 2) within 6 months from the purchase
- 3) once in a year after the first year from purchase

CLEANING THE VARNISHED AND CHROMIUM-PLATED FRAME

Clean the varnished and chromium-plated parts of the aid with a soft cloth moistened with alcohol prior diluted in water.

CLEANING THE UPHOLSTERIES

- Clean the padded covers with a soft cloth dipped in water and neutral detergent and well squeezed
- Wash the harness respecting the following symbols:

				
Machine wash with neutral soap (Max. temperature 30°C) Do not spin dry	Do not bleach	Dry clean with perchloroethylene	Do not iron	Do not tumble dry

CLEANING THE WHEELS

Clean the wheels at least once a month keeping them free from waste (thread, hair etc...) which can stick to them



If you verify an **INEFFICIENCY**, even if just partial, of the **BRAKES**, **contact the Dealer who sold you the product immediately**. He will evaluate their possible reparation/change in order to avoid dangerous situations that could cause accidents.



Do **NOT** perform maintenance or replace parts or accessories when the user is in the device.



Intensify all checks in marine environments, clean more often, anoint the parts exposed to salt corrosion (such as chrome, bolts and screws).



Maintenance and replacement of parts or accessories must never be done while the aid is being used.

EXTRAORDINARY MAINTENANCE (or corrective)

EXTRAORDINARY MAINTENANCE MEANS ALL THOSE WORKS ON THE WALKING FRAME WHICH ARE DIFFERENT FROM THE ABOVE MENTIONED ONES.

WE ASK THE USER, DEALER AND ALL PUBLIC HEALTH SERVICES TO LET THE MANUFACTURER OR OTHER OFFICIALLY AUTHORIZED COMPANIES INTERVENE WITH EXTRAORDINARY MAINTENANCE WORKS.

ANY OTHER DIFFERENT ACTION MEANS THAT THE USER AND THE THIRD MAINTENANCE SERVICE ASSUME THEIR RESPONSIBILITY FOR THEIR DONE WORKS ON THE AID. THE MANUFACTURER WILL BE ONLY RESPONSIBLE FOR ANY POSSIBLE ORIGINAL DEFECT OF THE PRODUCT THAT MAY BE DECLARED TO THE MANUFACTURER.



If the aid must be scrapped, dispose of the parts according to the legal requirements in force in your Country.

ASSISTANCE AND SPARE PARTS OF GRILLO

Should you need assistance or spare parts, contact the Dealer who sold you the product.

CONDITIONS FOR DURABILITY, REUSE AND REASSIGNMENT TO A NEW USER

Granted that Ormesa products should be selected, evaluated and ordered for the needs of an individual user, reuse is however possible with the respect the following conditions.

Based on the experience of other similar sold models, on technological progress, on the guarantees of the Quality Management System certificated in 1998 according to ISO 9001, there is adequate confidence that **the average lifespan of the GRILLO is about 5 years, on condition that it is used according to the directions given in the user manual.**

Only when the conditions for storage and transport of chapter HOW TO STORE AND TRANSPORT THE MEDICAL DEVICE” are followed, the periods in which the product is stored at the dealer should not be considered in that time period

Factors unrelated to the product such as the development of the user, its diseases, the use and the surrounding environment can make significantly lower the duration of life of the product; on the contrary, if the indications on the use and maintenance are properly observed, the reliability of the product can extend well beyond the lifetime average above.

Prior to recycling or reassignment an already used Ormesa product, it is required that:

1. **a doctor or therapist verifies that the aid is appropriate and adequate to meet the dimensional, functional and postural needs of the new user, and if all its components are suitable / appropriate for him. You should also consider that the CE marking and the manufacturer's responsibility for safety requirements for the product remain only if the original product still has not changed and only original accessories or spare parts have been applied.**

qualified technical personnel of a company specialized in the maintenance of technical aids for disabled people performs a detailed technical inspection to verify its condition and wear, the absence of any damage and failure of all components / adjustments, the presence of the user's manual, of the label with the date and serial number. A copy of the manual and maintenance may be always requested to the retailer that supplied the product or directly to Ormesa.

The product has been thoroughly cleaned and disinfected following the directions given in the “MAINTENANCE, CLEANING AND DISINFECTION” Chapter.

We recommend you keep written records on all inspections performed on the product before any assignment to the new user.



In case of doubt about the safety of the product or damage to parts or components, you are urged to immediately discontinue use and contact a specialized service center in the maintenance of mechanical aids for disable, or directly ORMESA.



Via A. Da Sangallo, 1 Paciana 06034 FOLIGNO PG ITALY

P.I. IT 00574020541 CCIAA Perugia 119215 Iscr. Trib. Perugia 11907 Tel. +39 0742 22927 (r.a.) Fax +39 0742 22637

[http:// www.ormesa.com](http://www.ormesa.com)

E-mail: info@ormesa.com



**COMPANY WITH
MANAGEMENT SYSTEM
CERTIFIED BY
= ISO 9001 =
= OHSAS 18001 =**



FDA REGISTERED - USA

Authorized Dealer

Medifab Ltd

32 Detroit Drive, Rolleston 7675, New Zealand

www.medifab.com solutions@medifab.com

NZ 0800 543 343 AU 1300 543 343

The technical Data and information given in this handbook are not binding. ORMESA reserves the right to carry out any necessary change without prior notice or replacements
