

Script Form

Wonderseat
for Experts

Wonderseat

by spex



Client Details

Client/User name:		Notes
Date:		
DOB:		

Notes

Further Information

Specifications

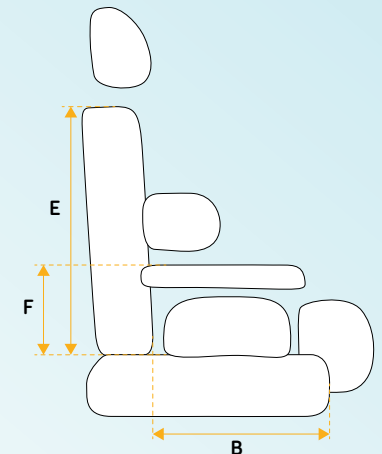
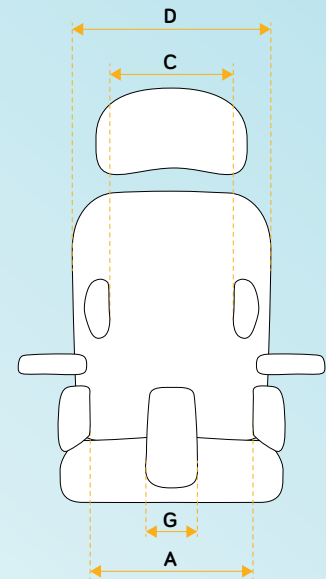
	Size 0	Size 1
Approximate user age	1-5yrs	4-11yrs
Max Load	47kg	47kg

	Bounce	Space	Bounce	Space
Product Weight	7.6kg	7.9kg	9.1kg	9.5kg
Tray Table Weight		1.7kg		1.7kg

	Measurement	Size 0		Size 1	
		Min	Max	Min	Max
A	Lateral Thigh Support Width	15cm	25cm	18cm	30cm
B	Seat Depth	15cm	28cm	23cm	38cm
C	Lateral Trunk Support Width	10cm	24cm	15cm	29cm
D	Back Support Width	20cm		25cm	
E	Back Support Height	25cm	38cm	30cm	43cm
F	Arm Support Height	12cm	19cm	11cm	19cm

Wonderseat Space					
G	Medial Thigh Support Width	4cm	13cm	4cm	13cm

Chair Compatibility	Size 0	Size 1
Tube Diameter	19mm - 30mm	19mm - 30mm
Frame Width	10" - 12"	12" - 14"
Frame Depth	11" - 14"	14" - 17"
Back Post Height	10" - 16"	11" - 18"
Seat Base Mounting Point Separation	3" - 7"	6" - 11"



Colour



Cushion

Wonderseat Constructa Cushion



Size 0, 10" x 12"
1102-1012-WSC
Size 1, 12" x 16"
1102-1216-WSC

Cushion Spare Cover

Back Support

Growth-Adjust



Size 0, 12" x 11-15"
1252-1211-OGA
Size 0, 12" x 14-18"
1252-1214-OGA
Size 1, 14" x 12-17"
1252-1412-OGA
Size 1, 14" x 16- 21"
1252-1416-OGA

Growth-Adjust Spex Classic (Adaptable Contour)



Straight T Shape

Size 0, 12" x 11-15"
1255-1211-OGA
Size 0, 12" x 14-18"
1255-1214-OGA
Size 1, 14" x 12-17"
1252-1412-OGA
Size 1, 14" x 16-21"
1255-1416-OGA

Seat Base

Quick Release Hardware



Size 0, 10" x 12"
1008-1012-QRB
Size 1, 12" x 16"
1008-1216-QRB

Fixed Seat Hardware



Size 0, 10" x 12"
1008-1012-FXB
Size 1, 12" x 16"
1008-1216-FXB

Back Support Hardware



Drop Mount Hardware - Paediatric
1259-1400-00P



Single Mount Hardware
1259-2100-100



Quad Mount Hardware
1259-2400-100

Head Support Pad



Circle 150
1275-0011-000



Comfort 250
1275-0031-000



Contour 250
1275-0021-000



Paediatric Standard Lateral
1275-0041-000



Paediatric Extended Lateral
1275-0042-000

Head Support Hardware



Wonderseat Quick-Release*
1274-3232-100



Wonderseat Lite*
1274-0232-100

Lateral Trunk Support Hardware



Paediatric Axial Lateral
1266-2613-100-[L/R]

Pair



Paediatric Swing-Away Lateral
1266-2623-100-[L/R]

Pair

Lateral Trunk Support Pads

Teardrop



Size 0, 15 x 10.5cm
1266-305[1/2]-400

Broad



Size 1, 10.5 x 13 cm
1266-3031-400
Size 2, 12.5 x 14 cm
1266-3032-400

Narrow Straight



Size 0, 8.5 x 11.5cm
1266-3010-400
Size 1, 9.5 x 14.5cm
1266-3011-400
Size 2, 9.5 x 18cm
1266-3012-400

Narrow Curved



Size 1, 9.5 x 14.5cm
1266-3021-400
Size 2, 9.5 x 18cm
1266-3022-400

Arm Support Pads

Wonderseat Arm Support Pad*



Size 0, 9 x 20cm
1156-6410-310
Size 1, 9 x 25cm
1156-6411-310

Wonderseat Arm & Elbow Support Pad*



Size 0, 9 x 20cm
1156-6420-310
Size 1, 9 x 25cm
1156-6421-310

Arm & Thigh Support Hardware



Wonderseat Side-Release*
1156-0403-130-[L/R]



Wonderseat Complete-Release*
1156-0403-110-[L/R]

Lateral Thigh Support Pads



Wonderseat Thigh Support Pad, 5" deep,
11.5 x 8.5cm*
1156-1105-400



Wonderseat Snug Thigh Support Pad, 8" deep,
19 x 8.5cm*
1156-1208-400-[L/R]



Wonderseat Thigh Support Pad, 8" deep,
19 x 8.5cm*
1156-1108-400



10" Thigh Support Pad,
26.5 x 9cm
1156-1010-400

Medial Thigh Support



Wonderseat Adjustable Medial Thigh Support,
Pad height 7cm*
1162-1401-000



Medial Thigh/Knee Block with Axial-Adjust Pad,
Size 1, Pad height 9.5cm
1162-1601-000

Tray Table



Wonderseat Tray Table,
52cm x 42cm*
1311-7410-013



Wonderseat Tray Table Padding*
1311-7410-013-C

Anterior Pelvic Support



Spex 2 Point Padded Hip Belt, Pad width 30cm
1405-6220-027



Wonderseat 4-Point Padded Hip Belt, Pad width 24cm
1406-5420-027

Anterior Trunk Support

Wonderseat Padded Centrepoint Shoulder Harness*



Size 0, Pad height 22cm
1409-5660-017
Size 1, Pad height 28cm
1409-5661-017

Bit-Box



Bit-Box*
Space Bounce Zoomy

*These products are designed to work as part of a complete Wonderseat Seating System, and are not compatible with other components of the Spex Seating range