
HOGGI[®]



SHARKY Spare parts catalogue

en

Index

1	Model identification and basic configuration	
1.1	Model identification _____	3
1.2	Basic configuration _____	3
2	Overview	
2.1	Component group overview _____	4
3	Spare parts	
3.1	Base frame _____	5
3.2	Support frame _____	6-7
3.3	Folding strut _____	8
3.4	Scantling unit _____	9
3.5	Seat base _____	10
3.6	PU-hip support pads _____	11
3.7	Seat surface _____	12
3.8	Back rest _____	13
3.9	Foot board _____	14
3.10	Foot board frame _____	15
3.11	Push handle unit _____	16
3.12	Headrest _____	17
3.13	Armrests _____	18
3.14	Abduction block _____	19
3.15	Toilet bucket _____	20
3.16	Lateral PU-pads _____	21
3.17	Therapy table _____	22
3.18	Bath subframe _____	23
3.19	Toilet adapter _____	24

1 Model identification

1.1 Basic configuration

The label is attached on the cross tube of the back base or on the right inner side of the base frame.



1.2 Basic configuration

Base:

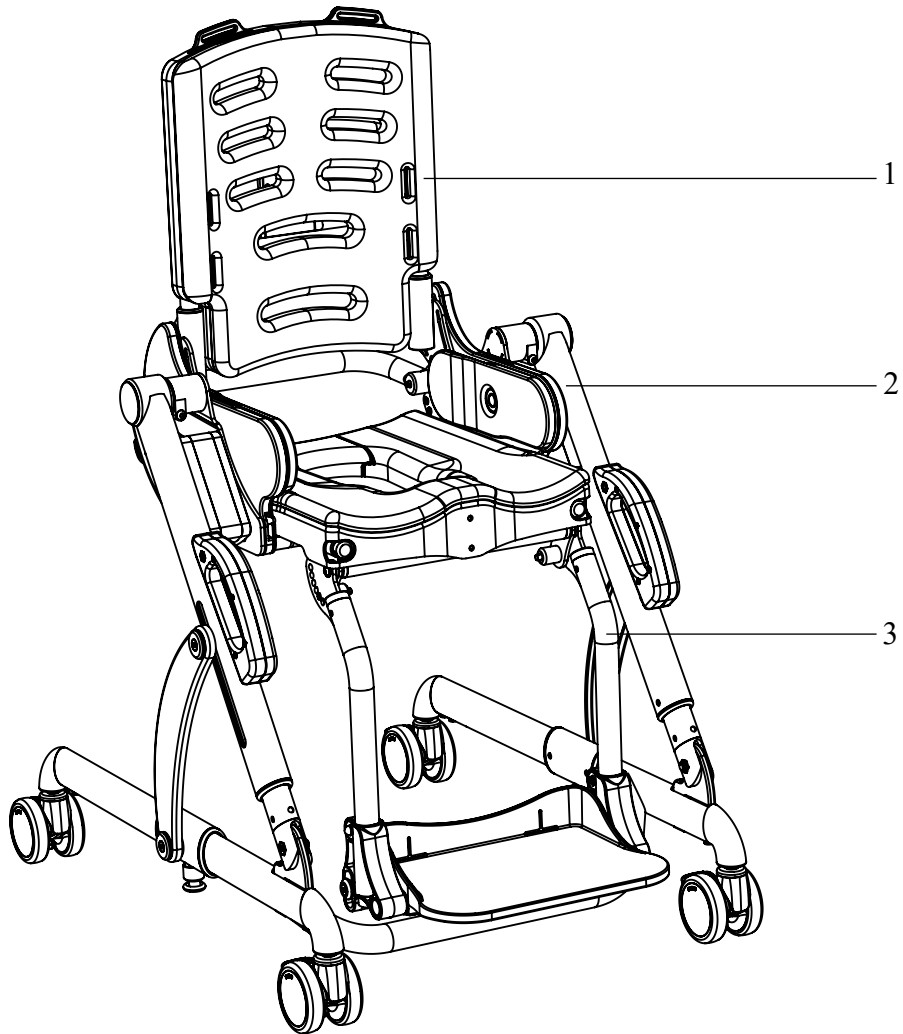
- compactly foldable
- height adjustable, traversable toilet height 43-52 cm
- tilt (seat angle) -10° up to 45°

Seat unit:

- removable from the base (quick release)
- PU pads on the back, seat and hip supports
- closable hygiene opening
- back angle adjustable, foldable and removable
- seat width 24, 27, 30 cm
- seat depth 27-36 cm
- back height 42 cm
- back angle 72°-120°
- maximum load: 60 kg

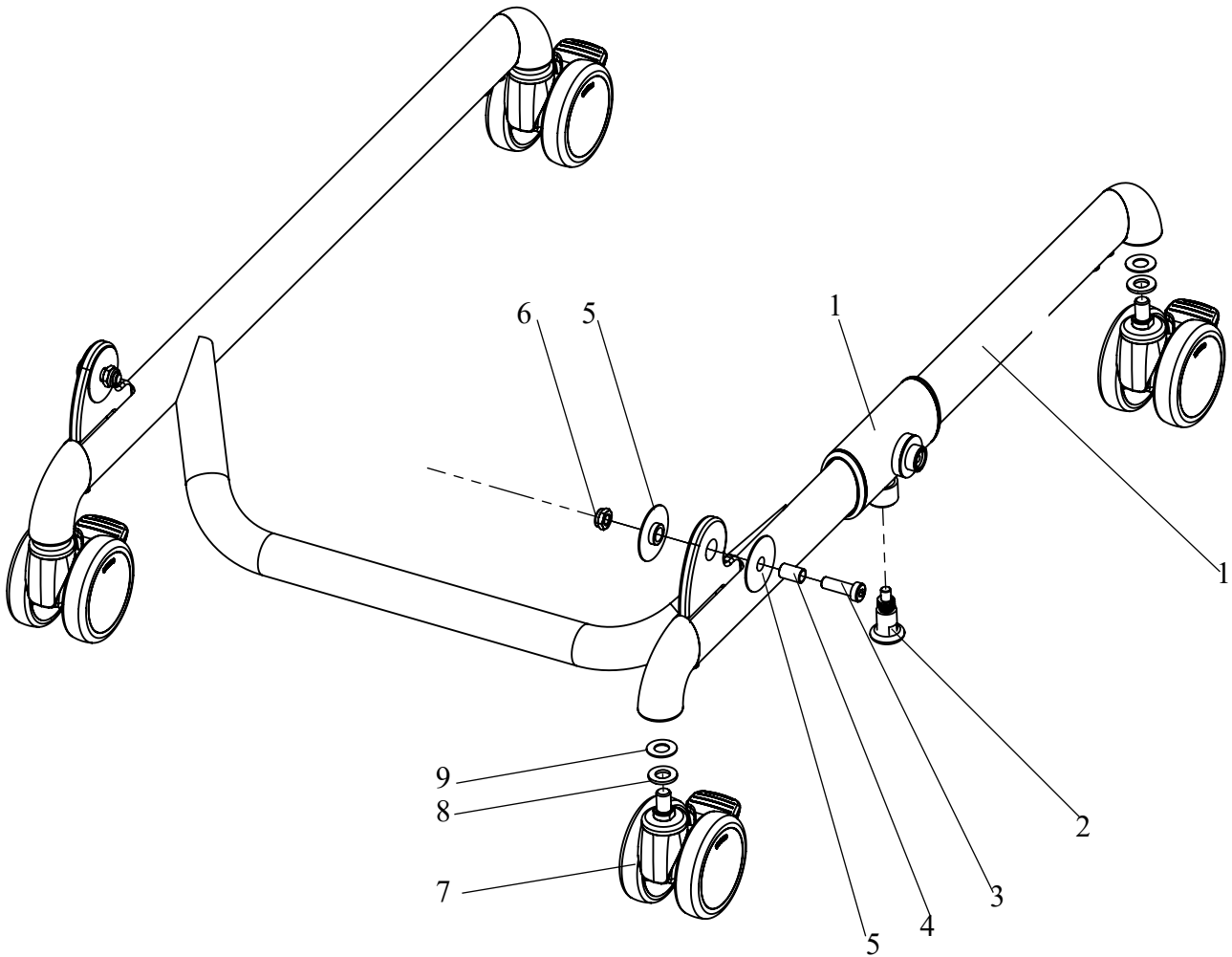
- size 1 (size 2 in progress)

2 Component group overview



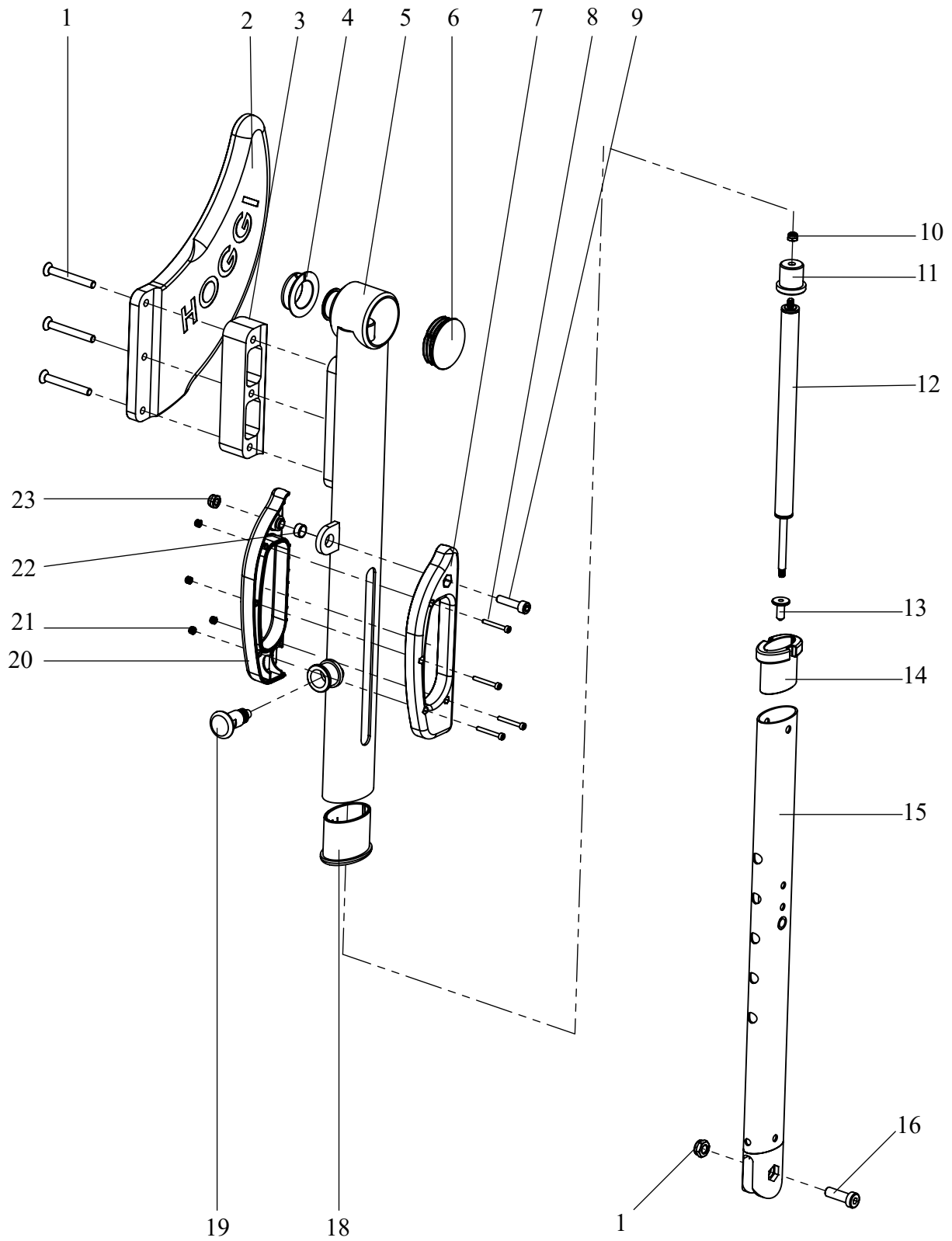
Pos.	Article number	Article description	Page
1	3401-2XXX	SHARKY shower and toilet seat unit	10
2	3401-1XXX	Base frame	5
3	3401-24XX	Footrest system	14
4	3401-XXXX	Accessories (without picture)	16

Spare parts



Pos.	Article number	Article description	Quantity
1	3401-1110E-022	Base frame with gliders	1 Pc.
2	1127-1120	Locking pin M12 (stainless steel)	2 Pc.
3	1022-0825-0A4	Hexagon socket head cap screw A4 DIN/ISO 7984 M8x25	2 Pc.
4	3401-1252	Bearing axle support frame	2 Pc.
5	3401-1251	Bearing bushing support frame	4 Pc.
6	1042-0008-0A4	Hexagon nut self-locking A4 DIN/ISO 985 M8	2 Pc.
7	1241-0003	VR-twin wheel castor, d=75 mm, white with wheel lock, threaded	4 Pc.
	1241-0004	VR-twin wheel castor 100mm TPR	4 Pc.
8	1051-0010-0A4	Washer A-140HV A4 DIN/ISO 125 D10,5	4 Pc.
9	1052-0010-0A2	Spring washer B6 zp DIN/ISO 4310 B10	4 Pc.

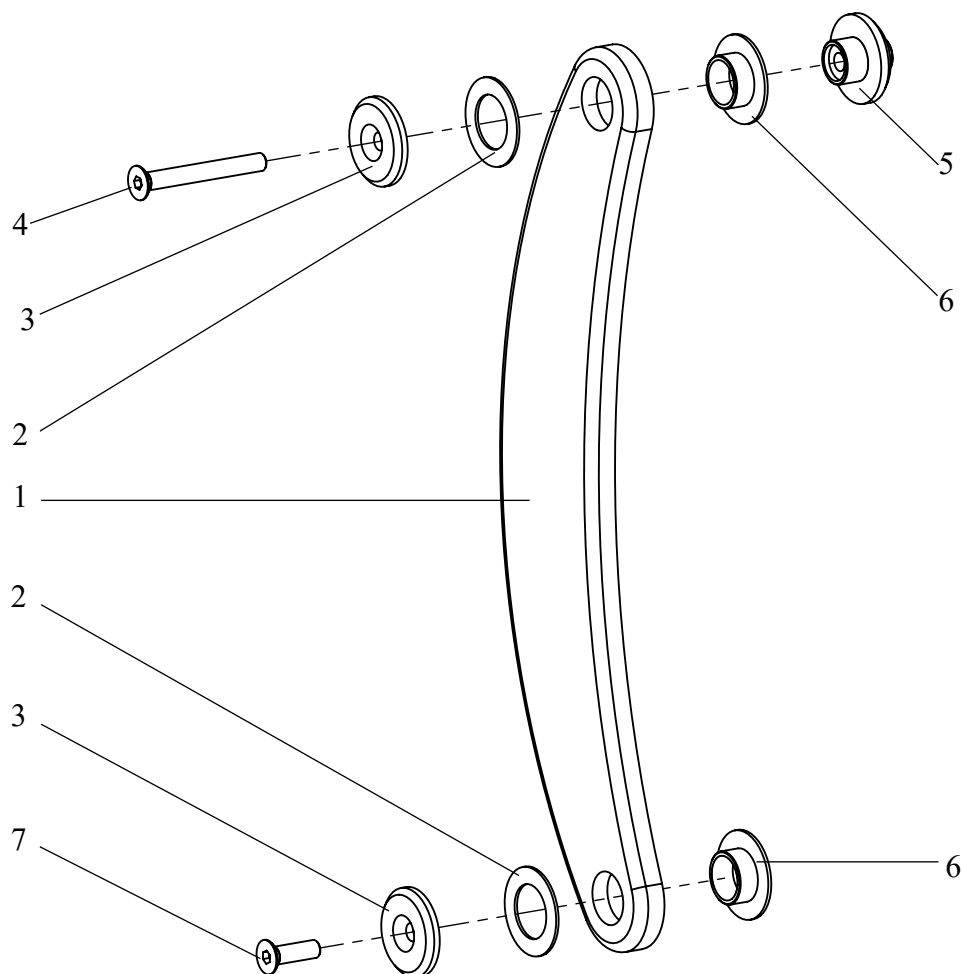
Spare parts



Spare parts

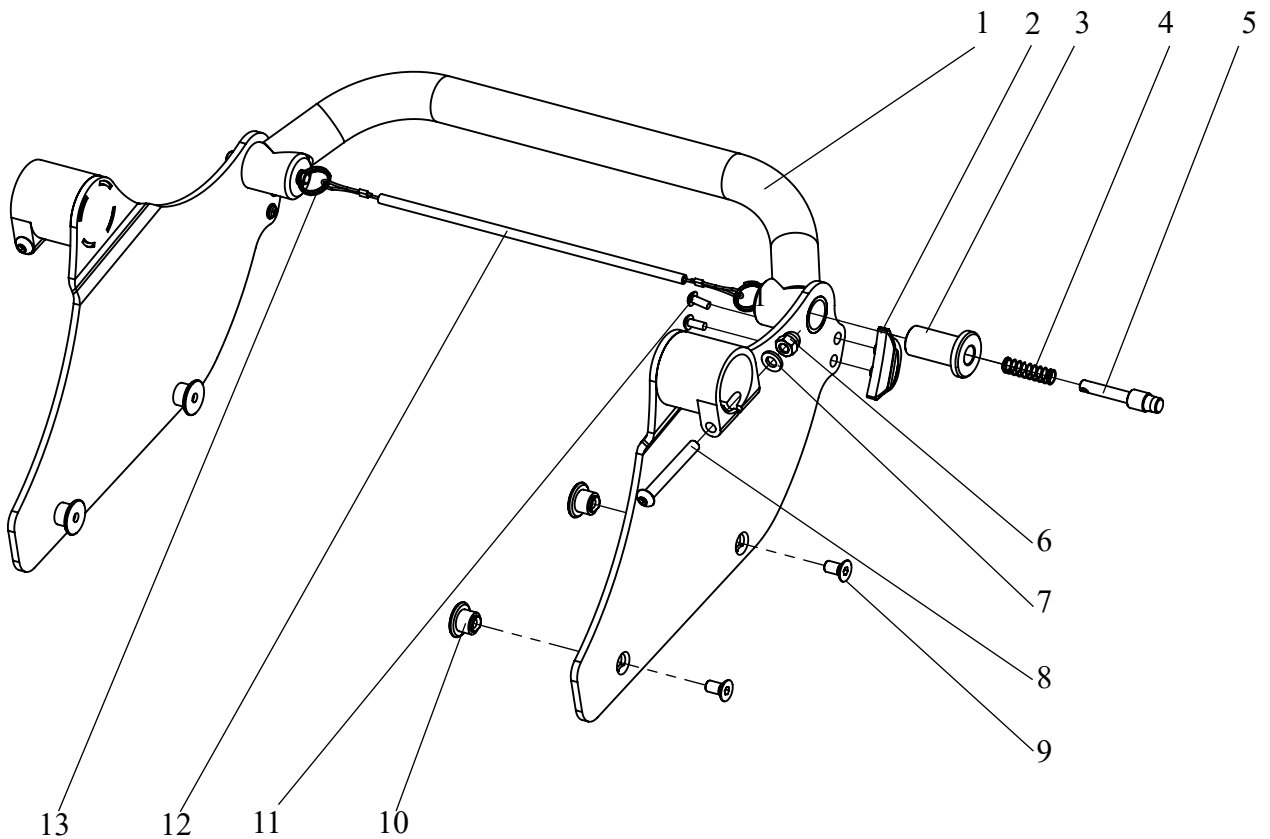
Pos.	Article number	Article description	Quantity
1	1024-0650-0A2	Hexagon socket countersunk head screw A2 DIN/ISO 10642	6 Pc.
2	3401-1241-019	Scantling fin left, RAL 5015 sky blue	1 Pc.
	3401-1242-019	Scantling fin right, RAL 5015 sky blue	1 Pc.
3	3401-1243	Spacer	2 Pc.
4	3401-1247	Slide ring scantling bearing	2 Pc.
5	3401-1230-022	Telescope tube left, RAL 9003 Signal white	1 Pc.
	3401-1240-022	Telescope tube right, RAL 9003 Signal white	1 Pc.
6	1141-0033-022	Ribbed insert SFL 45x0,8-2,5 signal white RAL 9003	2 Pc.
7-9;20-23	3401-1260E	Engaging lever SHARKY	2 Pc.
7	3401-1261	Engaging lever half left	2 Pc.
8	1021-0325-0A4	Hexagon socket head cap screw A4 DIN/ISO 4762 M3x25	8 Pc.
9	1021-0625-0A4	Hexagon socket head cap screw A4 DIN/ISO 4762 M3x25	2 Pc.
10	1042-0005-0A4	Hexagon nut self-locking A4 DIN/ISO 985 M5	2 Pc.
11	3401-1274	upper spring bearing	2 Pc.
12	1136-0006	Gas strut	2 Pc.
13	3401-1273	Guide piston rod	2 Pc.
14	3401-1219	Guide insert Oval tube	2 Pc.
15	3401-1210-022	Supporting strut left, RAL 9003 Signal white	1 Pc.
	3401-1220-022	Supporting strut right, RAL 9003 Signal white	1 Pc.
16	1022-0825-0A4	Hexagon socket head cap screw A4 DIN/ISO 7984 M8x25	
17	1042-0008-0A4	Hexagon nut self-locking A4 DIN/ISO 985 M8	
18	3401-1245	Bushing guide Oval tube	2 Pc.
19	1127-1120	Locking pin M12 (stainless steel)	2 Pc.
20	3401-1262	Engaging lever half right	2 Pc.
21	1042-0003-0A4	Hexagon nut self-locking A4 DIN/ISO 10511 M3	8 Pc.
22	3401-1263	Bearing bushing engaging lever	2 Pc.
23	1042-0006-0A4	Hexagon nut self-locking A4 DIN/ISO 985 M6	2 Pc.

Spare parts



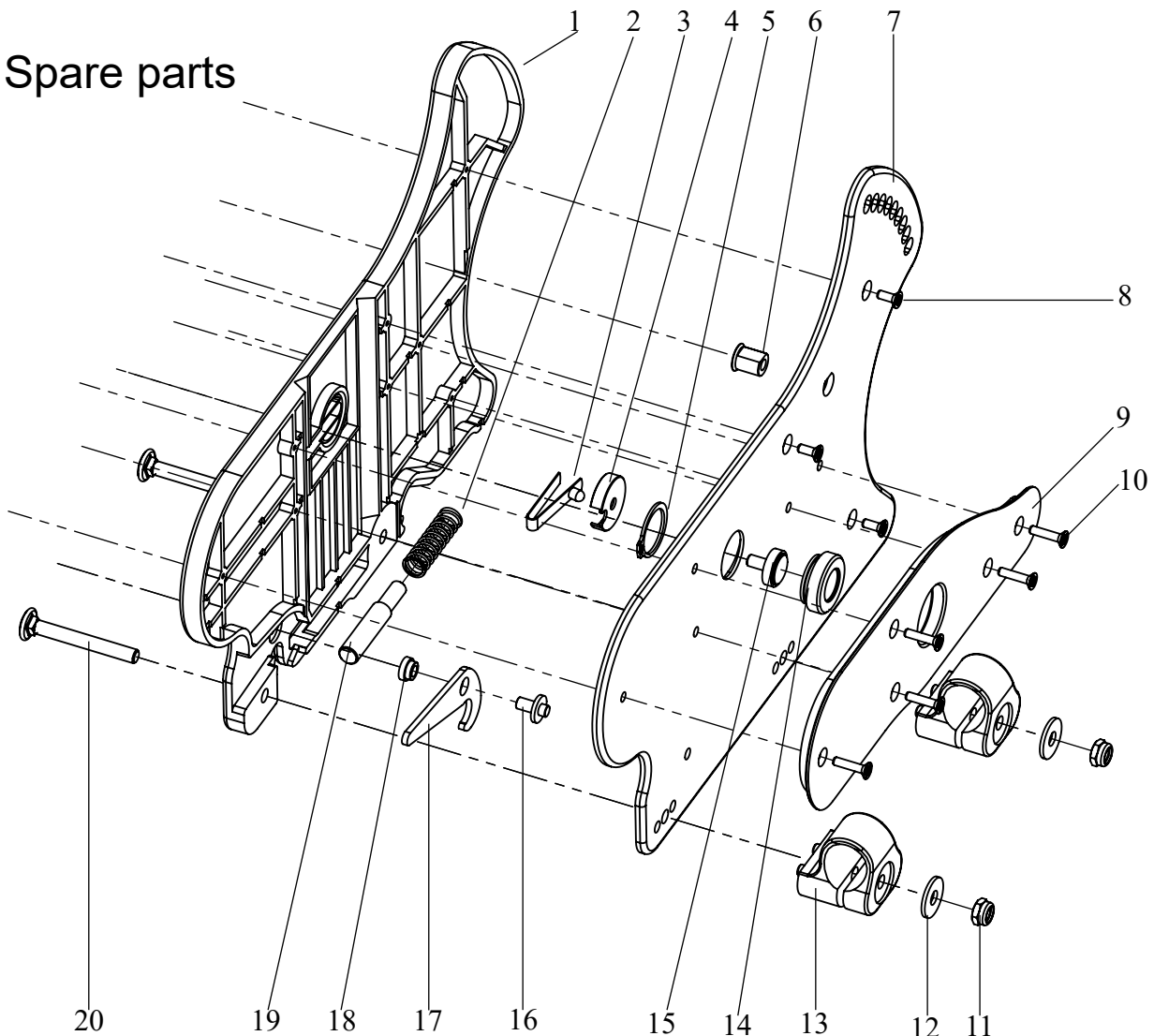
Pos.	Article number	Article description	Quantity
1-7	3401-1140E-022	Folding strut complete	2 Pc.
1	3401-1141-022	Folding strut, RAL 9003 Signal white	1 Pc.
2	1113-0066	Washer plastic 18,5x30x1 mm	2 Pc.
3	3401-1131	Guide disk support lever	2 Pc.
4	1024-0650-0A4	Hexagon socket countersunk head screw A4 DIN/ISO 10642 M6x5	1 Pc.
5	3401-1133	Bearing bushing top support lever	1 Pc.
6	3401-1132	Bearing bushing support lever	2 Pc.
7	1024-0620-0A4	Hexagon socket countersunk head screw A4 DIN/ISO 10642 M6x2	1 Pc.

Spare parts



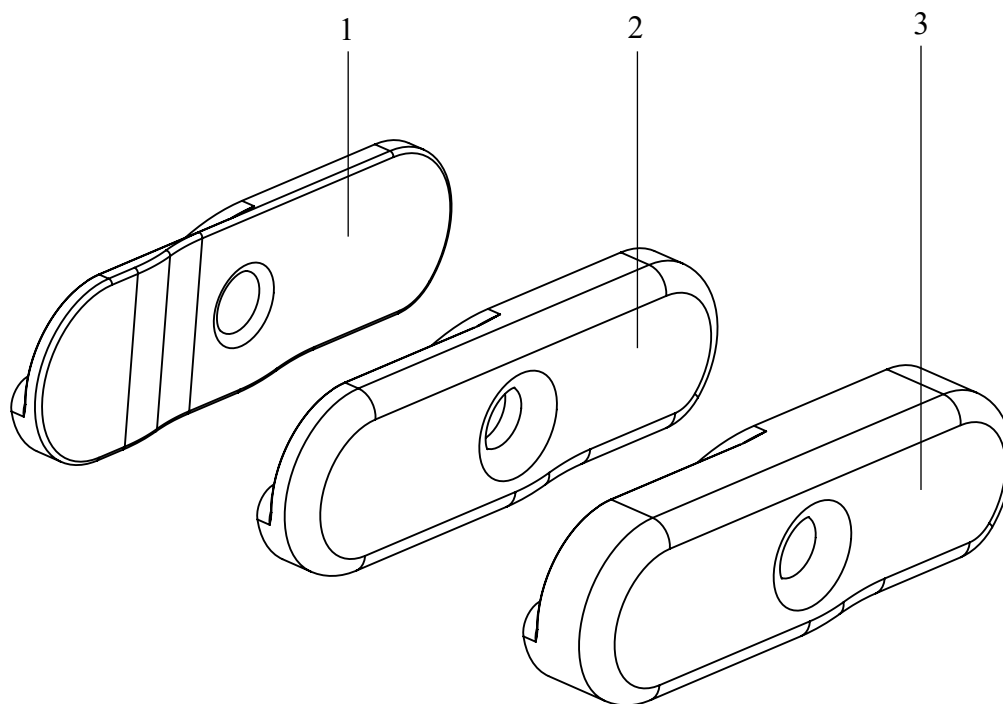
Pos.	Article number	Article description	Quantity
1-13	3401-1300E-022	Scantling unit SHARKY size 1 complete	1 Pc.
1	3401-1310-022	Scantling unit SHARKY size 1, RAL 9003 Signal white	1 Pc.
2	3401-1323	Scantling guide	2 Pc.
3	3401-1321	Bolt socket $\varnothing 10$	2 Pc.
4	1131-0077	Compression VD-127D 0,80x7,5x29,00x8,50	2 Pc.
5	3240-2422	Locking bolt	2 Pc.
6	1044-0006-0A2	Hexagonal domed cap nut self-locking A2 DIN/ISO 986 M6	2 Pc.
7	1051-0006-0A2	Washer B-140HV A2 DIN/ISO 125 D6,4	2 Pc.
8	1029-0650-0A4	Button head socket screw A4 DIN/ISO 7380 M6x50	2 Pc.
9	1024-0612-0A4	Hexagon socket countersunk head screw A4 DIN/ISO 10642	4 Pc.
10	3401-1322	Locking shaft	4 Pc.
11	1027-3909-0A2	Cross recessed pan head tapping screw DIN/ISO 7981	4 Pc.
12	3401-1319	Locking bolt cable seat angle Gr. 1	1 Pc.
13	1129-0036-0A2	Key ring 16x1,6	2 Pc.

Spare parts



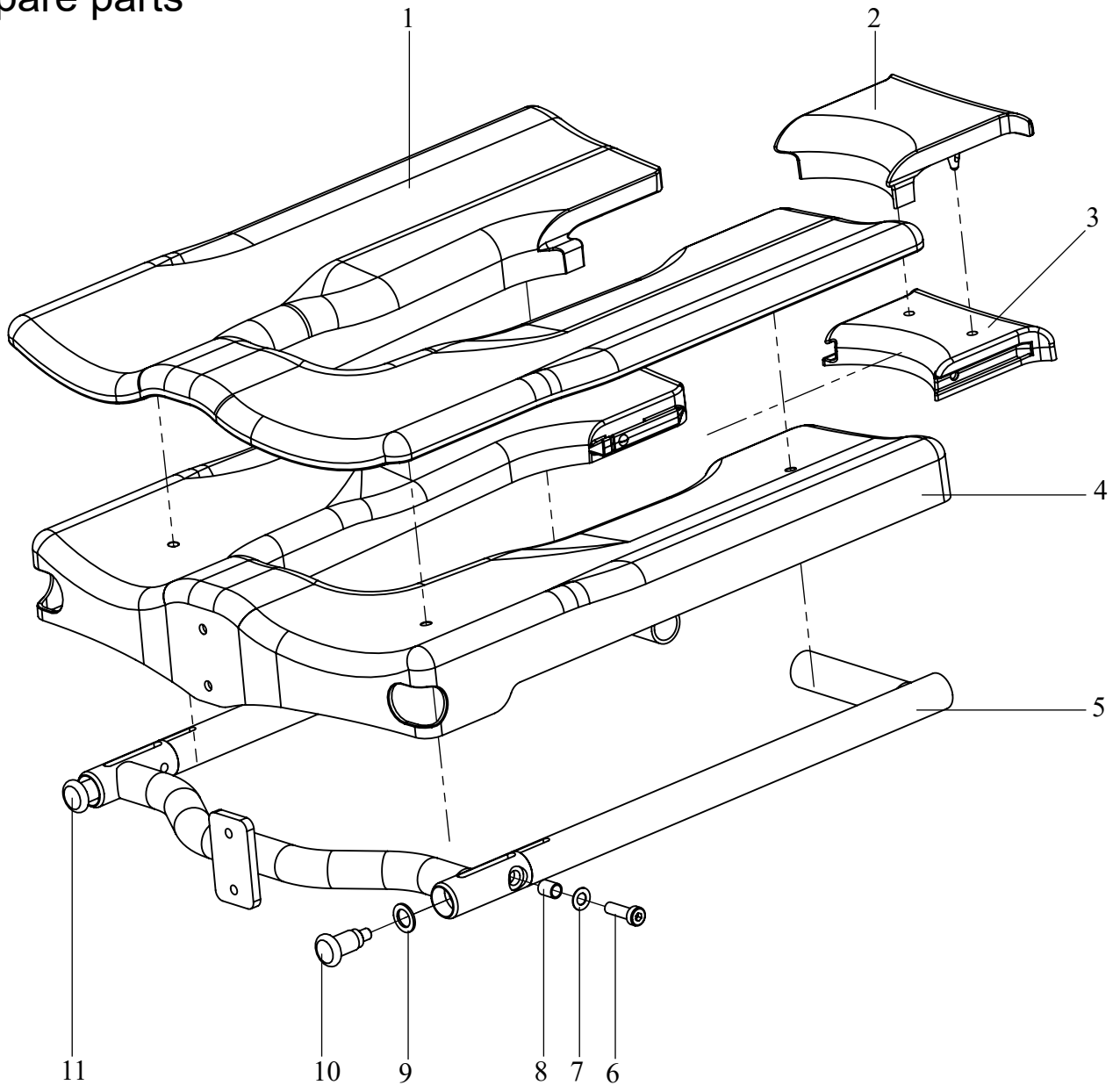
Pos.	Article number	Article description	Quantity
1-20	3401-2100E-022	Seat base Sharky size 1 complete	1 Pc.
1	3401-2132	Adapter plate right	1 Pc.
	3401-2131	Adapter plate left	1 Pc.
2	1131-0070	Compression D-162 1,0x9,0x36x9,5	2 Pc.
3	1134-0005-0A2	Snap button A 102, A2	2 Pc.
4	3401-2137	Snap button guide	2 Pc.
5	1080-0021-0A0	Retaining ring for shaft DIN/ISO 471 13x1	2 Pc.
6	3221-3516	Threaded sleeve M6 back base wv	2 Pc.
7	3401-2113-022	Seat bearing right, RAL 9003 Signal white	1 Pc.
	3401-2112-022	Seat bearing left, RAL 9003 Signal white	1 Pc.
8	1039-0017-0A2	Screw for plastic, cross recessed pan head w. flange A2 4	6 Pc.
9	3401-2158	lateral support retainer right	1 Pc.
	3401-2157	lateral support retainer left	1 Pc.
10	1039-0015-0A2	Screw for plastic, cross recessed pan head w. flange A2 4	10 Pc.
11	1045-0006-0A4	Hexagon nut self-locking A4 DIN/ISO 982 M6	4 Pc.
12	1055-0006-0A4	Washer A4 DIN/ISO 9021 A6,4	4 Pc.
13	3401-2122	Clamping seat bar	4 Pc.
14	3401-6123	Bushing guide	2 Pc.
15	3261-6234	Button	2 Pc.
16	3401-2135	Bearing shaft catch hook	2 Pc.
17	3401-2133-048	Catch hook, RAL 3024 luminous red	2 Pc.
18	3401-2136	Bearing bushing catch hook	2 Pc.
19	3401-2138	Guiding pin seat release	2 Pc.
20	1026-0650-0A4	Mushroom head square neck bolt A4 DIN/ISO 603 M6x5	4 Pc.

Spare parts



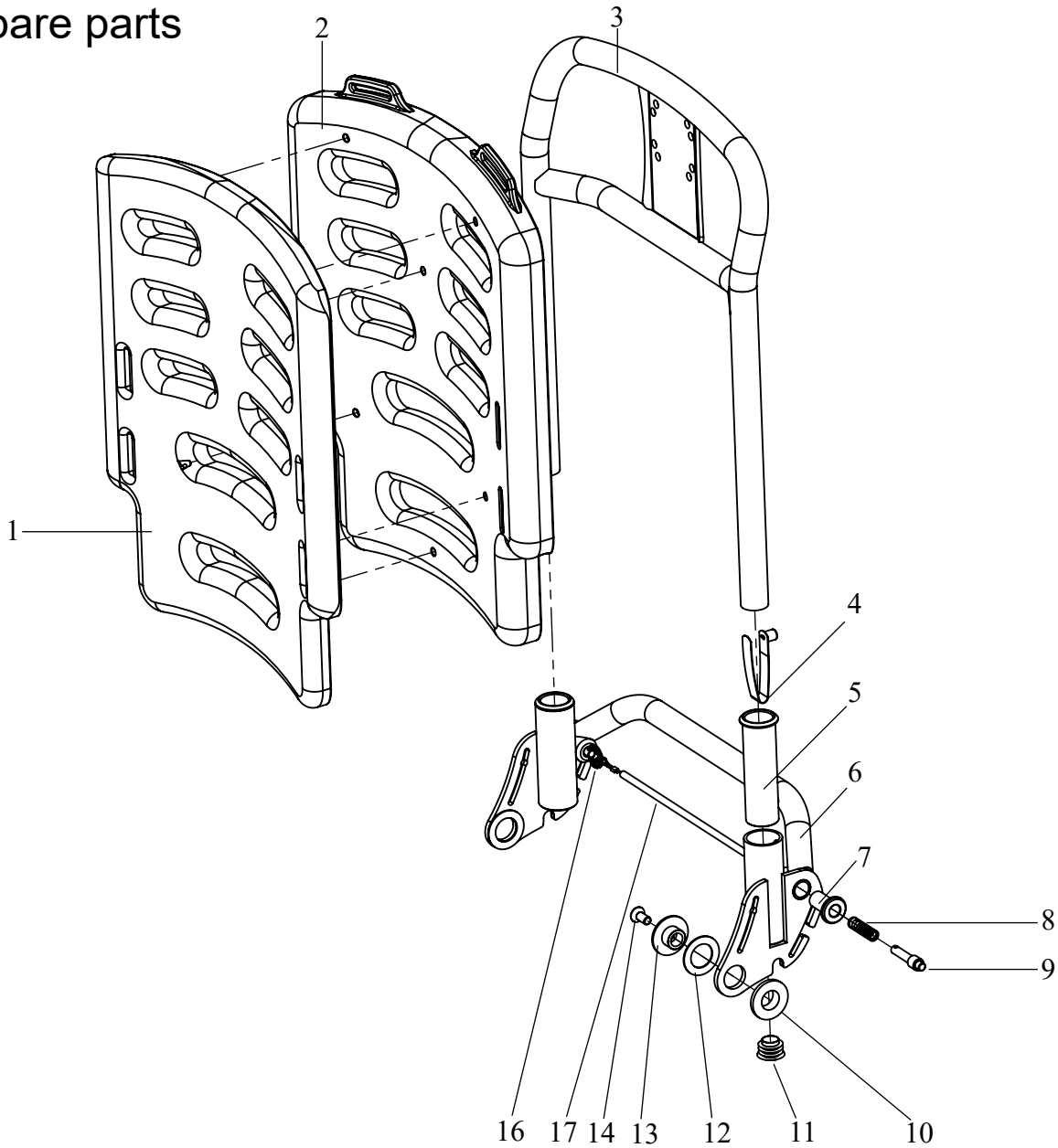
Pos.	Article number	Article description	Quantity
1	3401-2161E-019	PU-hip support pads for seat width 30 cm (retrofit)	1 Pair
2	3401-2162E-019	PU-hip support pads for seat width 27 cm (retrofit)	1 Pair
3	3401-2163E-019	PU-hip support pads for seat width 24 cm (retrofit)	1 Pair

Spare parts



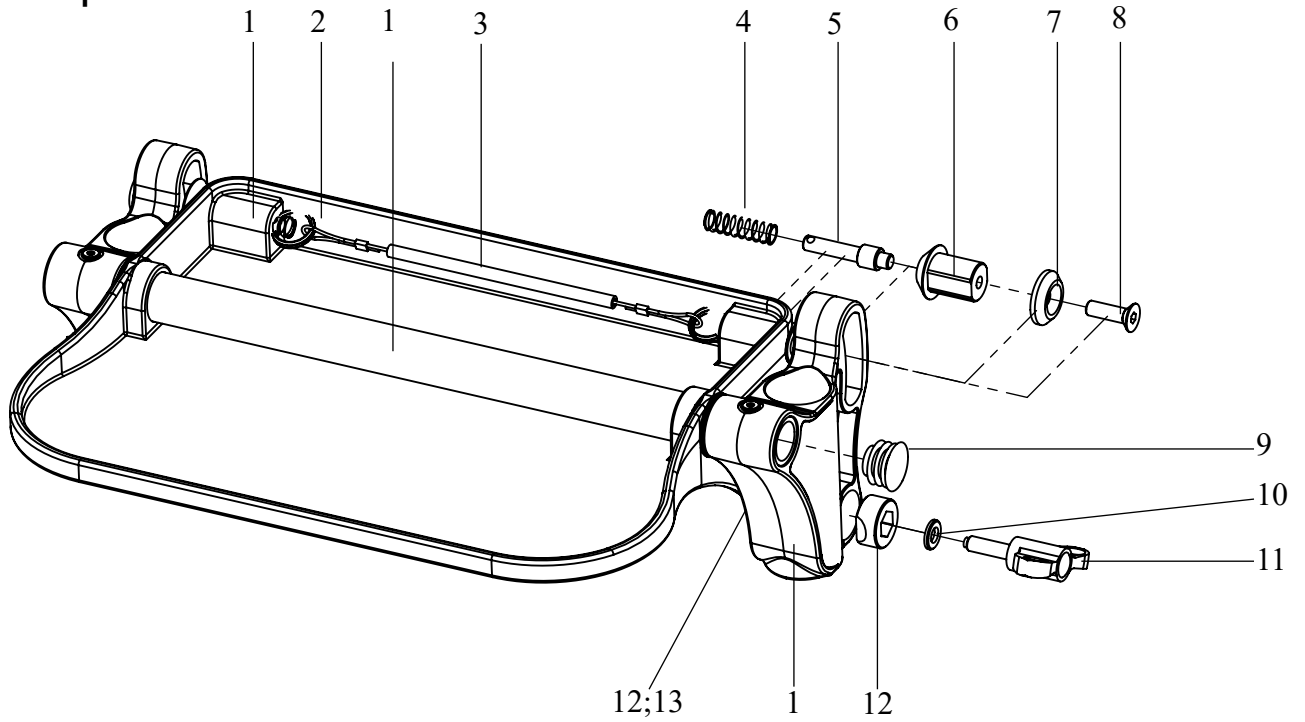
Pos.	Article number	Article description	Quantity
1-11	3401-2200E-022	Seat surface SHARKY size 1	1 Pc.
1	3401-2255	PU-seat pad with inserts size 1	1 Pc.
2	3401-2258	PU-cover for hygienic insert, size 1	1 Pc.
3	3401-2256	hygiene insert size 1	1 Pc.
4	3401-2251	SHARKY seat plate open size 1	1 Pc.
5	3401-2210-022	Seat frame size 1, RAL 9003 signal white	1 Pc.
6	1022-0620-0A2	Hexagon socket head cap screw DIN/ISO 7984 A2 M6x20	2 Pc.
7	1052-0006-0A2	Spring washer B6 zp DIN/ISO 4310 B6	2 Pc.
8	3401-2241	Locking shaft	2 Pc.
9	1059-0016-0A2	Shim ring A2 DIN/ISO 988 10x16x1,2	2 Pc.
10	1127-0010-0VA	Lock pin ZS-10x1-OA-VA	1 Pc.
11	1127-0014	Lock pin ZS-M10x1-KS with lock VA	1 Pc.

Spare parts



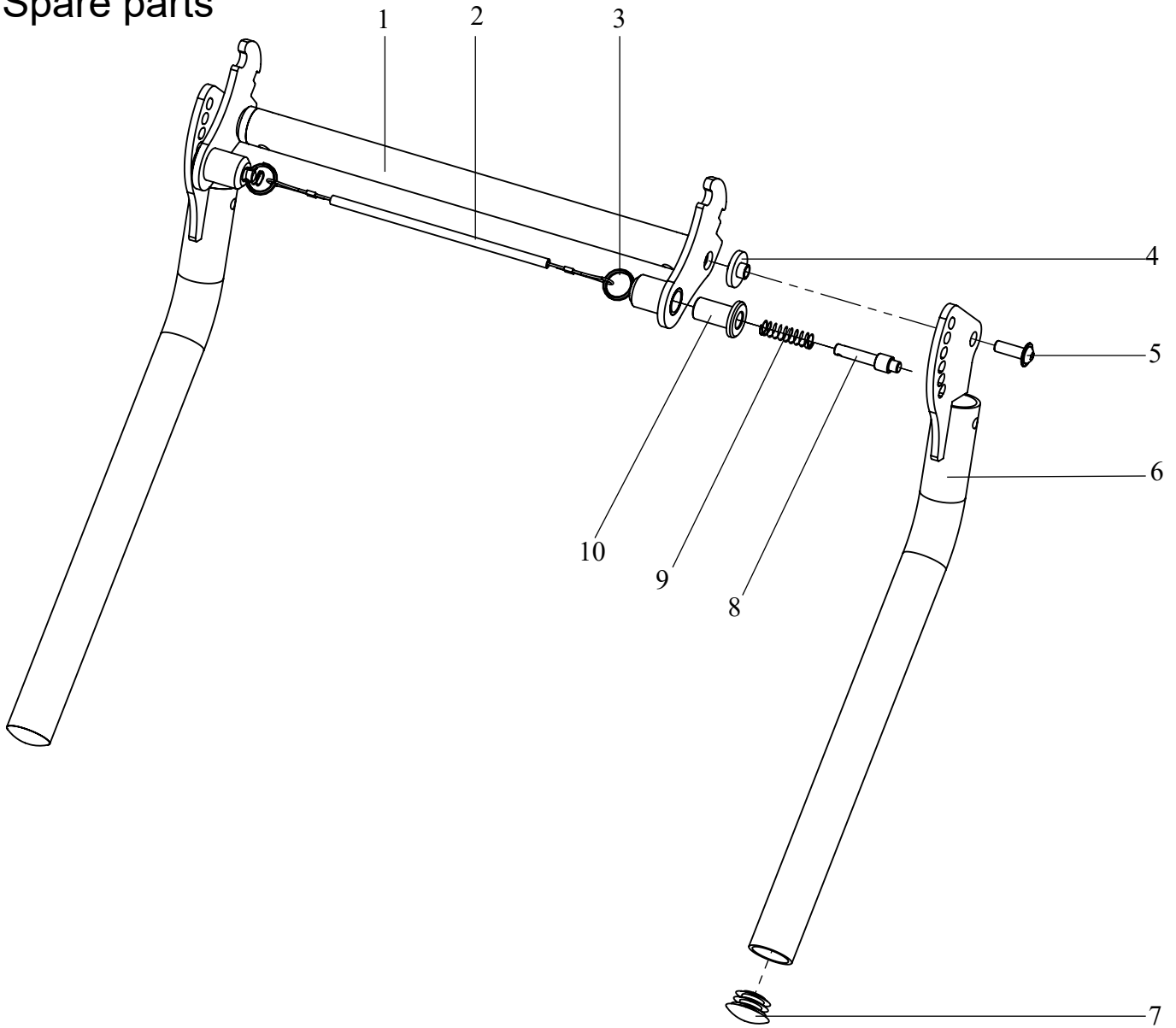
Pos.	Article number	Article description	Quantity
1-16	3401-2300E-022	Back rest SHARKY size 1 complete	
1	3401-2345	PU- back pad with inserts, size 1	1 Pc.
2	3401-2341	SHARKY back plate size 1	1 Pc.
3	3401-2320-022	Back bracket SHARKY size 1, RAL 9003 Signal white	1 Pc.
4	1134-0006-0A2	Snap button B 141 7,7x9,4, A2	2 Pc.
5	3401-2334	Guide bushing back frame	2 Pc.
6	3401-2310-022	Back base SHARKY size 1, RAL 9003 Signal white	1 Pc.
7	3401-2331	Bolt socket	2 Pc.
8	1131-0077	Compression VD-127D 0,80x7,5x29,00x8,50	2 Pc.
9	3201-7530	Lock pin	2 Pc.
10	3401-2332	Joint bushing back base SHARKY	2 Pc.
11	1141-0008-022	ribbed insert SFL 20x0,8-2,5 RAL 9003	2 Pc.
12	1113-0066	Washer plastik 18,5x30x1 mm	2 Pc.
13	3401-2333-006	Axle back base anodized	2 Pc.
14	1024-0614-0A4	Hexagon socket countersunk head screw A4 DIN/ISO 1	2 Pc.
15	3401-2319	Locking bolt cable back angle size 1	1 Pc.
16	1129-0036-0A2	key ring 16x1,6	2 Pc.

Spare parts

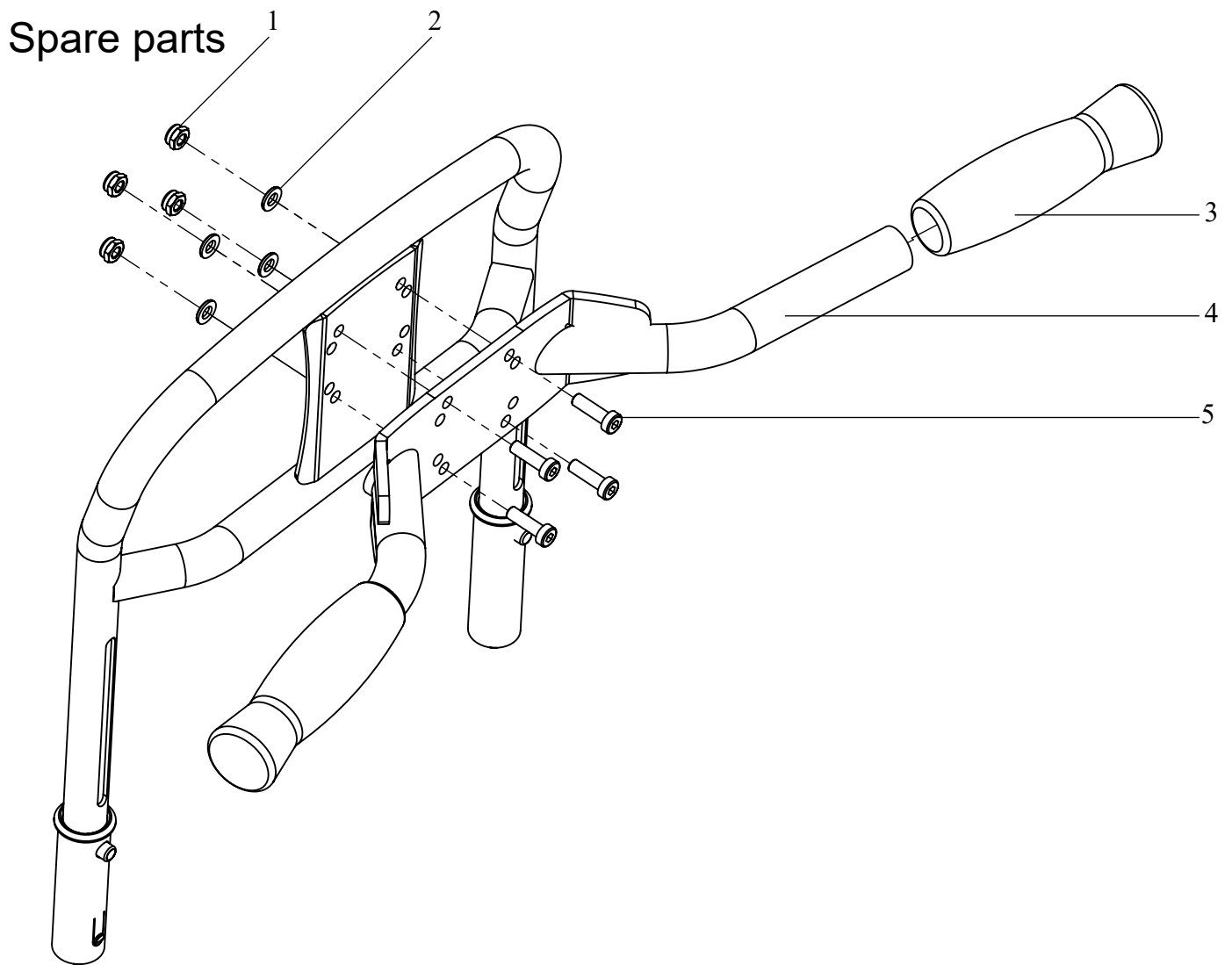


Pos.	Article number	Article description	Quantity
1-13	3401-2450E-022	Foat board size 1 complete	1 Pc.
1	3401-2455E-022	Foat board size 1 with cross strut and foot board bearing	1 Pc.
2	1129-0036-0A2	Key ring 16x1,6	2 Pc.
3	3401-2459	Locking bolt cable foot board size 1	1 Pc.
4	1131-0077	Compression VD-127D 0,80x7,5x29,00x8,50	2 Pc.
5	3201-7530	Lock pin	2 Pc.
6	3401-2453	Locking pin	2 Pc.
7	3401-2454	Pressure disk	2 Pc.
8	1024-0620-0A4	Hexagon socket countersunk head screw A4 DIN/ISO 10642 M6:	2 Pc.
9	1141-0008-022	Ribbed insert SFL 20x0,8-2,5 RAL 9003	2 Pc.
10	1051-0006-0A2	Washer B-140HV A2 DIN/ISO 125 D6,4	2 Pc.
11	1123-0620	Wing screw thermoplastic white M6x20 stainless steel 1.4305	2 Pc.
12	3401-2456	Clamping	4 Pc.
13	1044-0006-0A2	Hexagonal domed cap nut self-locking A2 DIN/ISO 986 M6	2 Pc.

Spare parts

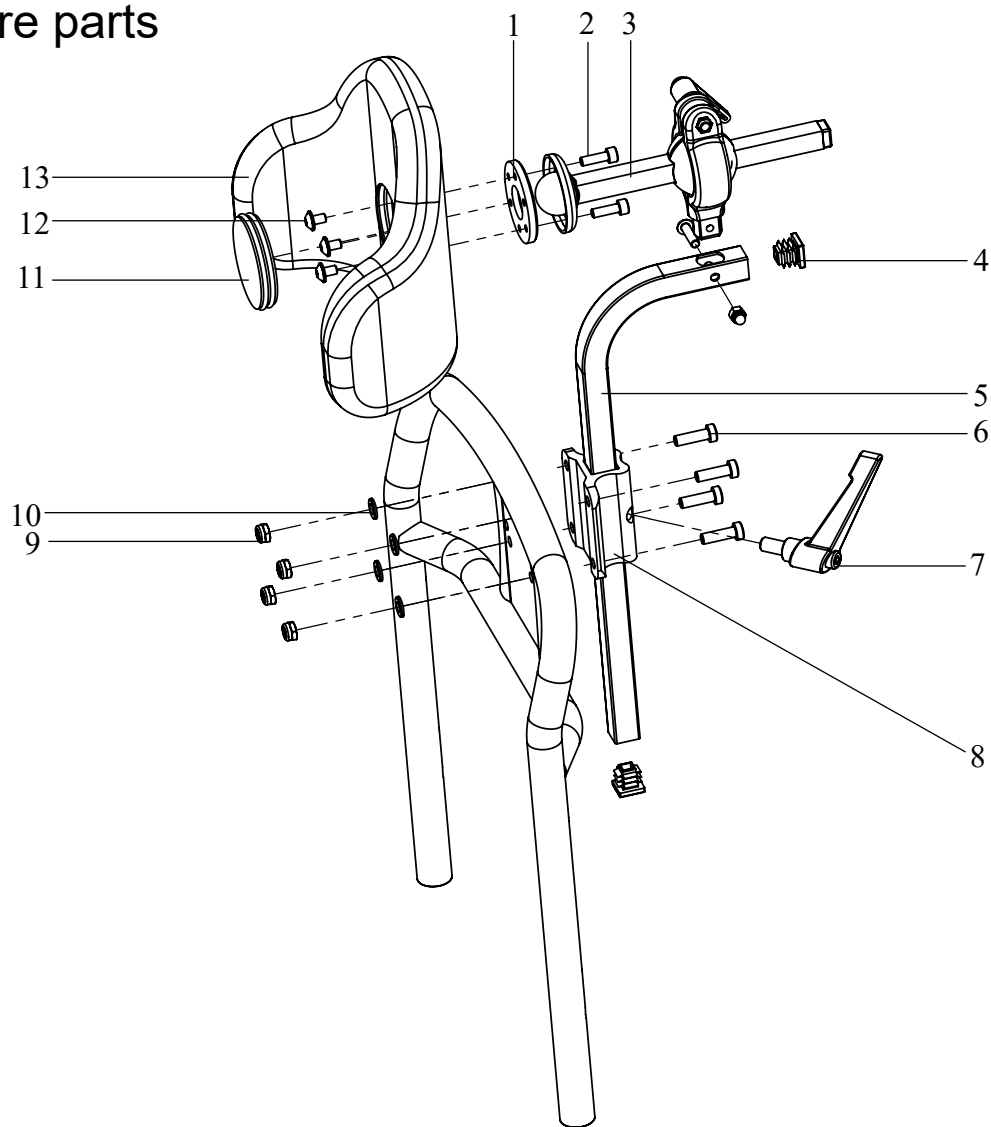


Pos.	Article number	Article description	Quantity
1-10	3401-2440E-022	Foot board frame complete	1 Pc.
1	3401-2420-022	Locking frame, RAL 9003 Signal white	1 Pc.
2	3401-2429	Locking bolt cable knee angle size 1	1 Pc.
3	1129-0036-0A2	Key ring 16x1,6	2 Pc.
4	3401-2441	Shoulder bushing $\varnothing 20 \times 8 \times 11,5$	2 Pc.
5	1030-0620-0A2	Button head socket screw with flange DIN 7380-2 A2 M6	2 Pc.
6	3401-2410-022	Foot rest mount, RAL 9003 Signal white	2 Pc.
7	1141-0009-022	Ribbed insert SFL 25x1-2,5 RAL 9003	2 Pc.
8	3201-7530	Lock pin	2 Pc.
9	1131-0077	Compression VD-127D 0,80x7,5x29,00x8,50	2 Pc.
10	3401-2331	Bolt socket	2 Pc.



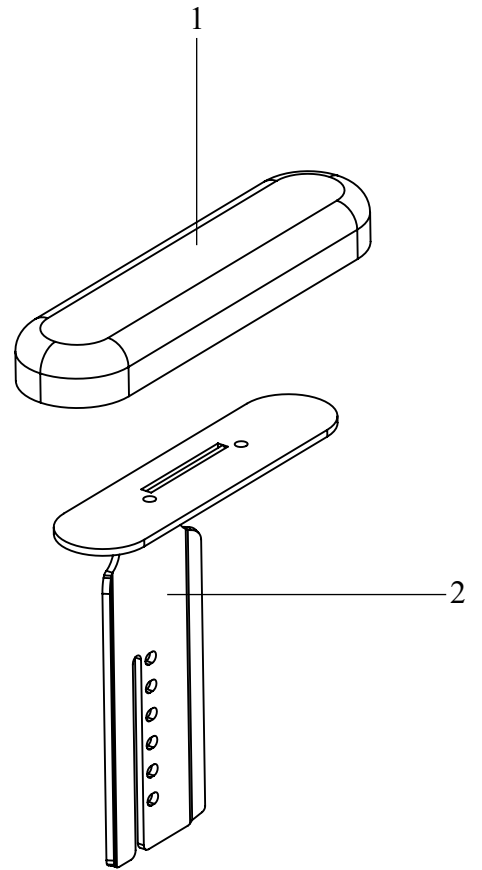
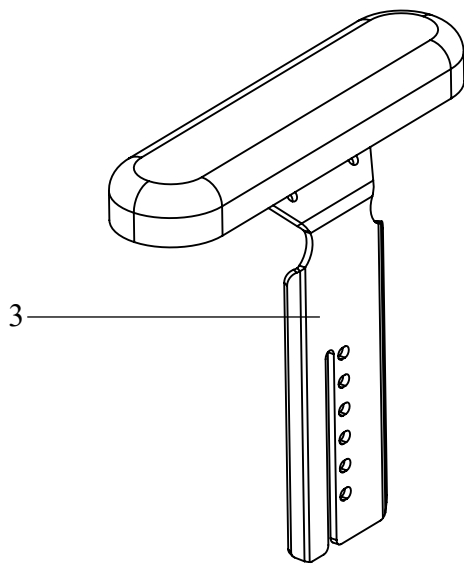
Pos.	Article number	Article description
1-5	3401-2360-022	Push handle unit
1	1042-0006-0A4	Hexagon nut self-locking A4 DIN/ISO 985 M6
2	1051-0006-0A2	Washer B-140HV A2 DIN/ISO 125 D6,4
3	1143-0004-022	Handle grip white SHARKY
4	3401-2350-022	Push bar SHARKY, RAL 9003 Signal white
5	1022-0620-0A4	Hexagon socket head cap screw A4 DIN/ISO 7984 M6x20

Spare parts



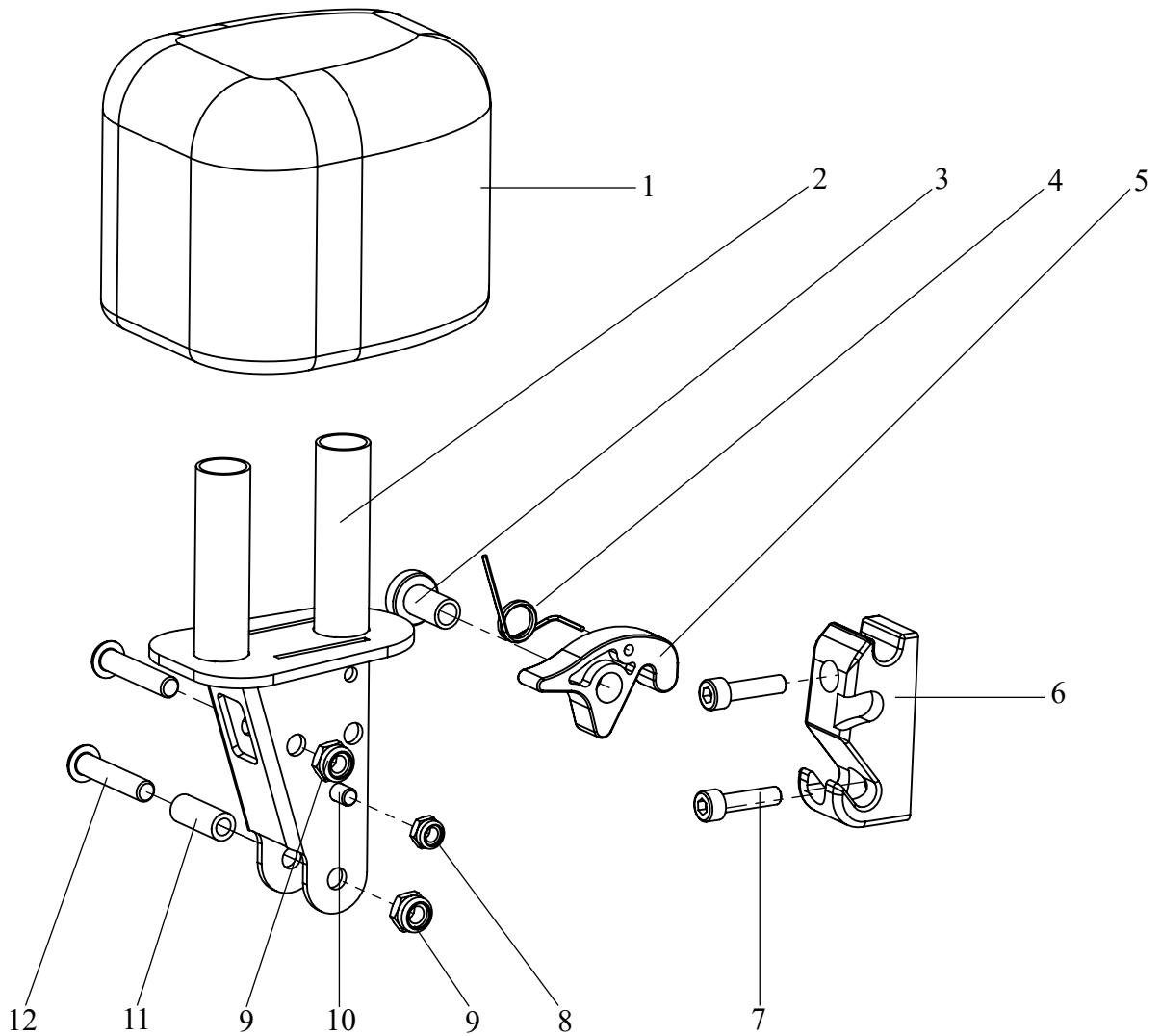
Pos.	Article number	Article description	Quantity
1-13	3401-7600-019	Headrest with PU-pad	1 Pc.
1	3401-7631	Clamping ring head rest V2A	1 Pc.
2	1021-0520-0A2	Cap screw M5x20	3 Pc.
3	3401-7610	Ball-head clamping complete Sharky	1 Pc.
4	1141-0030-022	Ribbed insert VL 15x15x0,8-2 white	2 Pc.
5	3401-7621	Support 90° V2A	1 Pc.
6	1022-0620-0A4	Hexagon socket head cap screw	4 Pc.
7	1121-0816-WS	Locking lever VA white M8x16 RAL 9003	1 Pc.
8	2101-9003-022	Universal head rest bracket long, RAL 9003	1 Pc.
9	1042-0006-0A4	Hexagon nut self-locking A4 DIN/ISO 985 M6	4 Pc.
10	1051-0006-0A2	Washer B-140HV A2 DIN/ISO 125 D6,4	4 Pc.
11	3401-7653	PU- headrest plug	1 Pc.
12	1030-0508-0A2	Button head socket screw with flange	3 Pc.
13	3401-7650	PU- headrest blue with insert	1 Pc.

Spare parts



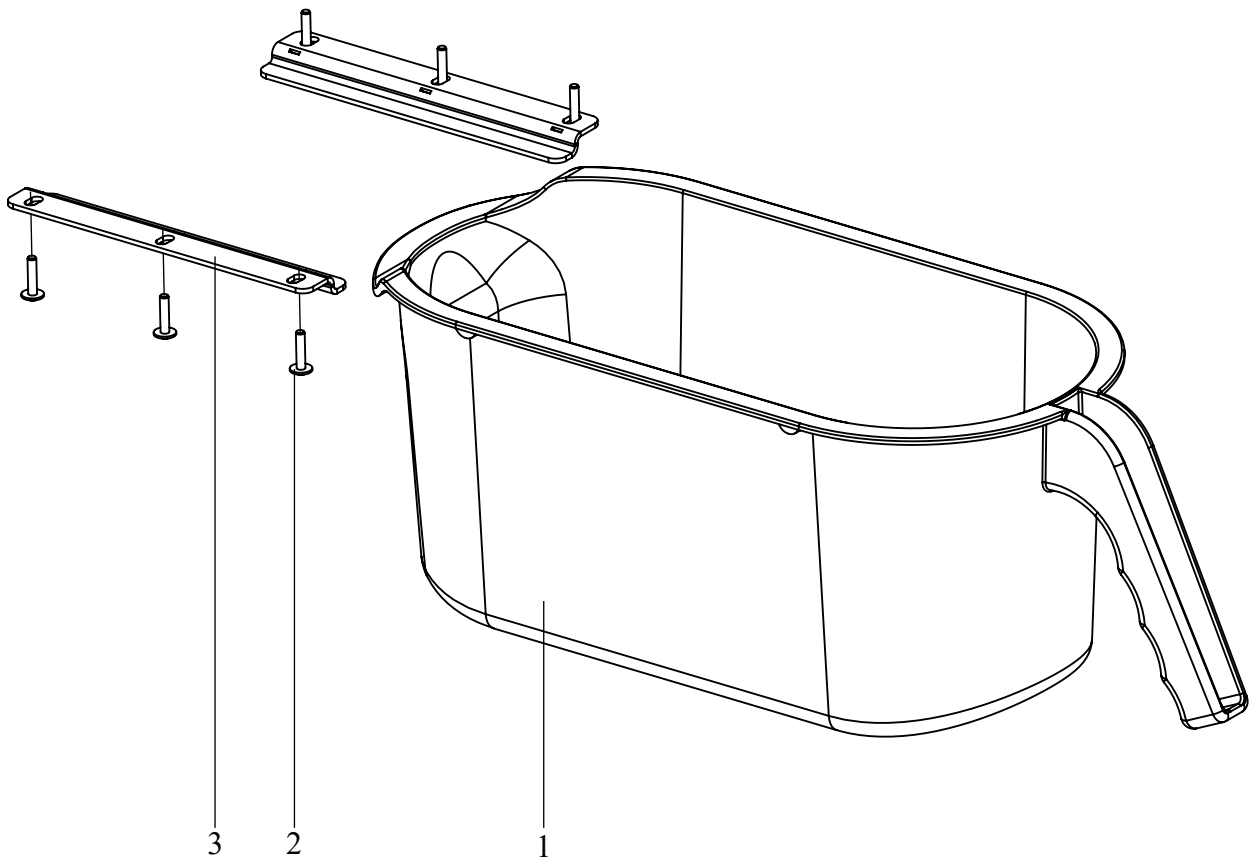
Pos	Article number	Article description	Quantity
1-3	3401-6100-019	Armrests with PU pads	1 Pair
1	3401-6181	PU- armrest pads	2 Pc.
2	3401-6110-022	Arm rest SHARKY left	1 Pc.
3	3401-6120-022	Arm rest SHARKY right	1 Pc.

Spare parts



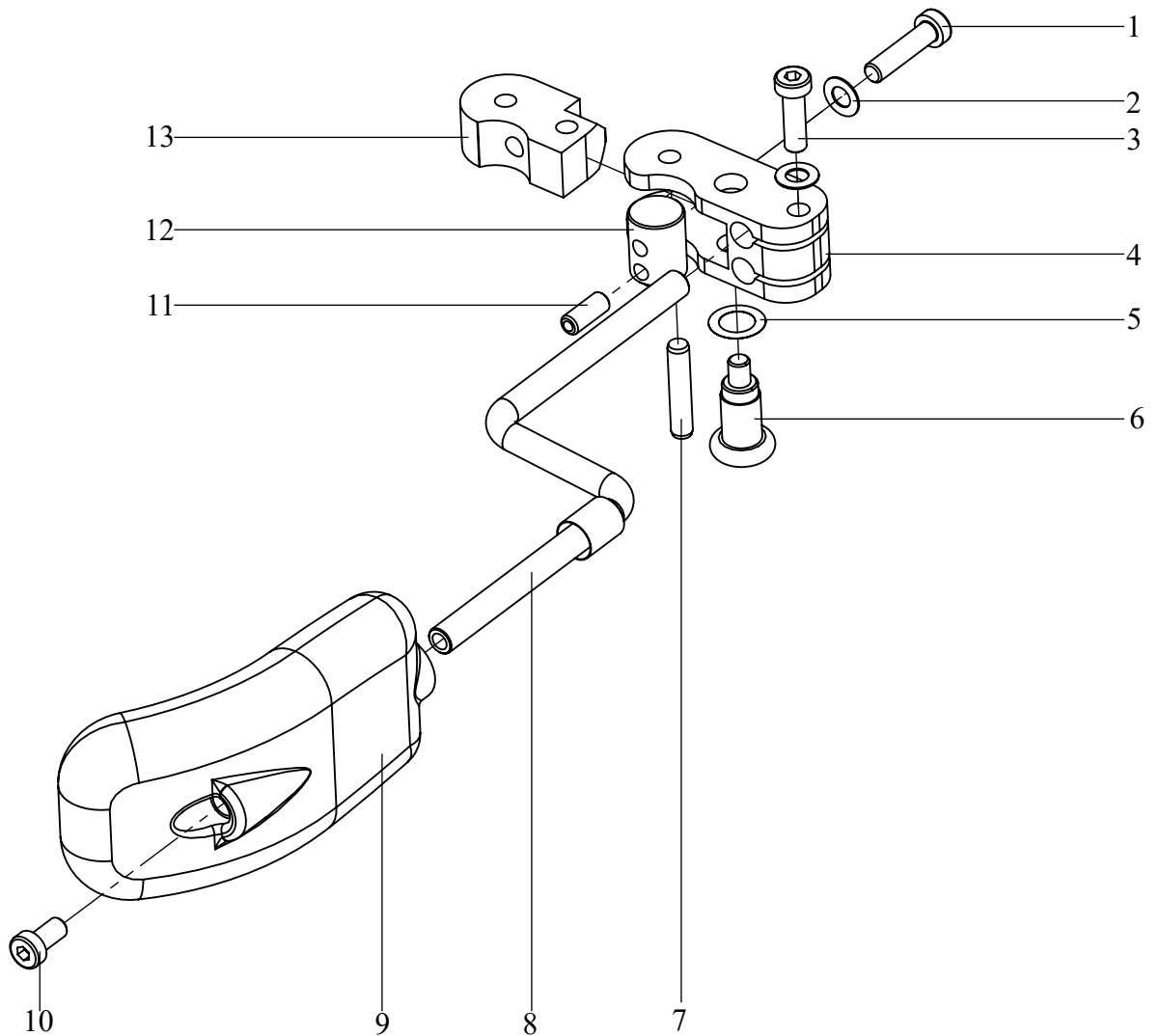
Pos.	Article number	Article description	Quantity
1-12	3401-7800-019	Abduction block size 1 (LWH 100x85x80 cm)	1 Pc.
1	3401-7911	PU- abductor blue size 1 SHARKY	1 Pc.
2	3401-7820-022	Carrier abduction block SHARKY	1 Pc.
3	3401-7842	Bearing locking hook	1 Pc.
4	3231-7843	Leg spring for locking hook	1 Pc.
5	3401-7841	Arresting clamp	1 Pc.
6	3401-7832	Arresting part for A-wedge	1 Pc.
7	1021-0520-0A2	Cap screw M5x20	2 Pc.
8	1042-0005-0A4	Hexagon nut self-locking A4 DIN/ISO 985 M5	1 Pc.
9	1042-0006-0A4	Hexagon nut self-locking A4 DIN/ISO 985 M6	2 Pc.
10	1021-0508-0A2	Cylinder head screw DIN 6912 A2, M5x8	1 Pc.
11	1114-0066	Threaded bushing 8xM6x20	1 Pc.
12	1029-0630-0A4	Button head socket screw DIN/ISO 7380/1 M6x30	2 Pc.

Spare parts



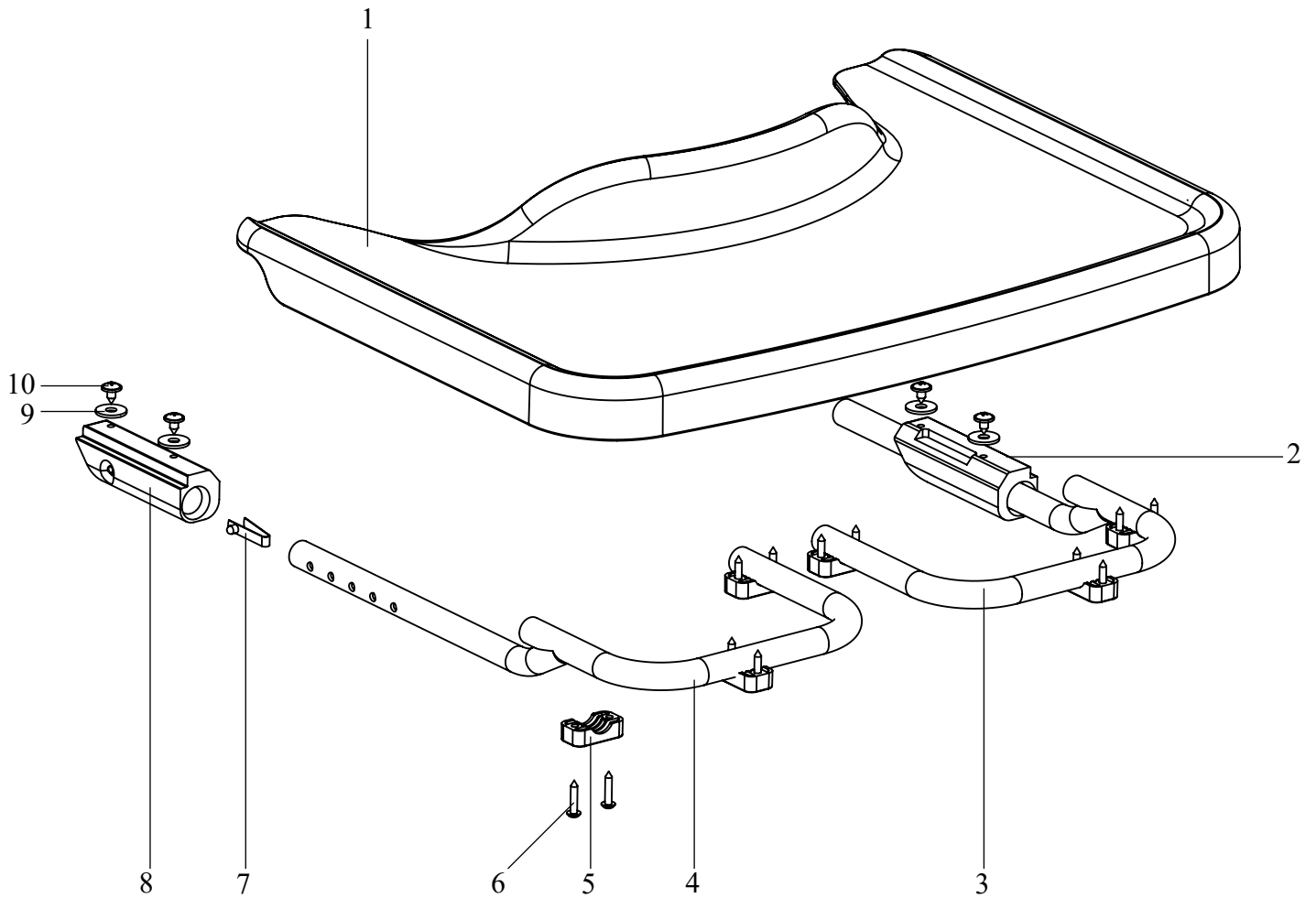
Pos.	Article number	Article description	Quantity
1-3	3401-5100	Toilet bucket, incl. retainer	1 Pc.
1	3401-2264	Toilet bucket size 1	1 Pc.
2	1039-0015-0A2	Screw for plastic, cross rcessed pan head	6 Pc.
3	3401-2262-022	Mounting for bucket	2 Pc.

Spare parts



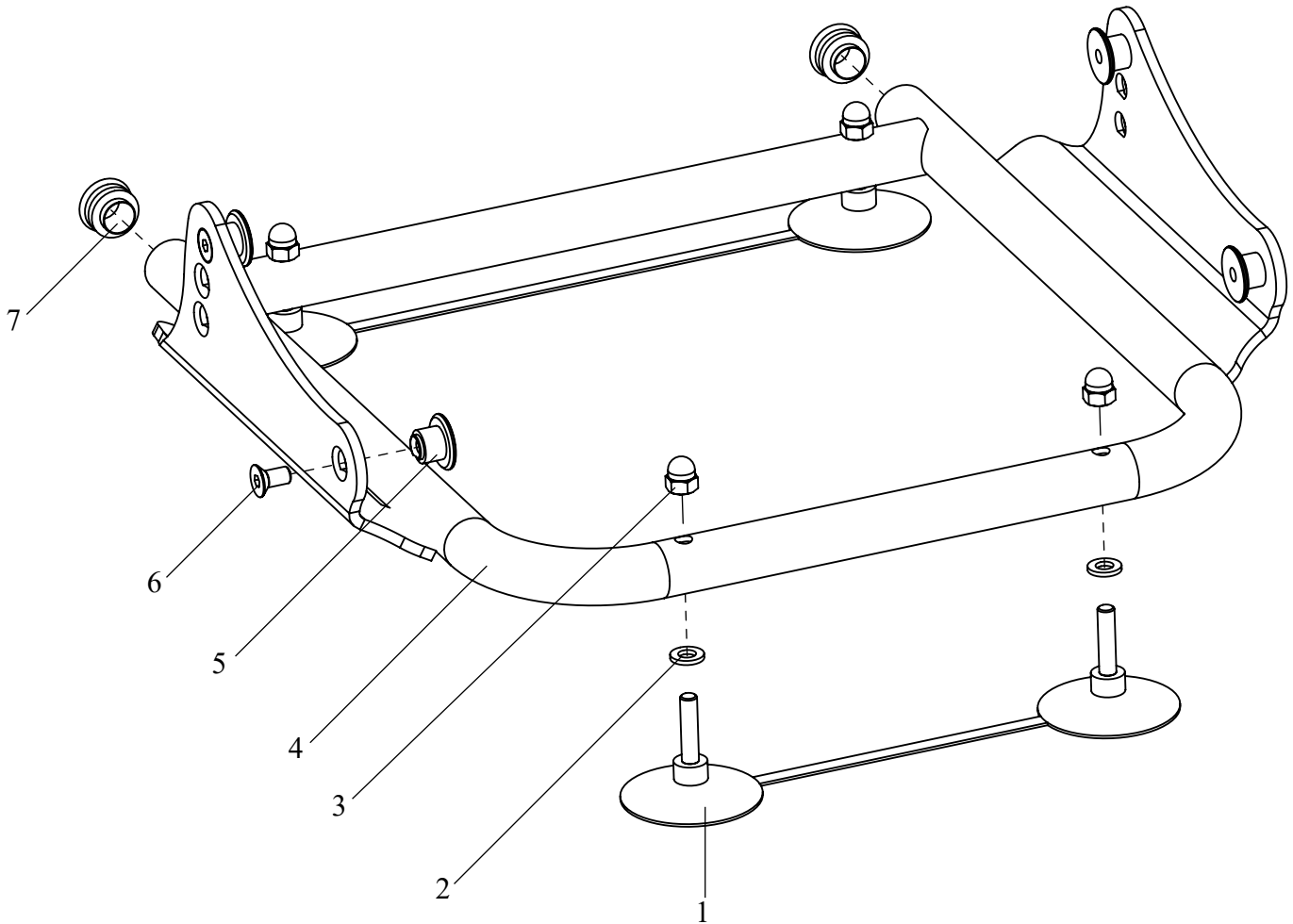
Pos.	Article number	Article description	Quantity
1-14	3401-7700-019	Lateral PU pads (11 x 6 cm), width and height ac	1 Set
	3402-7700-019	Lateral PU pads (14 x 8 cm), width and height ac	1 Set
1	1022-0625-0A4	Hexagon socket head cap screw zp DIN/ISO 798	2 Pc.
2	1052-0006-0A2	Spring washer B6 zp DIN/ISO 4310 B6	4 Pc.
3	1022-0620-0A4	Hexagon socket head cap screw A4 DIN/ISO 798	2 Pc.
4	3401-7712-006	Swivel arm	2 Pc.
5	1059-0001-0A2	Shim ring zp DIN/ISO 988 10x16x1,2	2 Pc.
6	1127-0010-0VA	Lock pin ZS-10x1-0A-VA	2 Pc.
7	1071-0628-0A4	Parallel pin DIN/ISO 7 M6-A4-6x28	2 Pc.
8	3401-7720	Swing arm lateral pads SK	2 Pc.
9	3401-7740	PU- trunk support with inserts, size 1	2 Pc.
	3401-7760	PU- trunk support with inserts, size 2	2 Pc.
10	1022-0612-0A4	Hexagon socket head cap screw DIN/ISO 7984 M	2 Pc.
11	1139-0002-00A	spring-loaded VA pressure piece with ball GN 61!	2 Pc.
12	3401-7714	Clamping block lateral pad	2 Pc.
13	3401-7711-006	Clamp base	2 Pc.
14	3401-7750-019	Cover for lateral pad joint neopren (without picti	1 Pair

Spare parts



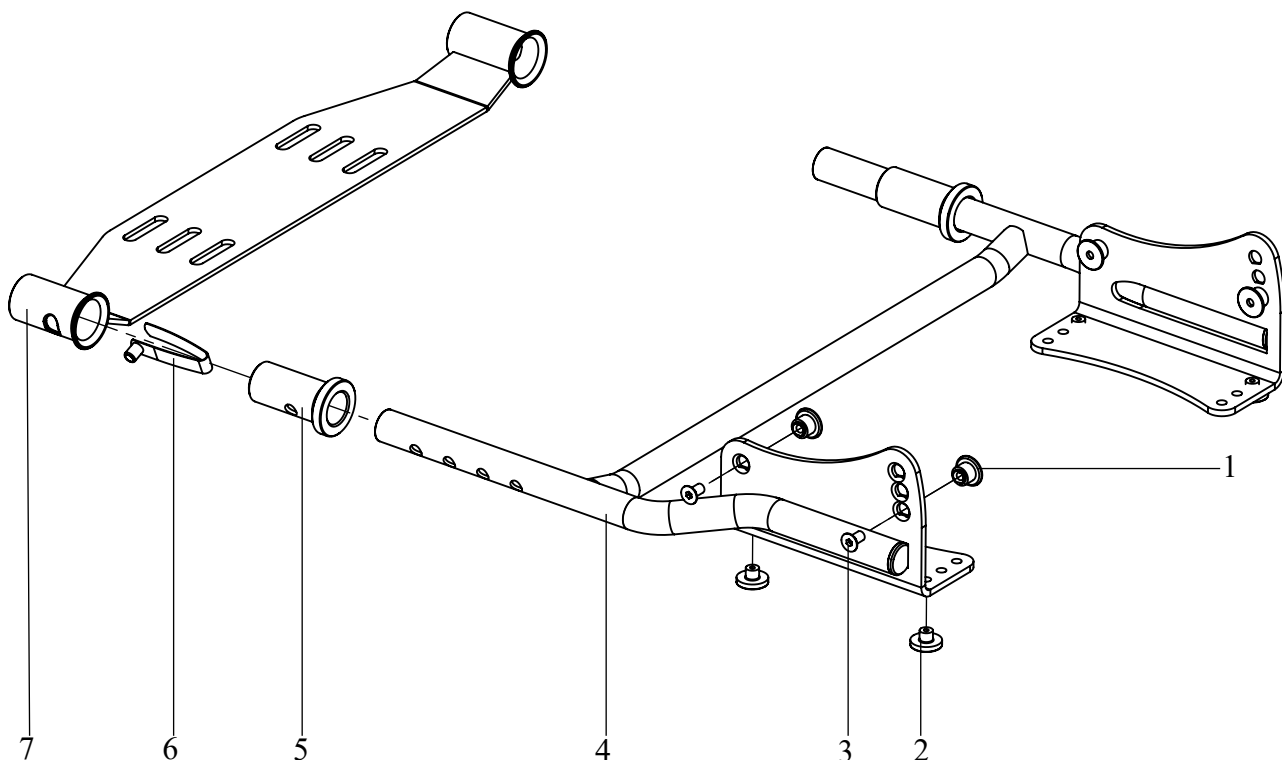
Pos.	Article number	Article description	Quantity
1-10	3401-8100	Therapy table, depth adjustable, removable	1 Pc.
1	3401-8110	Therapy table SHARKY size 1-2	1 Pc.
2	3401-8111	Table holder left	1 Pc.
3	3401-8120-022	Retaining tube therapy table left	1 Pc.
4	3401-8130-022	Retaining tube therapy table right	1 Pc.
5	3401-8113	Clamping \varnothing 16	6 Pc.
6	1039-0008	Screw for plastic, cross recessed pan head w. flange zp 4)	12 Pc.
7	1134-0005-0A2	Snap button A 102, A2	2 Pc.
8	3401-8112	table holder right	1 Pc.
9	1055-0006-0A4	Washer A4 DIN/ISO 9021 A6,4	4 Pc.
10	1027-4809-0A2	Cross recessed pan head tapping screw	4 Pc.

Spare parts



Pos.	Article number	Article description	Quantity
1-7	3401-3000-022	Bath subframe with seat angle adjustment	1 Pc.
1	1153-0001-0A2	Suction cups D80 mm M6x30, A2 weiß 170 mm Steglöselasche	2 Pc.
2	1051-0006-0A2	Washer B-140HV A2 DIN/ISO 125 D6,4	4 Pc.
3	1044-0006-0A2	Hexagonal domed cap nut self-locking A2 DIN/ISO 986 M6	4 Pc.
4	3401-3010-022	Bathtub frame SHARKY size 1	1 Pc.
5	3401-1322	Locking shaft	4 Pc.
6	1024-0612-0A2	Hexagon socket countersunk head screw A2 DIN/ISO 10642 M6x1:	4 Pc.
7	1141-0008-022	Ribbed insert SFL 20x0,8-2,5 RAL 9003	2 Pc.

Spare parts



Pos.	Article number	Article description	Quantity
1-7	3401-3100-022	Toilet adapter size 1	1 Pc.
1	3401-1322	Locking shaft	4 Pc.
2	1153-0002	Rubber foot PVC transparent 19 mm	4 Pc.
3	1024-0612-0A4	Hexagon socket countersunk head screw	4 Pc.
4	3401-3110-022	Top frame SHARKY size 1	1 Pc.
5	3401-3121	Locking guide Toilet adapter	2 Pc.
6	1134-0006-0A2	Snap button B 141 7,7x9,4, A2	2 Pc.
7	3401-3130-022	Toilet adapter SHARKY size 1	1 Pc.

HOGGI GmbH
Eulerstraße 27 • 56235 Ransbach-Baumbach • Deutschland
Telefon: (+49) 2623 / 92 499-0 • Telefax: (+49) 2623 / 92 499-99
E-mail: info@hoggi.de • www.hoggi.de
