



Quickie ACCESS

February 2023

EIR14

Mark For: Date: _____ Dealer Acct #: _____ Dealer: _____ Dealer Contact: _____ Dealer Address: _____ Dealer City: _____ ST: _____ ZIP: _____ Dealer Phone: () _____ Fax: () _____ Confirmation Email: _____ Confirm Via: <input type="checkbox"/> Fax <input type="checkbox"/> Email	Submitting for: <input type="checkbox"/> Quote <input type="checkbox"/> Order PO#: _____ <p style="text-align: center;">ADDITIONAL SHIPPING INFORMATION</p> Ship To: _____ Attention: _____ Address: _____ Address: _____ Ship To City: _____ ST: _____ ZIP: _____ Ship To Phone: () _____ Fax: () _____
--	---

The **HCPCS CODES** provided are based on code verification through PDAC or our interpretation of the code definitions.
 The use of **HCPCS CODES** does not ensure coverage or payment. For coverage information, verify the appropriate payer's coverage policy.

✓	Option #	HCPCS	Definition	Price	✓	Option #	HCPCS	Definition	Price
---	----------	-------	------------	-------	---	----------	-------	------------	-------

1. FRAME

Base Model

<input type="checkbox"/>	208WM105	E1161	Quickie Access 14" sizes use E1233	
<input type="checkbox"/>	208WM110	E1161	Quickie Access - Transit included 14" sizes use E1233	

Pre-Set Tilt Angle

Certain wheel combinations will limit the seat angle

<input type="checkbox"/>	208TA11	E1161	-5° to 20° Degree Tilt	NC
<input type="checkbox"/>	208TA12	E1161	0° to 25° Degree Tilt	NC

Tilt Release Options

<input type="checkbox"/>	208TT8		Foot Release NA with 19"-22" Depth <input type="checkbox"/> Left <input type="checkbox"/> Right (Facing from rear)	NC
<input type="checkbox"/>	208TT12		Backrest trigger cable release	NC

Transit

<input type="checkbox"/>	208TO45		Transit Option	
--------------------------	---------	--	----------------	--

Frame Options

<input type="checkbox"/>	208FS23		Standard Base and Seat Frame (Maximum Weight: 300 lbs)	STD
--------------------------	---------	--	---	-----

User's Weight

Gas spring selection depends User's weight selection.

<input type="checkbox"/>	208WG26		Up to 150 lbs	NC
<input type="checkbox"/>	208WG27		151 - 180 lbs	NC
<input type="checkbox"/>	208WG28		181 - 210 lbs	NC
<input type="checkbox"/>	208WG29		211 - 240 lbs	NC
<input type="checkbox"/>	208WG30		241 - 270 lbs	NC
<input type="checkbox"/>	208WG31		271 - 300 lbs	NC



ACCESS

✓	Option #	HCPCS	Definition	Price	✓	Option #	HCPCS	Definition	Price
2. SIZE / SEATING									

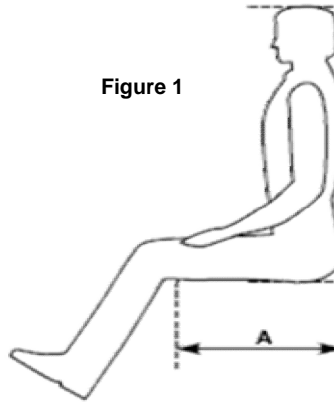
Frame Width				
21" & 22" NA w/ removable stroller handle extension or back upholsteries.				
Small Frame 14" - 17"				
<input type="checkbox"/>	208W5		14"	NC
<input type="checkbox"/>	208W6		15"	NC
<input type="checkbox"/>	208W7		16"	NC
<input type="checkbox"/>	208W8		17"	NC
Large Frame 18" - 22"				
<input type="checkbox"/>	208W9		18"	NC
<input type="checkbox"/>	208W10		19"	NC
<input type="checkbox"/>	208W11	E2201	20"	
<input type="checkbox"/>	208W12	E2201	21"	
<input type="checkbox"/>	208W13	E2201	22"	

Seat Type				
<input type="checkbox"/>	208ST35	E2231	Standard Seat Pan For growth ranges, see Figure 1.5	
<input type="checkbox"/>	208ST54		Omit seat Pan	NC

JAY Cushions (Optional)				
To order any JAY cushions on-chair, please see the JAY price list. Cushion name or part number must be filled out with desired width and depth.				
<input type="checkbox"/>	208JC20	JAY Bundled Cushion		Price List
		Cushion Name/Part #:	Width:	Depth:

Seat Depth				
See Figure 1 Dimension A for measurement				
Foot release tilt option NA w/19"-22"				
Short 14" - 16"				
<input type="checkbox"/>	208SD7		14"	NC
<input type="checkbox"/>	208SD8		15"	NC
<input type="checkbox"/>	208SD9		16"	NC
Medium 16" - 18"				
<input type="checkbox"/>	208SD9		16"	NC
<input type="checkbox"/>	208SD10		17"	NC
<input type="checkbox"/>	208SD11		18"	NC
Long 18" - 20"				
<input type="checkbox"/>	208SD11		18"	NC
<input type="checkbox"/>	208SD12		19"	NC
<input type="checkbox"/>	208SD13	E2203	20"	
Extra Long 20" - 22"				
<input type="checkbox"/>	208SD13	E2203	20"	
<input type="checkbox"/>	208SD14	E2203	21"	
<input type="checkbox"/>	208SD33	E2204	22"	

Custom Seating				
Add potential NoGos with Custom Seating (pending review)				
<input type="checkbox"/>	208QC01		JAY Custom (AES/JCF)	
<input type="checkbox"/>	208QC02		JAY Surefit	
<input type="checkbox"/>	208QC03		JAY Fit	



Frame Width	Seat Pan Growth
14"	14" - 16"
15"	15" - 16"
16"	16" - 18"
17"	17" - 18"
18"	18" - 20"
19"	19" - 20"
20"	20" - 22"
21"	21" - 22"
22"	NA

3. CASTERS / SEAT HEIGHTS / REAR WHEELS

Front Seat Height	
12"-12.5" with 4" casters are limited to a 1.5" floor clearance.	

Axle Plate				
<input type="checkbox"/>	208AL33		Standard Axle Plate	NC

Rear Wheel Size	CASTER SIZE							
	4"	5"	6"	7"	8" x 1"	8" x 1.5"	8" x 2"	
12" - 24"	<input type="checkbox"/>	<input type="checkbox"/>	<input type="checkbox"/>					
	<input type="checkbox"/>	<input type="checkbox"/>	<input type="checkbox"/>					
	<input type="checkbox"/>	<input type="checkbox"/>	<input type="checkbox"/>	<input type="checkbox"/>				
	<input type="checkbox"/>	<input type="checkbox"/>	<input type="checkbox"/>	<input type="checkbox"/>		<input type="checkbox"/>	<input type="checkbox"/>	
	<input type="checkbox"/>	<input type="checkbox"/>	<input type="checkbox"/>	<input type="checkbox"/>	<input type="checkbox"/>			
	<input type="checkbox"/>	<input type="checkbox"/>	<input type="checkbox"/>	<input type="checkbox"/>		<input type="checkbox"/>	<input type="checkbox"/>	
	<input type="checkbox"/>	<input type="checkbox"/>	<input type="checkbox"/>	<input type="checkbox"/>	<input type="checkbox"/>	<input type="checkbox"/>	<input type="checkbox"/>	
	<input type="checkbox"/>	<input type="checkbox"/>	<input type="checkbox"/>	<input type="checkbox"/>	<input type="checkbox"/>	<input type="checkbox"/>	<input type="checkbox"/>	
	<input type="checkbox"/>	<input type="checkbox"/>	<input type="checkbox"/>	<input type="checkbox"/>	<input type="checkbox"/>	<input type="checkbox"/>	<input type="checkbox"/>	
	<input type="checkbox"/>	<input type="checkbox"/>	<input type="checkbox"/>	<input type="checkbox"/>	<input type="checkbox"/>	<input type="checkbox"/>	<input type="checkbox"/>	
	<input type="checkbox"/>	<input type="checkbox"/>	<input type="checkbox"/>	<input type="checkbox"/>	<input type="checkbox"/>	<input type="checkbox"/>	<input type="checkbox"/>	
	<input type="checkbox"/>	<input type="checkbox"/>	<input type="checkbox"/>	<input type="checkbox"/>	<input type="checkbox"/>	<input type="checkbox"/>	<input type="checkbox"/>	
	<input type="checkbox"/>	<input type="checkbox"/>	<input type="checkbox"/>	<input type="checkbox"/>	<input type="checkbox"/>	<input type="checkbox"/>	<input type="checkbox"/>	
	<input type="checkbox"/>	<input type="checkbox"/>	<input type="checkbox"/>	<input type="checkbox"/>	<input type="checkbox"/>	<input type="checkbox"/>	<input type="checkbox"/>	
	<input type="checkbox"/>	<input type="checkbox"/>	<input type="checkbox"/>	<input type="checkbox"/>	<input type="checkbox"/>	<input type="checkbox"/>	<input type="checkbox"/>	
	<input type="checkbox"/>	<input type="checkbox"/>	<input type="checkbox"/>	<input type="checkbox"/>	<input type="checkbox"/>	<input type="checkbox"/>	<input type="checkbox"/>	

Casters				
<input type="checkbox"/>	208CW3		4" Low Profile Polyurethane N/A w/ HD package	NC
<input type="checkbox"/>	208CW72		4" x 1" Aluminum Polyurethane	
<input type="checkbox"/>	208CW31		4" Micro Lighted	
<input type="checkbox"/>	208CW53		5" x 1" Polyurethane	NC
<input type="checkbox"/>	208CW7		5" x 1.5" Semi Pneumatic	
<input type="checkbox"/>	208CW45		6" x 1" Polyurethane	NC
<input type="checkbox"/>	208CW35		6" x 1.5" Semi Pneumatic	
<input type="checkbox"/>	208CW16		7" Polyurethane	NC
<input type="checkbox"/>	208CW46		8" x 1" Polyurethane	NC
<input type="checkbox"/>	208CW39		8" x 1.5" Semi Pneumatic	
<input type="checkbox"/>	208CW37	E2214 K0108	8" x 2" Pneumatic w/Insert	

Rear Wheel				
<input type="checkbox"/>	208RW13		12" Mag Wheel	NC
<input type="checkbox"/>	208RW14		16" Mag Wheel	NC
<input type="checkbox"/>	208RW92		24" Lite Spoke Wheel	NC
<input type="checkbox"/>	208RW103		20" Mag Wheel 5 Spoke	NC
<input type="checkbox"/>	208RW104		22" Mag Wheel 5 Spoke	NC
<input type="checkbox"/>	208RW102		24" Mag Wheel 5 Spoke	NC
<input type="checkbox"/>	208RW150		24" Drum brake wheel - 36 spokes	NC

Rear Wheel Tire				
<input type="checkbox"/>	208RT3		Full Polyurethane	NC
<input type="checkbox"/>	208RT4		Low Polyurethane	NC
<input type="checkbox"/>	208RT1	E2211 E2212	Pneumatic	NC
<input type="checkbox"/>	208RT2	E2213 E2211	Pneumatic Airless Insert	

Rear Tire & Wheel Matrix				
Tire	Rear Wheel			
	5 Spoke Mag	Spoke	Mag Wheel	Drum Brake
Pneumatic	20,22,24	24	12,16	24
Pneumatic w/ Airless Insert	20,22,24	24	12,16	24
Full Poly	20,22,24	24	N/A	24
Low Poly	N/A	N/A	12	N/A

12" = 203mm 16" = 305mm 20" = 451mm 22" = 501mm 24" = 540mm

3. CASTERS / SEAT HEIGHTS / REAR WHEELS (CONT)

Handrim			
<i>12" and 16" wheels not available with hand rims. See matrix for availability</i>			
<input type="checkbox"/>	208HR1		Aluminum Anodized NC
<input type="checkbox"/>	208HR4		Plastic Coated
<input type="checkbox"/>	208HR22		Natural Fit - Standard Grip
<input type="checkbox"/>	208HR23		Natural Fit - Super Grip
<input type="checkbox"/>	208HR25		Natural Fit - No Thumb Grip
<input type="checkbox"/>	208HR30		Natural Fit LT - Standard Grip
<input type="checkbox"/>	208HR31		Natural Fit LT - Super Grip
<input type="checkbox"/>	208HR32		Natural Fit LT - No Thumb Grip
<input type="checkbox"/>	208HR7		Omit Handrim NC

Axle			
<input type="checkbox"/>	208AX1		Quick Release Axles NC
<input type="checkbox"/>	208AX17		Threaded Axles <i>N/A w/ 24" spoke wheels & 5 Spoke Mags</i> NC

Rear Wheel & Handrim Matrix

Handrim	Rear Wheel		
	5 Spoke Mag	Spoke	Drum Brake
Aluminum Anodized	20,22,24	24	24
Plastic Coat	20,22,24	24	24
Natural Fit - Standard Grip	24	24	
Natural Fit - No Thumb Grip	24	24	
Natural Fit - Super Grip	24	24	
Natural Fit LT - Standard Grip	24	24	
Natural Fit LT - Super Grip	24	24	
Natural Fit LT - No Thumb Grip	24	24	

4. WHEEL LOCKS

Wheel Lock			
<input type="checkbox"/>	208WL8		Push to Lock NC
<input type="checkbox"/>	208WL41	E2206	Attendant Wheel Lock (Foot Lock) <i>NA w/ ext handles. NA w/19"-22" Depth.</i>
<input type="checkbox"/>	208WL79	E228	Drum Brake
<input type="checkbox"/>	208WL10		Omit Wheel Lock NC

Extension Handle			
<input type="checkbox"/>	208EH7	E0961	6" Pair

Hub Lock			
<i>Only available with smaller wheels</i>			
<input type="checkbox"/>	208LK01		12" Hub Lock
<input type="checkbox"/>	208LK02		16" Hub Lock

5. HANGER AND FOOTREST

Hangers			
<i>Footrests mount to extension tubes</i>			
<input type="checkbox"/>	208H145		60° Swing In/Swing Out NC
<input type="checkbox"/>	208H139		70° Swing In/Swing Out NC
<input type="checkbox"/>	208H141		80° Swing In/Swing Out <i>NA w/ 8" casters</i> NC
<input type="checkbox"/>	208H160	E0990	Elevating Hanger - Ext Mount.
<input type="checkbox"/>	208H159	K0053	Articulating Hanger
<input type="checkbox"/>	208H32		Omit Hanger

Footrest Options			
<input type="checkbox"/>	208HL1	E0951	Heel Loop
<input type="checkbox"/>	208HL5	K0038	Leg Strap
<input type="checkbox"/>	208IG2		Impact Guard Neoprene <i>Only available w/ 60° or 70° ext. mount hanger</i>

Extension Tubes			
<input type="checkbox"/>	208E1		Short NC
<input type="checkbox"/>	208E2		Medium <i>NA with 12.5" seat height</i> NC
<input type="checkbox"/>	208E5		Long <i>NA with 12.5" seat height</i> NC
<input type="checkbox"/>	208E16		High Mount <i>N/A with ELR/ALR hangers. Only available with adult footplates</i>

JAY Positioning			
<input type="checkbox"/>	208K3	E1020	Left JAY Lower Extremity S/A support
		<input type="checkbox"/>	208K23 Pad 6" x 8" Left NC
		<input type="checkbox"/>	208K25 Pad 8" x 10" Left NC
<input type="checkbox"/>	208K4	E1020	Right JAY Lower Extremity S/A support
		<input type="checkbox"/>	208K22 Pad 6" x 8" Right NC
		<input type="checkbox"/>	208K24 Pad 8" x 10" Right NC
<input type="checkbox"/>	208K2		Omit Hanger
		<input type="checkbox"/>	Left <input type="checkbox"/> Right

Footrest Footplates			
<i>Heel loop or leg strap not included, See Footplate Options Section</i>			
<input type="checkbox"/>	208F1		Composite STD
<input type="checkbox"/>	208F271	K0040 E0951	Composite Angle Adj-(16"-22"w)
<input type="checkbox"/>	208F5		Aluminum <i>Only available w/ELR & ALR</i> NC
<input type="checkbox"/>	208F3	K0040	Adult Angle Adjustable - Ext Mount
<input type="checkbox"/>	208F7		Omit Footplate and Ext. Tube

Articulating / Elevating Hanger Cover			
<input type="checkbox"/>	208DI47		Neoprene Cover
<input type="checkbox"/>	208DI48		Gel Pad Cover

Option #	HCPCS	Definition	Price	Option #	HCPCS	Definition	Price
6. BACKREST / SEATING							

Backpost Style - (Choose ONE Option - A, B, C)

A. Stroller Handle Backpost (Fixed)				A
<input type="checkbox"/>	208BP9	Low (18")	NC	
<input type="checkbox"/>	208BP10	Medium (21")	NC	
<input type="checkbox"/>	208BP11	Tall (24")	NC	

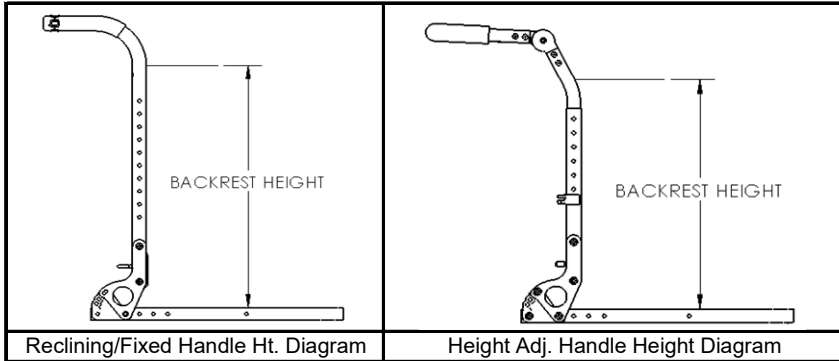
OR				C	
C. Reclining Backrest (0-50°)					
<i>NA w/ 22" Deep Frame.</i>					
<input type="checkbox"/>	208BT21	E1225	Reclining Backrest		
		<input type="checkbox"/>	208B5	Medium	
		<input type="checkbox"/>	208B9	Tall	
<input type="checkbox"/>	208BP64		Angle Adj stroller handles Height adj range 19"- 23"		
		<input type="checkbox"/>	208PH8	Standard push handle	
		<input type="checkbox"/>	208PH9	Long push handle	

OR				B	
B. Height Adjustable Back w/ Adj. Stroller Handles					
<i>Select desired Push Handle</i>					
<input type="checkbox"/>	208PH8	Standard Push Handle	NC		
<input type="checkbox"/>	208PH9	Long Push Handle	NC		
<i>AND select desired Back Cane</i>					
<input type="checkbox"/>	208B200	Standard 15"-21"	NC		
<input type="checkbox"/>	208B201	Tall 18"-24"	NC		

Backrest Options and Accessories			
<input type="checkbox"/>	208BP13		Removable Extension NA w/ 21"-22" frame width, height adj back with adj stroller handles
<input type="checkbox"/>	208BT101		Dynamic Backrest NA w/ Reclining Backrest or 19"-22" seat depths

JAY J3 Back			
<input type="checkbox"/>	208JB01		JAY J3 Back NA w/ O2 Holder
			See OF

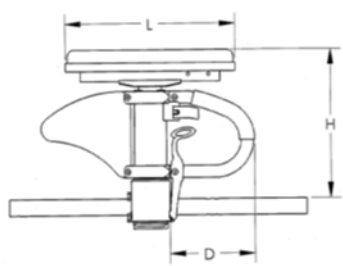
Backrest Upholstery			
<i>ONLY Available with Low Fixed, Medium Fixed, Standard Height Adjustable (15"-21" back height) stroller handles and in 14"-20" widths. N/A with Dynamic, Reclining Backrest, O2 holder, IV Pole, JAY Anterior Thoracic Support and JAY Padded Trunk Strap Accessories. Towel bar included. EXO Tension Adj upholstery binding is Standard black.</i>			
<input type="checkbox"/>	208BU70	E2611	Backrest Tension Adjust Ballistic *Reference 186BU70 for billing
<input type="checkbox"/>	208BU89	E2611	Backrest Tension Adj EXO *Reference 186BU70 for billing
Colors: <input type="checkbox"/> Silver <input type="checkbox"/> Orange <input type="checkbox"/> Red <input type="checkbox"/> Blue			



7. ARMREST

Armrest			
<input type="checkbox"/>	208AA65	E0973	Flip Back Height Adj (LITE 8.5"-13.5")
<input type="checkbox"/>	208AA11	E0973	Single Post Height Adjustable - Std
<input type="checkbox"/>	208AA29	E0973	Single Post Height Adjustable - Low
<input type="checkbox"/>	208AA7	E0973	Length Adjustable Locking Flip-Up NA w/ Contour Armpad
<input type="checkbox"/>	208AA1	E0973	Adjustable Locking Flip-Up
<input type="checkbox"/>	208AA14		Omit Armrest
			NC

Armpad			
<i>Ergo armpad only available with Single post Height adj armrest</i>			
<input type="checkbox"/>	208AM23		Desk Length Classic
<input type="checkbox"/>	208AM21		Desk Length Contour
<input type="checkbox"/>	208AM24		Full Length Classic
<input type="checkbox"/>	208AM22		Full Length Contour
<input type="checkbox"/>	208AM9		Foam Short <i>Option for Length</i> Adj Locking Flip Up
<input type="checkbox"/>	208AM10		Foam Long <i>Option for Length</i> Adj Locking Flip Up
<input type="checkbox"/>	208AM27		Ergo armpad
			NC

Armrest Matrix for Single Post						
Armrest Size	Transfer Tube Length D	Receiver	Classic Pad			
			H Range	Pad length L		
Std	8"	Std	10-3/4" to 15-3/4"	10-1/4"	14"	
		Low	8-3/4" to 13-3/4"			
Low	5-1/4"	Std	9" to 13"	10-1/4"	14"	
		Low	7-1/4" to 11-1/4"			
		Receiver	Contour Pad			
			H Range	Pad length L		
			Std	10" to 15"	10-1/2"	14-1/4"
			Low	8-1/4" to 13-1/4"		
			Std	8-1/2" to 12-1/2"	10-1/2"	14-1/4"
			Low	6-3/4" to 10-3/4"		
		Receiver	Ergo Pad			
			H Range	Pad length L		
			Std	10-1/2" to 15-1/2"	11-3/4"	
			Low	8-3/4" to 13-3/4"		
Std	9" to 13"					
Low	7-1/4" to 11-1/4"					

8. KEY OPTIONS AND ACCESSORIES

Anti Tips

Not ordered as separate line item.

<input type="checkbox"/>	208AT1	E0971	Anti Tips (Pair)	
--------------------------	--------	-------	------------------	--

Positioning Belt

<input type="checkbox"/>	208ZZ25	E0978	JAY 2PT Belt 2" Push Btn No Pad	
<input type="checkbox"/>	208ZZ26	E0978	JAY 2PT Belt 2" Push Btn 9.5" Pad	
<input type="checkbox"/>	208ZZ14	E0978	JAY 2PT Belt 1.5" Push Btn No Pad	
<input type="checkbox"/>	208ZZ15	E0978	JAY 2PT Belt 1.5" Push Btn 7.5" Pad	
<input type="checkbox"/>	208A117	E0978	2" Aircraft Buckle w/Clamps	
<input type="checkbox"/>	208A118	E0978	2" Aircraft Buckle Pad w/Clamp	
<input type="checkbox"/>	208A120	K0108	Positioning Belt Clamps Only	

Wheelchair Tray Table

Only available if armrests are included. NA with JAY Arm Troughs.

<input type="checkbox"/>	208A30	E0950	Small (13"-14")	
<input type="checkbox"/>	208A31	E0950	Medium (15"-17")	
<input type="checkbox"/>	208A32	E0950	Large (18"-20")	
<input type="checkbox"/>	208A33	E0950	X-Large (21"-22")	

JAY Anterior Thoracic Support

Style

<input type="checkbox"/>	208JY01	E0960	Classic Dynamic	
<input type="checkbox"/>	208JY02	E0960	Classic Structure	
<input type="checkbox"/>	208JY03	E0960	Contour Dynamic	
<input type="checkbox"/>	208JY04	E0960	Contour Structure	
<input type="checkbox"/>	208JY05	E0960	Center Opening with Buckle	

Size

<input type="checkbox"/>	208JZ01		Small	NC
<input type="checkbox"/>	208JZ02		Medium	NC
<input type="checkbox"/>	208JZ03		Large	NC
<input type="checkbox"/>	208JZ04		X-Large	NC

JAY Padded Trunk Strap

<input type="checkbox"/>	208JA01	E0960	Padded Trunk Strap - Small	
<input type="checkbox"/>	208JA02	E0960	Padded Trunk Strap - Medium	
<input type="checkbox"/>	208JA03	E0960	Padded Trunk Strap - Large	
<input type="checkbox"/>	208JA04	E0960	Padded Trunk Strap - XL	

Miscellaneous Accessories

<input type="checkbox"/>	208A1		Black Utility Backpack	
<input type="checkbox"/>	208A8		Black Seat Pouch	
<input type="checkbox"/>	208LS14	K0038	Extra Leg Strap Black	
<input type="checkbox"/>	208A601	E2208	O2 Holder NA w/ Height Adj Stroller Handles. NA w/ Reclining Backrest	
<input type="checkbox"/>	208A701	K0105	IV Pole	
<input type="checkbox"/>	208A999		Quickie Water Bottle & Holder	

9. COLOR

Standard Frame Color

Color options only available to hangers, seat tubes on seat. Front and back extensions on the base

<input type="checkbox"/>	208C140	Aztec Gold	NC	<input type="checkbox"/>	208C44	Glossy White	NC
<input type="checkbox"/>	208C2	Black	NC	<input type="checkbox"/>	208C126	Glow	NC
<input type="checkbox"/>	208C141	Black Cherry	NC	<input type="checkbox"/>	208C144	Green Apple	NC
<input type="checkbox"/>	208C10	Black Opal	NC	<input type="checkbox"/>	208C147	Hot Sparkle Pink	NC
<input type="checkbox"/>	208C38	Blue Opal	NC	<input type="checkbox"/>	208C148	Mauve Pink	NC
<input type="checkbox"/>	208C36	Candy Blue	NC	<input type="checkbox"/>	208C103	Rootbeer	NC
<input type="checkbox"/>	208C14	Candy Purple	NC	<input type="checkbox"/>	208C114	Sparkle Silver	NC
<input type="checkbox"/>	208C35	Candy Red	NC	<input type="checkbox"/>	208C145	Sunrise Orange	NC
<input type="checkbox"/>	208C142	Electric Blue	NC	<input type="checkbox"/>	208C113	Titanium	NC
<input type="checkbox"/>	208C143	Evergreen	NC	<input type="checkbox"/>	208C8	Yellow	NC

Matte Frame Color

<input type="checkbox"/>	208C116		Matte Black	NC
<input type="checkbox"/>	208C151		Matte Black Cherry	NC
<input type="checkbox"/>	208C150		Matte Electric Blue	NC
<input type="checkbox"/>	208C149		Matte Evergreen	NC
<input type="checkbox"/>	208C152		Matte Purple	NC

Personalized Frame Color

<input type="checkbox"/>	208C112		Desert Camouflage	
<input type="checkbox"/>	208C43		Mossy Oak Camouflage	
<input type="checkbox"/>	208C42		Stars & Stripes	
<input type="checkbox"/>	208C108		Zebra (Choose above base color) Std with White unless above base paint is chosen NA w/ Black	

Anodized Color Package

Anodize package include Forks, axle plate, back plate.

<input type="checkbox"/>	208EB07		Black	NC
<input type="checkbox"/>	208EB08		Blue	
<input type="checkbox"/>	208EB13		Gold	
<input type="checkbox"/>	208EB09		Lime Green	
<input type="checkbox"/>	208EB10		Purple	
<input type="checkbox"/>	208EB11		Red	
<input type="checkbox"/>	208EB12		Ti Grey	

Additional Options Through Built for Me

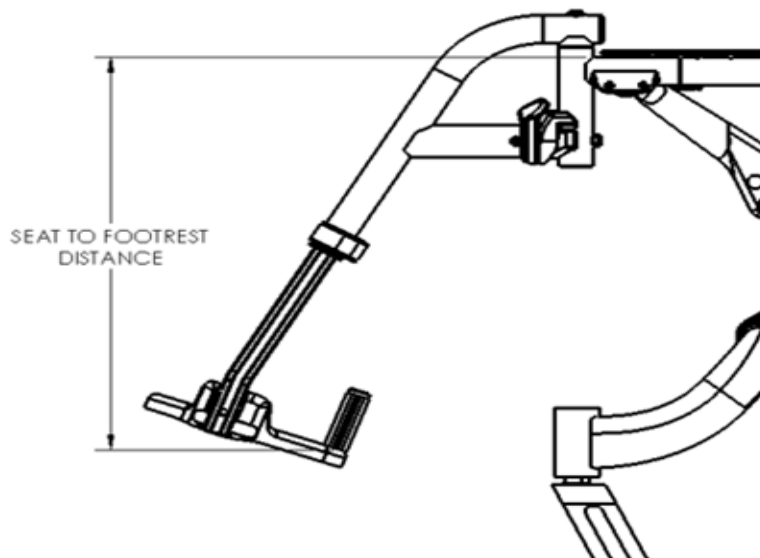
To inquire about any unique personalization for Quickie products, contact: Phone: (800) 333-4000, Fax: (800) 333 9011



Lower Leg Length Matrix

Front seat height must be at least 2" taller than lower leg length on all swing in/out hangers. Front seat height must be at least 2" taller than maximum lower leg length on all front mount hangers.

Hanger	Extension	Seat Pan to Top of Footrest	
		Min	Max
60° Swing In/Out	Short	8 1/2	14
	Med	8 1/2	15 1/2
	Long	9 1/2	17 1/2
70° Swing In/Out	Short	9 1/2	14 1/2
	Med	10	16 1/2
	Long	11 1/2	18 1/2
80° Swing In/Out	Short	10	14
	Med	13	16
	Long	13	18
ALR	Short	9	13
	Med	9	14 1/2
	Long	10	16 1/2
ELR	Short	9	13
	Medium	9	14 1/2
	Long	10	16 1/2



Sunrise Medical (US) LLC
 2842 Business Park Ave. · Fresno, CA 93727 · USA



JAY[®] Signature Series Backrest and Accessories

Note: Not all sizes and configurations shown below, for full offering visit www.sunrisemedical.com

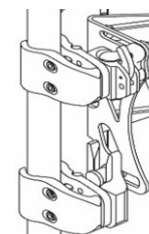
When ordering mark the part number desired and it will be added to the order as a separate line item .

JAY BACKREST

JAY J3 Posterior (PA) BACK - 2.2" Contour Depth

	Shell Height		Shell Width				
Mid Thoracic (MT)	12.0" (S)	J3PAMTSxxFS	<input type="checkbox"/> 12	<input type="checkbox"/> 14	<input type="checkbox"/> 16	<input type="checkbox"/> 18	<input type="checkbox"/> 20
		J3PAMTSxxTH	<input type="checkbox"/> 12	<input type="checkbox"/> 14	<input type="checkbox"/> 16	<input type="checkbox"/> 18	<input type="checkbox"/> 20
Upper Thoracic (UT)	16.5" (S)	J3PAUTSxxFS	<input type="checkbox"/> 12	<input type="checkbox"/> 14	<input type="checkbox"/> 16	<input type="checkbox"/> 18	<input type="checkbox"/> 20
		J3PAUTSxxTH	<input type="checkbox"/> 12	<input type="checkbox"/> 14	<input type="checkbox"/> 16	<input type="checkbox"/> 18	<input type="checkbox"/> 20
	18.0" (M)	J3PAUTMxxFS		<input type="checkbox"/> 14	<input type="checkbox"/> 16	<input type="checkbox"/> 18	<input type="checkbox"/> 20
		J3PAUTMxxTH		<input type="checkbox"/> 14	<input type="checkbox"/> 16	<input type="checkbox"/> 18	<input type="checkbox"/> 20
	19.5" (T)	J3PAUTTxxFS		<input type="checkbox"/> 14	<input type="checkbox"/> 16	<input type="checkbox"/> 18	<input type="checkbox"/> 20
		J3PAUTTxxTH		<input type="checkbox"/> 14	<input type="checkbox"/> 16	<input type="checkbox"/> 18	<input type="checkbox"/> 20
Shoulder Height (SH)	21.0" (S)	J3PASHSxxFS		<input type="checkbox"/> 14	<input type="checkbox"/> 16	<input type="checkbox"/> 18	<input type="checkbox"/> 20
		J3PASHSxxTH		<input type="checkbox"/> 14	<input type="checkbox"/> 16	<input type="checkbox"/> 18	<input type="checkbox"/> 20
	22.5" (M)	J3PASHMxxFS			<input type="checkbox"/> 16	<input type="checkbox"/> 18	<input type="checkbox"/> 20
		J3PASHMxxTH			<input type="checkbox"/> 16	<input type="checkbox"/> 18	<input type="checkbox"/> 20
	24.0" (T)	J3PASHTxxFS				<input type="checkbox"/> 18	<input type="checkbox"/> 20
		J3PASHTxxTH				<input type="checkbox"/> 18	<input type="checkbox"/> 20

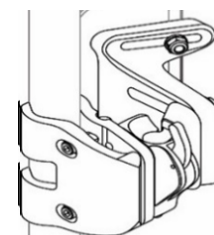
FS Mounting Hardware



JAY J3 Posterior Lateral (PL) BACK - 3" Contour Depth

Mid Thoracic (MT)	15.0" (T)	J3PLMTTxxFS	<input type="checkbox"/> 12	<input type="checkbox"/> 14	<input type="checkbox"/> 16	<input type="checkbox"/> 18	<input type="checkbox"/> 20
		J3PLMTTxxTH	<input type="checkbox"/> 12	<input type="checkbox"/> 14	<input type="checkbox"/> 16	<input type="checkbox"/> 18	<input type="checkbox"/> 20
Upper Thoracic (UT)	16.5" (S)	J3PLUTSxxFS	<input type="checkbox"/> 12	<input type="checkbox"/> 14	<input type="checkbox"/> 16	<input type="checkbox"/> 18	<input type="checkbox"/> 20
		J3PLUTSxxTH	<input type="checkbox"/> 12	<input type="checkbox"/> 14	<input type="checkbox"/> 16	<input type="checkbox"/> 18	<input type="checkbox"/> 20
	18.0" (M)	J3PLUTMxxFS		<input type="checkbox"/> 14	<input type="checkbox"/> 16	<input type="checkbox"/> 18	<input type="checkbox"/> 20
		J3PLUTMxxTH		<input type="checkbox"/> 14	<input type="checkbox"/> 16	<input type="checkbox"/> 18	<input type="checkbox"/> 20
	19.5" (T)	J3PLUTTxxFS		<input type="checkbox"/> 14	<input type="checkbox"/> 16	<input type="checkbox"/> 18	<input type="checkbox"/> 20
		J3PLUTTxxTH		<input type="checkbox"/> 14	<input type="checkbox"/> 16	<input type="checkbox"/> 18	<input type="checkbox"/> 20
Shoulder Height (SH)	21.0" (S)	J3PLSHSxxFS		<input type="checkbox"/> 14	<input type="checkbox"/> 16	<input type="checkbox"/> 18	<input type="checkbox"/> 20
		J3PLSHSxxTH		<input type="checkbox"/> 14	<input type="checkbox"/> 16	<input type="checkbox"/> 18	<input type="checkbox"/> 20
	22.5" (M)	J3PLSHMxxFS			<input type="checkbox"/> 16	<input type="checkbox"/> 18	<input type="checkbox"/> 20
		J3PLSHMxxTH			<input type="checkbox"/> 16	<input type="checkbox"/> 18	<input type="checkbox"/> 20
	24.0" (T)	J3PLSHTxxFS				<input type="checkbox"/> 18	<input type="checkbox"/> 20
		J3PLSHTxxTH				<input type="checkbox"/> 18	<input type="checkbox"/> 20

TH Mounting Hardware



JAY J3 Posterior Deep (PD) BACK - 6" Contour Depth

Mid Thoracic (MT)	15.0" (T)	J3PDMTTxxFS	<input type="checkbox"/> 12	<input type="checkbox"/> 14	<input type="checkbox"/> 16	<input type="checkbox"/> 18	<input type="checkbox"/> 20
		J3PDMTTxxTH	<input type="checkbox"/> 12	<input type="checkbox"/> 14	<input type="checkbox"/> 16	<input type="checkbox"/> 18	<input type="checkbox"/> 20
Upper Thoracic (UT)	18.0" (M)	J3PDUTMxxFS		<input type="checkbox"/> 14	<input type="checkbox"/> 16	<input type="checkbox"/> 18	<input type="checkbox"/> 20
		J3PDUTMxxTH		<input type="checkbox"/> 14	<input type="checkbox"/> 16	<input type="checkbox"/> 18	<input type="checkbox"/> 20
Shoulder Height (SH)	21.0" (S)	J3PDSHSxxFS		<input type="checkbox"/> 14	<input type="checkbox"/> 16	<input type="checkbox"/> 18	<input type="checkbox"/> 20
		J3PDSHSxxTH		<input type="checkbox"/> 14	<input type="checkbox"/> 16	<input type="checkbox"/> 18	<input type="checkbox"/> 20

JAY J3 Back Whitmyer Headrest

AXYS Mount and Pad

<input type="checkbox"/>	J3HEDX8	E0955/E1028	AXYS Headrest with 8" Plush Pad	
<input type="checkbox"/>	J3HEDX10	E0955/E1028	AXYS Headrest with 10" Plush Pad	
<input type="checkbox"/>	J3HEDX14	E0955/E1028	AXYS Headrest with 14" Plush Pad	
<input type="checkbox"/>	J3HEDXAAPN	E0955/E1028	AXYS with Adj-a-Plush Narrow Pad	
<input type="checkbox"/>	J3HEDXAAPS	E0955/E1028	AXYS with Adj-a-Plush Std Pad	

LINX Mount and Pad

<input type="checkbox"/>	J3HEDL8	E0955/E1028	LINX Headrest with 8" Plush Pad	
<input type="checkbox"/>	J3HEDL10	E0955/E1028	LINX Headrest with 10" Plush Pad	
<input type="checkbox"/>	J3HEDL14	E0955/E1028	LINX Headrest with 14" Plush Pad	
<input type="checkbox"/>	J3HEDLAAPN	E0955/E1028	LINX with Adj-a-Plush Narrow Pad	
<input type="checkbox"/>	J3HEDLAAPS	E0955/E1028	LINX with Adj-a-Plush Std Pad	

JAY J3 Back Laterals Swing Away Laterals With Pad - Pair

<input type="checkbox"/>	JLATA44PR	E0956/E1028	SwingAway Lat with 4"x4" Pad (PR)		<input type="checkbox"/>	JLATA64PR	E0956/E1028	SwingAway Lat with 6"x4" Pad (PR)	
<input type="checkbox"/>	JLATA45PR	E0956/E1028	SwingAway Lat with 4"x5" Pad (PR)		<input type="checkbox"/>	JLATA65PR	E0956/E1028	SwingAway Lat with 6"x5" Pad (PR)	
<input type="checkbox"/>	JLATA46PR	E0956/E1028	SwingAway Lat with 4"x6" Pad (PR)		<input type="checkbox"/>	JLATA66PR	E0956/E1028	SwingAway Lat with 6"x6" Pad (PR)	



JAY[®] Signature Series Cushions

Note: Not all sizes and configurations shown below, for full offering visit www.sunrisemedical.com.

When ordering mark the part number desired and it will be added to the order as a separate line item .

JAY CUSHIONS

JAY Fusion Cushion

<input type="checkbox"/>	JFUSION1416	E2622	JAY Fusion 14" x 16"	
<input type="checkbox"/>	JFUSION1616	E2622	JAY Fusion 16" x 16"	
<input type="checkbox"/>	JFUSION1618	E2622	JAY Fusion 16" x 18"	
<input type="checkbox"/>	JFUSION1620	E2622	JAY Fusion 16" x 20"	
<input type="checkbox"/>	JFUSION1717	E2622	JAY Fusion 17" x 17"	
<input type="checkbox"/>	JFUSION1816	E2622	JAY Fusion 18" x 16"	
<input type="checkbox"/>	JFUSION1818	E2622	JAY Fusion 18" x 18"	
<input type="checkbox"/>	JFUSION1820	E2622	JAY Fusion 18" x 20"	
<input type="checkbox"/>	JFUSION2018	E2622	JAY Fusion 20" x 18"	
<input type="checkbox"/>	JFUSION2020	E2622	JAY Fusion 20" x 20"	
<input type="checkbox"/>	JFUSION2220	E2623	JAY Fusion 22" x 20"	

JAY J2 Cushion

<input type="checkbox"/>	2108-MJ	E2622	JAY J2 14" x 16"	
<input type="checkbox"/>	2105-MJ	E2622	JAY J2 15.5" x 16"	
<input type="checkbox"/>	2106-MJ	E2622	JAY J2 15.5" x 18"	
<input type="checkbox"/>	2107-MJ	E2622	JAY J2 15.5" x 20"	
<input type="checkbox"/>	2117-MJ	E2622	JAY J2 17" x 17"	
<input type="checkbox"/>	2100-MJ	E2622	JAY J2 18" x 16"	
<input type="checkbox"/>	2101	E2622	JAY J2 18" x 18"	
<input type="checkbox"/>	2103-MJ	E2622	JAY J2 18" x 20"	
<input type="checkbox"/>	2118-MJ	E2622	JAY J2 20" x 18"	
<input type="checkbox"/>	2102-MJ	E2622	JAY J2 20" x 20"	

JAY Fusion Cushion w/ Single Valve Air Insert

<input type="checkbox"/>	JFUSION1416AS	E2622	JAY Fusion 14" x 16"	
<input type="checkbox"/>	JFUSION1616AS	E2622	JAY Fusion 16" x 16"	
<input type="checkbox"/>	JFUSION1618AS	E2622	JAY Fusion 16" x 18"	
<input type="checkbox"/>	JFUSION1620AS	E2622	JAY Fusion 16" x 20"	
<input type="checkbox"/>	JFUSION1717AS	E2622	JAY Fusion 17" x 17"	
<input type="checkbox"/>	JFUSION1816AS	E2622	JAY Fusion 18" x 16"	
<input type="checkbox"/>	JFUSION1818AS	E2622	JAY Fusion 18" x 18"	
<input type="checkbox"/>	JFUSION1820AS	E2622	JAY Fusion 18" x 20"	
<input type="checkbox"/>	JFUSION2018AS	E2622	JAY Fusion 20" x 18"	
<input type="checkbox"/>	JFUSION2020AS	E2622	JAY Fusion 20" x 20"	
<input type="checkbox"/>	JFUSION2220AS	E2623	JAY Fusion 22" x 20"	

JAY J2 Deep Contour Cushion

<input type="checkbox"/>	2446	E2622	JAY J2 Deep Contour 14" x 16"	
<input type="checkbox"/>	2466	E2622	JAY J2 Deep Contour 16" x 16"	
<input type="checkbox"/>	2468	E2622	JAY J2 Deep Contour 16" x 18"	
<input type="checkbox"/>	2460	E2622	JAY J2 Deep Contour 16" x 20"	
<input type="checkbox"/>	2477	E2622	JAY J2 Deep Contour 17" x 17"	
<input type="checkbox"/>	2486	E2622	JAY J2 Deep Contour 18" x 16"	
<input type="checkbox"/>	2488	E2622	JAY J2 Deep Contour 18" x 18"	
<input type="checkbox"/>	2480	E2622	JAY J2 Deep Contour 18" x 20"	
<input type="checkbox"/>	2408	E2622	JAY J2 Deep Contour 20" x 18"	
<input type="checkbox"/>	2400-MJ	E2622	JAY J2 Deep Contour 20" x 20"	
<input type="checkbox"/>	2428	E2623	JAY J2 Deep Contour 22" x 18"	

JAY Fusion Cushion w/ Dual Valve Air Insert

<input type="checkbox"/>	JFUSION1416AD	E2622	JAY Fusion 14" x 16"	
<input type="checkbox"/>	JFUSION1616AD	E2622	JAY Fusion 16" x 16"	
<input type="checkbox"/>	JFUSION1618AD	E2622	JAY Fusion 16" x 18"	
<input type="checkbox"/>	JFUSION1620AD	E2622	JAY Fusion 16" x 20"	
<input type="checkbox"/>	JFUSION1717AD	E2622	JAY Fusion 17" x 17"	
<input type="checkbox"/>	JFUSION1816AD	E2622	JAY Fusion 18" x 16"	
<input type="checkbox"/>	JFUSION1818AD	E2622	JAY Fusion 18" x 18"	
<input type="checkbox"/>	JFUSION1820AD	E2622	JAY Fusion 18" x 20"	
<input type="checkbox"/>	JFUSION2018AD	E2622	JAY Fusion 20" x 18"	
<input type="checkbox"/>	JFUSION2020AD	E2622	JAY Fusion 20" x 20"	
<input type="checkbox"/>	JFUSION2220AD	E2623	JAY Fusion 22" x 20"	

JAY X2 Cushion

<input type="checkbox"/>	JX21416	E2622	JAY X2 14" x 16"	
<input type="checkbox"/>	JX21616	E2622	JAY X2 16" x 16"	
<input type="checkbox"/>	JX21618	E2622	JAY X2 16" x 18"	
<input type="checkbox"/>	JX21620	E2622	JAY X2 16" x 20"	
<input type="checkbox"/>	JX21717	E2622	JAY X2 17" x 17"	
<input type="checkbox"/>	JX21816	E2622	JAY X2 18" x 16"	
<input type="checkbox"/>	JX21818	E2622	JAY X2 18" x 18"	
<input type="checkbox"/>	JX21820	E2622	JAY X2 18" x 20"	
<input type="checkbox"/>	JX22020	E2622	JAY X2 20" x 20"	

JAY Union Cushion

<input type="checkbox"/>	JU1416	E2607	JAY UNION 14" x 16"	
<input type="checkbox"/>	JU1616	E2607	JAY UNION 16" x 16"	
<input type="checkbox"/>	JU1618	E2607	JAY UNION 16" x 18"	
<input type="checkbox"/>	JU1620	E2607	JAY UNION 16" x 20"	
<input type="checkbox"/>	JU1717	E2607	JAY UNION 17" x 17"	
<input type="checkbox"/>	JU1816	E2607	JAY UNION 18" x 16"	
<input type="checkbox"/>	JU1818	E2607	JAY UNION 18" x 18"	
<input type="checkbox"/>	JU1820	E2607	JAY UNION 18" x 20"	
<input type="checkbox"/>	JU2018	E2607	JAY UNION 20" x 18"	
<input type="checkbox"/>	JU2020	E2607	JAY UNION 20" x 20"	
<input type="checkbox"/>	JU2220	E2608	JAY UNION 22" x 20"	

JAY Ion Cushion

<input type="checkbox"/>	JION1416	E2607	JAY ION 14" x 16"	
<input type="checkbox"/>	JION1616	E2607	JAY ION 16" x 16"	
<input type="checkbox"/>	JION1618	E2607	JAY ION 16" x 18"	
<input type="checkbox"/>	JION1620	E2607	JAY ION 16" x 20"	
<input type="checkbox"/>	JION1717	E2607	JAY ION 17" x 17"	
<input type="checkbox"/>	JION1816	E2607	JAY ION 18" x 16"	
<input type="checkbox"/>	JION1818	E2607	JAY ION 18" x 18"	
<input type="checkbox"/>	JION1820	E2607	JAY ION 18" x 20"	
<input type="checkbox"/>	JION2018	E2607	JAY ION 20" x 18"	
<input type="checkbox"/>	JION2020	E2607	JAY ION 20" x 20"	
<input type="checkbox"/>	JION2220	E2608	JAY ION 22" x 20"	

JAY Union Reduced Profile Cushion

<input type="checkbox"/>	JU1416RP	E2607	JAY Union RP 14" x 16"	
<input type="checkbox"/>	JU1616RP	E2607	JAY Union RP 16" x 16"	
<input type="checkbox"/>	JU1618RP	E2607	JAY Union RP 16" x 18"	
<input type="checkbox"/>	JU1620RP	E2607	JAY Union RP 16" x 20"	
<input type="checkbox"/>	JU1717RP	E2607	JAY Union RP 17" x 17"	

<input type="checkbox"/>	JU1816RP	E2607	JAY Union RP 18" x 16"	
<input type="checkbox"/>	JU1818RP	E2607	JAY Union RP 18" x 18"	
<input type="checkbox"/>	JU1820RP	E2607	JAY Union RP 18" x 20"	
<input type="checkbox"/>	JU2018RP	E2607	JAY Union RP 20" x 18"	
<input type="checkbox"/>	JU2020RP	E2607	JAY Union RP 20" x 20"	