

Serial Number: _____

Manufacturing Date: _____/20____

Sunrise Medical Australia
11 Daniel St
Wetherill Park NSW 2164

Effective May 2021

To place order/quote: orders@sunrisemedical.com.au

Telephone: 02 9678 6600
www.sunrisemedical.com.au



Customer Contact Details

Customer Name: _____	Ship to Customer Address: <input type="checkbox"/>
Advisor: _____	Shipping Name: Shipping _____
Address: _____	Address: _____
_____	_____
_____	_____
Phone: _____	Phone: _____
Email: _____	Email: _____

Additional Information

Notes: _____	Current Wheelchair: _____
_____	Customer Weight: _____
_____	Customer Height: _____
_____	Customer Disability: _____

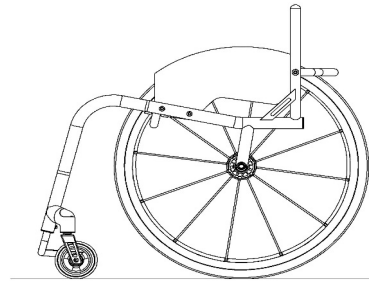
- Base product
- Standard configuration
- Mandatory information
- Option with no extra cost
- Information required for option
- Option with extra cost

SBTXZ010 OCTANE SUB4

XA070 Open design

Max User Weight 110kg (242lbs)

Yes, I am within the max user weight



CAD APPROVAL

XW010 Full CAD drawing for approval

XW011 Quick CAD drawing for approval in 48 hours

KEY FRAME MEASUREMENTS

XY010 Seat width (*Inside of sideguards*)



(Max - 440mm)
(Min - 250mm)

XY020 Seat length



(Max - 440mm)
(Min - 250mm)

XY030 Extra seat length (*Provides additional leg support & hand grip*)



(Max - 440mm total seat)

XY050 Front frame height



(Max - 520mm)
(Min - 380mm)

XY060 Rear frame height



(Max - 500mm)
(Min - 360mm)

XY070 Frame length



(Min = XY020 + XY030 + 140mm)
(Max - 625mm)

XY072 Castor position



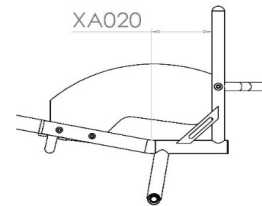
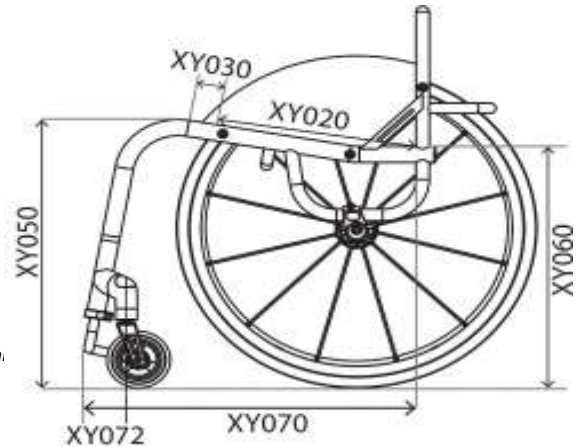
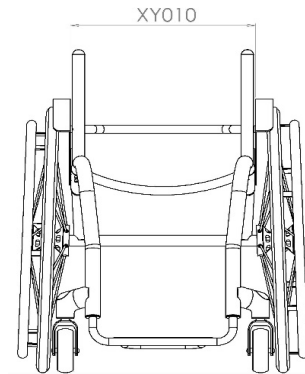
Optimise measurements

XA020 Ergonomic seat



Specify length

(Standard = 120mm)



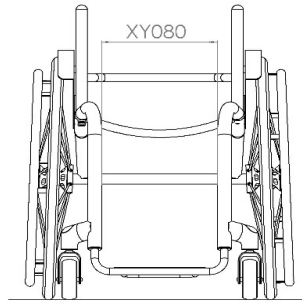
FRONT FRAME AND FOOTREST

Front Frame Options

- XY080 Seat taper design

i Specify width mm

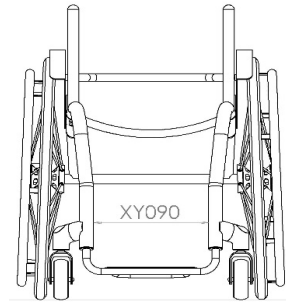
(When combined with **XY091**, dimension is inbetween the centre of the main bends)



- XY091 Parallel taper design

i Specify width mm

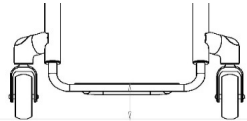
(When combined with XY080, dimensions must be smaller by 20mm)



Footrest Design

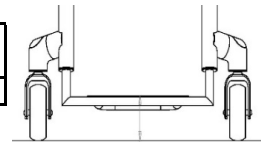
- XY100 Round design

Castor Wheel Size	Max Height Achievable
4"	120



- XY105 Square design
***Non certified Sub4 option**

Castor Wheel Size	Max Height Achievable
4"	130mm



Footrest Measurements

- XY115 Front footrest height

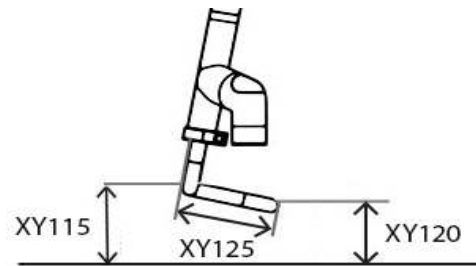
! mm

- XY120 Rear footrest height

i mm (Std = 20 lower than front height)

- XY125 Footrest length

i mm
Maximum length 140mm (Certified weight)
(160mm and over requires heavy duty upgrade XB150)



Footrest Style

- XB010 Tubular aluminium footrest
(Height adjustable)

- XB020 Tubular titanium footrest
(Height adjustable) **(*Non-certified option*)**

Footrest Cover

- XB045 Lightweight carbon fibre cover
(With weight saving cut-out)



- Footplate width Sub4 certified
(Std if no option selected)

- Footplate width Standard (optimised plate width)
***non certified Sub4 option**

CASTOR WHEELS, FORKS & WHEEL LOCKS

Castor Wheels

- XC135 Frog legs aluminium centre 4"x1.25"
Choose colour below:



- | | |
|--|---|
| <input type="checkbox"/> Silver hub & black tyre (Std) | <input type="checkbox"/> Green hub & black tyre |
| <input type="checkbox"/> Black hub & black tyre | <input type="checkbox"/> Red hub & black tyre |
| <input type="checkbox"/> Purple hub & black tyre | <input type="checkbox"/> Blue hub & black tyre |

- SBTXC137 Frog Legs carbon composite centre 4"x1.25"
(Black hub & black urethane tyre)

Castor Forks

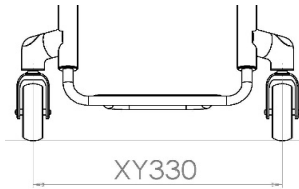
- XC190 Low ride castor fork

Note: colour follows accent

Castor Pin Width

- XY330 Castor pin width

- Optimise measurements
(Minimum width for clear castor rotation and maximum wheelbase length)


 mm


Wheel Lock Options

- SBTXD036 Compact scissor with lightweight fixing
- XD010 Omit wheel locks

SIDEGUARDS

Sideguard without Fender

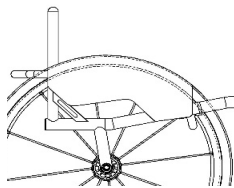
- XE055 Screw on lightweight carbon fibre

Sideguard Measurements

- Individual above tyre (Follow tyre - max. 25mm)


 mm

- Level with tyre (Follow tyre)



Sideguard with Fender

- XE065 Screw on lightweight carbon fibre with fender

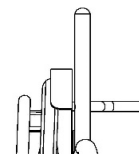
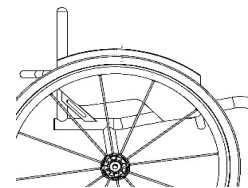
Sideguard Measurements

- 10mm above tyre (Standard)

- Individual above tyre (Min = 10mm)


 mm

- Centre of tyre

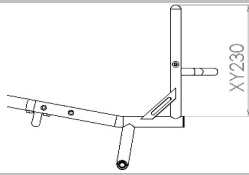


BACKREST

Backrest Height - Fixed

 XY230 Fixed backrest height

Specify height

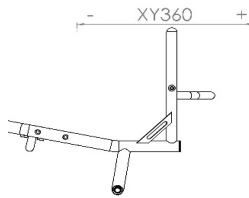
 mm

 XG010 Fixed Backrest (non-folding)

Ergonomics - Rearward Positioning (Choose One)

 XY360 Backrest angle

 -5 -3 0 +3 +5

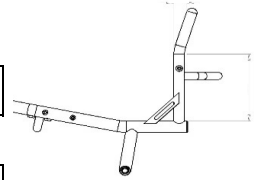
Individual

 Deg
(Max -10/+20 Deg)

 XG100 Ergonomic backrest

Vertical height

 mm

Rearward position

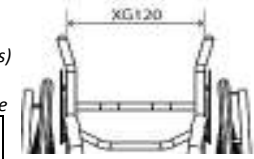
 mm

 XG110 Inward taper
(inside of backrest posts)

Specify width or per side

 mm

 XG120 Outward flare
(inside of backrest posts)

Specify width or per side

 mm


CAMBER BAR

Camber Angle

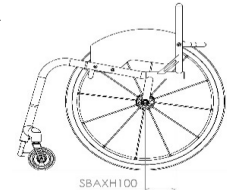
 XY390 Camber angle

 1 2 3

Centre of Gravity

 SBTXH100 Single post fixed centre of gravity
(25-125mm)

Specify length

 mm


FRAME FINISH OPTIONS

Frame and Footrest

 SBTXN030 Beadblast frame

 SBTXN050 Polished frame

Accent Colour (Choose One)

Note: Accent colour includes forks & decals.


-
- Black accent
-
-
- Red accent
-
-
- Purple accent

-
- Silver accent
-
-
- Blue accent
-
-
- Carbon accent
-
- (Castor caps only, black for rest)

 XN250 Individualise Accent Colour
\$110

UPHOLSTERY

Seat Upholstery

 XP045 Seat sling Sub4 adjustable tension

Backrest Upholstery

 XP035 Airtech Sub4 backrest strap adjustable

 XP050 Airtech backrest strap adjustable ***Non Sub4 option**

Backrest Upholstery Stitching Options

- | | | | |
|---------------------------------|-------------------------------------|---------------------------------|--|
| <input type="checkbox"/> Silver | <input type="checkbox"/> Black | <input type="checkbox"/> Blue | <input type="checkbox"/> Individual: _____ |
| <input type="checkbox"/> Red | <input type="checkbox"/> Light blue | <input type="checkbox"/> Purple | _____ |

Backrest Upholstery Logo Colour

- | | | | |
|--------------------------------------|-------------------------------------|---------------------------------|--|
| <input type="checkbox"/> White (Std) | <input type="checkbox"/> Black | <input type="checkbox"/> Blue | <input type="checkbox"/> Individual: _____ |
| <input type="checkbox"/> Red | <input type="checkbox"/> Light blue | <input type="checkbox"/> Purple | _____ |

REAR WHEELS (* non certified weight options)

Rear Wheel Size

- XY420 24" Wheels
 XY430 25" Wheels

Rear Wheel Gap

- XY460 Rear wheel gap
- 15
 20
 25
-

Rear Wheel Options

- XK075 Spinergy **BLXL** 18 blade spoke
 SBTXX150 Spinergy **CLX** 18 carbon blade spoke
- XK226 Titanium 100mm quick release axle pins

Spinergy Colour Options:

- Black spokes
 White spokes
 XK180 Individualised spoke design (Specify colour)
Inside: _____
Outside: _____
- Red spokes
 Blue spokes
- Purple spokes
 Green / Black hub
- Yellow spokes
 Orange spokes
- Pink spokes

Spinergy Anodise Options

- XK201 Red hub (LX, XLX & BLXL only)
 XK190 Black hub (Std Option)
 XK204 Gold hub/rims (LX, XLX & BLXL only)
 XK204 Individualised hub/rims Select colour: _____
- XK202 Purple hub/rims (LX, XLX & BLXL only)
 XK203 Blue hub/rims (LX, XLX & BLXL only)
 XK200 Silver hub/rims (LX, XLX & BLXL only)

Handrim Position/ Options

- XY480 Narrow set handrim
 XY485 Wide set handrim
- XL090 Remove excess mounting tabs (recommended for small wheel gaps)

Handrim Styles

- XL010 Aluminium hard anodised 6 tab
 XL040 Titanium 6 tab
- XL160 Elipse 6 tab
 XL050 Stainless steel 6 tab
- XL020 Tetra grip 6 tab
 XL140 Ergo gripp 6 tab wide
- XL100 Para grip 6 tab

Tyre Options

- XM060 Schwalbe One (Lightest option)
- XM010 Kenda
 Grey (Std)
 Blue
 Red
- XM130 Kenda black
- XM020 Schwalbe Marathon Plus
- XM040 Shox solid airless
 XM050 Kenda K885 mountain bike tyre (24", 25" only)

Inner Tube Valve Options

- XY500 Schraeder inner tube valve (Standard if no option selected)
 XY490 Presta inner tube valve

* Indicates items that are not part of the certified weight of the Tiga Sub4

CUSHION (** non certified weight options)

Cushion foam options

- XP080 Cushion foam with nylon cover
\$75 (select density and size below)
- Soft (CMS040) Medium (CMS050) Hard (9lb recon)
- 50mm 75mm 100mm

Cushion cover upgrades

- XP085 Nylon cushion cover XP090 Airlite cushion cover
- XP100 Leather cushion cover
- Black (Std) Red

Jay Products

- JAY Cushion
(Price dependant on size / option)
- JAY Backrest
(Price dependant on size / option)
- JAY Whitmyer Headrest
(Price dependant on size / option)

FRAME OPTIONS (** non certified weight options)

- XR060 Welded calf strap mounting loops
(To locate calf strap on front frame)

Specify height from floor

- Optimise measurements



ACCESSORIES (** non certified weight options)

- XR080 Frontwheel assembly
(Only with XB010, TGAXB080, XB150)
- XP120 Frame protectors Neoprene zip fasten (Black)
- XP420 Frame protectors Nylon velcro fasten (Black)
- XR010 Seat pouch velcro attach (Black)
- XR200 Rucksack with RGK logo (Black)
- XR020 Underseat large storage bag (Black)
- XR090 Tool kit XS065 Sub4 Calf Strap

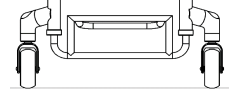
** indicates options that, when chosen, will not enable RGK to guarantee a Sub4kg product weight

OTHER (** non certified weight options)

Footrest

 XB200 High level footrest

Please indicate front footrest height:


 mm


Castor wheels Size

 XC140 Aluminium centre 5"x1.4"

 XC145 Aluminium centre 6"x1.4"
(Silver hub and black tyre)

 XC150 Aluminium centre 3"x1.4"

Wheel Lock Options

 XD020 Underseat scissor

 XD050 Push to lock

Sideguards

 XE030 Screw on aluminium, indicate size on page 4

Backrest Options

 SBTXG020 Folding backrest with 2 position snap lock and angle adjust

Push handle Options

 XG070 Screw in push handles

 XG080 Flip down push handles

Centre of Gravity

 SBTXH130 Square back adjustable centre of gravity
(25-125mm)

 SBTXH140 Round back adjustable centre of gravity
(60-125mm)

Anti-Tip Options

 XJ100
\$375 Single sport anti tip
(required to change to Adjustable axle)

Seat Plate

 XR050 Carbon fibre seat plate

Backrest Upholstery Leather Options (only with XP050)

 XP070 Backrest upgrade to leather corners (Black)
(only with Airtech upholstery (XP050))

Backrest Accessories (only with XP050)

 XP110 Backrest with zip pocket

 XP170 Individual backrest embroidery
(Please provide .jpeg file and positioning)

** indicates options that, when chosen, will not enable RGK to guarantee a Sub4kg product weight

