

# Quickie Z500 Mini Spare Parts



**SPARE  
PARTS  
GUIDE**

**medifab<sup>®</sup>**

MEDIFAB.COM

Version 1, July 2022

# Contents

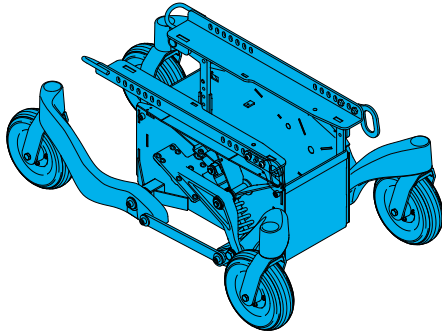
Base	4
Suspension	4
Castors	6
Drive Wheel	7
Motors	8
Shrouds	8
Mudguards	8
Colour Accent Kit	9
Tilt & Lift Cassette	9
Assembly	9
Parts	9
Zippie Asap Seating	10
Seat Base	10
Folding Back Canes	12
Fixed Back Canes	13
Single Post Arm Rest	15
Dual Post Arm Rest	16
Swing In/Out Leg Rests	17
Fixed Centre Mount Foot Rest	19
Angle Adjustable Center Mount	20
Joystick	22
CJSM2	22
CJSM1	23
LED	23
Mounts	23
Parts	25
Attendant Joystick	28
Attendant Mounting System	28

<b>Accessory Electronics</b>	<b>28</b>
<b>RNET Cables</b>	<b>30</b>
<b>Bus Cables/Harness</b>	<b>30</b>
<b>Battery Harness</b>	<b>31</b>
<b>Wiring</b>	<b>32</b>

# Base

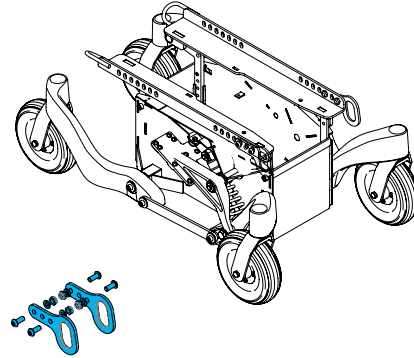
**1600-168109**

Quickie/Zippie Power, Mini Base Complete Base, including Suspension, Casters, Seat interface and Tie Downs

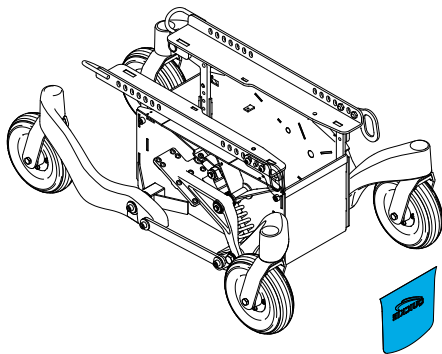


**1600-168199**

Quickie/Zippie Power, Mini Base Tie Down Kit, Front Tie downs Only



Quickie/Zippie Power, Mini Base \_\_\_\_\_ Carbon Colour Effect

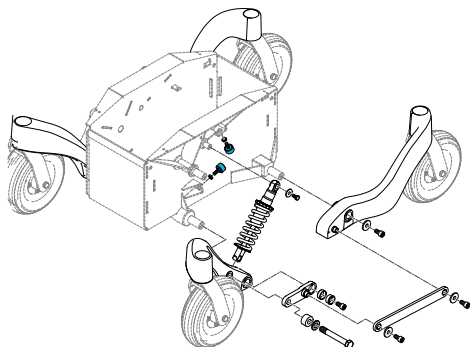


Colours	Product Codes
	1600-254004
	1600-254005
	1600-254006
	1600-254007

# Suspension

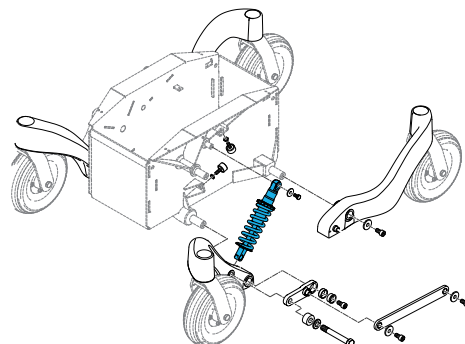
**1600-2150130**

Quickie/Zippie Power, Mini Base Suspension Rubber Bumper Kit



**1600-2151500**

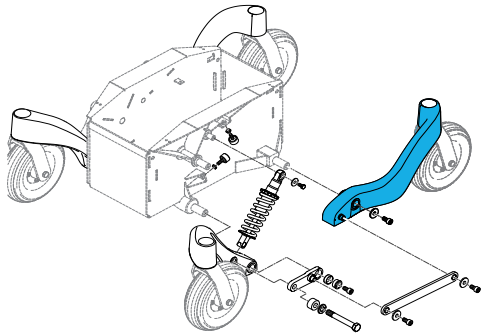
Quickie/Zippie Power, Mini Base Suspension Spring 350 LBs





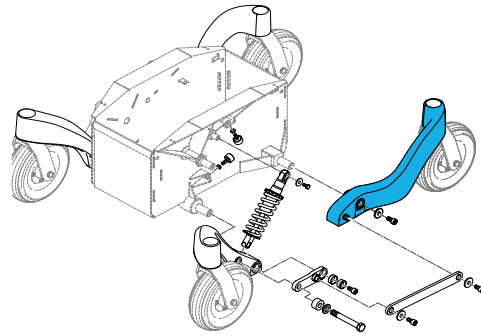
1600-21501046-021

Quickie/Zippie Power, Mini Base Rear Left Caster Arm Assembly, Black Textured



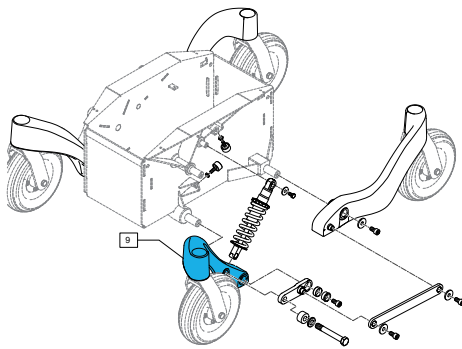
1600-21501046-022

Quickie/Zippie Power, Mini Base Rear Right Caster Arm Assembly, Black Textured



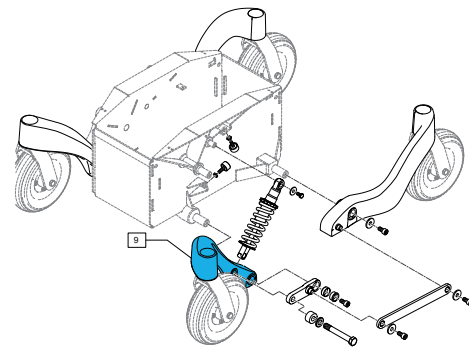
1600-21501042-022

Quickie/Zippie Power, Mini Base Front Left Caster Arm Assembly, Black Textured



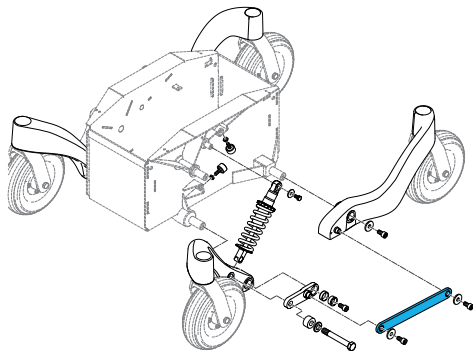
1600-21501042-021

Quickie/Zippie Power, Mini Base Front Right Caster Arm Assembly, Black Textured



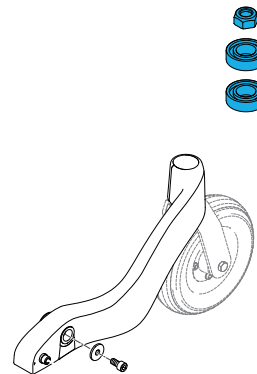
1600-21501034-001

Quickie/Zippie Power, Mini Base Suspension Midlink, Connects Front Suspension arm to Left Suspension Arm



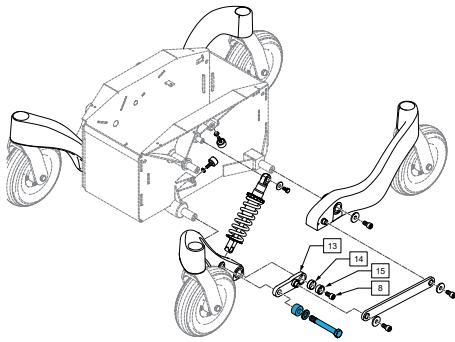
1600-21501036

Quickie/Zippie Power, Mini Base Caster Bearing Kit, Includes 2 Bearings & 1 Nut



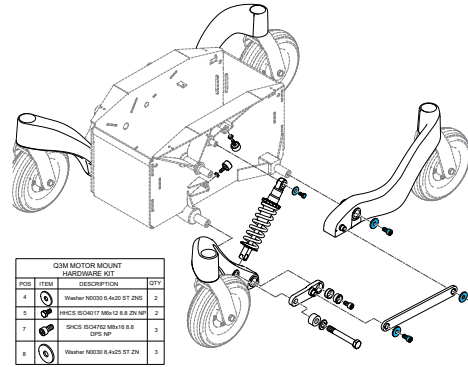
**1600-21501037**

Quickie/Zippie Power, Mini Base Front Suspension Stop Bushing Kit



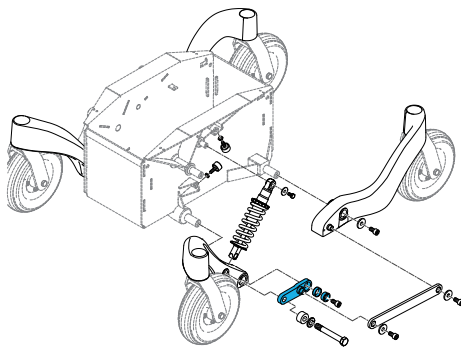
**1600-21501038**

Quickie/Zippie Power, Mini Base Screw Suspension



**1600-168248**

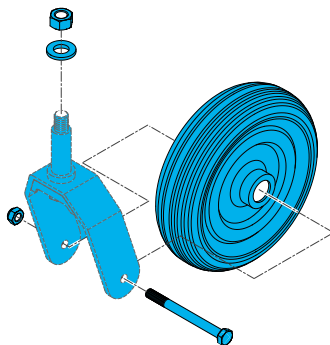
Quickie/Zippie Power, Mini Base Suspension Hardware Kit



# Castors

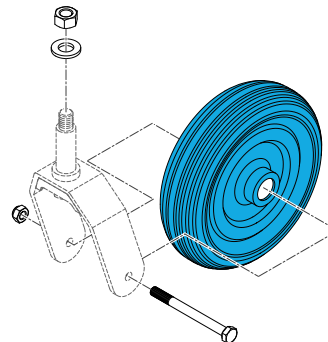
**1600-247565**

Quickie Power, 7" Solid Castor and Fork Assembly



**1600-247566**

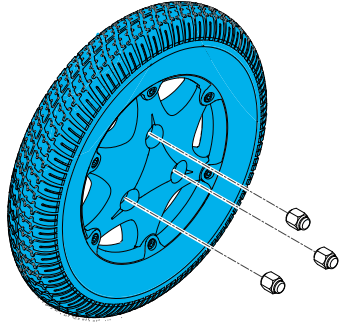
Quickie Power, 7" Castor incl Hardware, Per each



# Drive Wheel

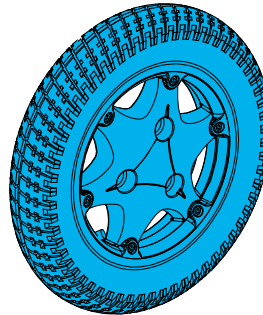
**1600-243578**

Quickie Power, 13" Drive Wheel with 2.5" Knobby Black Dual Density (Solid) Tires with Rounded Tread, Per Each



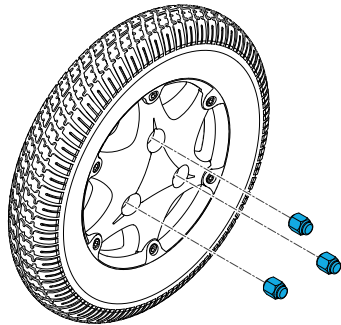
**1600-244823**

Quickie Power, 13" Pneumatic Drive Wheel with rounded tread, Per Each



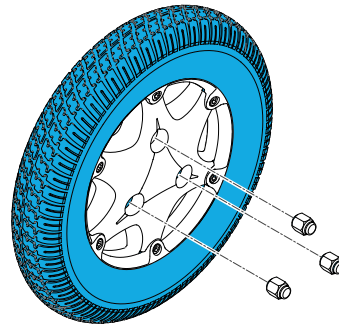
**1600-161965**

Quickie Power, Lug Nut Set (set of 3)



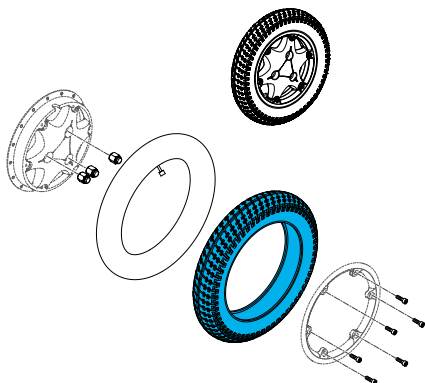
**1600-126537**

Quickie Power, 13" Knobby Dual Density (Solid) Tire Only with Rounded Tread, Per Each



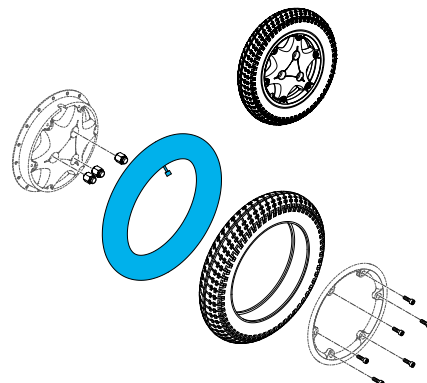
**1600-247671**

Quickie Power, 13" Drive Wheel, 2.5" Pneumatic Tyre only with Rounded Tread, Per Each



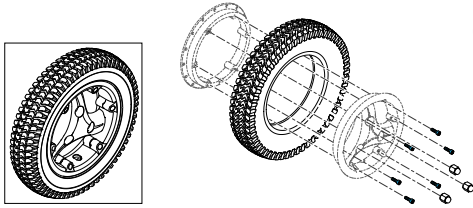
**1600-249809**

Quickie Power, 13" Drive Wheel Pneumatic Tube only, Per Each



**1600-163240**

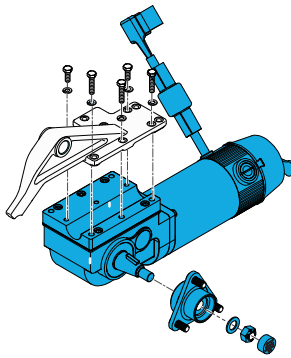
Quickie Power, Drive Wheel Hardware Kit (set of 6)



# Motors

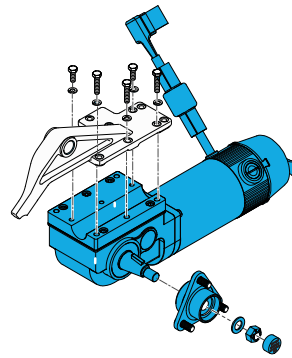
**1600-250287**

Quickie Power, Mini Base 4 Pole 10 kph Motor Right Side



**1600-250286**

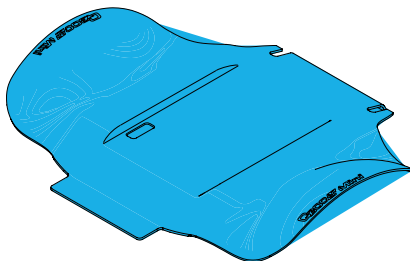
Quickie Power, Mini Base 4 Pole 10 kph Motor Left Side












# Shrouds

# Mudguards

Quickie/Zippie Power, Mini Base (Specify Model) Main Shroud \_\_\_\_\_









Colours	Product Codes
	1600-168112
	1600-168113
	1600-168114
	1600-168115
	1600-168113
	1600-168195
	1600-168196
	1600-168197
	1600-168198

# Colour Accent Kit

Quickie Power, Q500M Colour Accent Kit \_\_\_\_\_



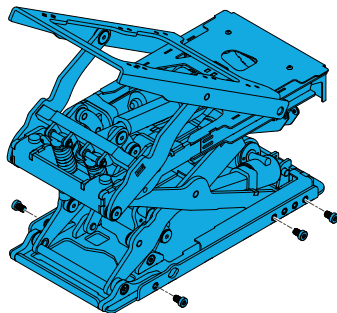
Colours	Product Codes
	1600-161948
	1600-161949
	1600-161950
	1600-161951
	1600-161952
	1600-161953

# Tilt & Lift Cassette

## Assembly

**1600-163327**

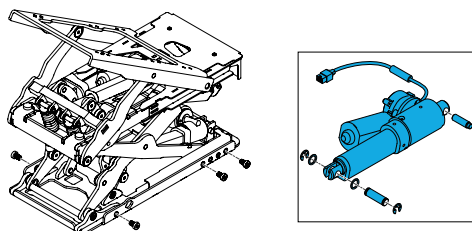
Quickie Power, Sedeo Pro Tilt/Lift Combi Seating Cassette Complete Assembly with Fasteners



## Parts

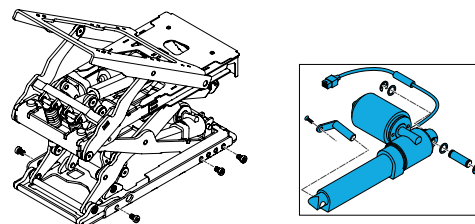
**1600-163476**

Quickie Power, Sedeo Pro Tilt Actuator Only With Fasteners



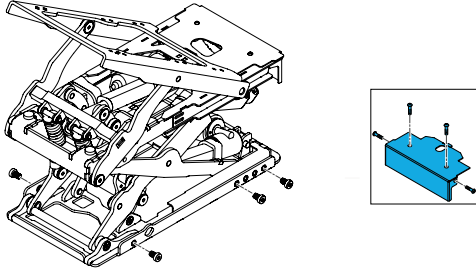
**1600-163477**

Quickie Power, Sedeo Pro Lift Actuator Only With Fasteners



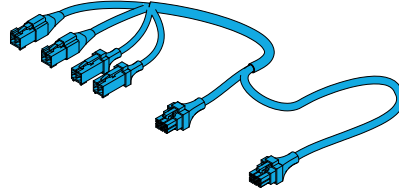
1600-20010139

Quickie Power, Sedeo Pro Seating Cable track Cover only  
Incl mounting Fasteners



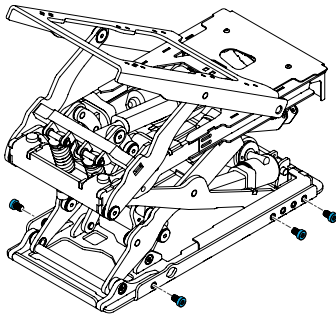
1600-248517

Quickie Power, Sedeo Pro Tilt/Lift Combo Harness  
Wiring



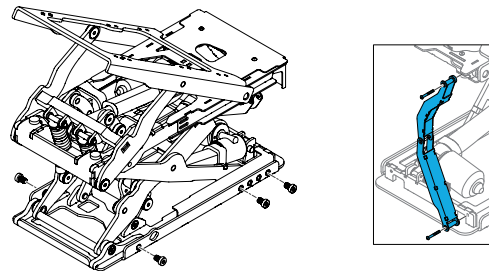
1600-248502

Quickie Power, Sedeo Pro Cassette Mounting Bolts  
M8\*125\*12



1600-20010137

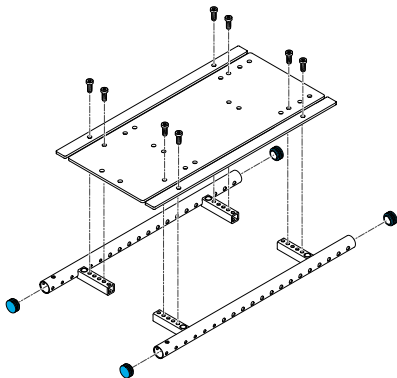
Quickie Power, Sedeo Pro Cassette Cable Track Incl  
mounting Fasteners



## Zippie Asap Seating Seat Base

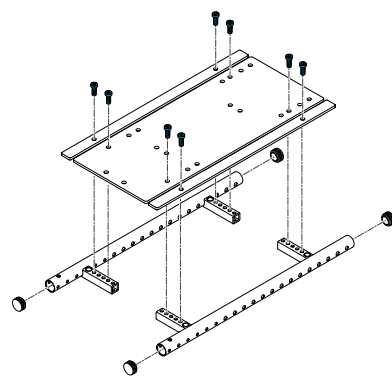
1600-119372

Zippie Power, Asap Seat Rail 1" End Plug, per each



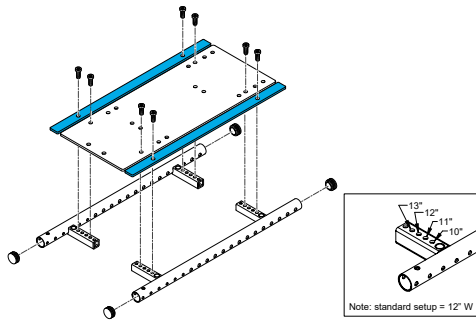
1600-116576

Zippie Power, Shoulder Head Cap Screw M8x1.25x21



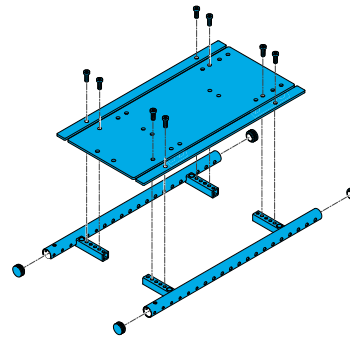
**1600-126835**

Zippie Power, Asap Seating Width Filler, For use with 13" Wide Seating



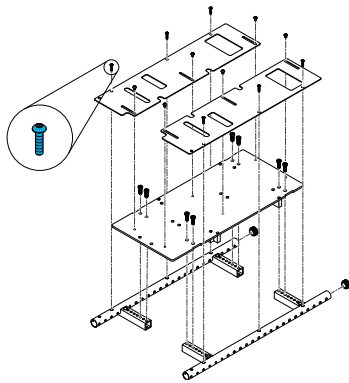
**1600-126836**

Zippie Power, Asap Seating Base, Complete Width Adjustable Seat 10-13" Wide with Hardware



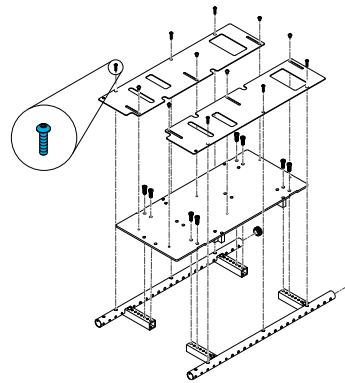
**1600-230497**

Zippie Power, M5 8x20mm Button Head Cap Screw



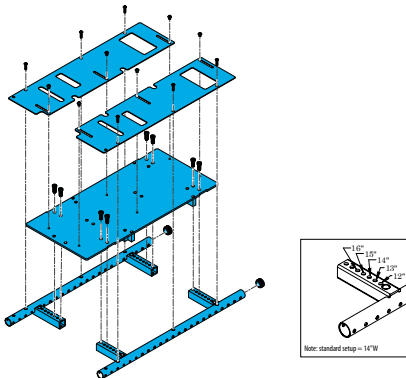
**1600-102262-001**

Zippie Power, M6x1x8 Button Head Cap Screw



**1600-129012**

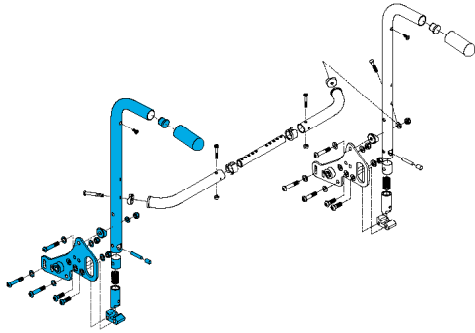
Zippie Power, Asap Seating Base, Complete Width Adjustable Seat 12-16" Wide with Hardware



# Folding Back Canes

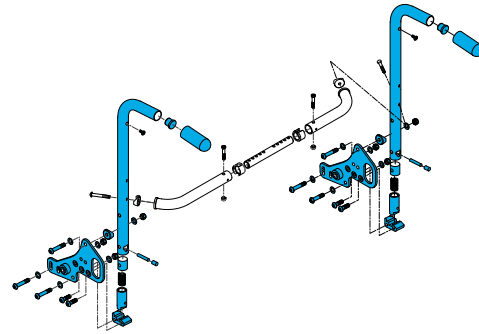
**1600-160658**

Zippie Power, Asap Seating Folding Back Cane, Medium, Left Side



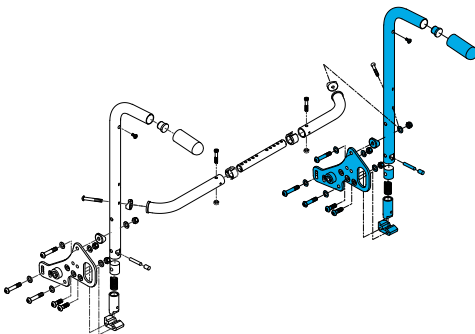
**1600-16065**

Zippie Power, Asap Seating Folding Back Cane, Medium, Pair - Does not include Towel Bar



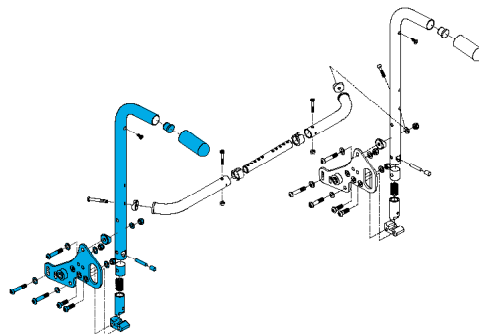
**1600-160659**

Zippie Power, Asap Seating Folding Back Cane, Medium, Right Side



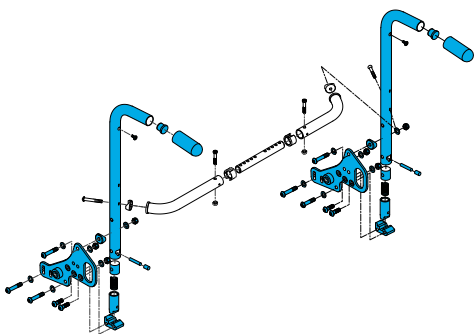
**1600-160660**

Zippie Power, Asap Seating Folding Back Cane, Tall, Left Side



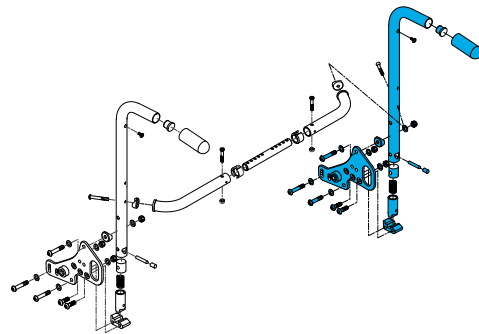
**1600-16066**

Zippie Power, Asap Seating Folding Back Cane, Tall, Pair - Does not include Towel Bar



**1600-160661**

Zippie Power, Asap Seating Folding Back Cane, Tall, Right Side

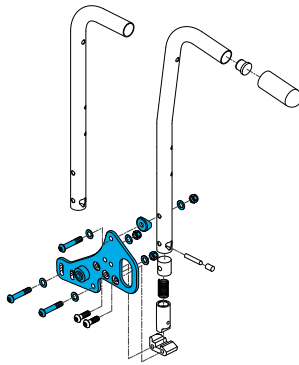




# Fixed Back Canes

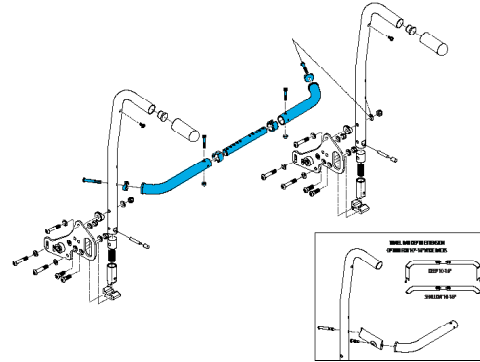
**1600-163581**

Zippie Power, Asap Seating Back Cane Mount, Transit  
Bracket Pair; Includes Hardware Both Sides



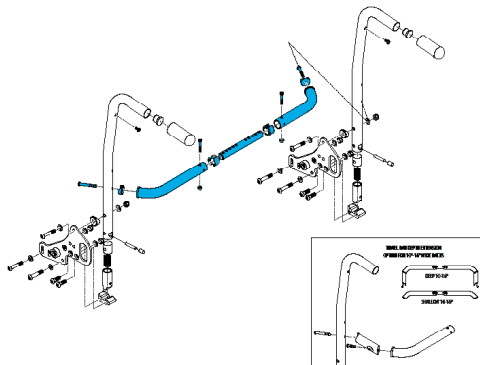
**1600-118645**

Zippie Power, Asap Seating Back Towel Bar 12-16"  
Wide Shallow Assembly



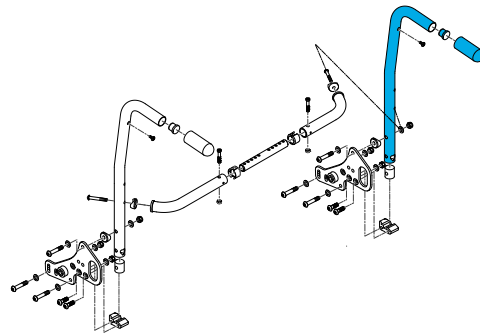
**1600-118646**

Zippie Power, Asap Seating Back Towel Bar 10-13"  
Wide Shallow Assembly



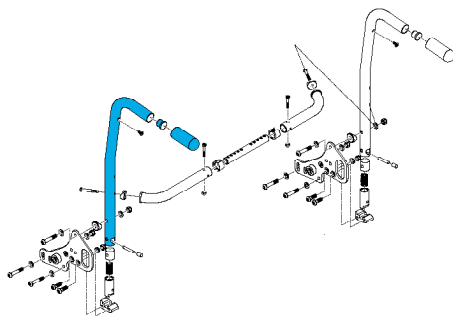
**1600-842223**

Zippie Power, Asap Seating Back 8 Degree Folding  
Push Handle, Right Side, Medium Assembly



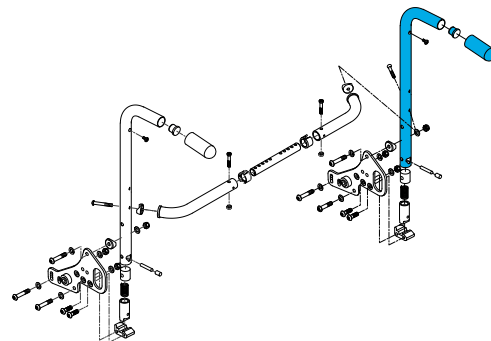
**1600-842224**

Zippie Power, Asap Seating Back 8 Degree Folding Push  
Handle, Left Side, Medium Assembly



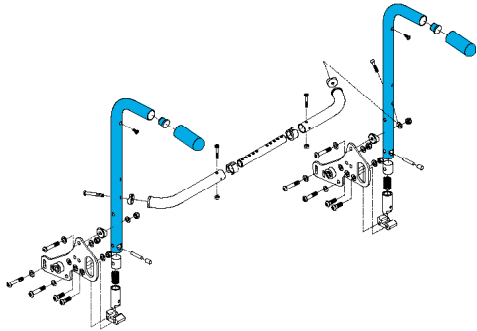
**1600-842229**

Zippie Power, Asap Seating Back Straight Folding Push  
Handle, Right Side, Medium Assembly



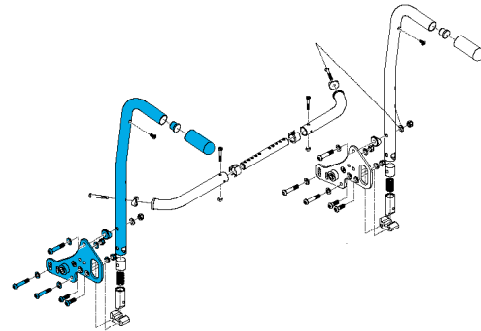
**1600-842230**

Zippie Power, Asap Seating Back Straight Folding Push Handle, Left Side, Medium Assembly



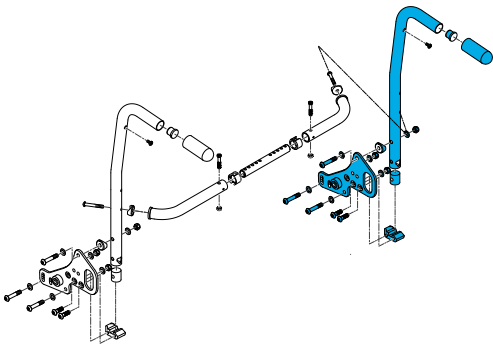
**1600-160642**

Zippie Power, Asap Seating Back, Straight Push Handle and Mount with Transit Kit, Left Side, Medium Assembly



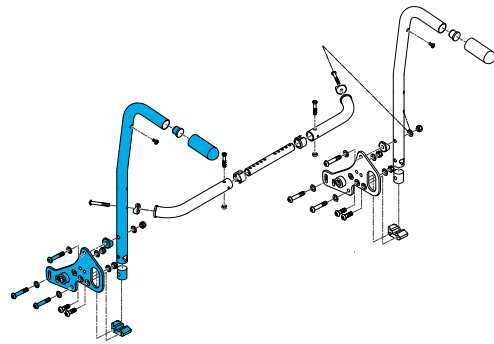
**1600-160643**

Zippie Power, Asap Seating Back, Straight Push Handle and Mount with Transit Kit, Right Side, Medium Assembly



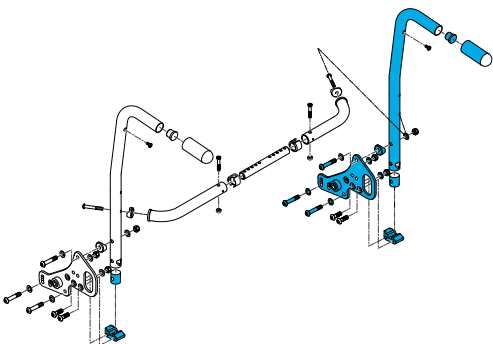
**1600-160648**

Zippie Power, Asap Seating Back, 8 Degree Push Handle and Mount with Transit Kit, Left Side, Medium Assembly



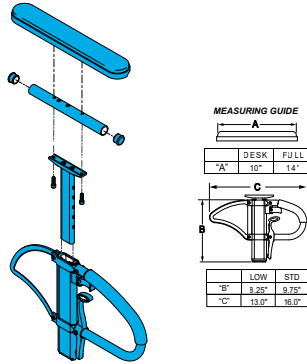
**1600-160649**

Zippie Power, Asap Seating Back, 8 Degree Push Handle and Mount with Transit Kit, Right Side, Medium Assembly



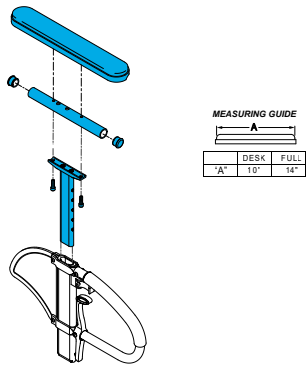
# Single Post Arm Rest

Zippie Power, Asap Seating Single Post, \_\_\_ Armrest with  
 \_\_\_" Length Arm Pad Assembly \_\_\_ Side



Armrest	Length	Side	Product Codes
Standard	Desk (10")	Right	1600-108599
Standard	Desk (10")	Left	1600-108603
Standard	Full (14")	Right	1600-108601
Standard	Full (14")	Left	1600-108605
Low	Desk (10")	Right	1600-108600
Low	Desk (10")	Left	1600-108604
Low	Full (14")	Right	1600-108602
Low	Full (14")	Left	1600-108606

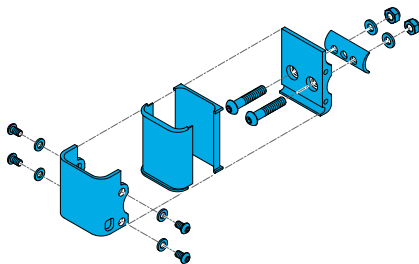
Zippie Power, Asap Seating Single Post Armrest \_\_\_"  
 Length Upper Only \_\_\_ Side



Length	Side	Product Codes
Desk (10")	Right	1600-159600
Desk (10")	Left	1600-159601
Full (14")	Right	1600-159602
Full (14")	Left	1600-159603

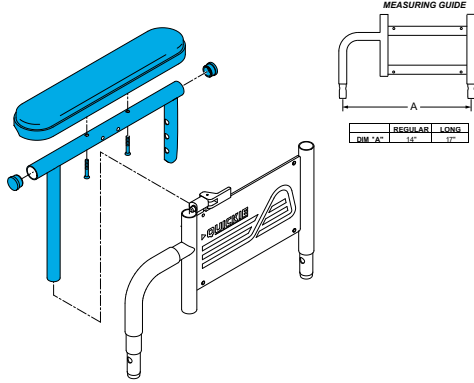
**1600-118872**

Zippie Power, Asap Seating Single Post Armrest  
 Receiver



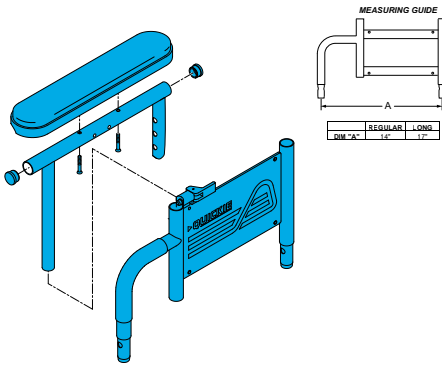
# Dual Post Arm Rest

Zippie Power, Asap Seating Height Adjustable Dual Post Armrest Upper with \_\_\_\_\_ " Length Arm Pad \_\_\_\_ Side



Length	Side	Product Codes
Desk (10")	Right	<b>1600-881446</b>
Desk (10")	Left	<b>1600-881447</b>
Full (14")	Right	<b>1600-881448</b>
Full (14")	Left	<b>1600-881449</b>

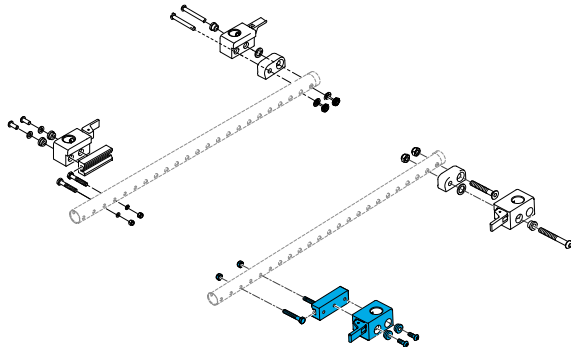
Zippie Power, Asap Seating Height Adjustable Dual Post \_\_\_\_ Armrest Assembly with \_\_\_\_\_ Length Arm Pad \_\_\_\_ Side



Length	Side	Product Codes
Desk (10")	Right	<b>1600-881572</b>
Desk (10")	Left	<b>1600-881573</b>
Desk (10")	Right	<b>1600-881574</b>
Desk (10")	Left	<b>1600-881575</b>
Full (14")	Right	<b>1600-881576</b>
Full (14")	Left	<b>1600-881577</b>
Full (14")	Right	<b>1600-881578</b>
Full (14")	Left	<b>1600-881579</b>

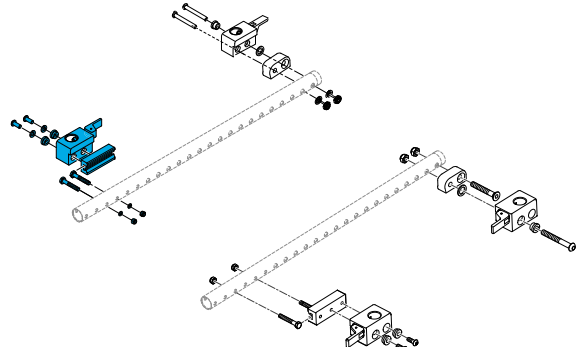
**1600-120652**

Quickie Power Dual post Armrest Receiver Assembly Front  
Left



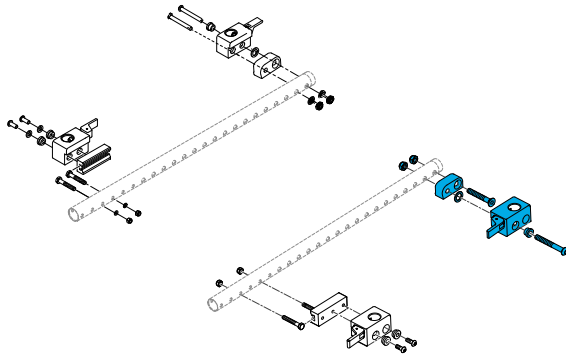
**1600-120651**

Quickie Power Dual post Armrest Receiver Assembly Front  
Right



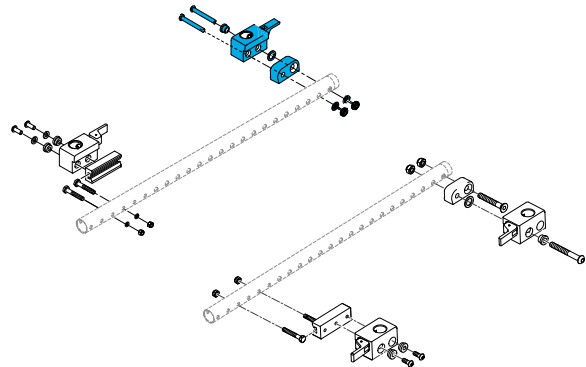
**1600-120654**

Quickie Power Dual post Armrest Receiver Assembly  
Rear Left



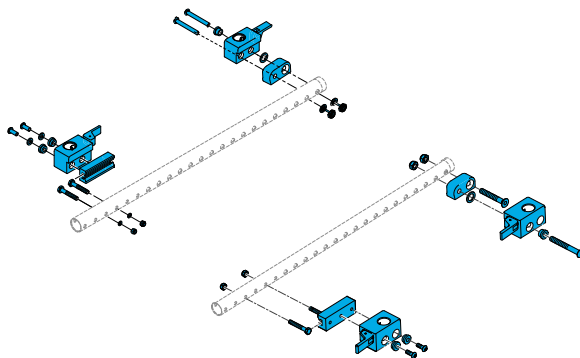
**1568-120653**

Quickie Power Dual post Armrest Receiver Assembly  
Rear Right



**1568-5683-100**

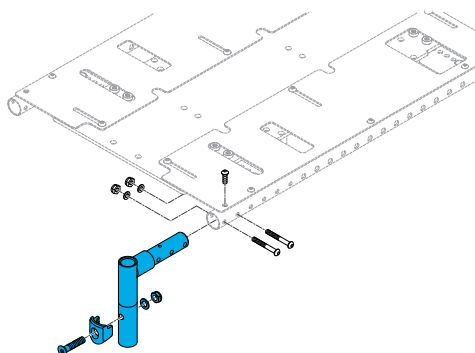
Quickie/Zippie Iris Dual Post Height Adjustable Flip  
Back Armrest Receiver Kit



## Swing In/Out Leg Rests

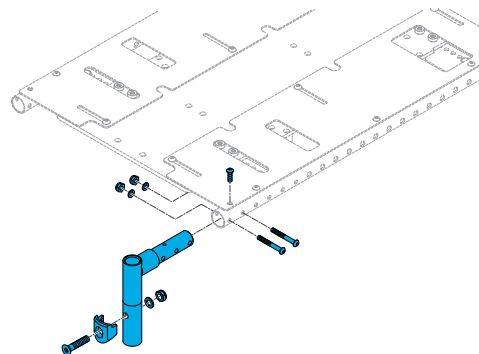
**1600-130310**

Zippie Power, Plunger Style, Swing In/Out Hanger Receiver

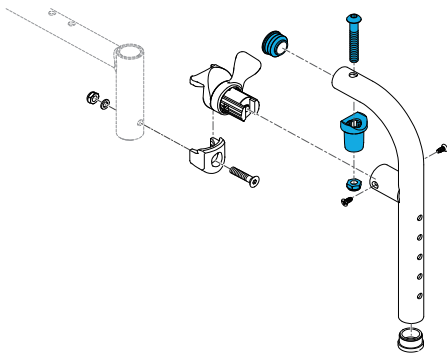


**1600-158619**

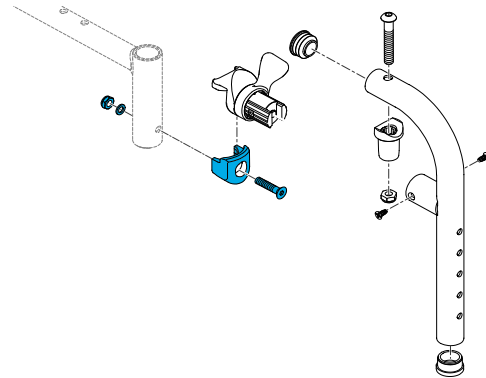
Zippie Power, Plunger Style, Swing In/Out Hanger Receiver  
Assembly with Hardware



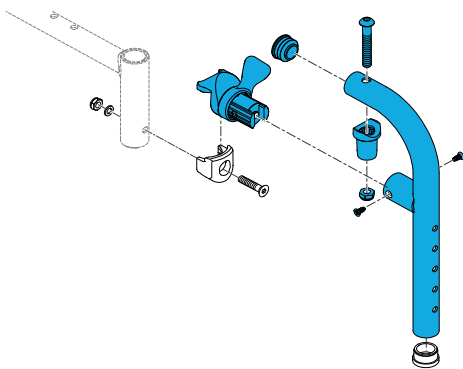
**1600-119518**  
Quickie, Hanger, Pivot Saddle Kit



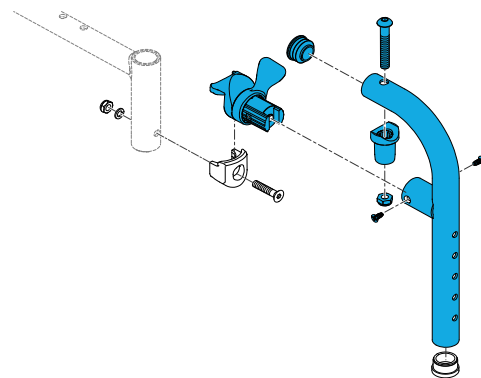
**1568-119514**  
Quickie, Swing in/out Hanger Latch Receiver Kit



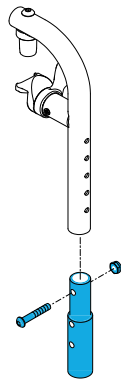
**1568-5090-L99**  
91 Degree Front Mount Hanger Black, Plunger Style,  
Left



**1568-5090-R99**  
91 Degree Front Mount Hanger Black, Plunger Style,  
Right



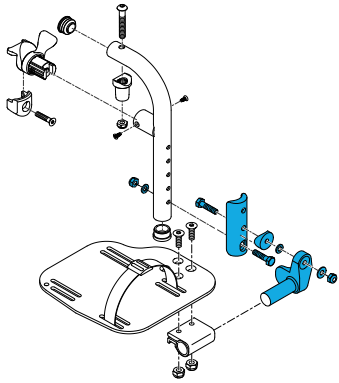
Hanger extension tube for front mount footrest, \_\_\_" (pair)



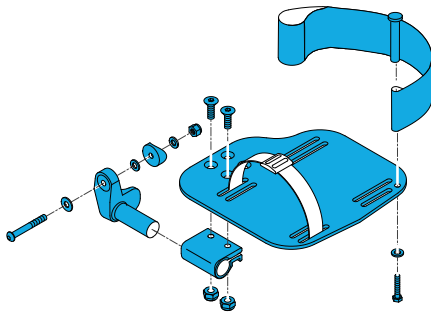
Size	Product Codes
2"	1568-111505
4"	1568-111506
6"	1568-111507

**1568-129764**

Adult Angle Adjustable Front Mount Adapter Kit Pair



Adult Angle Adjustable Footplate Kit \_\_\_\_\_", \_\_\_\_\_ side

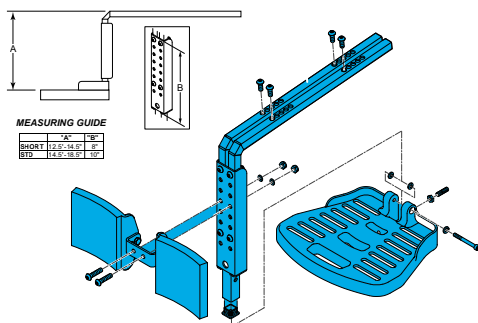


Width	Side	Product Codes
10"-11"	Left	1568-5150-10L
10"-11"	Right	1568-5150-10R
12"-13"	Left	1568-5152-12L
12"-13"	Right	1568-5152-12R
14"-15"	Left	1568-5154-14L
14"-15"	Right	1568-5154-14R
16"-17"	Left	1568-5156-17L
16"-17"	Right	1568-5156-17R
18"-20"	Left	1568-5158-18L
18"-20"	Right	1568-5158-18R

## Fixed Centre Mount Foot Rest

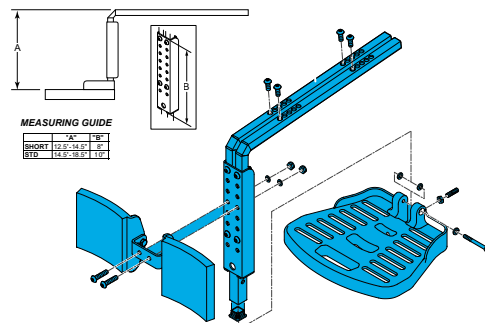
**1600-103135**

Zippie Power Sedeo Lite Centre Mount Footrest Long Assembly



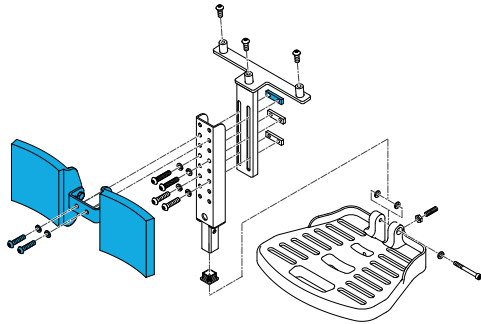
**1600-130309**

Zippie Power Sedeo Lite Centre Mount Footrest Short Assembly



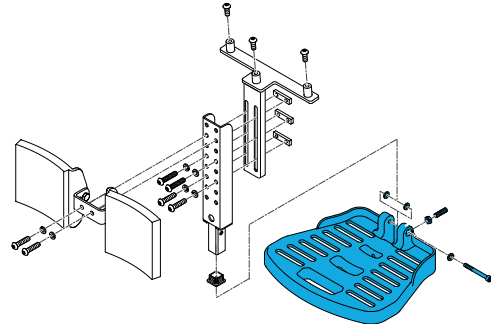
**1600-10318**

Quickie Power, Sedeo Pro/Lite Fixed Centre Mount, Calf Pad and Hardware



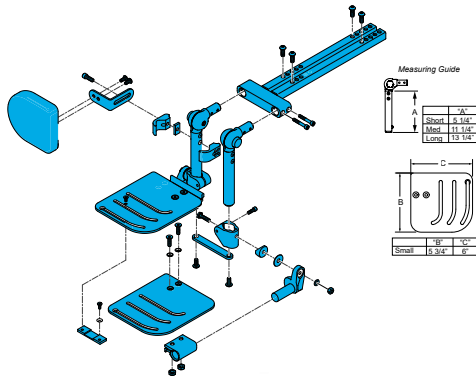
**1600-101685**

Quickie Power, Sedeo Pro/Lite Fixed Centre Mount One Piece Footplate Only



# Angle Adjustable Center Mount

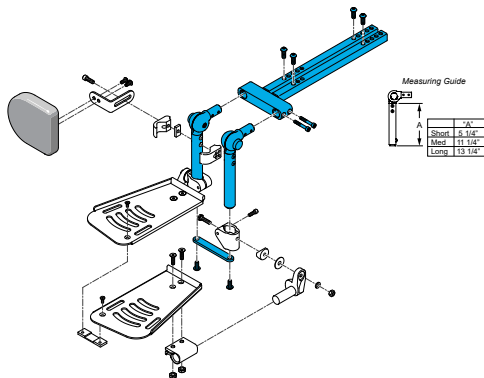
Zippie Power, Asap Seating Angle Adjustable Center Mount, \_\_\_\_\_ with \_\_\_\_\_ Footplate Complete Assembly



Mounts	Footplates	Product Codes
Short	Small	1600-133073
Medium	Small	1600-135267
Large	Small	1600-136496
Medium	Large	1600-135266
Large	Large	1600-136495

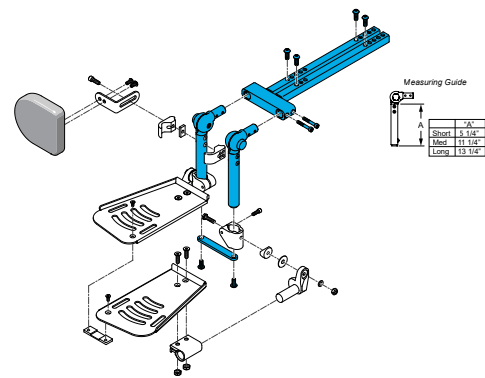
**1600-129028**

Zippie Power, Asap Seating Angle Adjustable Center Mount, Vertical Adjustment Short Assembly Only



**1600-129029**

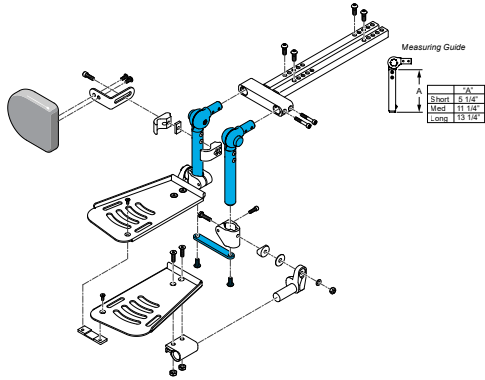
Zippie Power, Asap Seating Angle Adjustable Center Mount, Vertical Adjustment Medium Assembly Only





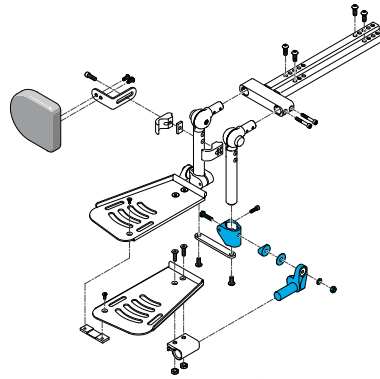
**1600-162446**

Zippie Power, Asap Seating Angle Adjustable Center Mount,  
Vertical Adjustment Large Assembly Only



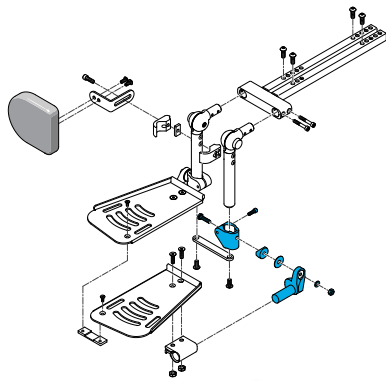
**1600-129030**

Zippie Power, Asap Seating Angle Adjustable Center Mount,  
Footplate Clamp/Mount Assembly, Right Side



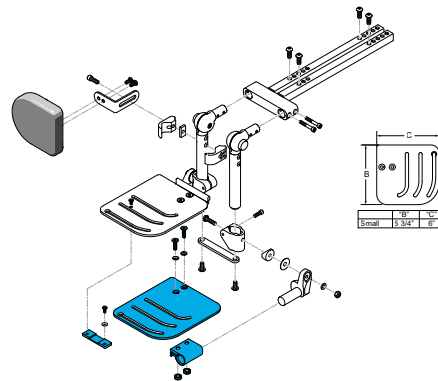
**1600-129031**

Zippie Power, Asap Seating Angle Adjustable Center  
Mount, Footplate Clamp/Mount Assembly, Left Side



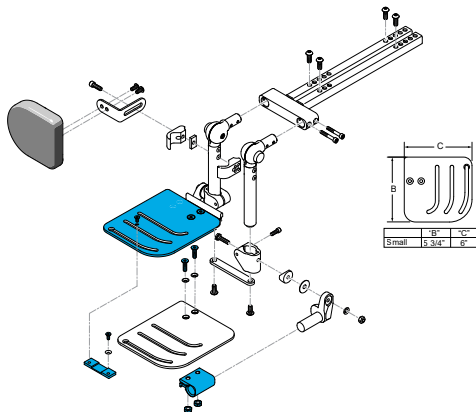
**1600-129032**

Zippie Power, Asap Seating Angle Adjustable Center Mount,  
Small Footplate Assembly, Left Side



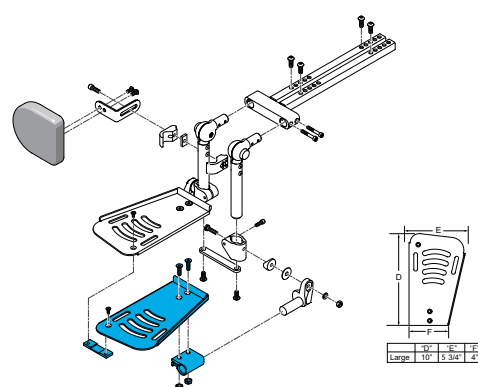
**1600-129033**

Zippie Power, Asap Seating Angle Adjustable Center Mount,  
Small Footplate Assembly, Right Side



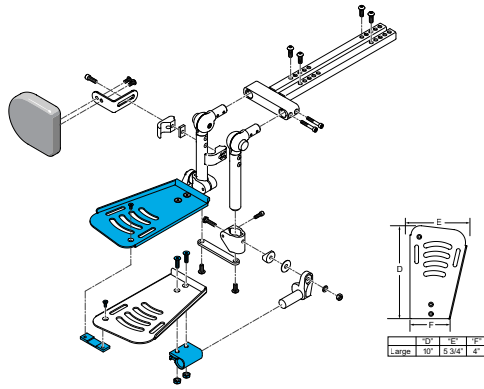
**1600-129034**

Zippie Power, Asap Seating Angle Adjustable Center Mount,  
Large Footplate Assembly, Left Side



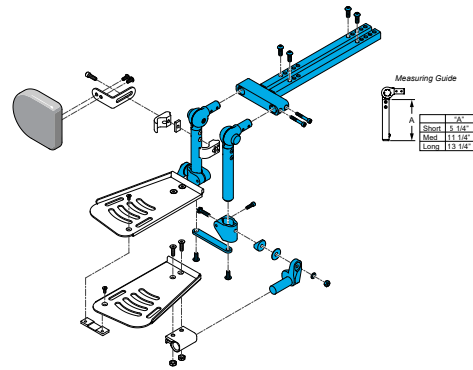
1600-129035

Zippie Power, Asap Seating Angle Adjustable Center Mount,  
Large Footplate Assembly, Right Side



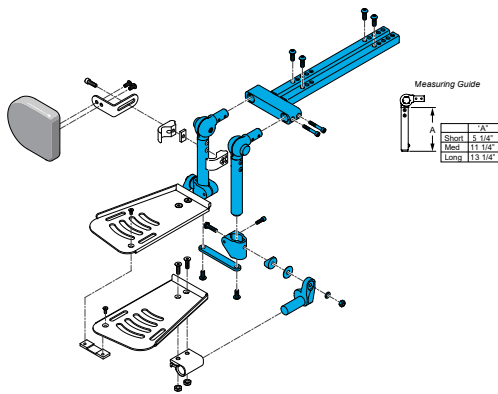
1600-126691

Zippie Power, Asap Seating Angle Adjustable Center Mount,  
Short Assembly Without Footplate



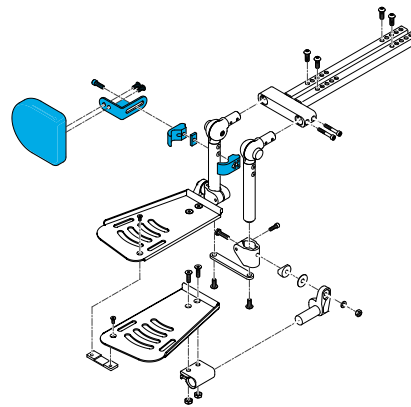
1600-126692

Zippie Power, Asap Seating Angle Adjustable Center Mount,  
Medium Assembly Without Footplate



1600-129041

Zippie Power, Asap Seating Angle Adjustable Center Mount,  
Calf Pad Kit

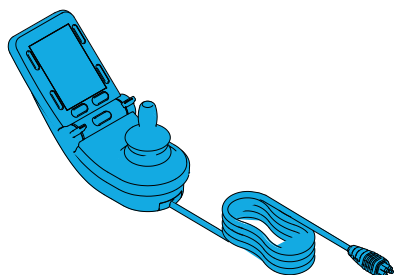


# Joystick

## CJSM2

1615-D51595

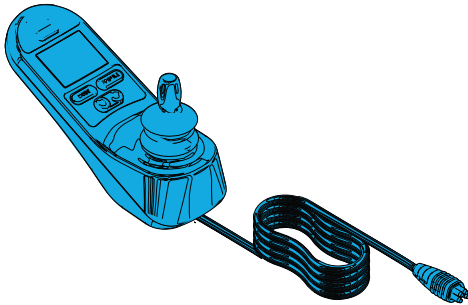
RNET, CJSM2 Joystick, Complete with Mk1 Button  
Keypad



# CJSM1

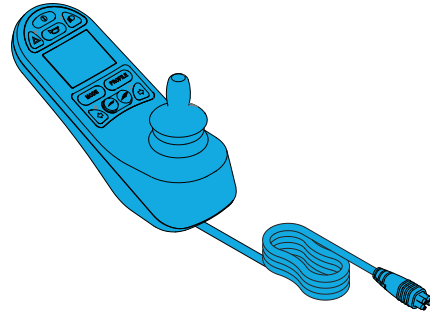
**1615-D51607**

RNET, CJSM Joystick, Complete With Jack Ports (compatible with Actuator Switches)



**1615-D51153**

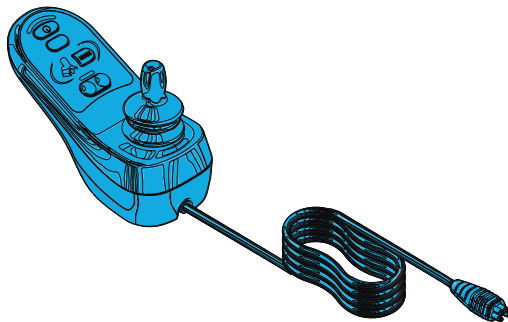
RNET, CJSM Joystick, Complete With Lights and Jack Ports (compatible with Actuator Switches)



# LED

**1615-D51122**

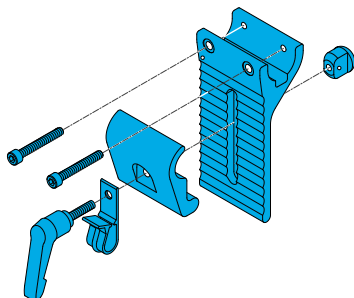
RNET, JSM Joystick, LED basic joystick complete with Jack Ports



# Mounts

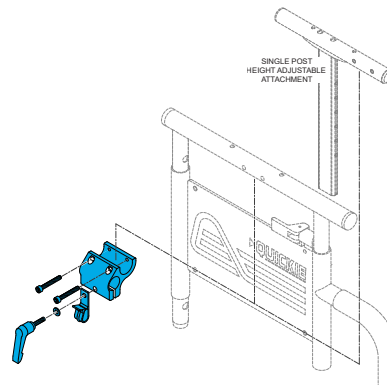
**1600-920738**

Quickie Power Height Adjustable Round Joystick Mount Assembly



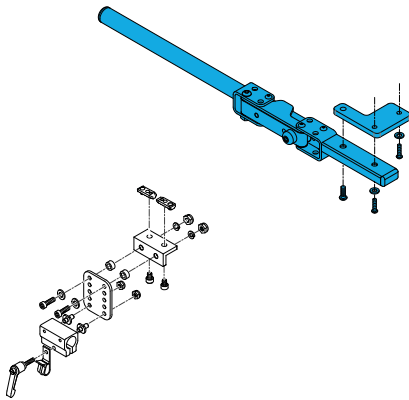
**1600-920713**

Quickie Power Fixed Height Round Joystick Mount Assembly



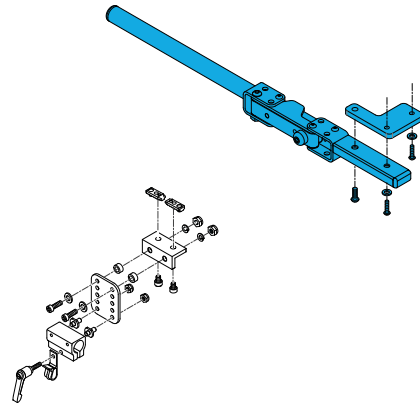
**1600-120593**

Quickie Power, Sedeo Pro & Lite Round Tube Swingaway  
Joystick Mount Assembly Right Side



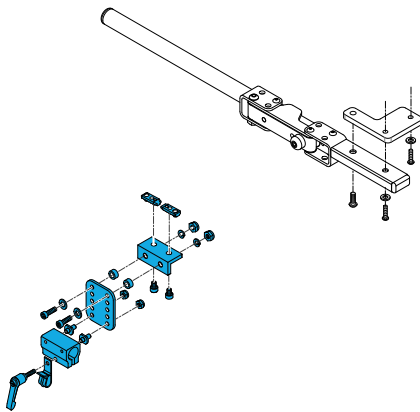
**1600-120594**

Quickie Power, Sedeo Pro & Lite Round Tube Swingaway  
Joystick Mount Assembly Left Side



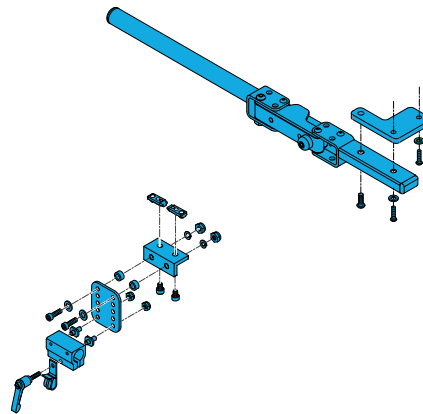
**1600-164202**

Quickie Power, Sedeo Pro Round Joystick Mount Assembly



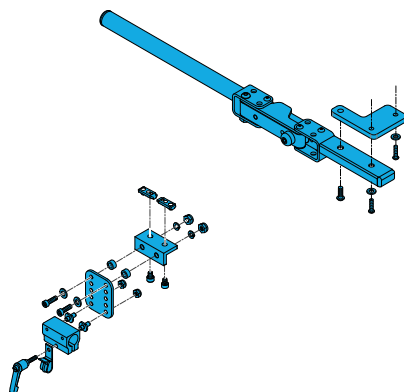
**1600-164204**

Round Joystick Pro Mount Swingaway Assembly RHS



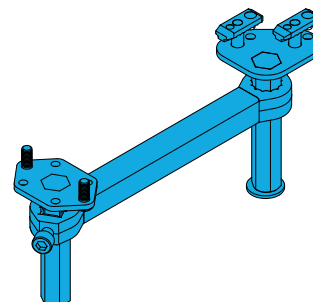
**1600-164203**

Round Joystick Pro Mount Swingaway Assembly LHS



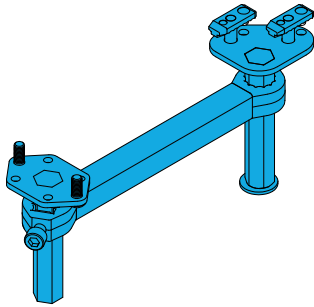
**1600-163449**

Quickie Power, Sedeo Pro & Lite HC Fixed Joystick  
Mount Right Side



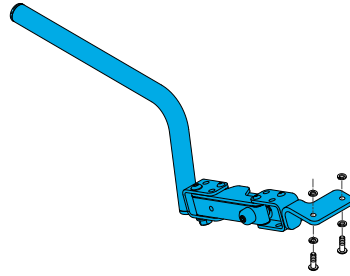
**1600-163450**

Quickie Power, Sedeo Pro & Lite HC Fixed Joystick  
Mount Left Side



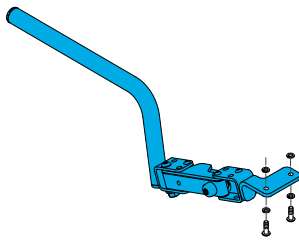
**1600-119262**

Quickie Power, Dipped Swing Away Joystick Arm,  
Round Style, LHS



**1600-119261**

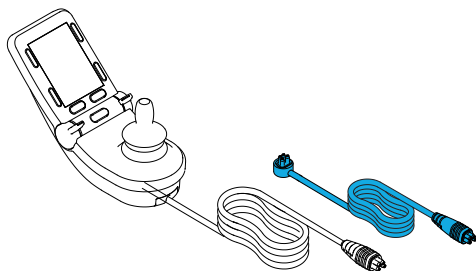
Quickie Power, Dipped Swing Away Joystick Arm,  
Round Style, RHS



## Parts

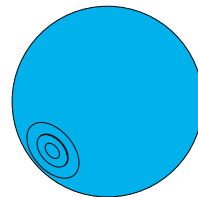
**1615-SA81500L12**

RNET CJSM2, Joystick Spare Part, 90 Deg Input RNET Cable  
120 cm



**1615-SA81095**

RNET Accessory, Joystick Knob, Softball



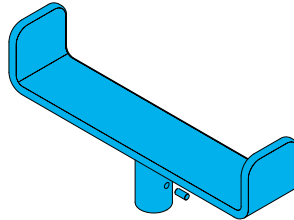
**1615-P75755**

RNET Accessory, Joystick Knob, Standard



**1615-SA72410**

RNET Accessory, Joystick Knob, T Bar



**1615-SA72434**

RNET Accessory, Joystick Knob, Old Style Sponge ball



**1615-SA72435**

RNET Accessory, Joystick Knob, Stick Knob S81



**1615-SA72439**

RNET Accessory, Joystick Knob, Mushroom M49



**1615-SA72441**

RNET Accessory, Joystick Knob, Solid Ball B39



**1600-101**

Bodypoint Joystick Handle 3" Wide U Shape



**1600-102**

Bodypoint Joystick Handle 4" Wide U Shape



**1600-110**

Bodypoint Joystick Handle Grooved Mushroom



**1600-107**

Bodypoint Joystick Handle Rubber Dome



**1601-0101-291**

Medifab Joystick comfort cover - Suits BP U Bracket 3"



**1601-0102-291**

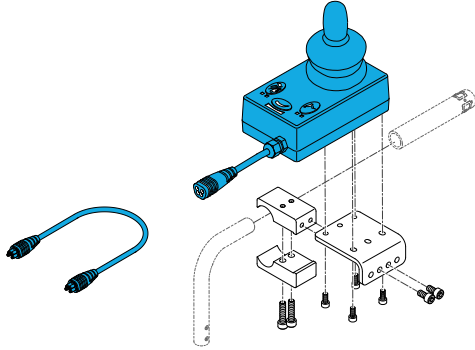
Medifab Joystick comfort cover - Suits BP U Bracket 4"



# Attendant Joystick

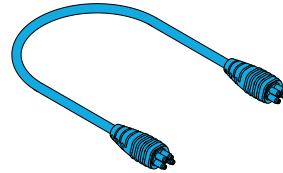
1615-D50882

Quickie Power, Sedeo Lite Attendant Control Mount and Palm Rest Assembly Left Side



1600-108316-050

Quickie Power, R-Net Bus Cable/Harness 500mm

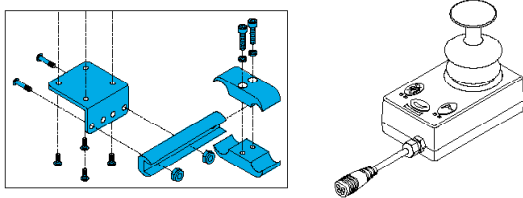


Dist Block to ISM or  
Dist Block to Bluetooth mounted on Seat

# Attendant Mounting System

1600-108281

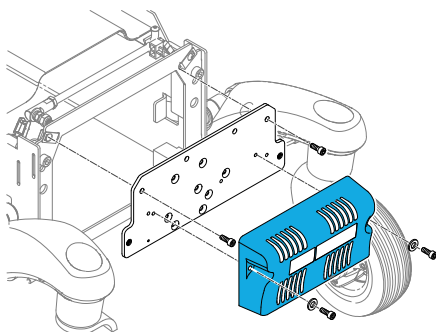
Quickie Power, Attendant Control Mount for Sedeo Lite, Basic



# Accessory Electronics

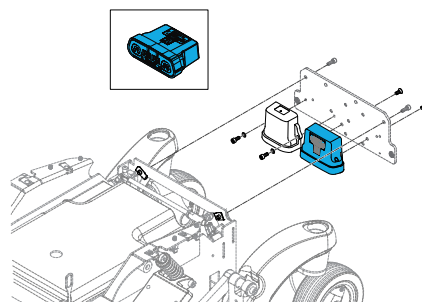
1615-D50903

RNET, Power Module 120 Amp



1600-241648

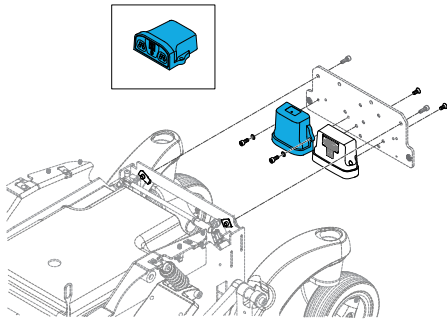
Quickie Power, RNET Light Module Only





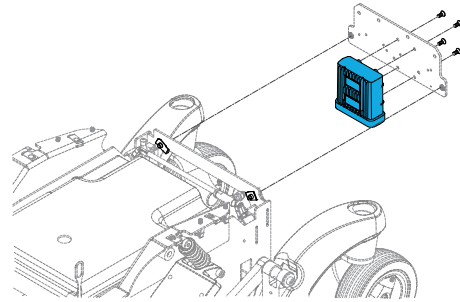
**1600-015575**

Quickie Power, Motor Encoder Module



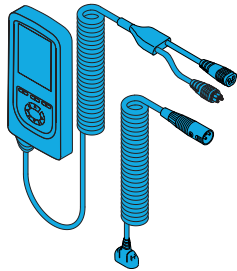
**1615-D50602**

RNET, ISM (Intelligent Seating Module) 6 Channel with Lights.



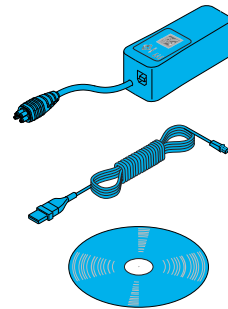
**1600-D50996**

Quickie Power RNET/VR2 HandHeld Programmer



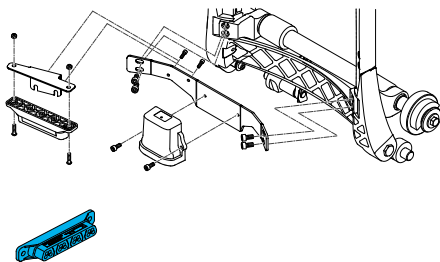
**1615-D50609**

RNET, Programmer Dongle, Dealer Version



**1600-108312**

Quickie Power, RNET Distribution Block

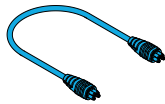


# RNET Cables

## Bus Cables/Harness

**1615-SA77525L03**

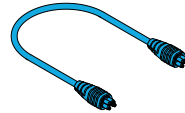
RNET, Bus Harness Cable (M-M), 0,3m long



**1C** Controller Joystick Port to Bluetooth, or Dist Block or Bluetooth to Output Module without Power Recline, or Controller Joystick Port to ISM in Base

**1615-SA77525L05**

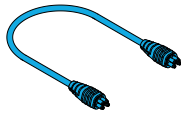
RNET, Bus Harness Cable (M-M), 0,5m long



**1A** Dist Block to ISM or Dist Block to Bluetooth mounted on Seat

**1615-SA77525L10**

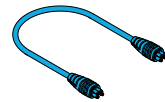
RNET, Bus Harness Cable (M-M), 1m long



**1D** Distribution Block to Attendant Control, or Rnet Ext to Dist Block with Tilt/Lift combo

**1615-SA77525L12**

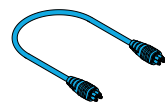
RNET, Bus Harness Cable (M-M), 1,2m long



**1B** Non-expandable Rnet Bus Ext to ISM with Legrests only, or Rnet Bus Ext to Dist Block without Tilt/Lift combo, or Dist Block to Omni or Output Module with Power Recline

**1615-SA77525L15**

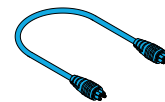
RNET, Bus Harness Cable (M-M), 1,5m long



**1B** Non-expandable Rnet Bus Ext to ISM with Legrests only, or Rnet Bus Ext to Dist Block without Tilt/Lift combo, or Dist Block to Omni or Output Module with Power Recline

**1615-SA77525L20**

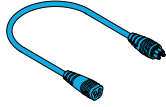
RNET, Bus Harness Cable (M-M), 2m long



**1B** Non-expandable Rnet Bus Ext to ISM with Legrests only, or Rnet Bus Ext to Dist Block without Tilt/Lift combo, or Dist Block to Omni or Output Module with Power Recline

**1615-SA78640L05**

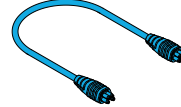
RNET, Bus Harness Extension Cable (M-F), 0.5m long



**2B** Controller Joystick Port or ISM in Base or Bluetooth in Base to Rnet Ext without Tilt or with Tilt/Lift combo

**1615-SA77525L10**

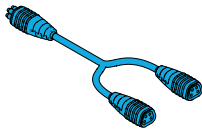
RNET, Bus Harness Extension Cable (M-F), 1m long



**1D** Distribution Block to Attendant Control, or Rnet Ext to Dist Block with Tilt/Lift combo

**1615-SA81331**

Harness R-Net Bus Splitter

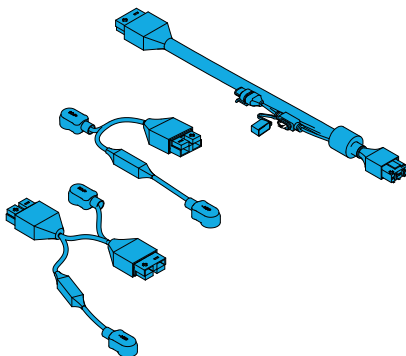


**3** Used with CTRL+5 with Joystick, Omni, and Attendant

## Battery Harness

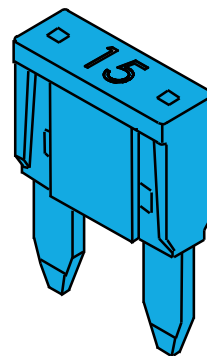
**1600-164136**

Quickie Power, Battery Harness 100A Kit



**1600-249005**

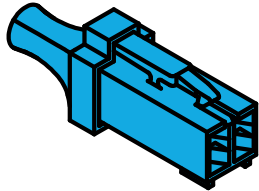
Quickie Power, 15A Mini Fuse



# Wiring

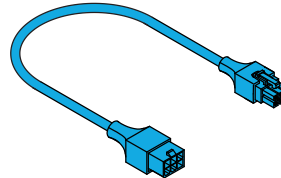
**1600-248506**

Quickie Power, Harness Inhibit Shortening Plug I2



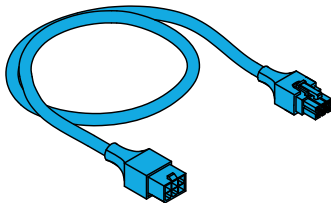
**1600-21211005-100**

Quickie Power, Sedeo Pro Actuator 100cm Extension Cables



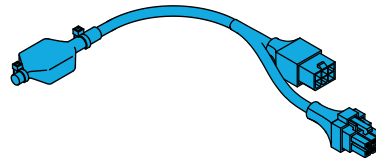
**1600-21211005-150**

Quickie Power, Sedeo Pro Actuator 150cm Extension Cables



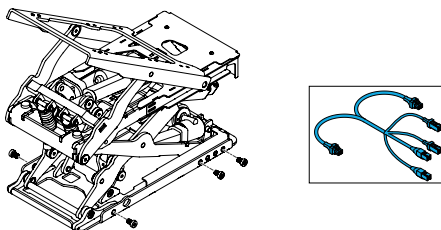
**1600-248490**

Quickie Power, Sedeo Pro Tilt/Lift Combo Lift Actuator E Break PM7 Assembly



**1600-248517**

Quickie Power, Sedeo Pro Tilt/Lift Combo Harness Cables



# medifab

Distributed in NZ by Medifab Ltd

22 Detroit Drive,  
Rolleston, 7675  
New Zealand

0800 543 343

[solutions@medifab.com](mailto:solutions@medifab.com)

[www.medifab.com](http://www.medifab.com)



DISTRIBUTED BY: