

Quickie 2 Spare Parts



**SPARE
PARTS
GUIDE**

medifab[®]

MEDIFAB.COM

Version 2, August 2022

Contents

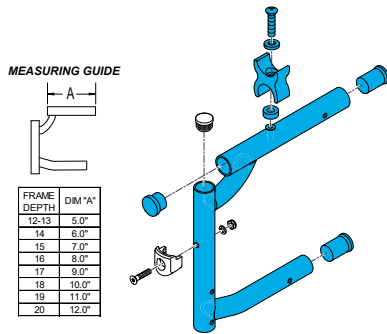
Frame	4
Front Kits	4
Front Kits	5
Cross Brace Parts	7
Cross Brace Assembly	8
Transit Kit	12
Axle Plates	13
Castors	15
Integral Castor Forks, Stems and Housing	16
Standard Castor Forks, Stems and Housing	19
Universal Forks and Hardware	25
Anti-Tips	27
Wheel Locks	29
Rear Wheels	35
Seating Parts	42
Back Canes	46
Angle Adjustable Back	46
Depth Adjustable Back	46
Canes and Push Handles	47
Cross Bar	49
Dynamic Back	50
Upholstery	51
Hangers & Footplates	55
Extension Mount Hangers	55
Extension Mount Footplates	55
Front Mount Hangers	56
Z-Finity	58
Hanger Impact Guard	61

Footplate Padding	62
Armrests	62
Single Post Assemblies	62
Lite Flip Back Assemblies	63
Lite Flip Back Receivers	64
Dual Post Flip Back Kits	65
Dual Post Armrest Parts	65
Side Guards	67

Frame

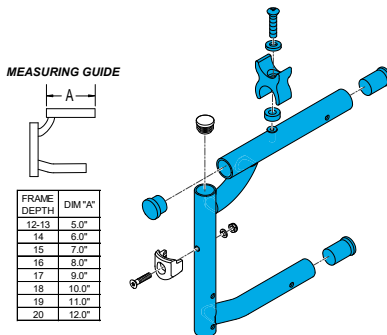
Front Kits

Quickie 2, Frame Front Kit for ____"Depth Chair, Universal
L/R per each



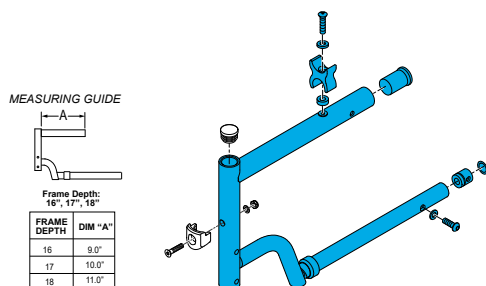
Depth	Product Codes
13 "	1579-162053S
14 "	1579-162054S
15 "	1579-161510S
16 "	1579-161511S
17 "	1579-161512S
18 "	1579-161513S

Quickie 2, Frame Front Heavy Duty Kit for ____ " Depth
Chair, Universal L/R per each



Depth	Product Codes
17 "	1579-162055S
18 "	1579-162056S
19 "	1579-162057S
20 "	1579-162058S

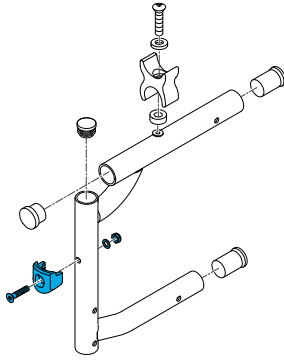
Quickie 2, Hemi Frame Front Kit for ____ " Depth Chair,
Universal L/R per each



Depth	Product Codes
16 "	1579-161514S
17 "	1579-161515S
18 "	1579-161516S
20 "	1579-162059S

1579-119514

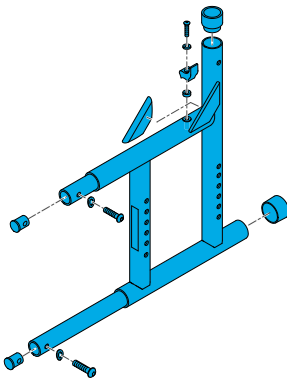
Quickie, Swing in/out Hanger Latch Receiver Kit*



Front Kits

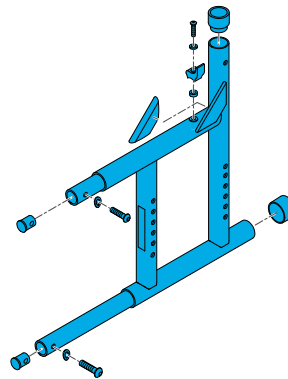
1579-161517S

Quickie 2, Frame Rear RHS Straight Kit; Specify Colour



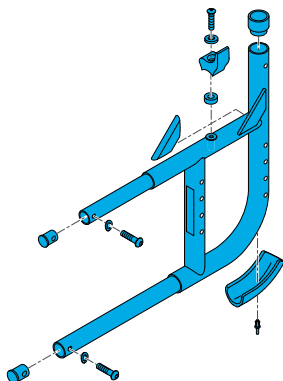
1579-161518S

Quickie 2, Frame Rear LHS Straight Kit; Specify Colour



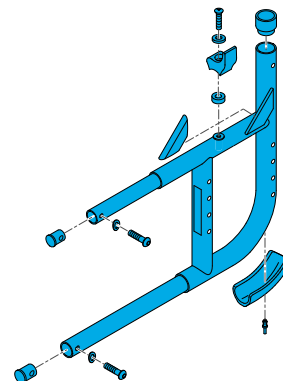
1579-161519S

Quickie 2, Frame Rear RHS Rounded Kit; Specify Colour



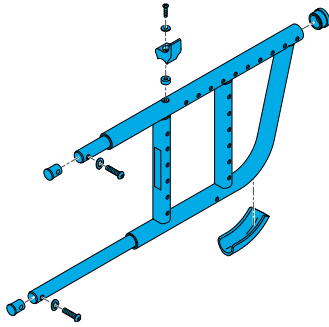
1579-161520S

Quickie 2, Frame Rear LHS Rounded Kit; Specify Colour



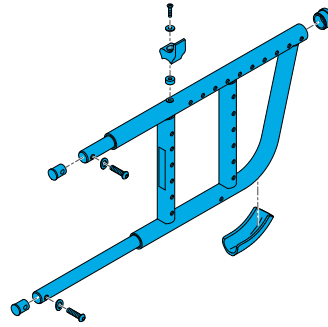
1579-161521S

Quickie 2, Frame Rear RHS Depth Adjustable Back Kit;
Specify Colour



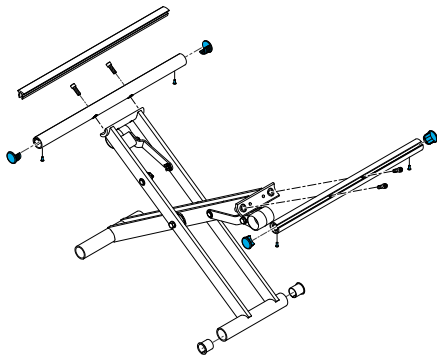
1579-161522S

Quickie 2, Frame Rear LHS Depth Adjustable Back Kit;
Specify Colour

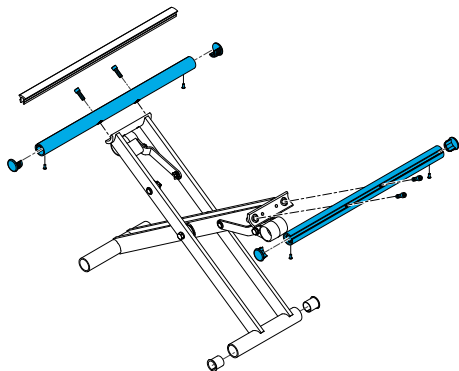


1579-108117

Quickie 2, Seat Rail End Plug Kit, Set of 4.



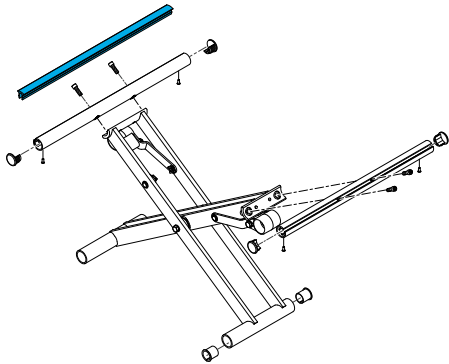
Quickie 2, Seat Rail Kit for ____ " Deep Back



Depth	Product Codes
11"	1579-161532
12"	1579-161533
13"	1579-161534
14"	1579-161535
15"	1579-161536
16"	1579-161537
17"	1579-161538
18"	1579-161539
19"	1579-161540
20"	1579-161541
21"	1579-161543
22"	1579-161544

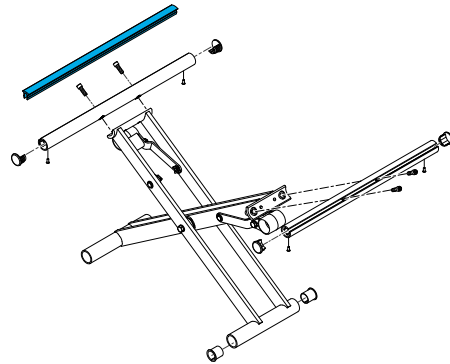
1579-108773

Quickie 2, Seat Rail Plastic Insert; Cut to size for 12-18"
Deep Back



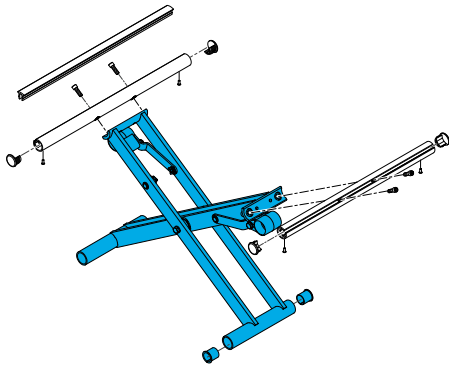
1579-108774

Quickie 2, Seat Rail Plastic Insert; Cut to size for 19-22"
Deep Back



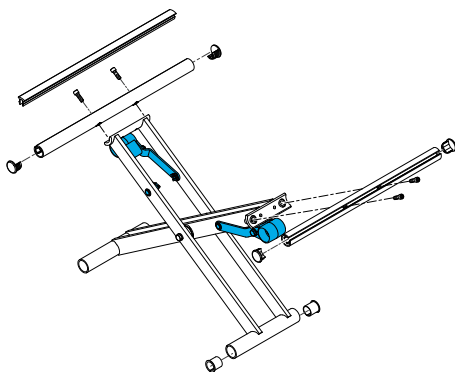
Cross Brace Parts

Quickie 2, Cross Brace, Tube assembly ____ " Wide



Depth	Product Codes
12 "	1579-161523
13 "	1579-161524
14 "	1579-161525
15 "	1579-161526
16 "	1579-161527
17 "	1579-161528
18 "	1579-161529
19 "	1579-161530
20 "	1579-161531

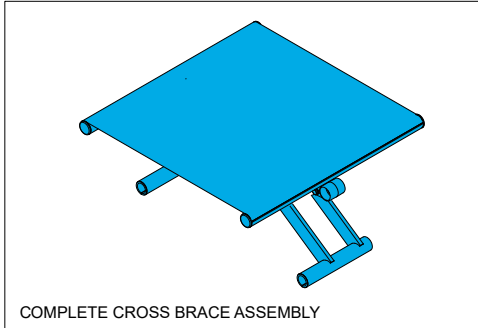
Quickie 2, ____ " Wide Cross Brace Hinge Replacement
Kit Pair



Width	Product Codes
12 "	1579-162060
13 "	1579-162061
14 "	1579-162062
15 "	1579-162063
16 "	1579-162064
17 "	1579-162065
18 "	1579-162066
19 "	1579-162067
20 "	1579-162068

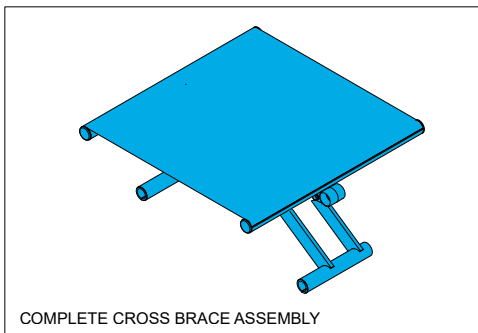
Cross Brace Assembly

Quickie 2, Complete Cross Brace Assembly 12" X ____ "



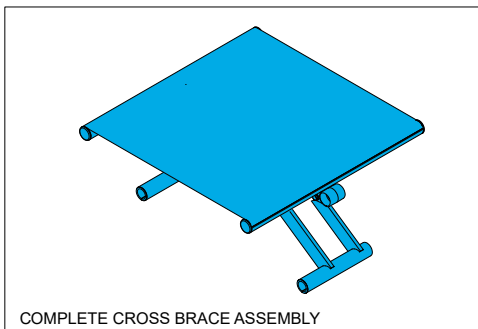
Width	Product Codes
11 "	1579-162143
12 "	1579-162144
13 "	1579-162145
14 "	1579-162146
15 "	1579-162147
16 "	1579-162148
17 "	1579-162149
18 "	1579-162150

Quickie 2, Complete Cross Brace Assembly 13" X ____ "



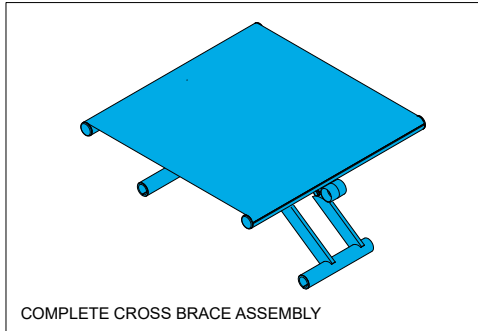
Width	Product Codes
12 "	1579-162151
13 "	1579-162152
14 "	1579-162153
15 "	1579-162154
16 "	1579-162155
17 "	1579-162156
18 "	1579-162157
19 "	1579-162158
20 "	1579-162159

Quickie 2, Complete Cross Brace Assembly 14" X ____ "



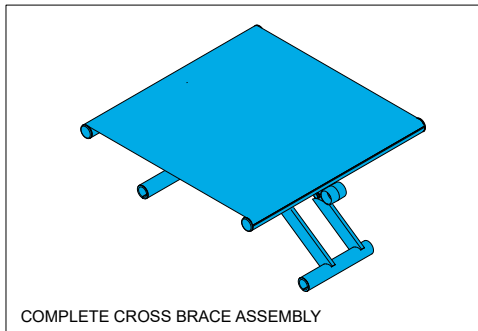
Width	Product Codes
12 "	1579-162160
13 "	1579-162161
14 "	1579-162162
15 "	1579-162163
16 "	1579-162164
17 "	1579-162165
18 "	1579-162166
19 "	1579-162167
20 "	1579-162168

Quickie 2, Complete Cross Brace Assembly 15" X ____ "



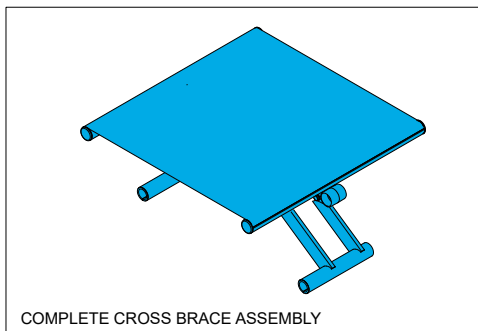
Width	Product Codes
12 "	1579-162169
13 "	1579-162170
14 "	1579-162171
15 "	1579-162172
16 "	1579-162173
17 "	1579-162174
18 "	1579-162175
19 "	1579-162176
20 "	1579-162177

Quickie 2, Complete Cross Brace Assembly 16" X ____ "



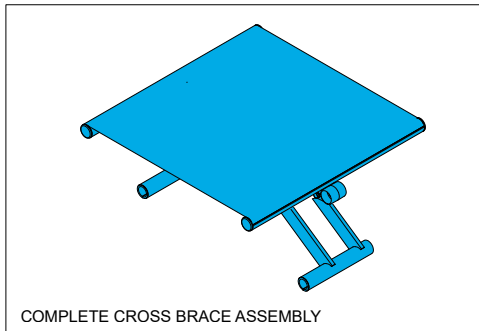
Width	Product Codes
12 "	1579-162178
13 "	1579-162179
14 "	1579-162180
15 "	1579-162181
16 "	1579-162182
17 "	1579-162183
18 "	1579-162184
19 "	1579-162185
20 "	1579-162186
21 "	1579-164045
22 "	1579-164046

Quickie 2, Complete Cross Brace Assembly 17" X ____ "



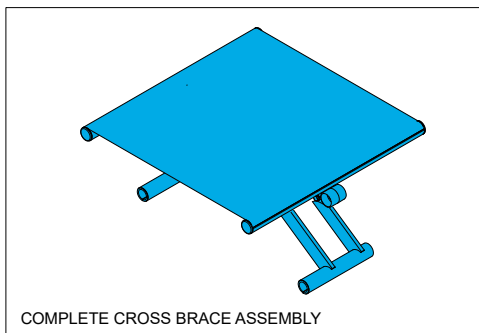
Width	Product Codes
12 "	1579-162187
13 "	1579-162188
14 "	1579-162189
15 "	1579-162190
16 "	1579-162191
17 "	1579-162192
18 "	1579-162193
19 "	1579-162194
20 "	1579-16219
21 "	1579-164047
22 "	1579-164048

Quickie 2, Complete Cross Brace Assembly 18" X ____"



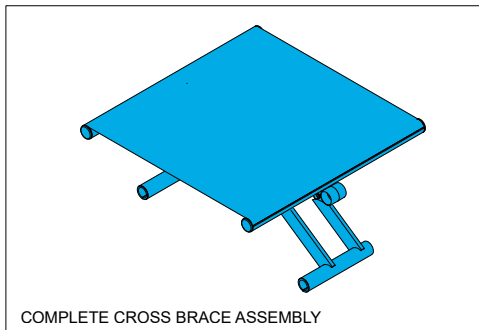
Width	Product Codes
12"	1579-162196
13"	1579-162197
14"	1579-162198
15"	1579-162199
16"	1579-162200
17"	1579-162201
18"	1579-162202
19"	1579-162203
20"	1579-162204
21"	1579-164049
22"	1579-164050

Quickie 2, Complete Cross Brace Assembly 19" X ____"



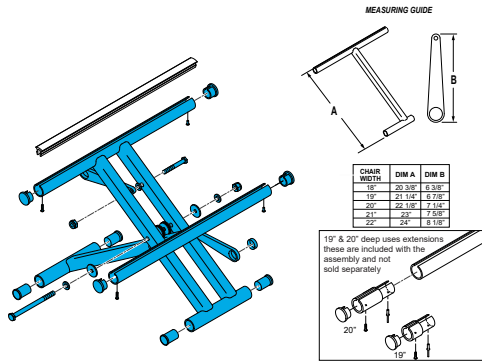
Width	Product Codes
12"	1579-162205
13"	1579-162206
14"	1579-162207
15"	1579-162208
16"	1579-162209
17"	1579-162210
18"	1579-162211
19"	1579-162212
20"	1579-162213
21"	1579-164051
22"	1579-164052

Quickie 2, Complete Cross Brace Assembly 20" X ____"



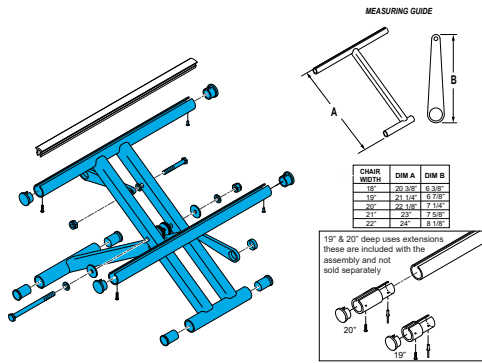
Width	Product Codes
12"	1579-162214
13"	1579-162215
14"	1579-162216
15"	1579-162217
16"	1579-162218
17"	1579-162219
18"	1579-162220
19"	1579-162221
20"	1579-162222
21"	1579-164053
22"	1579-164054

Quickie 2, Complete Heavy Duty Cross Brace Assembly 18
"X ____"



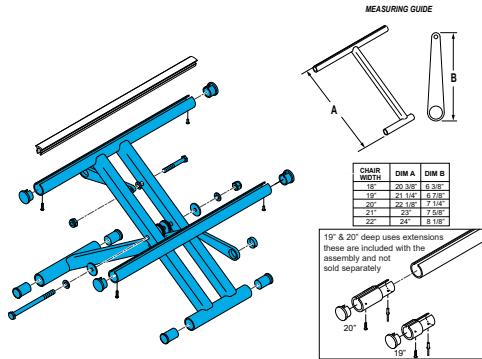
Width	Product Codes
11 "	1579-673592
12 "	1579-673593
13 "	1579-673594
14 "	1579-673595
15 "	1579-673596
16 "	1579-673597
17 "	1579-673598
18 "	1579-673599
19 "	1579-673600
20 "	1579-673601
21 "	1579-673602

Quickie 2, Complete Heavy Duty Cross Brace Assembly 19
"X ____"



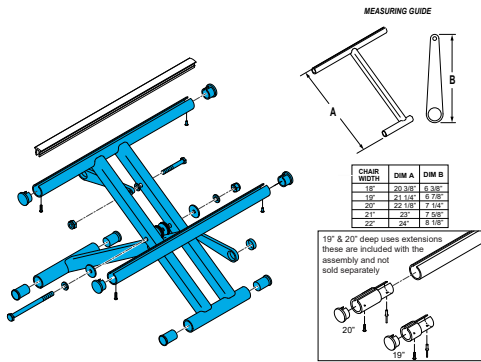
Width	Product Codes
12 "	1579-673603
13 "	1579-673604
14 "	1579-673605
15 "	1579-673606
16 "	1579-673607
17 "	1579-673608
18 "	1579-673609
19 "	1579-673610
20 "	1579-673611

Quickie 2, Complete Heavy Duty Cross Brace Assembly 20
"X ____"



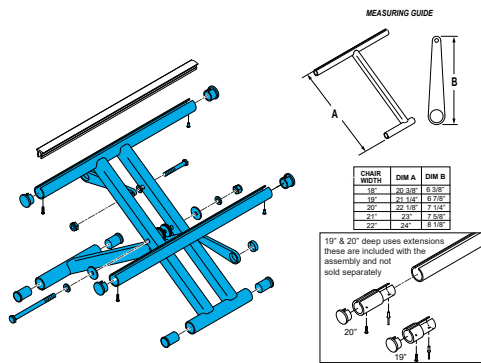
Width	Product Codes
11 "	1579-673612
12 "	1579-673613
13 "	1579-673614
14 "	1579-673615
15 "	1579-673616
16 "	1579-673617
17 "	1579-673618
18 "	1579-673619
19 "	1579-673620
20 "	1579-673621

Quickie 2, Complete Heavy Duty Cross Brace Assembly 21
"X ____"



Width	Product Codes
12 "	1579-673622
13 "	1579-673623
14 "	1579-673624
15 "	1579-673625
16 "	1579-673626
17 "	1579-673627
18 "	1579-673628
19 "	1579-673629
20 "	1579-673630

Quickie 2, Complete Heavy Duty Cross Brace Assembly 22
"X ____"

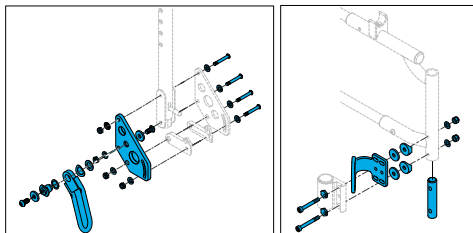


Width	Product Codes
12 "	1579-673631
13 "	1579-673632
14 "	1579-673633
15 "	1579-673634
16 "	1579-673635
17 "	1579-673636
18 "	1579-673637
19 "	1579-673638
20 "	1579-673639

Transit Kit

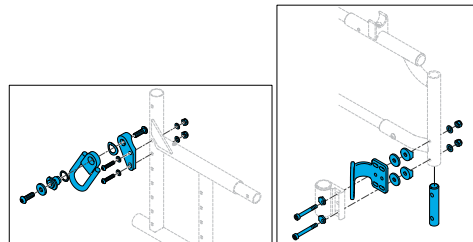
1579-162076

Quickie 2, Transit Kit for 17-20" Deep Frame with Depth Adjustable Back Frame



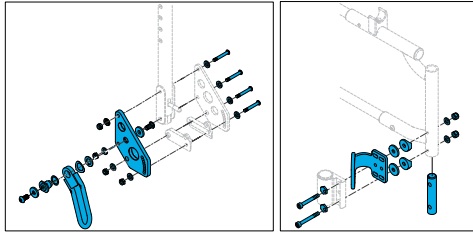
1579-162077

Quickie 2, Transit Kit for 17-20" Deep Frame with Standard Straight or Rounded Frame



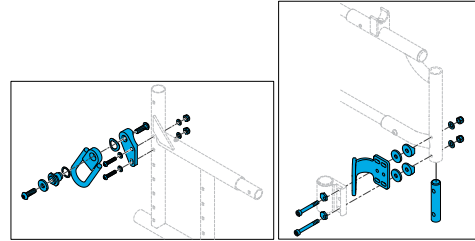
1579-162078

Quickie 2, Transit Kit for 12-16" Deep Frame with Depth Adjustable Back Frame



1579-162079


Quickie 2, Transit Kit for 12-16" Deep Frame with Standard Straight or Rounded Frame



Axle Plates


1579-102063

Quickie 2, Transit Kit for 17-20" Deep Frame with Depth Adjustable Back Frame

Wheel Type	Axle Type	Axle P/N
6 Spoke Mag Wheels	Quick Release 	A = 4 1/8"


1579-920171

Quickie 2, Transit Kit for 17-20" Deep Frame with Standard Straight or Rounded Frame

Wheel Type	Axle Type	Axle P/N
6 Spoke Mag Wheels	Quad Quick Release 	A = 4 1/8"


1579-109385

Quickie, Quick Release Axle Push Button Version suitable for 5 Spoke Mag wheels

Wheel Type	Axle Type	Axle P/N
Lite Spoke	Quick Release 	A = 4 1/4"

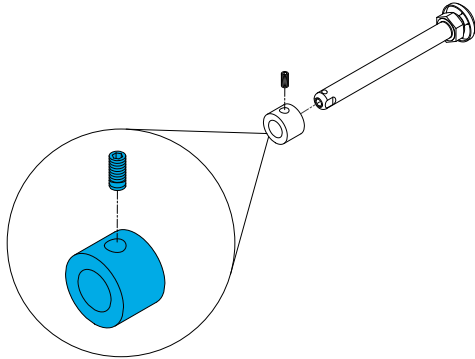
1579-107268

Quickie, Quick Release Axle Push Button Version suitable for Lite Spoke Wheels

Wheel Type	Axle Type	Axle P/N
Standard Spoke Wheels, 5 Spoke Mag Wheels Spinnery Wheels & Mountain Wheels	Quick Release 	A = 4 1/2"

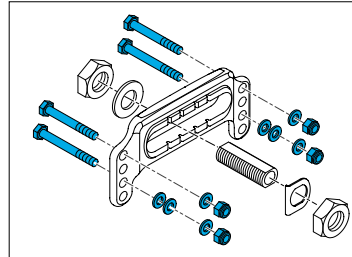
1579-92017

Quickie, Axle Spacer to Shorten Axle Length



1579-111237

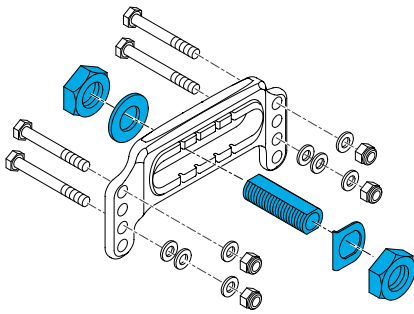
Quickie 2, Axle Plate Hardware kit, Suits all Configurations



AXLE PLATE HARDWARE KIT Q2					
ILLUSTRATION	DESCRIPTION	QTY	ILLUSTRATION	DESCRIPTION	QTY
	PHCS 1/4-28 X 1.50	8		WASHER FLAT 1/4-28	8
	PHCS 1/4-28 X 2	8		WASHER FLAT 1/4-28	8
	PHCS 1/4-28 X 2.50	8		NUT NYLOCK 1/4-28	8
	PHCS 1/4-28 X 2-1/2	8			

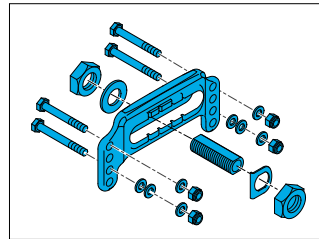
1579-161576

Quickie 2, Axle Sleeve Kit for Aluminium Axle Plate



1579-161574

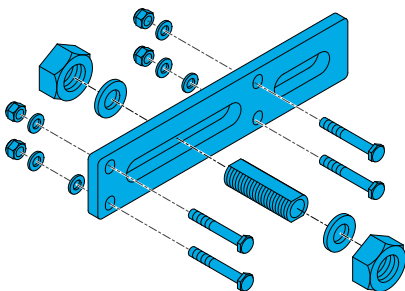
Quickie 2, Aluminium Adjustable (Indexed) Axle Plate assembly



MEASURING GUIDE				
	A	B	C	D
161574	5 3/4"	2.87"	1/2"	1/4"
161576				

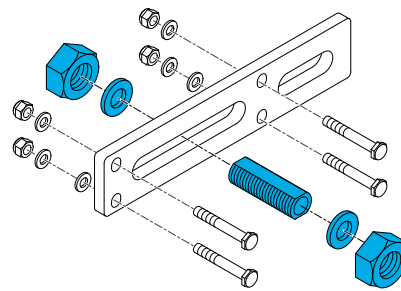
1579-111238

Quickie 2, Amputee Axle Plate Bracket Assembly, Pair



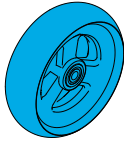
1579-920121

Quickie 2, Axle Sleeve with Hardware; For use with Non-Indexed Axle Plate

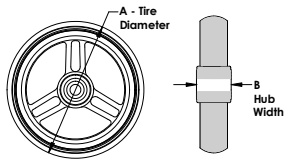


Castors

Quickie, _____" Semi-Pneumatic Castor per each



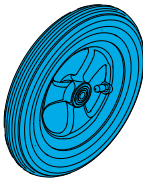
PART NUMBER	"A" TIRE DIAMETER	"B" HUB WIDTH
101957	4.3	1.0
101098	4.0	1.0
101259	4.9	1.0
101255	5.7	1.0
101254	4.9	1.0



Description	Product Codes
4 x 1.25"	1579-101257
5 x 1.5"	1579-101259
6 x 1.5"	1579-101255

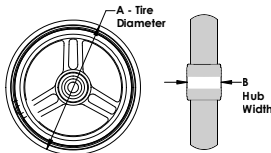
1579-400212

Quickie, 8" x 1" Semi-Pneumatic Castor per each



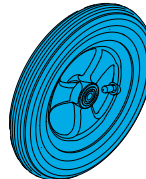
CASTER MEASURING GUIDE

PART NUMBER	"A" TIRE DIAMETER	"B" HUB WIDTH
101256	5.75	1.0
101257	5.9	1.0
400212	8.0	1.0
400213	7.8	1.0
400214	6.9	1.0
400215	7.25	1.0



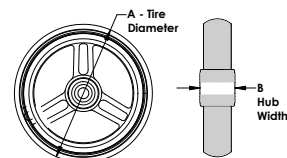
1579-400215

Quickie, 8" x 1.5" Semi-Pneumatic Castor per each



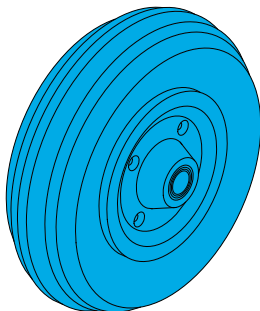
CASTER MEASURING GUIDE

PART NUMBER	"A" TIRE DIAMETER	"B" HUB WIDTH
101256	5.75	1.0
101257	5.9	1.0
400212	8.0	1.0
400213	7.8	1.0
400214	6.9	1.0
400215	7.25	1.0



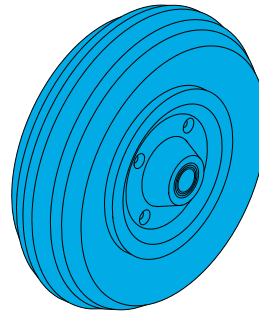
1579-400700

Quickie, 8" x 2" Pneumatic Castor per each



1579-400702

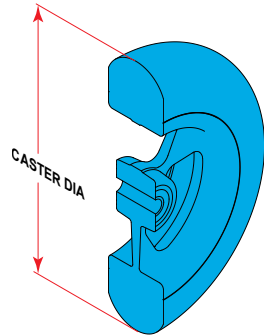
Quickie, 8" x 2" Airless Castor per each



Quickie,_" x 15" Aluminium Soft Roll Castor Wheel

**CASTER
MEASURING GUIDE**

TIRE DIAMETER	HUB WIDTH
3	1
4 1/8	1
5	1
6	1

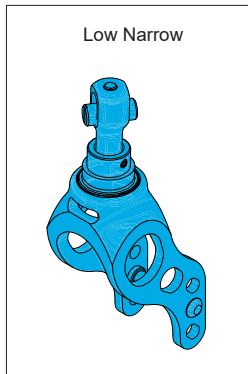


Wheel Size	Product Codes
4"	1579-251732
5"	1579-251733
6"	1579-251734

Integral Castor Forks, Stems and Housing

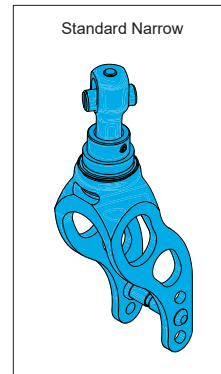
1579-161592

Quickie 2, Multipositional Low, Narrow Fork, Fork Stem and Castor Axle; For use with Integral Castor Housing



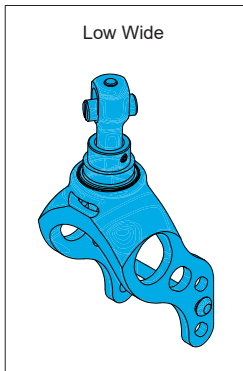
1579-161593

Quickie 2, Multipositional Standard, Narrow Fork, Fork Stem and Castor Axle; For use with Integral Castor Housing



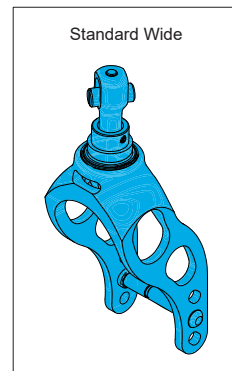
1579-161594

Quickie 2, Multipositional Low, Wide Fork, Fork Stem and Castor Axle; For use with Integral Castor Housing



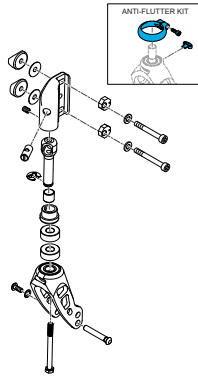
1579-161595

Quickie 2, Multipositional Standard, Wide Fork, Fork Stem and Castor Axle; For use with Integral Castor Housing



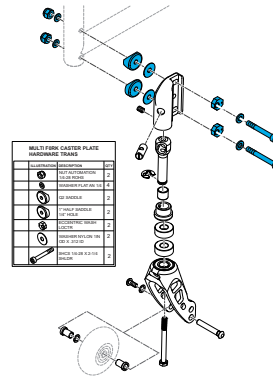
1579-120957

Quickie, Lightweight Chair, Anti-Flutter Kit, Pair; Use with Standard and Narrow Forks



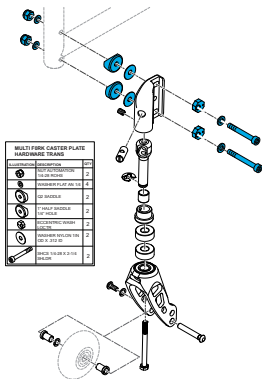
1579-161590

Quickie 2, Integral Castor Plate Hardware Kit



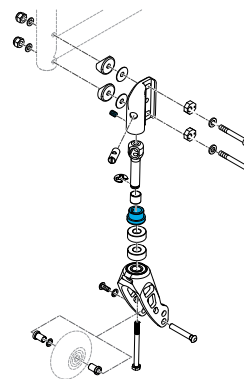
1579-161591

Quickie 2, Integral Castor Plate Hardware Kit, For use with Transit Kit



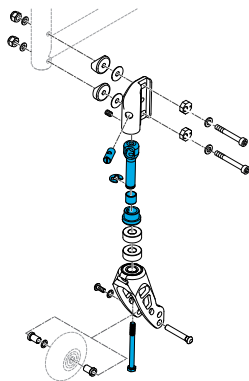
1579-161586

Quickie 2, Integral Castor Housing Plug Kit



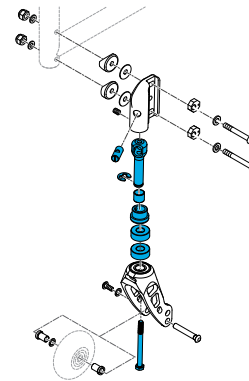
1579-161587

Quickie 2, Integral castor Stem Kit



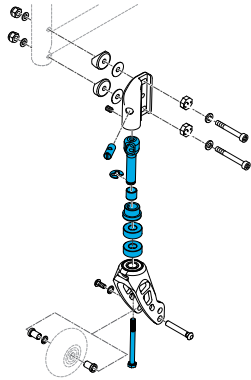
1579-161588

Quickie 2, Integral castor Stem +.5" Kit



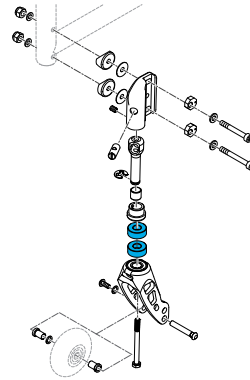
1579-161589

Quickie 2, Integral castor Stem +1" Kit



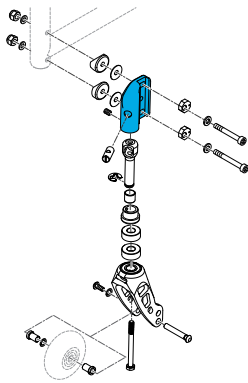
1579-483275

Quickie, Lightweight Chair, Integral Castor Stem Spacer



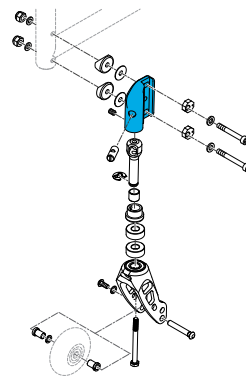
1579-132634

Quickie 2, Integral Castor Mounting Housing Right Side

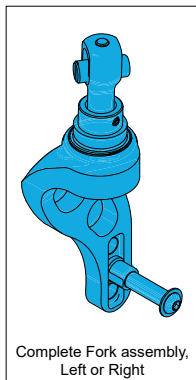


1579-132635

Quickie 2, Integral Castor Mounting Housing Left Side



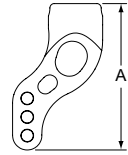
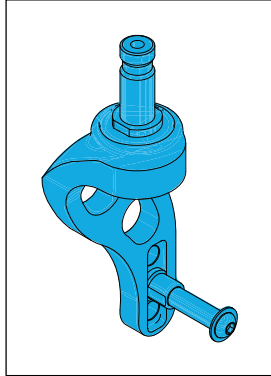
Quickie 2, ___ Single Sided Fork, Stem and Axle ___ Side Assembly



Description	Product Codes
Low , LH	1579-161596
Low , RH	1579-161597
STD , LH	1579-161598
STD , RH	1579-161599

Standard Castor Forks, Stems and Housing

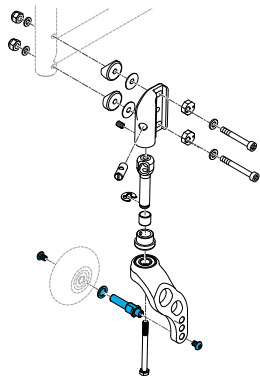
Quickie Nitrum, ___ Height, ___ Castor, Single Sided Fork and Bearing Kit, Per side



Description	"A"	Product Codes
Low, LH	4	1579-112672
Low, RH	4	1579-112673
STD, LH	4 7/8	1579-112242
STD, RH	4 7/8	1579-112243

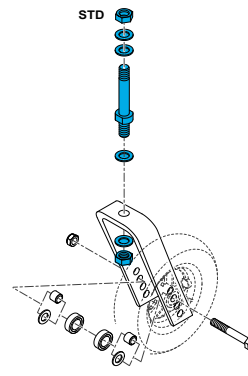
1579-159437

Quickie, Single Side Fork Axle Kit



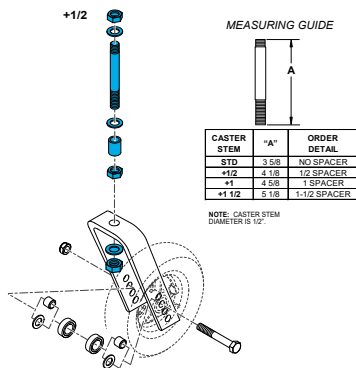
1579-920050

Quickie, Standard castor Stem with Hardware; For use with Standard Castor Housing



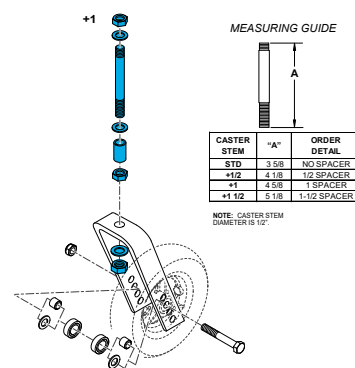
1579-162080

"Quickie, Standard Castor Stem With Hardware and +1/2" Stem Spacer; For use with Standard Castor Housing



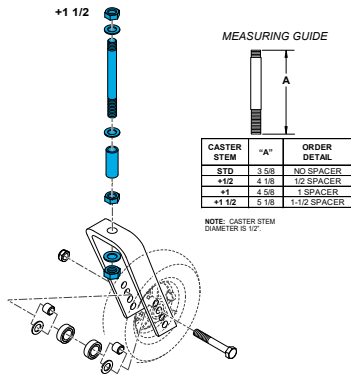
1579-162081

"Quickie, Standard Castor Stem With Hardware and +1" Stem Spacer; For use with Standard Castor Housing



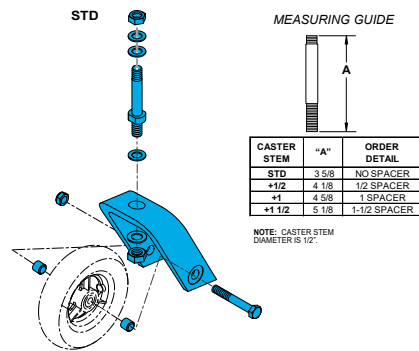
1579-92010

"Quickie, Standard Castor Stem With Hardware and +1 1/2" Stem Spacer; For use with Standard Castor Housing

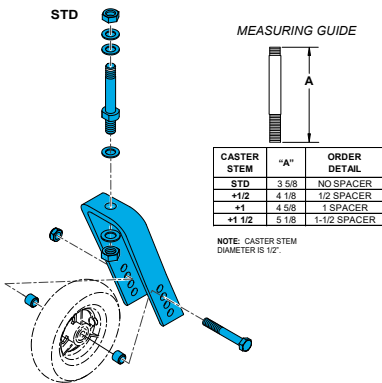


1579-109334

Quickie, 3" Fork and Standard castor Stem Assembly; For use with Standard Castor Housing

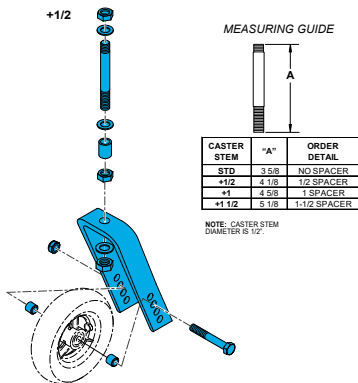


Quickie, _____" Fork and Standard castor Stem Assembly; For use with Standard Castor Housing



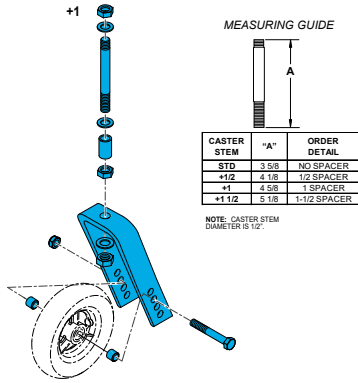
Description	Product Codes
5 1/4 "	1579-109335
6 "	1579-109338
7 "	1579-109341

Quickie, _____" Fork and +1/2" Standard Castor Stem Assembly; For use with Standard Castor Housing



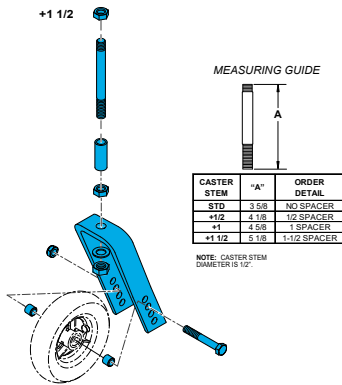
Description	Product Codes
5 1/4 "	1579-162082
6 "	1579-162084
7 "	1579-162086

Quickie, ____" Fork and +1" Standard Castor Stem Assembly;
For use with Standard Castor Housing



Description	Product Codes
5 1/4 "	1579-162083
6 "	1579-162085
7 "	1579-162087

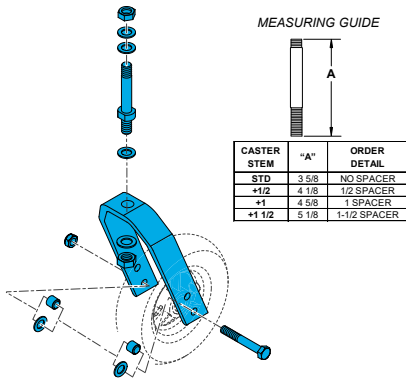
Quickie, ____" Fork and +1 1/2" Standard Castor Stem Assembly; For use with Standard Castor Housing



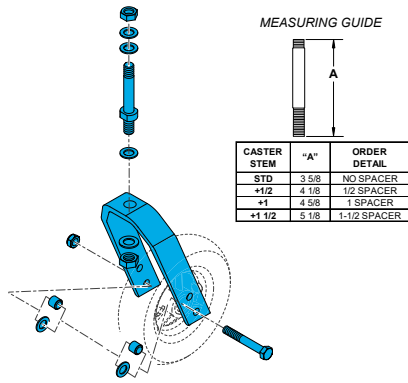
Description	Product Codes
5 1/4 "	1579-109337
6 "	1579-109340
7 "	1579-109343

1579-109344

Quickie, 8" Fork and Standard castor Stem Assembly; For use with Standard Castor Housing



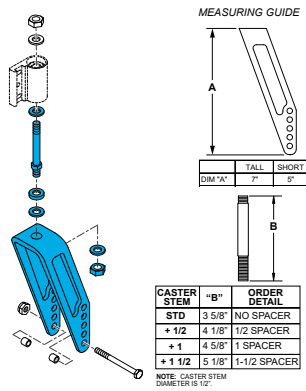
Quickie, 8" Fork and ____" Standard Castor Stem Assembly,
For use with Standard Castor Housing



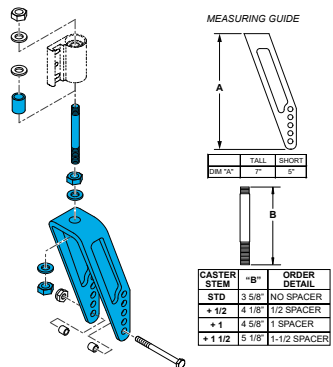
Castor Size	Product Codes
+1/2	1579-162088
+1	1579-162089
+1 1/2	1579-109346

1579-780236

Quickie, Tall Multi-Positional Fork And Standard Stem Assembly,
For use with Standard Castor Housing



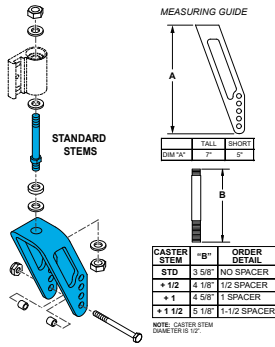
Quickie, Tall Multi-Positional Fork And ____" Stem Assembly,
For use with Standard Castor Housing



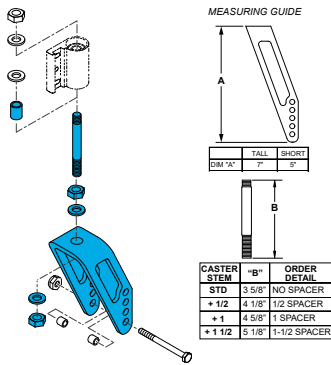
Castor Size	Product Codes
+1/2	1579-158722
+1	1579-158723
+1 1/2	1579-780238

1579-780239

Quickie, Short Multi-Positional Fork And Standard Stem Assembly; For use with Standard Castor Housing



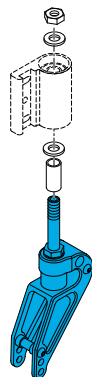
Quickie, Short Multi-Positional Fork And ____" Stem Assembly; For use with Standard Castor Housing



Castor Size	Product Codes
+1/2	1579-158724
+1	1579-158725
+1 1/2	1579-780241

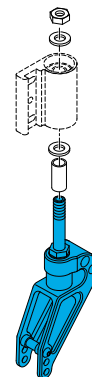
1579-921488

Quickie, 6" Frog Leg Fork and 2.5" Stem Assembly; For use with Standard Castor Housing



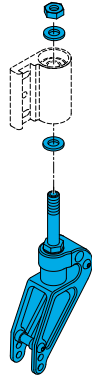
1579-921489

Quickie, 6" Frog Leg Fork and 4" Stem Assembly; For use with Standard Castor Housing



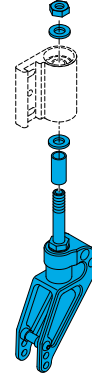
1579-921498

Quickie, 6" Frog Leg Fork and 2.5" Stem Assembly with Hardware; For use with Standard Castor Housing



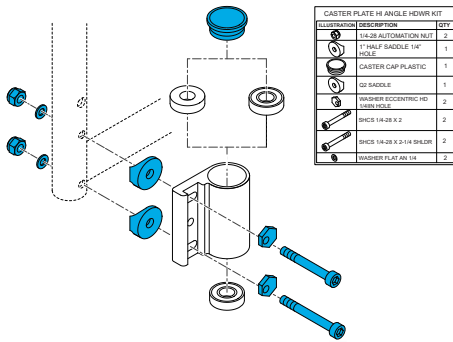
1579-921499

Quickie, 6" Frog Leg Fork and 4" Stem Assembly with Hardware; For use with Standard Castor Housing



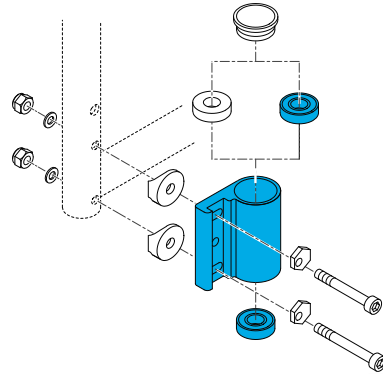
1579-920474

Quickie, High Angle Standard Castor Plate Hardware Kit



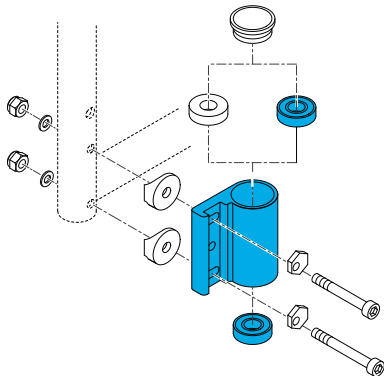
1579-780204

Quickie, High Angle Standard Castor Plate with Double Bearing Right Side



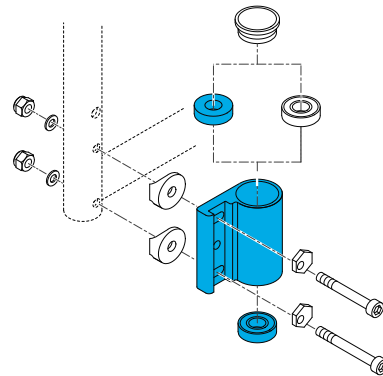
1579-780205

Quickie, High Angle Standard Castor Plate with Double Bearing Left Side



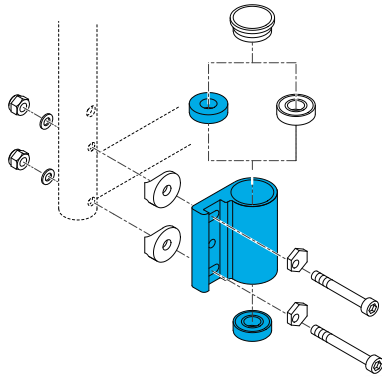
1579-780206

Quickie, High Angle Standard Castor Plate with Single Bearing Right Side



1579-780207

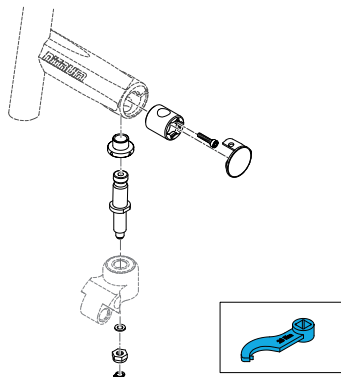
Quickie, High Angle Standard Castor Plate with Single Bearing Left Side



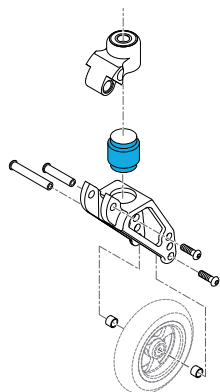
Universal Forks and Hardware

1579-116351

Quickie, Frog Leg Fork Assembly Tool



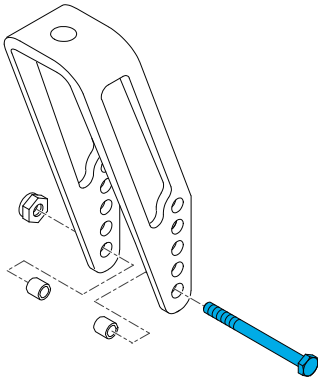
Quickie, Frog Leg Suspension, ___ Elastomer



Nature	Product Codes
Soft	1579-050156-001
Medium	1579-050156-002
Firm	1579-050156-003

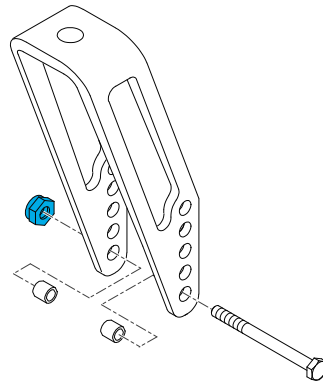
1579-106987

Quickie, Axle Hardware Hex Bolt 5/16" - 24 x 2 1/2"



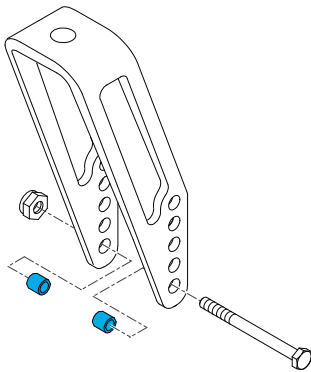
1579-106939

Quickie, Axle Hardware 5/16" - 24 Thin Nylock Nut



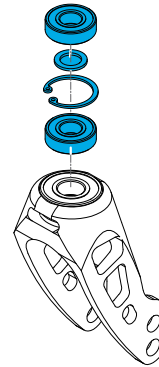
1579-481113

Quickie, Axle Hardware 5/16" x 0.38 Spacer

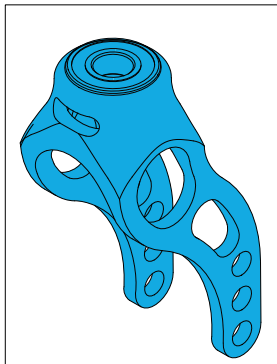


1579-159434

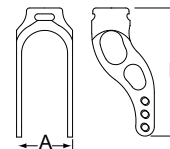
Quickie, Rigid Chair, Multi Position Fork Bearing Kit



Quickie Nitrum, ___ Height, ___ Castor, Fork and Bearing Kit, Per side



FORK MEASURING GUIDE

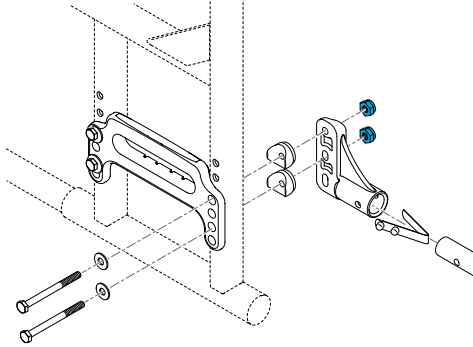


Description	"A"	"B"	Product Codes
Low, Narrow	1 5/8	4	1579-112238
Low, Wide	1 3/4	4	1579-112671
STD, Narrow	1 5/8	4 7/8	1579-112239
STD, Wide	1 3/4	4 7/8	1579-112240

Anti-Tips

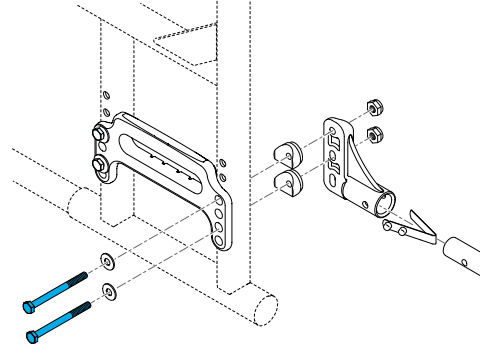
1579-106934

Quickie 2, Anti Tip Receiver Mounting Nut - 1/4-28 Nylock



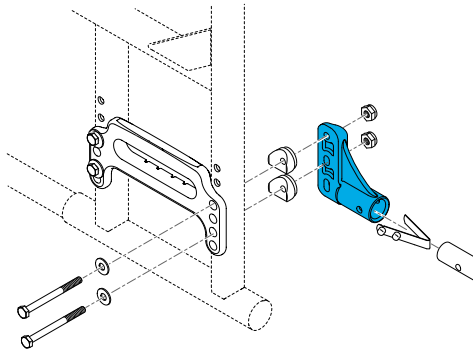
1579-22181

Quickie 2, Anti Tip Receiver Mounting Bolt - 1/4-28 x 2 1/2"
Grade 8 Hex Cap Screw



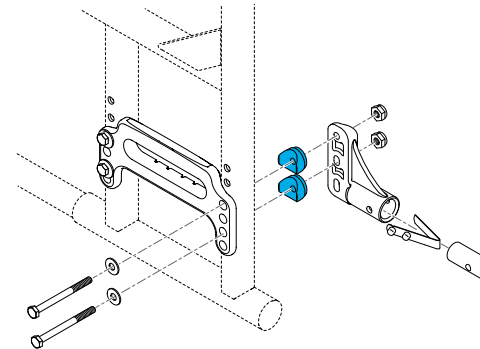
1579-920407

Quickie 2, Anti Tip Receiver Unit Pair



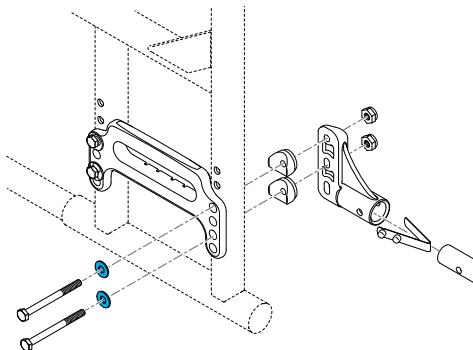
1579-561001

Quickie 2, Anti Tip Receiver Mounting Saddle Washer - 1 1/8"
Saddle 1/4" hole



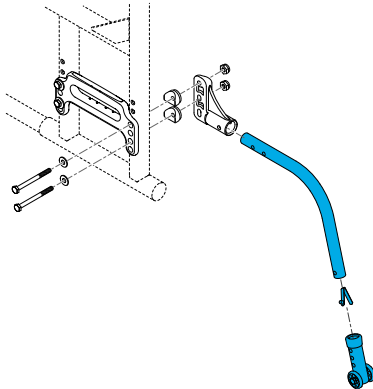
1579-106944

Quickie 2, Anti Tip Receiver Mounting Flat Washer - thin 1/4"



1579-882908

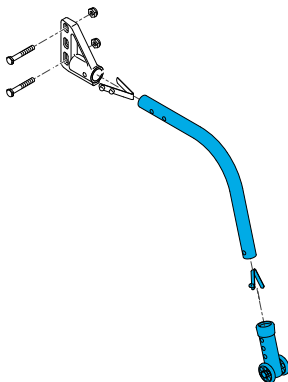
Quickie, Anti-Tip ___ Black ___ Side Assembly - For use with ___ " Wheels



Description	Wheel Size	Product Codes
Small, RH	18", 20" or 22"	1579-882908
Small, LH	18", 20" or 22"	1579-882909
Regular, RH	24"	1579-882910
Regular, LH	24"	1579-882911

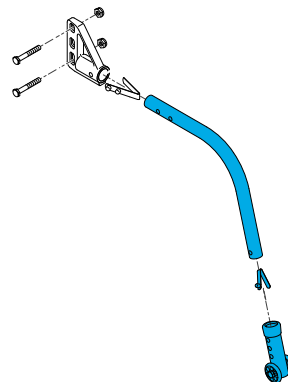
1579-882922

Quickie, Anti-Tip Extended Right Side Black Assembly - For use with 24-26" Wheels & Amputee Axle Plates



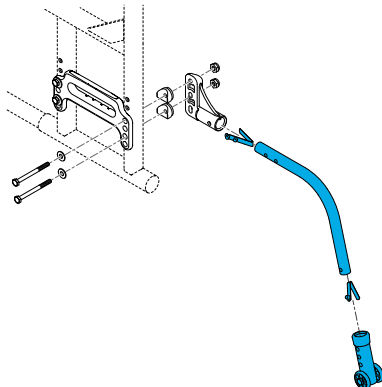
1579-882923

Quickie, Anti-Tip Extended Left Side Black Assembly - For use with 24-26" Wheels & Amputee Axle Plates



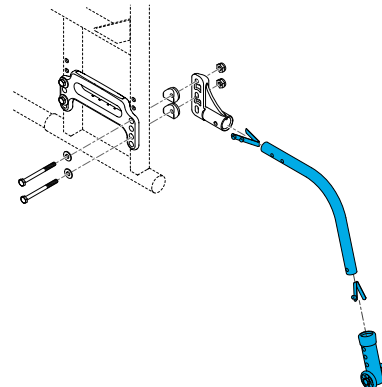
1579-900696

Quickie, Anti-Tip Small Black Pair - For use with 18", 20" or 22" Wheels



1579-900697

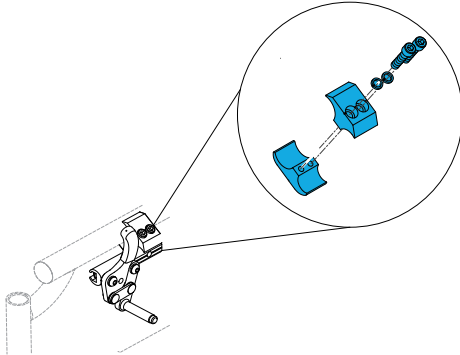
Quickie, Anti-Tip Regular Black Pair - For use with 24" Wheels



Wheel Locks

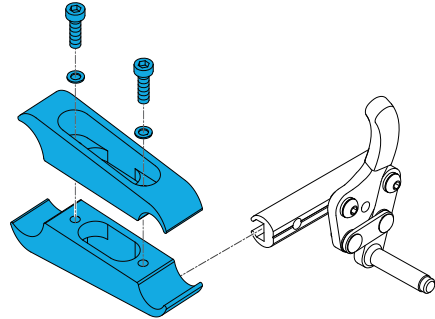
1579-107639

Quickie, Wheel Lock Clamp Assembly Standard



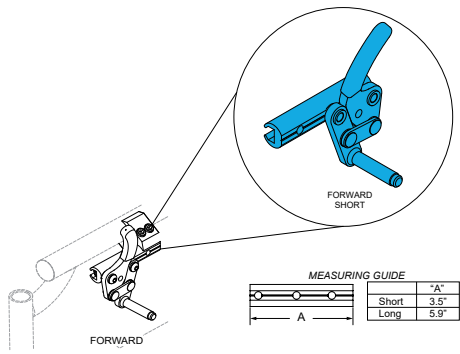
1579-122448S

Quickie 2, Long Wheel Lock Clamp Assembly



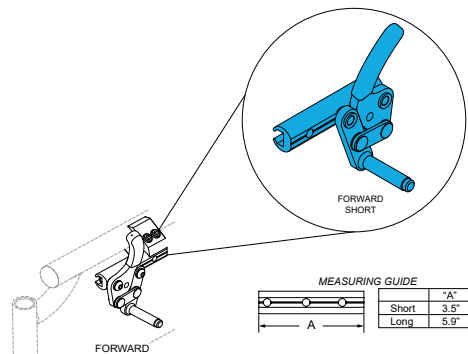
1579-104216-001

Quickie, Push Wheel Lock, Right Forward Short Assembly



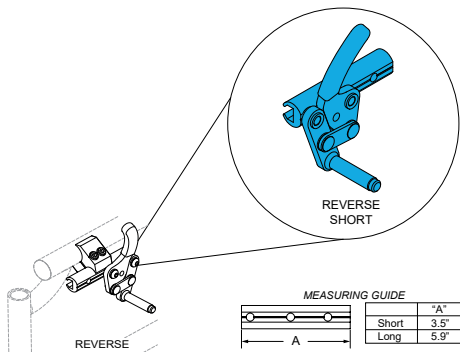
1579-104216-002

Quickie, Push Wheel Lock, Left Forward Short Assembly



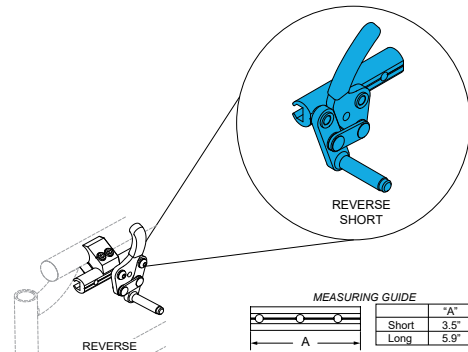
1579-104216-003

Quickie, Push Wheel Lock, Right Reverse Short Assembly



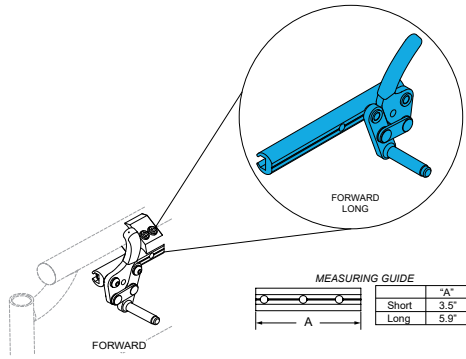
1579-104216-004

Quickie, Push Wheel Lock, Left Reverse Short Assembly



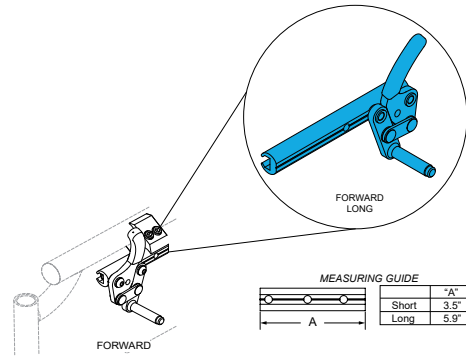
1579-104216-005

Quickie, Push Wheel Lock, Right Forward Long Assembly



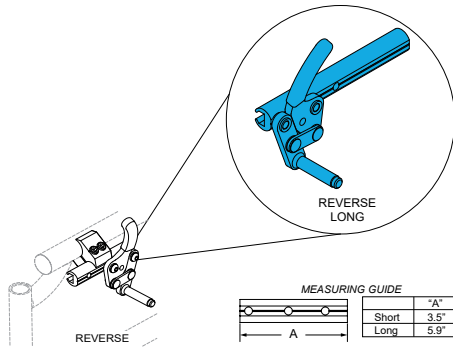
1579-104216-006

Quickie, Push Wheel Lock, Left Forward Long Assembly



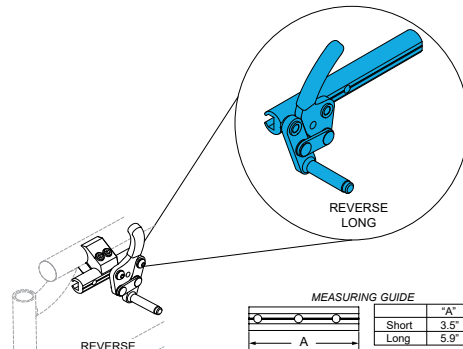
1579-104216-007

Quickie, Push Wheel Lock, Right Reverse Long Assembly



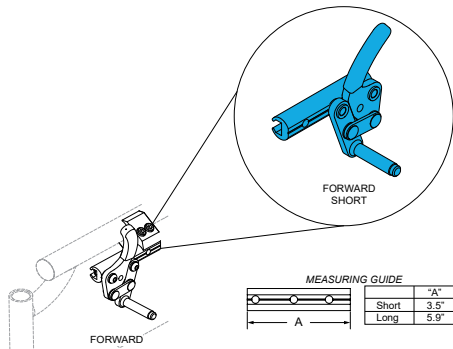
1579-104216-008

Quickie, Push Wheel Lock, Left Reverse Long Assembly



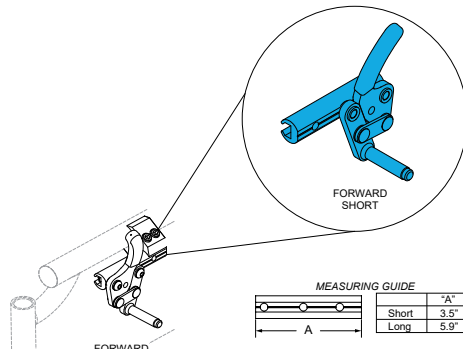
1579-104227-001

Quickie, Pull Wheel Lock, Right Forward Short Assembly



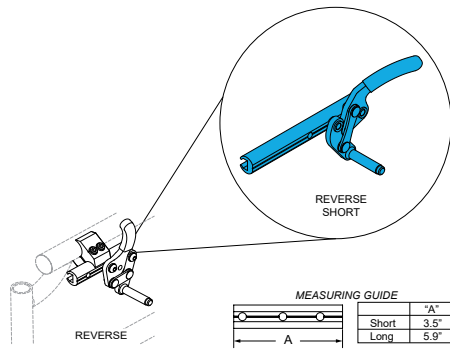
1579-104227-002

Quickie, Pull Wheel Lock, Left Forward Short Assembly



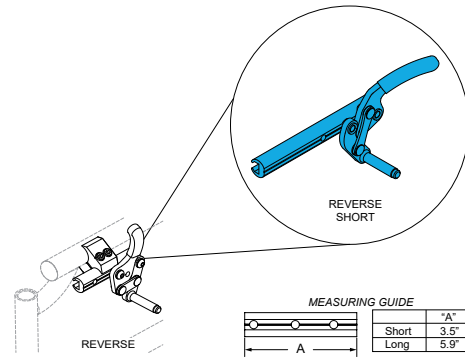
1579-104227-003

Quickie, Pull Wheel Lock, Right Reverse Short Assembly



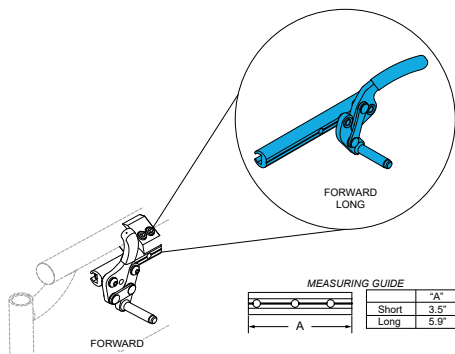
1579-104227-004

Quickie, Pull Wheel Lock, Left Reverse Short Assembly



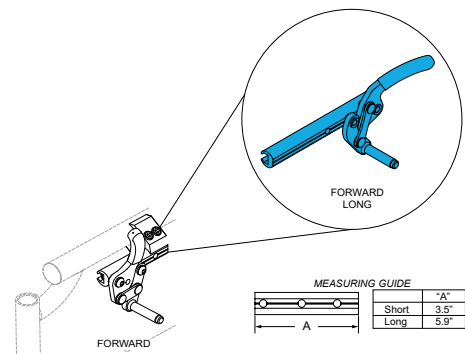
1579-104227-005

Quickie, Pull Wheel Lock, Right Forward Long Assembly



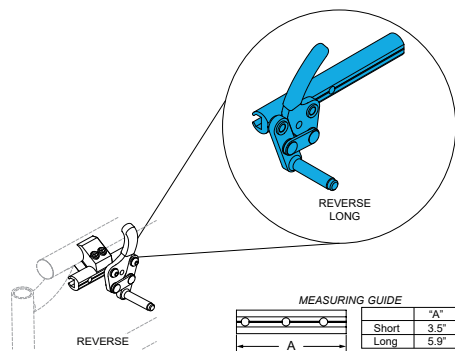
1579-104227-006

Quickie, Pull Wheel Lock, Left Forward Long Assembly



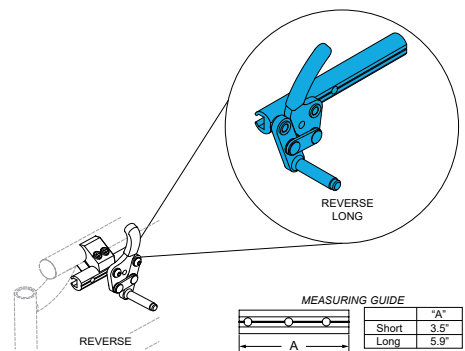
1579-104227-007

Quickie, Pull Wheel Lock, Right Reverse Long Assembly



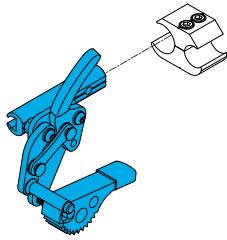
1579-104227-008

Quickie, Pull Wheel Lock, Left Reverse Long Assembly



1579-107667

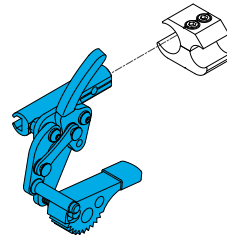
Quickie, Grade Aid Wheel Lock, Left Side Pull Assembly



NOTE: REVERSE CONFIGURATION REQUIRES REMOVAL AND REASSEMBLY OF THE WHEEL LOCK.
 1) REMOVE THE CAP SCREW AND PLASTIC WASHER AT LOCATIONS "A".
 2) MOVE THE WHEEL LOCK TO POSITION SHOWN.
 3) INSERT WASHER AND SCREW, TIGHTEN HARDWARE TO APPROPRIATE SPECIFICATIONS.

1579-107668

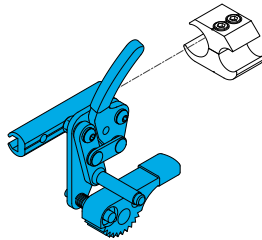
Quickie, Grade Aid Wheel Lock, Right Side Pull Assembly



NOTE: REVERSE CONFIGURATION REQUIRES REMOVAL AND REASSEMBLY OF THE WHEEL LOCK.
 1) REMOVE THE CAP SCREW AND PLASTIC WASHER AT LOCATIONS "A".
 2) MOVE THE WHEEL LOCK TO POSITION SHOWN.
 3) INSERT WASHER AND SCREW, TIGHTEN HARDWARE TO APPROPRIATE SPECIFICATIONS.

1579-107665

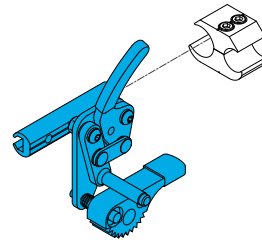
Quickie, Grade Aid Wheel Lock, Left Side Push Assembly



NOTE: REVERSE CONFIGURATION REQUIRES REMOVAL AND REASSEMBLY OF THE WHEEL LOCK.
 1) REMOVE THE CAP SCREW AND PLASTIC WASHER AT LOCATIONS "A".
 2) MOVE THE WHEEL LOCK TO POSITION SHOWN.
 3) INSERT WASHER AND SCREW, TIGHTEN HARDWARE TO APPROPRIATE SPECIFICATIONS.

1579-107666

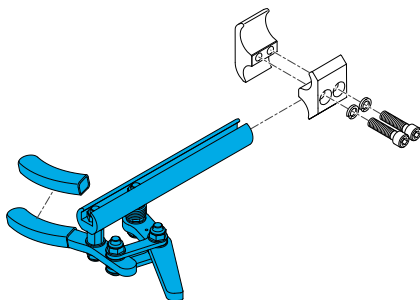
Quickie, Grade Aid Wheel Lock, Right Side Push Assembly



NOTE: REVERSE CONFIGURATION REQUIRES REMOVAL AND REASSEMBLY OF THE WHEEL LOCK.
 1) REMOVE THE CAP SCREW AND PLASTIC WASHER AT LOCATIONS "A".
 2) MOVE THE WHEEL LOCK TO POSITION SHOWN.
 3) INSERT WASHER AND SCREW, TIGHTEN HARDWARE TO APPROPRIATE SPECIFICATIONS.

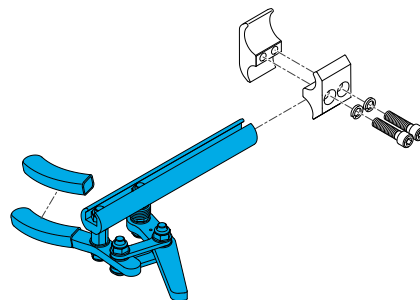
1579-104726-001

Quickie, Scissor Wheel Lock Unit Right Side Only

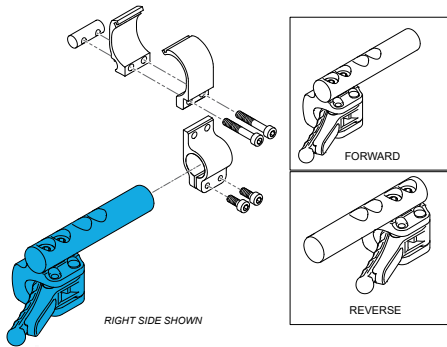


1579-104726-002

Quickie, Scissor Wheel Lock Unit Left Side Only



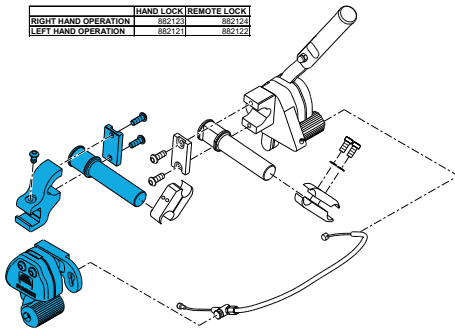
Quickie, Compact Wheel Lock, _____, _____ Mounted Unit Only



Description	Product Codes
Forward, Left	1579-66006100-301
Forward, Right	1579-66006100-302
Reverse, Left	1579-66006100-401
Reverse, Right	1579-66006100-402

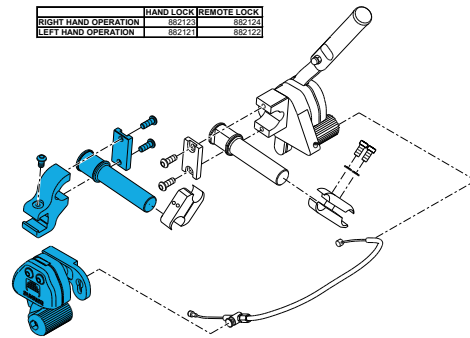
1579-882124

Quickie, Unilateral (One Hand) Wheel Lock, Right Hand, Remote Lock Unit Assembly, Mounts Left Side



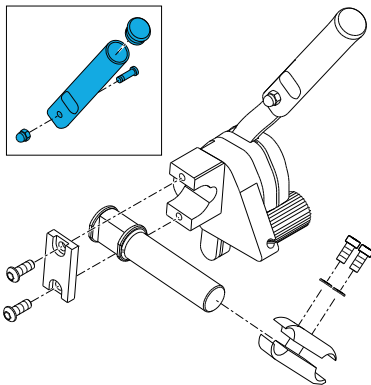
1579-882122

Quickie, Unilateral (One Hand) Wheel Lock, Left Hand, Remote Lock Unit Assembly, Mounts Right Side



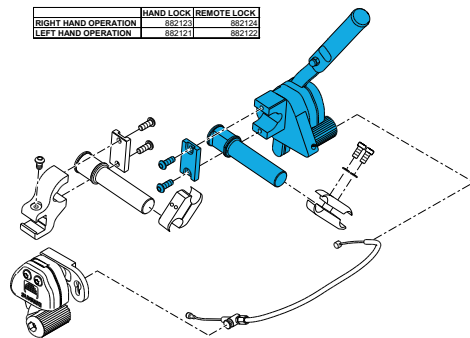
1579-883300

Quickie, Unilateral (One Hand) Wheel Lock, Handle Replacement Kit



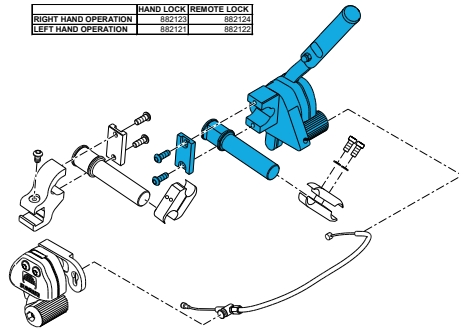
1579-882123

Quickie, Unilateral (One Hand) Wheel Lock, Left Hand Lock Unit Assembly, Mounts Right Side

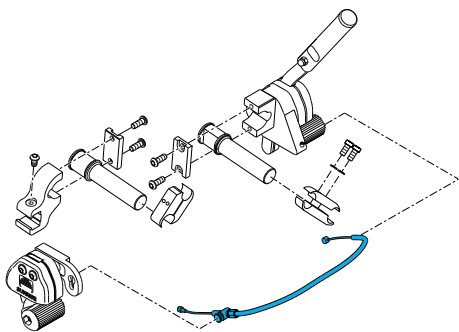


1579-882121

Quickie, Unilateral (One Hand) Wheel Lock, Right Hand Lock
Unit Assembly, Mounts Left Side



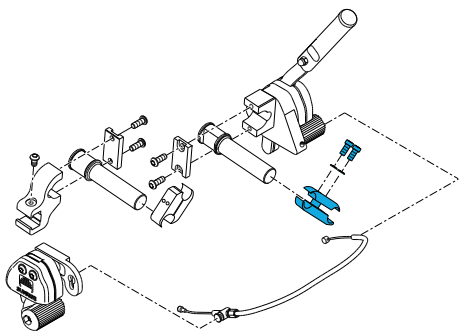
Quickie, Unilateral (One Hand) Wheel Lock, _____ Cable Assembly for _____" Wide Chairs



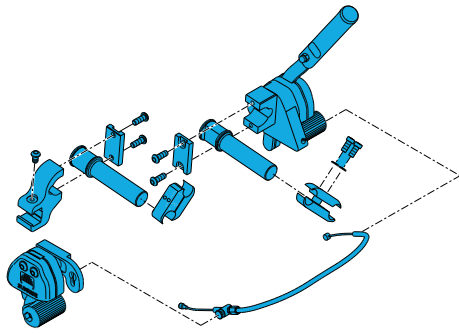
Description	Product Codes
Short, 11-14"	1579-341760
Medium, 15-18"	1579-341761
Long, 19-22"	1579-341762

1579-880422

Quickie, Wheel Lock, Long Clamp Assembly



Quickie, Unilateral (One Hand) Wheel Lock ____ Side, Complete ____ Assembly



Description	Product Codes
RH, Short	1579-902184
RH, Medium	1579-902186
RH, Long	1579-902188
LH, Short	1579-902183
LH, Medium	1579-902185
LH, Long	1579-902187

1579-161930

Quickie, Wheel Lock Handle Extension Assembly Pair



Rear Wheels

Quickie, Lite Spoke Wheel Assembly; Hub, Spokes and Rim ____"



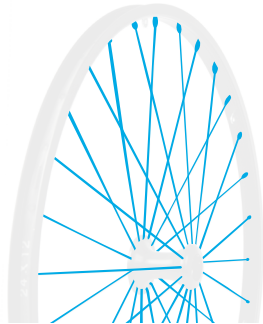
Wheel Size	Product Codes
20" (451)	1579-118755
22" (501)	1579-118756
24" (540)	1579-107131
25" (559)	1579-118764
26" (590)	1579-118760

1579-349500

Quickie, Wheel Replacement Bearing



Quickie, Lite Spoke ___" Wheel Spoke Kit: Kit Contains 6 Inner and 6 Outer Spokes



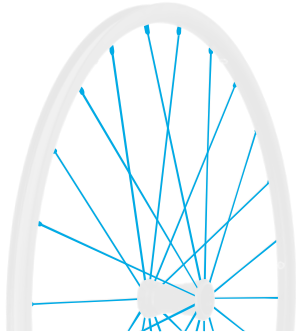
Wheel Size	Product Codes
20"	1579-118100
22"	1579-118101
24"	1579-118102
25"	1579-118103
26"	1579-118104

Quickie, Ultra-Lite Spoke Wheel Assembly; Hub, Spokes and Rim ___"



Wheel Size	Product Codes
20"	1579-112857
22"	1579-112858
24"	1579-112859
25"	1579-112860

Quickie, Ultra-Lite Spoke ___" Wheel Spoke Kit



Wheel Size	Product Codes
20"	1579-118105
22"	1579-118106
24"	1579-118107
25"	1579-118108

Spinergy SPOX Everyday ___", ___ Spokes with ___ Hub



Wheel Size	Spoke Colour	Hub Colour	Product Codes
20"	Black	Silver	1579-L.20.18.111
20"	Blue	Black	1579-L.20.18.122
20"	Red	Black	1579-L.20.18.133
20"	White	Black	1579-L.20.18.155
20"	Yellow	Black	1579-L.20.18.144
22"	Black	Silver	1579-L.22.18.111
22"	Blue	Black	1579-L.22.18.122
22"	Red	Black	1579-L.22.18.133
22"	White	Black	1579-L.22.18.155
22"	Yellow	Black	1579-L.22.18.144
25"	Black	Silver	1579-L.25.18.111
25"	Blue	Black	1579-L.25.18.122
25"	Red	Black	1579-L.25.18.133
25"	White	Black	1579-L.25.18.155
25"	Yellow	Black	1579-L.25.18.144
26"	Black	Silver	1579-L.26.18.111
26"	Blue	Black	1579-L.26.18.122
26"	Red	Black	1579-L.26.18.133
26"	White	Black	1579-L.26.18.155
26"	Yellow	Black	1579-L.26.18.144

Quickie, ___" Poly Tire, Per Each



Wheel Size	Product Codes
20"	1579-386232
22" (501)	1579-386242
24" (540)	1579-386252

Quickie, ___" Pneumatic Tire Grey Block Tread



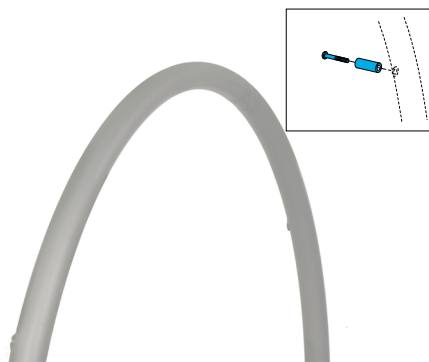
Wheel Size	Product Codes
20"	1579-385250
22"	1579-385275
24"	1579-385300
26"	1579-385325
24" x 2.125"	1579-384614

Schwalbe Marathon Plus Tire Black; ___" (___mm)



Wheel Size	Product Codes
22" (489)	1579-102066-004
24" (540)	1579-102066-001
25" (559)	1579-102066-002
26" (590)	1579-102066-003

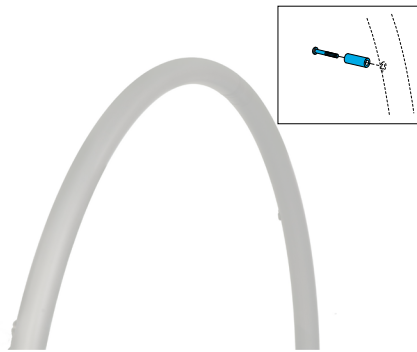
Quickie, Screw Mount Aluminium Anodised Handrim with Hardware for ___" Lite Spoke Wheel



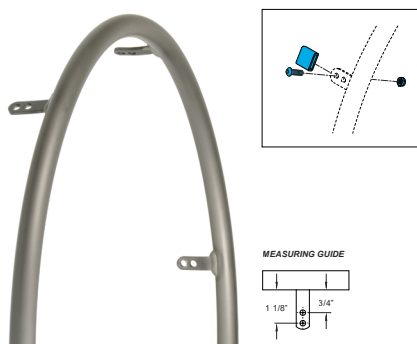
Wheel Size	Product Codes
20"	1579-159508
22"	1579-159509
24"	1579-159510
25"	1579-159511
26"	1579-159512

1579-159513

Quickie, Lite Spoke Wheel with Aluminium Handrim Hardware



Quickie, Tab (6) Mount Anodised Handrim; For use with ___" (___) Spinegy, Quickie Spoke & Cross Spoke



Wheel Size	Product Codes
24 " (540)	1579-529529
25 " (559)	1579-425038
6 " (590)	1579-425050

Quickie, Screw Mount Natural Fit Thumb Guard; For use with ___" (___) Natural Fit Handrims



Wheel Size	Product Codes
22 " (501)	1579-102168-001
24 " (540)	1579-102168-003
25 " (559)	1579-102168-005
26 " (590)	1579-102168-007

Quickie, Screw Mount Natural Fit Super Grip Thumb Guard; For use with ___ (___) Natural Fit Handrims



Wheel Size	Product Codes
22" (501)	1579-102168-002
24" (540)	1579-102168-004
25" (559)	1579-102168-006
26" (590)	1579-102168-008

Quickie, Screw Mount Natural Fit LT Handrim; For use with ___ (___) Spinergy, Quickie Spoke & Cross Spoke



Wheel Size	Product Codes
22" (501)	1579-159516
24" (540)	1579-159517
25" (559)	1579-159518
26" (590)	1579-159519

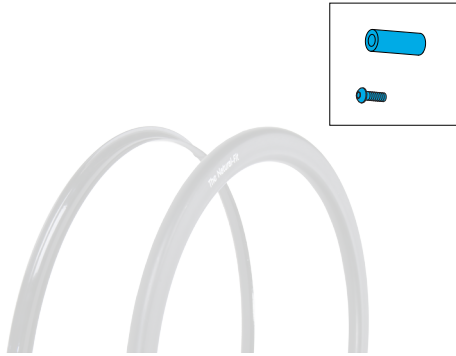
Quickie, Screw Mount Natural Fit Handrim with Hardware; For use with ___ (___) Spinergy, Quickie Spoke & Cross Spoke



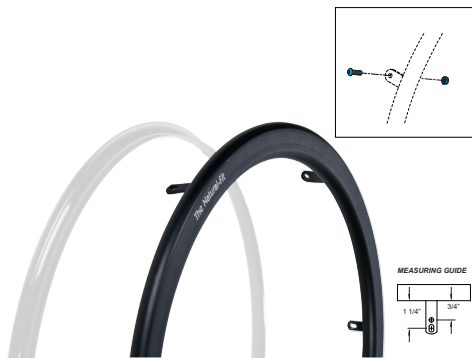
Wheel Size	Product Codes
22" (501)	1579-159520
24" (540)	1579-159521
25" (559)	1579-159522
26" (590)	1579-159523

1579-159524

Quickie, Natural Fit LT Screw Mount Handrim Hardware,
Set of 6



Quickie, Screw Mount Natural Fit Handrim with Hardware; For use with ___" (___) Spinerig, Quickie Spoke & Cross Spoke



Wheel Size	Product Codes
22" (501)	1579-159525
24" (540)	1579-159526
25" (559)	1579-159527
26" (590)	1579-159528

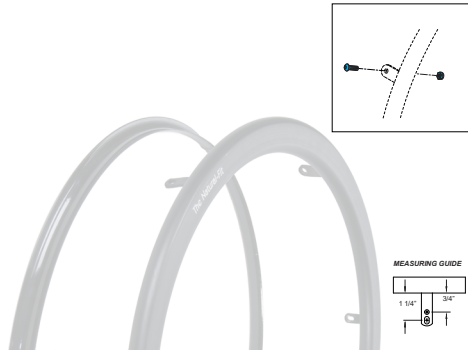
Quickie, Tab (6) Mount Natural Fit Handrim with Hardware; For use with ___" (___) Spinerig, Quickie Spoke & Cross Spoke



Wheel Size	Product Codes
22" (501)	1579-159529
24" (540)	1579-159530
25" (559)	1579-159531
26" (590)	1579-159532

1579-159533

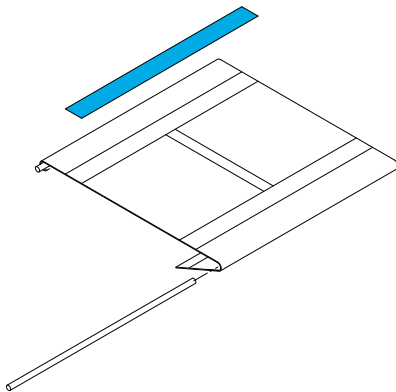
Quickie, Natural Fit LT Tab Mount Handrim Hardware, Set of 6



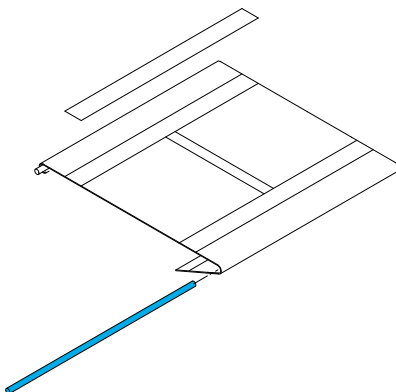
Seating Parts

1579-901169

Quickie, Seat Sling Velcro Strips 2"

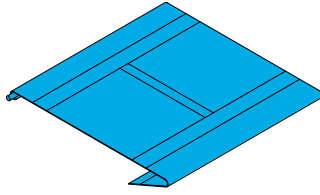


Quickie 2, Seat Rail Rod ____ " Deep



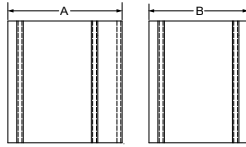
Depth	Product Codes
12 "	1579-106584
13 "	1579-106585
14 "	1579-106586
15 "	1579-106587
16 "	1579-106588
17 "	1579-106589
18 "	1579-106590
19 "	1579-106591
20 "	1579-106592
21 "	1579-252137
22 "	1579-252138

Quickie 2, Seat Sling 12" X ____"



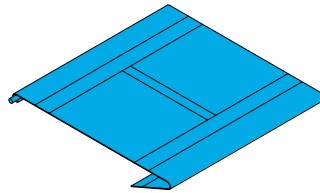
MEASURING GUIDE

CHAIR WIDTH	DIM A	DIM B
12"	16.5"	13.5"
13"	17.5"	14.5"
14"	18.5"	15.5"
15"	19.5"	16.5"
16"	20.5"	17.5"
17"	21.5"	18.5"
18"	22.5"	19.5"
19"	23.5"	20.5"
20"	24.5"	21.5"
21"	25.5"	22.5"
22"	26.5"	23.5"



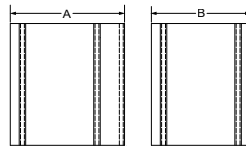
Width	Product Codes
10"	1579-722590
11"	1579-722591
12"	1579-722592
13"	1579-722593
14"	1579-722594
15"	1579-722595
16"	1579-722596
17"	1579-722597

Quickie 2, Seat Sling 13" X ____"



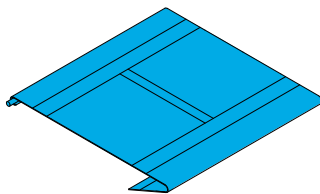
MEASURING GUIDE

CHAIR WIDTH	DIM A	DIM B
12"	16.5"	13.5"
13"	17.5"	14.5"
14"	18.5"	15.5"
15"	19.5"	16.5"
16"	20.5"	17.5"
17"	21.5"	18.5"
18"	22.5"	19.5"
19"	23.5"	20.5"
20"	24.5"	21.5"
21"	25.5"	22.5"
22"	26.5"	23.5"



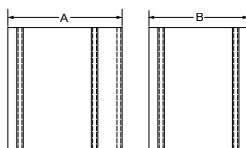
Width	Product Codes
10"	1579-722600
11"	1579-722601
12"	1579-722602
13"	1579-722603
14"	1579-722604
15"	1579-722605
16"	1579-722606
17"	1579-722607
18"	1579-722608

Quickie 2, Seat Sling 14" X ____"



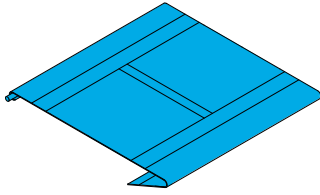
MEASURING GUIDE

CHAIR WIDTH	DIM A	DIM B
12"	16.5"	13.5"
13"	17.5"	14.5"
14"	18.5"	15.5"
15"	19.5"	16.5"
16"	20.5"	17.5"
17"	21.5"	18.5"
18"	22.5"	19.5"
19"	23.5"	20.5"
20"	24.5"	21.5"
21"	25.5"	22.5"
22"	26.5"	23.5"



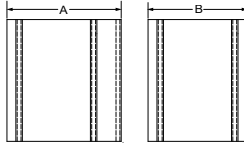
Depth	Product Codes
10"	1579-722616
11"	1579-722617
12"	1579-722618
13"	1579-722619
14"	1579-722620
15"	1579-722621
16"	1579-722622
17"	1579-722623
18"	1579-722624
19"	1579-722625
20"	1579-722626

Quickie 2, Seat Sling 15 " X ____"



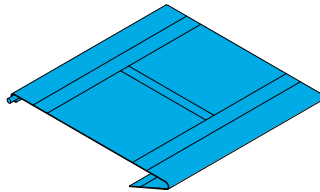
MEASURING GUIDE

CHAIR WIDTH	DIM A	DIM B
12"	16.5"	13.5"
13"	17.5"	14.5"
14"	18.5"	15.5"
15"	19.5"	16.5"
16"	20.5"	17.5"
17"	21.5"	18.5"
18"	22.5"	19.5"
19"	23.5"	20.5"
20"	24.5"	21.5"
21"	25.5"	22.5"
22"	26.5"	23.5"



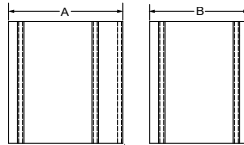
Width	Product Codes
14 "	1579-722630
15 "	1579-722631
16 "	1579-722632
17 "	1579-722633
18 "	1579-722634
19 "	1579-722635
20 "	1579-722636

Quickie 2, Seat Sling 16 " X ____"



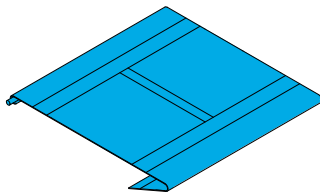
MEASURING GUIDE

CHAIR WIDTH	DIM A	DIM B
12"	16.5"	13.5"
13"	17.5"	14.5"
14"	18.5"	15.5"
15"	19.5"	16.5"
16"	20.5"	17.5"
17"	21.5"	18.5"
18"	22.5"	19.5"
19"	23.5"	20.5"
20"	24.5"	21.5"
21"	25.5"	22.5"
22"	26.5"	23.5"



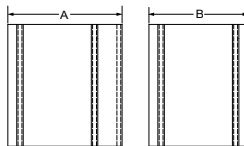
Width	Product Codes
14 "	1579-722640
15 "	1579-722641
16 "	1579-722642
17 "	1579-722643
18 "	1579-722644
19 "	1579-722645
20 "	1579-722646

Quickie 2, Seat Sling 17 " X ____"



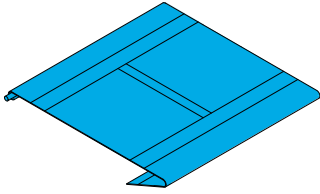
MEASURING GUIDE

CHAIR WIDTH	DIM A	DIM B
12"	16.5"	13.5"
13"	17.5"	14.5"
14"	18.5"	15.5"
15"	19.5"	16.5"
16"	20.5"	17.5"
17"	21.5"	18.5"
18"	22.5"	19.5"
19"	23.5"	20.5"
20"	24.5"	21.5"
21"	25.5"	22.5"
22"	26.5"	23.5"



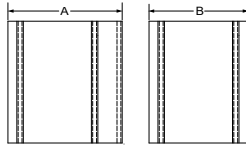
Width	Product Codes
14 "	1579-722650
15 "	1579-722651
16 "	1579-722652
17 "	1579-722653
18 "	1579-722654
19 "	1579-722655
20 "	1579-722656

Quickie 2, Seat Sling 18 " X ____ "



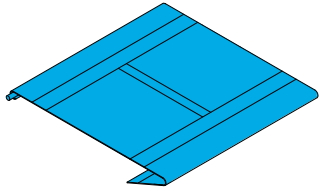
MEASURING GUIDE

CHAIR WIDTH	DIM A	DIM B
12"	16.5"	13.5"
13"	17.5"	14.5"
14"	18.5"	15.5"
15"	19.5"	16.5"
16"	20.5"	17.5"
17"	21.5"	18.5"
18"	22.5"	19.5"
19"	23.5"	20.5"
20"	24.5"	21.5"
21"	25.5"	22.5"
22"	26.5"	23.5"



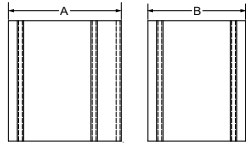
Width	Product Codes
14 "	1579-722660
15 "	1579-722661
16 "	1579-722662
17 "	1579-722663
18 "	1579-722664
19 "	1579-722665
20 "	1579-722666

Quickie 2, Seat Sling 19 " X ____ "



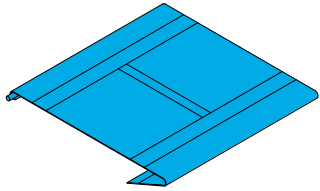
MEASURING GUIDE

CHAIR WIDTH	DIM A	DIM B
12"	16.5"	13.5"
13"	17.5"	14.5"
14"	18.5"	15.5"
15"	19.5"	16.5"
16"	20.5"	17.5"
17"	21.5"	18.5"
18"	22.5"	19.5"
19"	23.5"	20.5"
20"	24.5"	21.5"
21"	25.5"	22.5"
22"	26.5"	23.5"



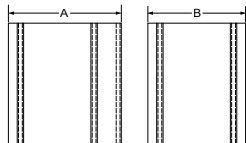
Width	Product Codes
14 "	1579-722670
15 "	1579-722671
16 "	1579-722672
17 "	1579-722673
18 "	1579-722674
19 "	1579-722675
20 "	1579-722676

Quickie 2, Seat Sling 20 " X ____ "



MEASURING GUIDE

CHAIR WIDTH	DIM A	DIM B
12"	16.5"	13.5"
13"	17.5"	14.5"
14"	18.5"	15.5"
15"	19.5"	16.5"
16"	20.5"	17.5"
17"	21.5"	18.5"
18"	22.5"	19.5"
19"	23.5"	20.5"
20"	24.5"	21.5"
21"	25.5"	22.5"
22"	26.5"	23.5"

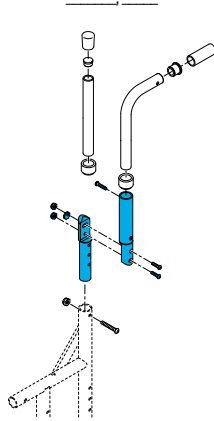


Width	Product Codes
14 "	1579-722680
15 "	1579-722681
16 "	1579-722682
17 "	1579-722683
18 "	1579-722684
19 "	1579-722685
20 "	1579-722686

Back Canes

Angle Adjustable Back

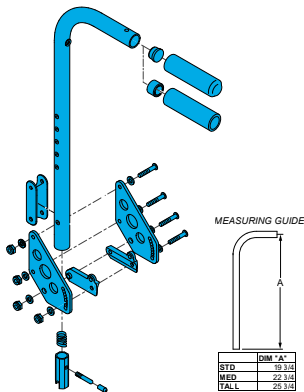
Quickie 2, Angle Adjustable Back Cane Mechanism



Description	Product Codes
STD, LH	1579-820742
STD, RH	1579-820744
Tall, LH	1579-820743
Tall, RH	1579-820745

Depth Adjustable Back

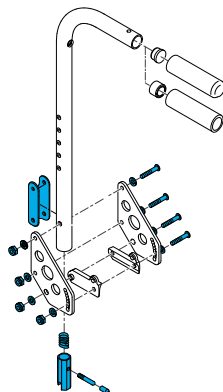
Quickie 2, Depth Adjustable Back _____ Push Handle and Mounting Plate, _____ Side Assembly



Description	Product Codes
Low, RH	1579-881846
Low, LH	1579-105390
Medium, RH	1579-881845
Medium, LH	1579-105389
Tall, RH	1579-881847
Tall, LH	1579-105395

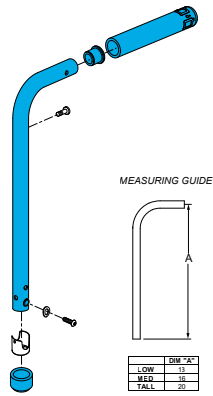
1579-920328

Quickie 2, Backrest Mount, latch Kit



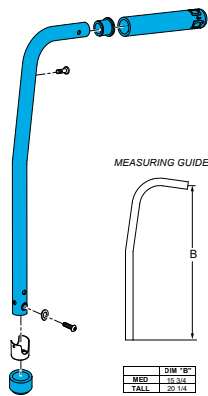
Canes and Push Handles

Quickie 2, Back Straight ____ Push Handle, ____ Side Assembly



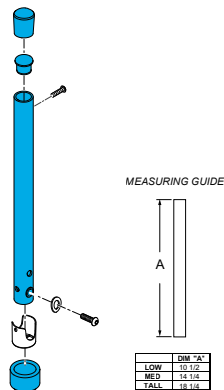
Description	Product Codes
Low, RH	1579-107341
Low, LH	1579-107342
Medium, RH	1579-107343
Medium, LH	1579-107344
Tall, RH	1579-107345
Tall, LH	1579-107346

Quickie 2, Back Straight ____ Push Handle, ____ Side Assembly



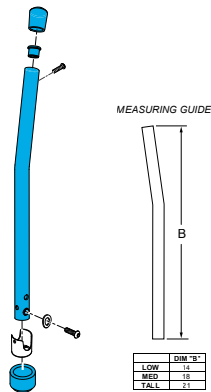
Description	Product Codes
Medium, RH	1579-107333
Medium, LH	1579-107334
Tall, RH	1579-107335
Tall, LH	1579-107336

Quickie 2, Back Straight ____ Tube, ____ Side Assembly



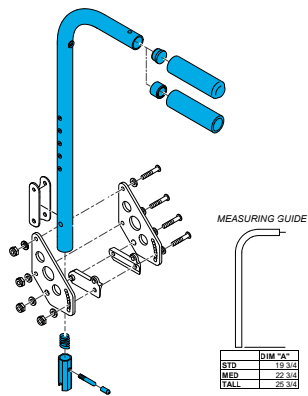
Description	Product Codes
Low, RH	1579-107327
Low, LH	1579-107328
Medium, RH	1579-107329
Medium, LH	1579-107330
Tall, RH	1579-107331
Tall, LH	1579-107332

Quickie 2, Back 8 Degree ____ Tube, Right Side Assembly



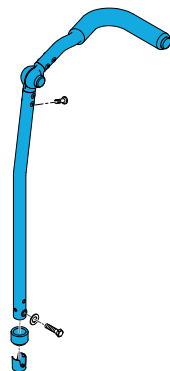
Description	Product Codes
Medium, RH	1579-107337
Medium, LH	1579-107338
Tall, RH	1579-107339
Tall, LH	1579-107340

Quickie 2, Depth Adjustable Back, ____ Push Handle



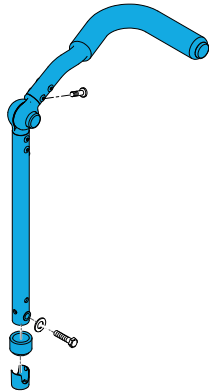
Description	Product Codes
Low	1579-920390
Medium	1579-920389
Tall	1579-920391

Quickie 2, Standard Back Style, ____ Height Adjustable ____", 8 Degree Stroller Right Side Push Handle



Size	Height	Side	Product Codes
Medium	12-15"	Right	1579-134463
Medium	12-15"	Left	1579-134464
Tall	16-19"	Right	1579-134465
Tall	16-19"	Left	1579-134466

Quickie 2, Standard Back Style, _____ Height Adjustable
 _____, Straight Stroller _____ Side Push Handle

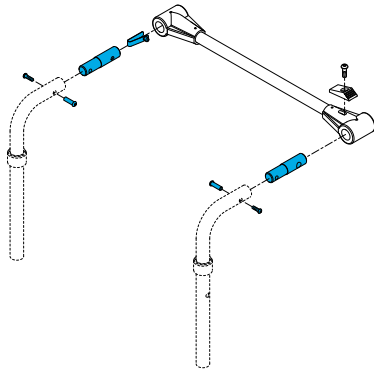


Size	Length	Side	Product Codes
Low	9-12"	Right	1579-134467
Low	9-12"	Left	1579-134468
Medium	12-15"	Right	1579-134469
Medium	12-15"	Left	1579-134470
Tall	16-19"	Right	1579-134471
Tall	16-19"	Left	1579-134472

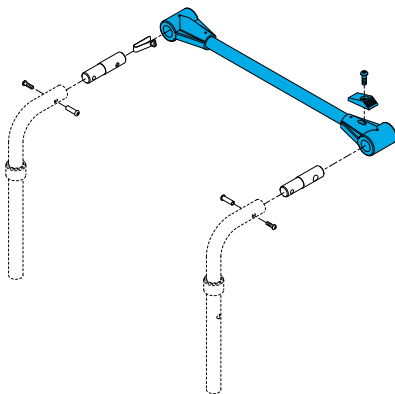
Cross Bar

1579-116604

Quickie 2, Stabiliser Bar Mounting Kit for Depth Adjustable
 Back (1" Tube)



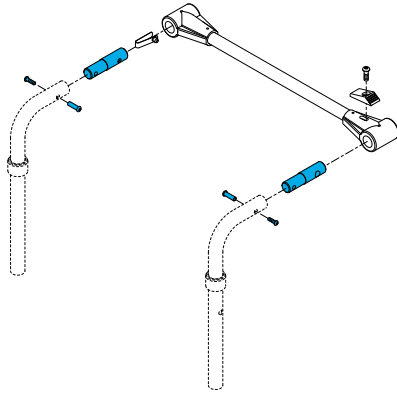
Quickie 2, Stabiliser Cross Bar Assembly, _____ " Wide



Width	Product Codes
12 "	1579-820693
13 "	1579-820694
14 "	1579-820695
15 "	1579-820696
16 "	1579-820697
17 "	1579-820698
18 "	1579-820700
19 "	1579-820701
20 "	1579-820702
21 "	1579-820703
22 "	1579-820704

1579-885015

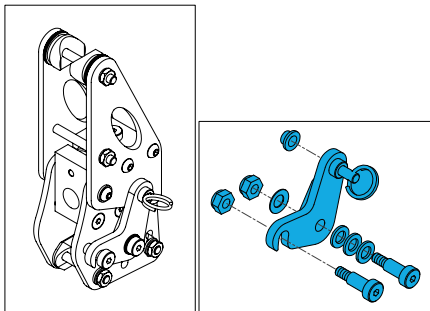
Quickie 2, Stabiliser Cross Bar Mounting Kit for Standard Back



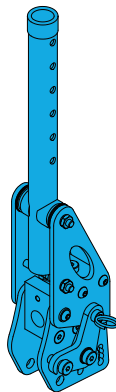
Dynamic Back

1579-120943

Quickie, Dynamic Back Latch Replacement Kit Pair



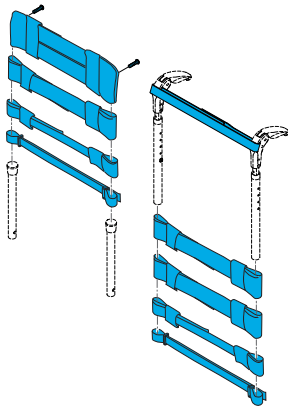
Quickie 2, Dynamic Back Cane, _____ Height _____ Side; Order with Standard Back Style Push Handle



Description	Product Codes
Standard, RH	1579-123928
Standard, LH	1579-123929
Tall, RH	1579-123930
Tall, LH	1579-123931

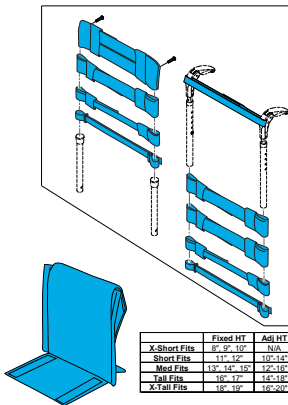
Upholstery

Quickie, Upholstery _____ " Wide Strap Kit



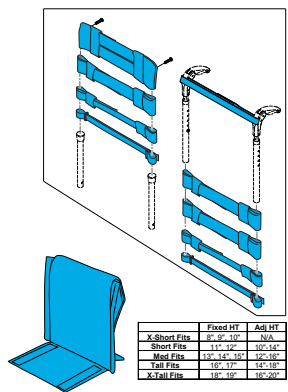
Width	Product Codes
11-12 "	1579-114879
13-14 "	1579-114880
15-16 "	1579-114881
17-18 "	1579-114882
19-20 "	1579-114883
21-22 "	1579-163951

Tension Adjustable 3DX Vented Upholstery 12 " Wide _____ Assembly



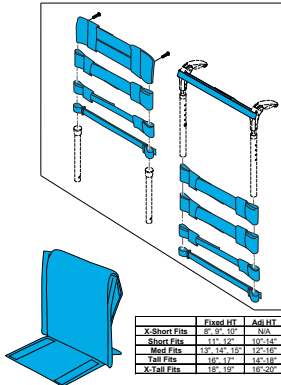
Width	Product Codes
Extra-Short	1579-113322-001
Short	1579-113322-002
Medium	1579-113322-003
Tall	1579-113322-004
Extra-Tall	1579-113322-005

Tension Adjustable 3DX Vented Upholstery 13 " Wide _____ Assembly



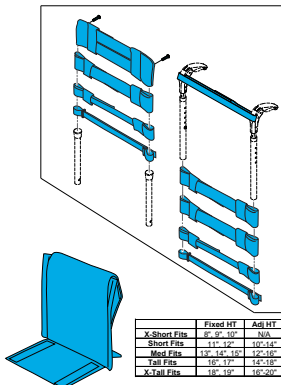
Width	Product Codes
Extra-Short	1579-113322-006
Short	1579-113322-007
Medium	1579-113322-008
Tall	1579-113322-009
Extra-Tall	1579-113322-010

Tension Adjustable 3DX Vented Upholstery 14" Wide _____
Assembly



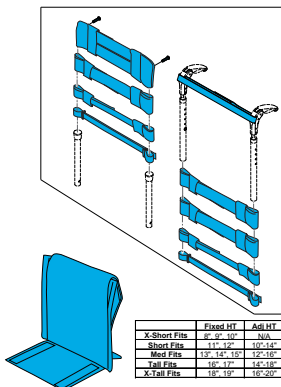
Width	Product Codes
Extra-Short	1579-113322-011
Short	1579-113322-012
Medium	1579-113322-013
Tall	1579-113322-014
Extra-Tall	1579-113322-015

Tension Adjustable 3DX Vented Upholstery 15" Wide _____
Assembly



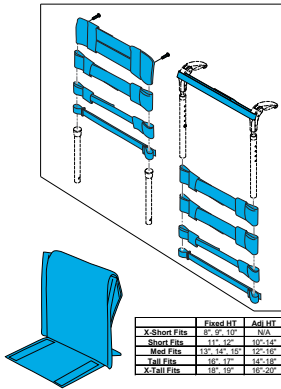
Width	Product Codes
Extra-Short	1579-113322-016
Short	1579-113322-017
Medium	1579-113322-018
Tall	1579-113322-019
Extra-Tall	1579-113322-020

Tension Adjustable 3DX Vented Upholstery 16" Wide _____
Assembly



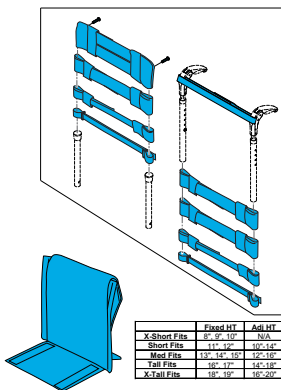
Width	Product Codes
Extra-Short	1579-113322-021
Short	1579-113322-022
Medium	1579-113322-023
Tall	1579-113322-024
Extra-Tall	1579-113322-025

Tension Adjustable 3DX Vented Upholstery 17" Wide _____
Assembly



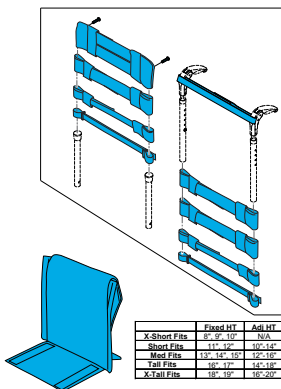
Width	Product Codes
Extra-Short	1579-113322-026
Short	1579-113322-027
Medium	1579-113322-028
Tall	1579-113322-029
Extra-Tall	1579-113322-030

Tension Adjustable 3DX Vented Upholstery 18" Wide _____
Assembly



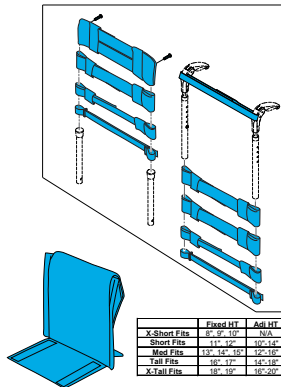
Width	Product Codes
Extra-Short	1579-113322-031
Short	1579-113322-032
Medium	1579-113322-033
Tall	1579-113322-034
Extra-Tall	1579-113322-035

Tension Adjustable 3DX Vented Upholstery 19" Wide _____
Assembly



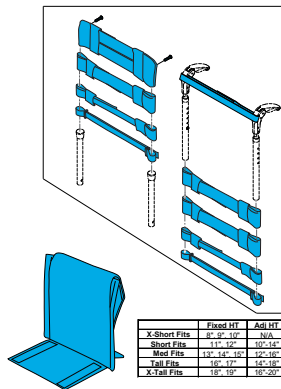
Width	Product Codes
Extra-Short	1579-113322-036
Short	1579-113322-037
Medium	1579-113322-038
Tall	1579-113322-039
Extra-Tall	1579-113322-040

Tension Adjustable 3DX Vented Upholstery 20" Wide
 _____ Assembly



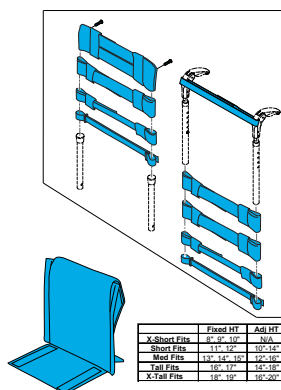
Width	Product Codes
Extra-Short	1579-113322-041
Short	1579-113322-042
Medium	1579-113322-043
Tall	1579-113322-044
Extra-Tall	1579-113322-045

Tension Adjustable 3DX Vented Upholstery 21" Wide
 _____ Assembly



Width	Product Codes
Extra-Short	1579-163993
Short	1579-163995
Medium	1579-163997
Tall	1579-163999
Extra-Tall	1579-164001

Tension Adjustable 3DX Vented Upholstery 22" Wide
 _____ Assembly

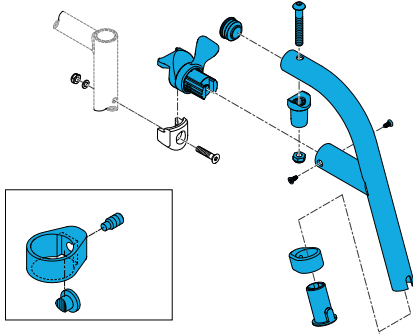


Width	Product Codes
Extra-Short	1579-164003
Short	1579-164005
Medium	1579-164007
Tall	1579-164009
Extra-Tall	1579-164011

Hangers & Footplates

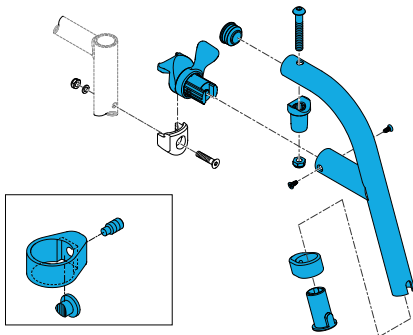
Extension Mount Hangers

70 Degree Extension Mount Hanger _____, Plunger Style,
_____ Opal



Side	Colour	Product Codes
Left	Black	1568-5072-L00
Right	Black	1568-5072-R00
Left	Specify Colour	1568-5072-LXX
Right	Specify Colour	1568-5072-RXX

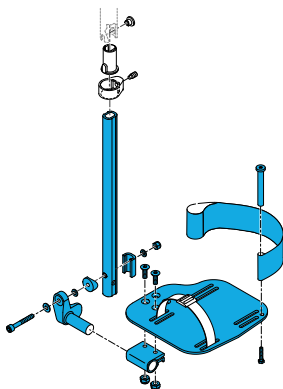
80 Degree Extension Mount Hanger _____, Plunger Style,
_____ Opal



Side	Colour	Product Codes
Left	Black	1568-5082-L99
Right	Black	1568-5082-R99
Left	Specify Colour	1568-5082-LXX
Right	Specify Colour	1568-5082-RXX

Extension Mount Footplates

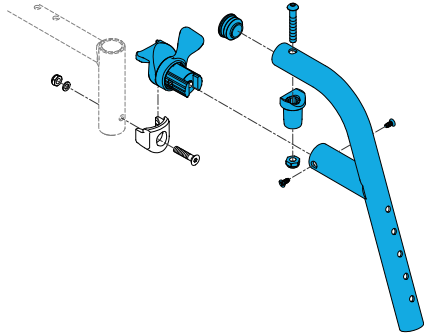
Adult Angle Adjustable Footplate Straight Long Extension
Assembly _____ " Wide, _____



Width	Side	Product Codes
12-13 "	Left	1568-111539
12-13 "	Right	1568-111538
14-15 "	Left	1568-107963
14-15 "	Right	1568-107956
16-17 "	Left	1568-107965
16-17 "	Right	1568-107958
18-22 "	Left	1568-107968
18-22 "	Right	1568-107960

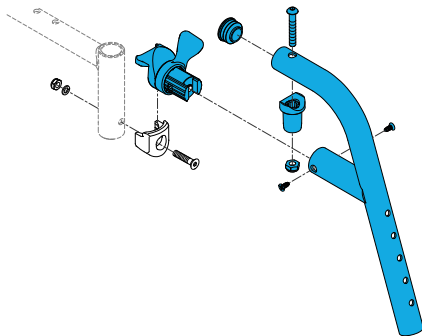
Front Mount Hangers

70 Degree Front Mount Hanger, Plunger Style, _____,
 _____ Opal



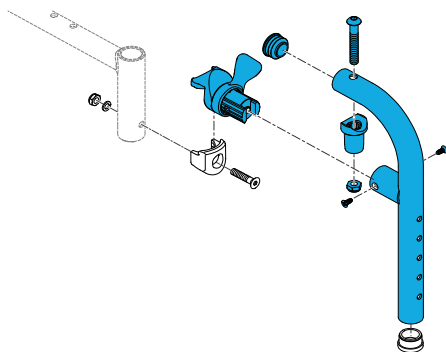
Side	Colour	Product Codes
Left	Black	1568-5070-L99
Right	Black	1568-5070-R99
Left	Specify Colour	1568-5070-LXX
Right	Specify Colour	1568-5070-RXX

80 Degree Front Mount Hanger, Plunger Style, _____,
 _____ Opal



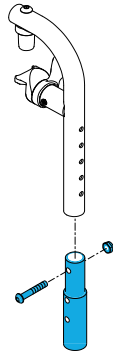
Side	Colour	Product Codes
Left	Black	1568-5080-L99
Right	Black	1568-5080-R99
Left	Specify Colour	1568-5080-LXX
Right	Specify Colour	1568-5080-RXX

90 Degree Front Mount Hanger, Plunger Style, _____,
 _____ Opal



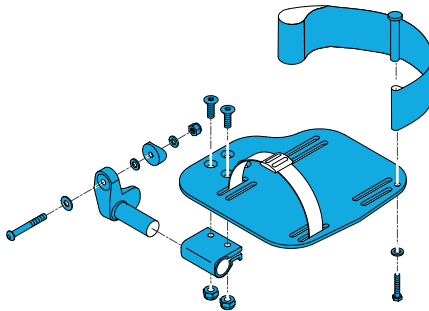
Side	Colour	Product Codes
Left	Black	1568-5090-L99
Right	Black	1568-5090-R99
Left	Specify Colour	1568-5090-LXX
Right	Specify Colour	1568-5090-RXX

Hanger extension tube for front mount footrest, ____ "
(pair)



Description	Product Codes
2 "	1568-111505
4 "	1568-111506
6 "	1568-111507

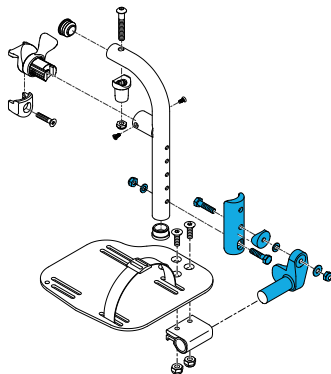
Adult Angle Adjustable Footplate Kit ____ ", ____ side



Width	Side	Product Codes
10-11 "	Left	1568-5150-10L
10-11 "	Right	1568-5150-10R
12-13 "	Left	1568-5152-12L
12-13 "	Right	1568-5152-12R
14-15 "	Left	1568-5154-14L
14-15 "	Right	1568-5154-14R
16-17 "	Left	1568-5156-17L
16-17 "	Right	1568-5156-17R
18-20 "	Left	1568-5158-18L
18-20 "	Right	1568-5158-18R

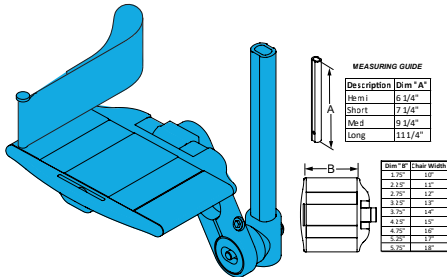
1568-129764

Adult Angle Adjustable Front Mount Adapter Kit Pair



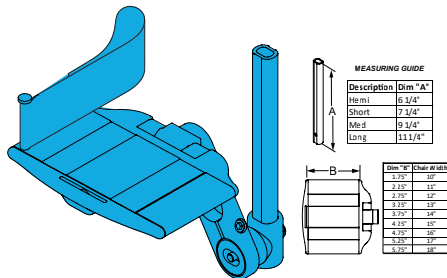
Z-Finity

Quickie/Zippie Iris 10" Z-Finity Divided Footplate (____
Long Assembly), ____ Side



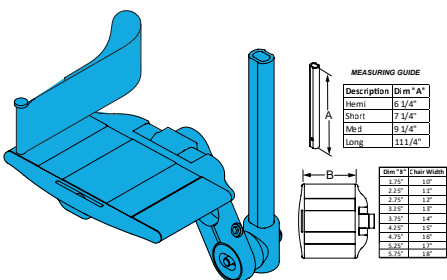
Description	Product Codes
Long, LH	1579-136315
Long, RH	1579-136314
Short, LH	1579-136280
Short, RH	1579-136279

Quickie/Zippie Iris 11" Z-Finity Divided Footplate (____
Long Assembly), ____ Side



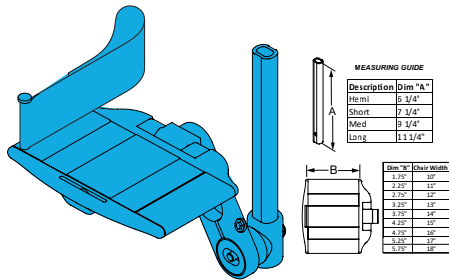
Description	Product Codes
Long, LH	1579-136317
Long, RH	1579-136316
Short, LH	1579-136282
Short, RH	1579-136281

Quickie/Zippie Iris 12" Z-Finity Divided Footplate (____
Long Assembly), ____ Side



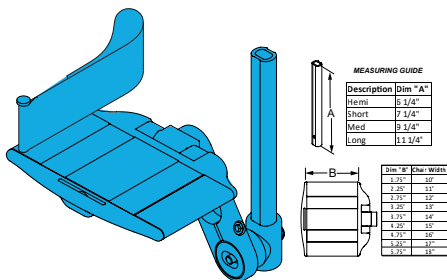
Description	Product Codes
Long, LH	1579-136319
Long, RH	1579-136318
Short, LH	1579-136283
Short, RH	1579-136282

Quickie/Zippie Iris 13" Z-Finity Divided Footplate (____
Long Assembly), ____ Side



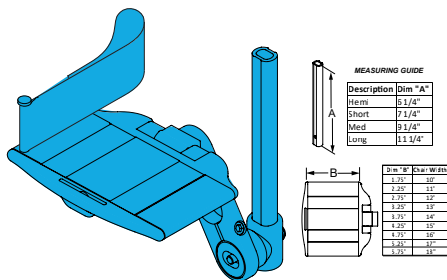
Description	Product Codes
Long, LH	1579-136321
Long, RH	1579-136320
Short, LH	1579-136285
Short, RH	1579-136284

Quickie/Zippie Iris 14" Z-Finity Divided Footplate (____
Long Assembly), ____ Side



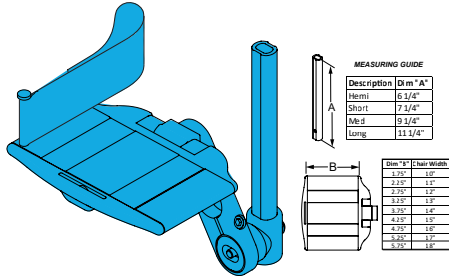
Description	Product Codes
Long, LH	1579-136323
Long, RH	1579-136322
Short, LH	1579-136287
Short, RH	1579-136286

Quickie/Zippie Iris 15" Z-Finity Divided Footplate (____
Long Assembly), ____ Side



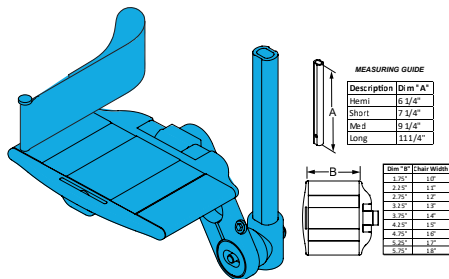
Description	Product Codes
Long, LH	1579-136325
Long, RH	1579-136324
Short, LH	1579-136289
Short, RH	1579-136288

Quickie/Zippie Iris 16" Z-Finity Divided Footplate (____
Long Assembly), ____ Side



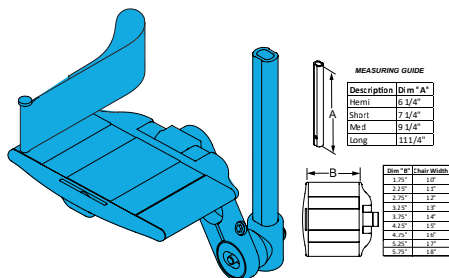
Description	Product Codes
Long, LH	1579-136327
Long, RH	1579-136326
Short, LH	1579-136291
Short, RH	1579-136290

Quickie/Zippie Iris 17" Z-Finity Divided Footplate (____
Long Assembly), ____ Side



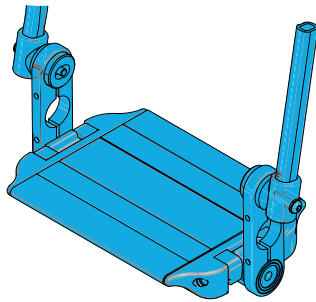
Description	Product Codes
Long, LH	1579-136329
Long, RH	1579-136328
Short, LH	1579-136293
Short, RH	1579-136292

Quickie/Zippie Iris 18" Z-Finity Divided Footplate (____
Long Assembly), ____ Side



Description	Product Codes
Long, LH	1579-136331
Long, RH	1579-136330
Short, LH	1579-136295
Short, RH	1579-136294

___ " Z-Finity Flip-Up Footplate Long Long, Platform,
One-piece



Description	Product Codes
12 "	1568-5190-012
14 "	1568-5190-014
16 "	1568-5190-016
18 "	1568-5190-018

Hanger Impact Guard

1415-5363-300

Impact Guards for Quickie Elevating Leg Hangers



1415-5360-300

Spex impact guards, for protection of 70 degree hangers



1415-5361-300

Spex impact guards, for protection of 80 & 90 degree
hangers



Footplate Padding

Quickie, Nitrum Composite Footrest Complete Short
 ____" Wide Assembly



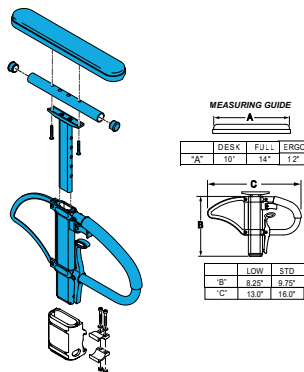
Width	Product Codes
10-11"	1415-5310-300
12-13"	1415-5312-300
14-15"	1415-5314-300
16-17"	1415-5316-300
18-22"	1415-5318-300

Armrests

Single Post Assemblies

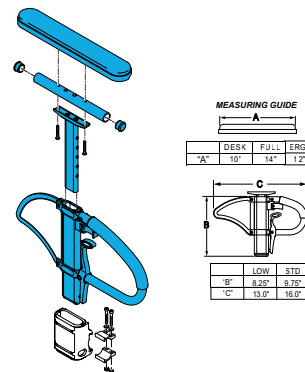
1579-161557

Single Post Height Adj Low Armrest with Classic Desk Pad, Right



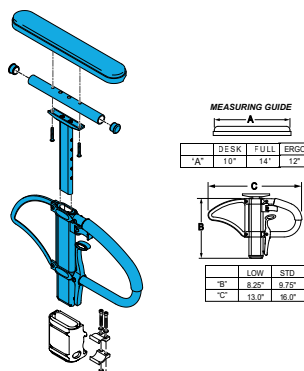
1579-161558

Single Post Height Adj Low Armrest with Classic Desk Pad, Left



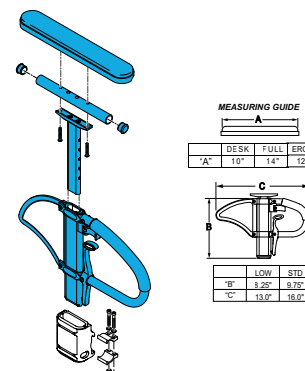
1579-161559

Single Post Height Adj Standard Armrest with Classic Desk Pad, Right



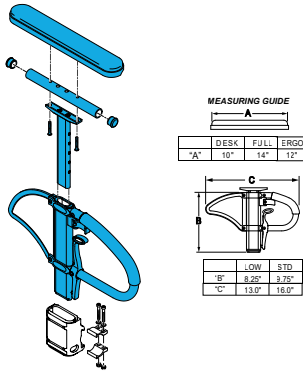
1579-161560

Single Post Height Adj Standard Armrest with Classic Desk Pad, Left



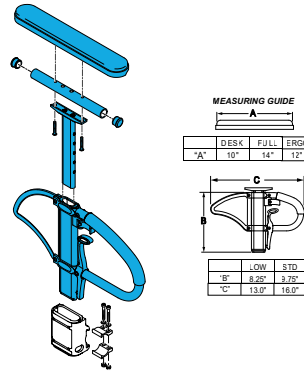
1579-161553

Single Post Height Adj Low Armrest with Classic Full Pad, Right



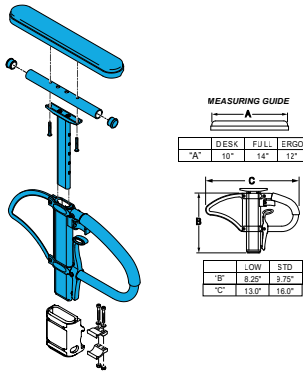
1579-161554

Single Post Height Adj Low Armrest with Classic Full Pad, Left



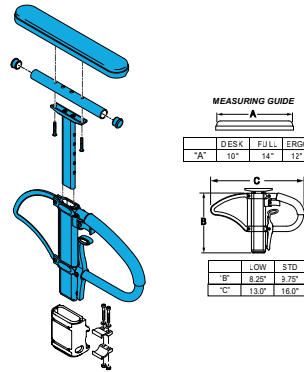
1579-161555

Single Post Height Adj Standard Armrest with Classic Full Pad, Right



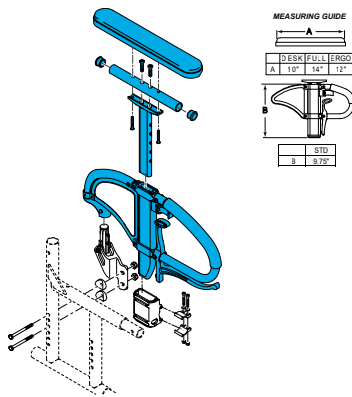
1579-161556

Single Post Height Adj Standard Armrest with Classic Full Pad, Left



Lite Flip Back Assemblies

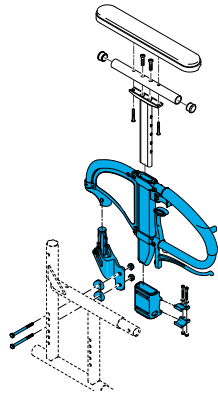
Quickie 2, Lite Flip Back Single Post Height Adjustable Armrest with ____ Length Pad ____ Side



Description	Product Codes
Desk, RH	1579-161643
Desk, LH	1579-161644
Full, RH	1579-161639
Full, LH	1579-161642

1579-159729

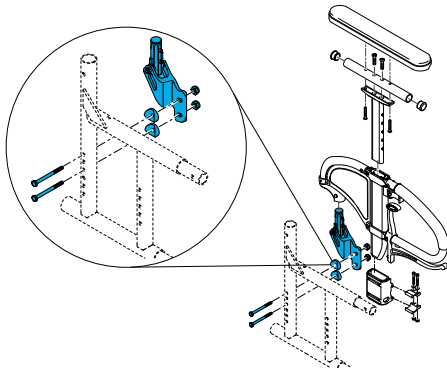
Quickie 2, Retro Fit Lite Flip Back Single Post Height Adjustable Arm Rest Kit; Order Arm Pads Separately (1579-115221 or 1579-115222)



Lite Flip Back Receivers

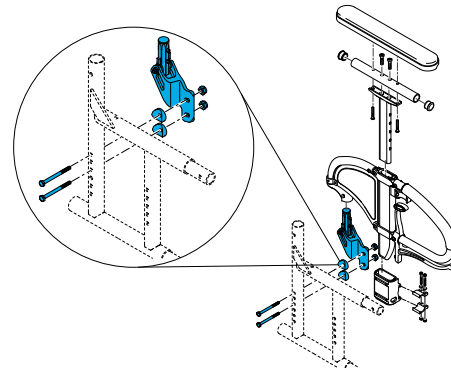
1579-159727

Quickie 2, Lite Flip Back Single Post Height Adjustable Arm Rest Rear Receiver Assembly Right Side



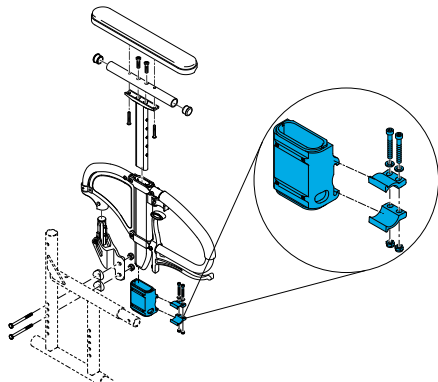
1579-159728

Quickie 2, Lite Flip Back Single Post Height Adjustable Arm Rest Rear Receiver Assembly Left Side



1579-161651

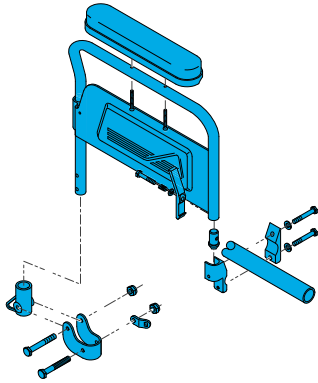
Quickie 2, Single Post Arm Rest Receiver: Front Receiver for Flip Back Arm Rest



Dual Post Flip Back Kits

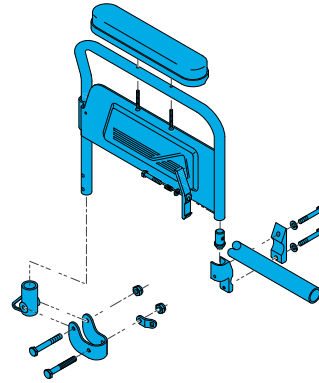
1579-161662

Quickie 2, Flip Back Arm Rest, Retro Fit Kit Right Side

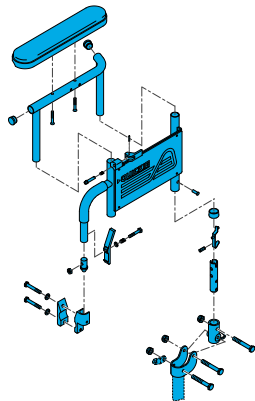


1579-161663

Quickie 2, Flip Back Arm Rest, Retro Fit Kit Left Side



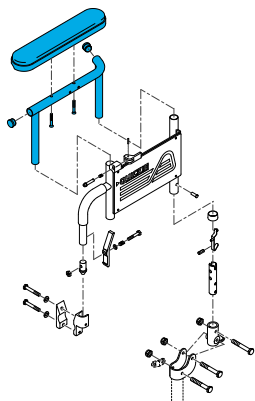
Quickie 2, Retro Fit Dual Post Flip Back Height Adjustable
Arm Rest _____ Length, _____ Side



Description	Product Codes
Desk, RH	1579-161652
Desk, LH	1579-161653
Full, RH	1579-161654
Full, LH	1579-161655

Dual Post Armrest Parts

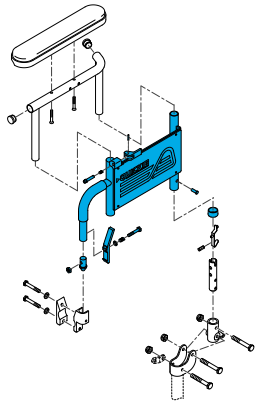
Quickie 2, Dual Post Flip Back Height Adjustable Arm Rest
Upper with _____ Length Pad _____ Side



Description	Product Codes
Desk, RH	1579-880390
Desk, LH	1579-880391
Full, RH	1579-880392
Full, LH	1579-880393

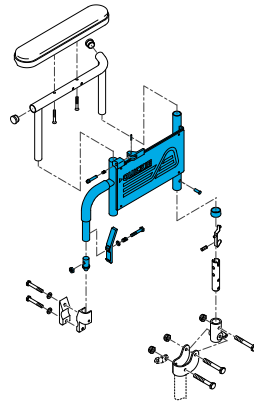
1579-880288

Quickie 2, Dual Post Flip Back Height Adjustable Arm Rest
Lower Assembly Right Side



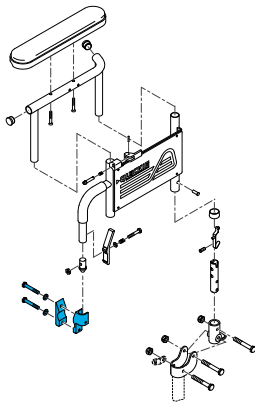
1579-880289

Quickie 2, Dual Post Flip Back Height Adjustable Arm Rest
Lower Assembly Left Side



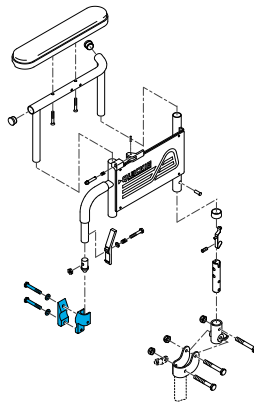
1579-880106

Quickie 2, Dual Post Flip Back Arm Rest, Front Right Receiver
with Clamp



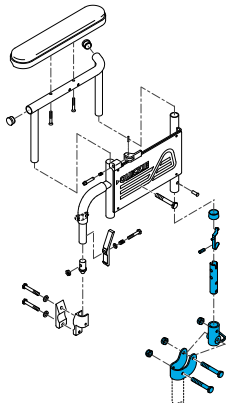
1579-880107

Quickie 2, Dual Post Flip Back Arm Rest, Front Left Receiver
with Clamp



1579-161656

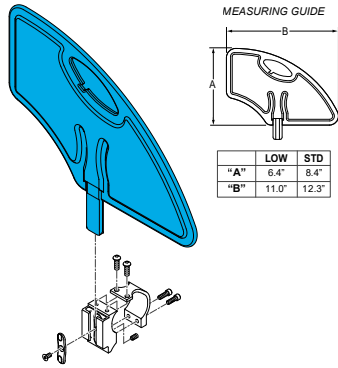
Quickie 2, Dual Post Flip Back Arm Rest Rear Receiver
with Post



Side Guards

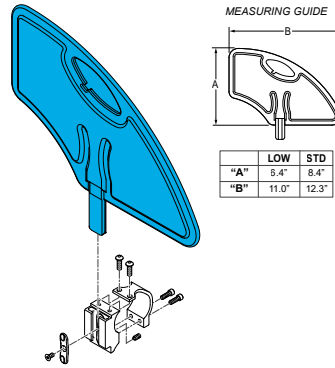
1579-104164-001

Quickie, Standard Plastic Side Guard Only



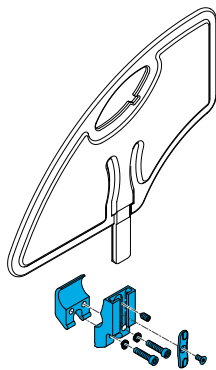
1579-104164-002

Quickie, Small Plastic Side Guard Only



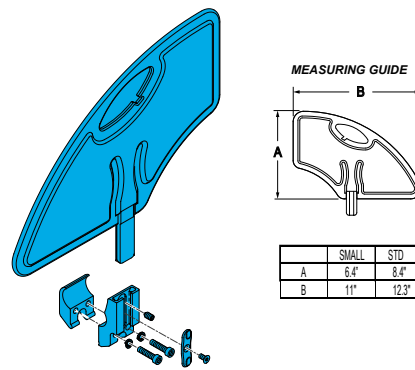
1579-107592

Quickie 2, Plastic Side Guard Receiver Assembly Per Each



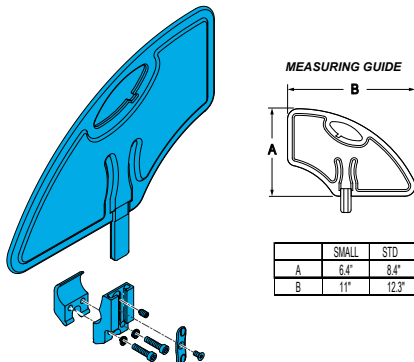
1579-107590

Quickie 2, Standard Plastic Side Guard And Receiver Assembly



1579-107591

Quickie 2, Small Plastic Side Guard And Receiver Assembly



medifab

Distributed in NZ by Medifab Ltd

22 Detroit Drive,
Rolleston, 7675
New Zealand

0800 543 343

solutions@medifab.com

www.medifab.com



DISTRIBUTED BY:

Quickie 2 Spare Parts Guide 20220822AU