

Quickie Q500 Spare Parts



**SPARE
PARTS
GUIDE**

medifab[®]

MEDIFAB.COM

Version 1, July 2022

Contents

Base	5
Battery	5
Suspension	5
Motors	8
Drive Wheel	10
Castors	11
Shroud	11
Mudguards	11
Colour Accent Kit	12
Tilt & Lift Cassette	12
Assembly	12
Parts	12
Sedeo Pro Seating	13
Assemblies	13
Short Seat Frame	15
Long Seat Frame	16
Back Frame Universal	17
Tool Adjustable Fixed Back	18
Power Semi-Recline (130 Degrees)	19
Power Recline (150°) with Anti Shear	21
Sedeo Lite Seating	22
Seat	22
Back	23
Sedeo Pro Armrests	24
Single Post	24
Cantilever Style Recline Back	25
2 Pt Armrest Lock	27
Sedeo Sideguards	27

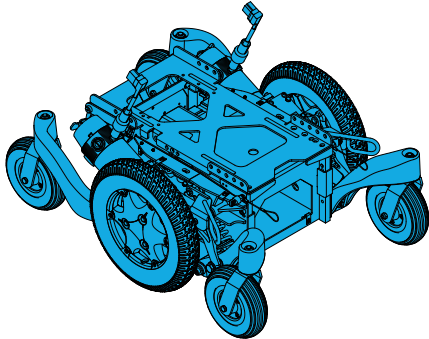
Sedeo Lite Armrests	28
Cantilever	28
Mounting Parts	28
Armrest Pads	29
Standard Sedeo Armrest Pad	29
Comfort Gel Armrest Pad	30
Comfort Foam Armrest Pad	31
Gel Trough Armrest Pad	32
Sedeo Pro Legrests	32
Swingaway Mounts	32
Swing Away 70 Degree Assembly	32
Swing Away 70 Degree Hangers	33
Swingaway Manual ELR Assembly	33
Swingaway Manual ELR Hangers	33
Swingaway Power ELR Assembly	34
Swingaway Power ELR Parts	34
Swingaway Hanger Footplates	35
Knee & Calf Pads	35
Power Centre Mount Mechanical Ext	37
Power Centre Mount ELR Power Ext	37
Power Centre Mount Parts	37
Power Centre Mount Wiring	39
Sedeo Lite Legrests	40
Angle Adjustable Centre Mount	40
Fixed Centre Mount Assembly	41
Fixed Centre Mount Parts	42
Fixed Centre Mount Dual Footplate	42
Parts	42
Knee Pads	43

Headrests	44
Joystick	45
CJSM2	45
CJSM1	46
LED	46
Mounts	46
Parts	48
Attendant Joystick	51
Attendant Mounting Systems	51
Accessory Electronics	52
RNET Cables	54
Bus Cables/Harness	54
Battery Harness	56
Wiring	56
Lighting	59

Base

1600-241248

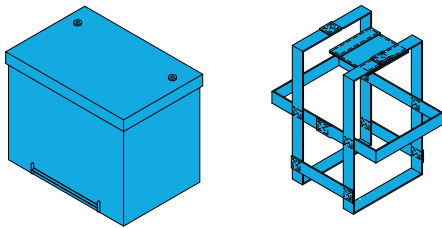
Quickie Power, Q500M Complete Base with Black Frame and Black Tires; Includes Base, Suspension, Castors, Wheels and Motors



Battery

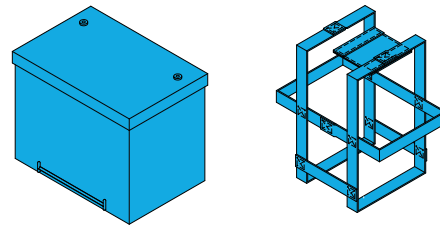
1600-9380-G24S

Gel Battery 12V 74A - For Use with Adult Powerchairs



1600-9380-G24

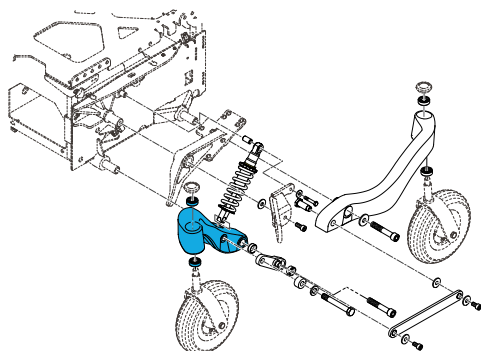
Gel Battery 12V 60A - For Use with Adult Powerchairs



Suspension

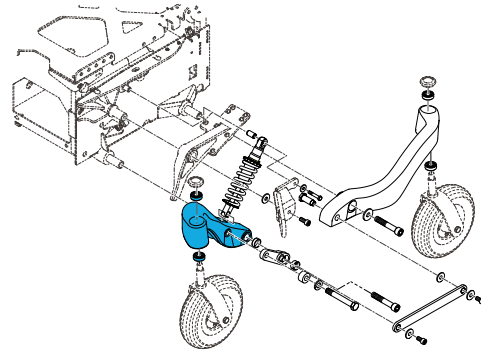
1600-161941

Quickie Power, Q500M Front Right Caster Arm Assembly with Bearings



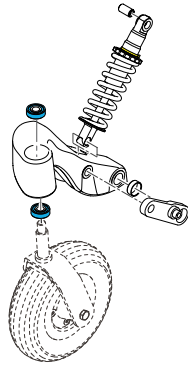
1600-161942

Quickie Power, Q500M Front Left Caster Arm Assembly With Bearings



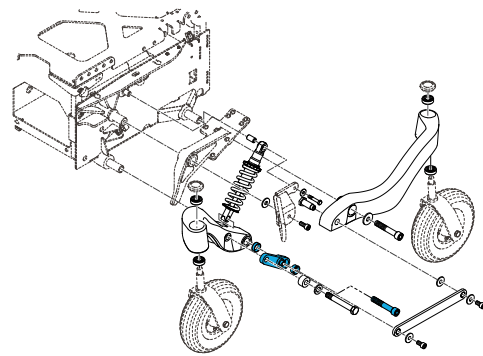
1600-101686

Quickie Power, Q500M Suspension Arm Bearing



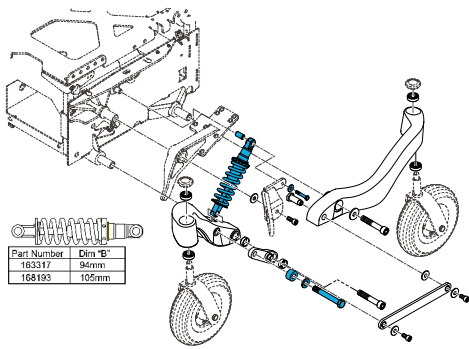
1600-252365

Quickie Power, Q500M Midlink Front Pivot Kit



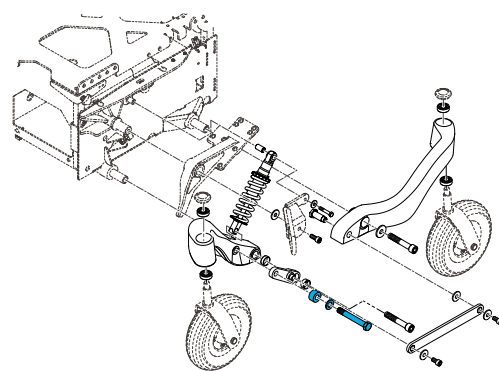
1600-163317

Quickie Power, Q500M Front Suspension Kit With Hardware:
For one side Only



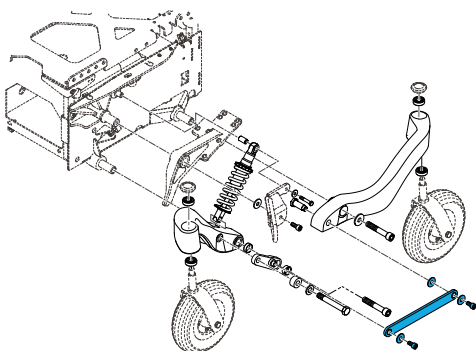
1600-161940

Quickie Power, Q500M Suspension Front Stop kit for
one side



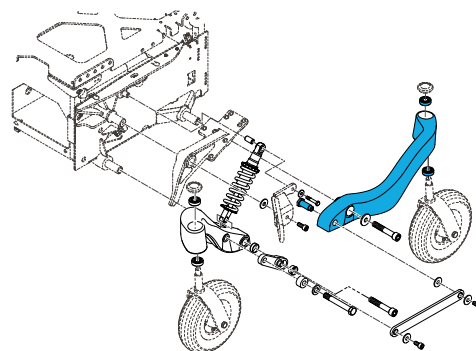
1600-161939

Quickie Power, Suspension Midlink Kit, includes Link Bar and
Hardware



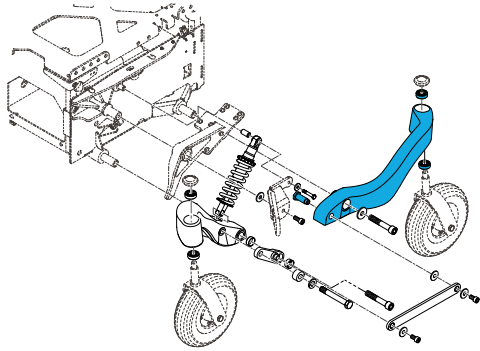
1600-161943

Quickie Power, Q500M Rear Caster Arm Right Side with Bearings



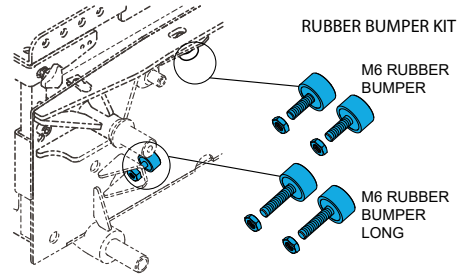
1600-161944

Quickie Power, Q500M Rear Caster Arm Left Side With Bearings



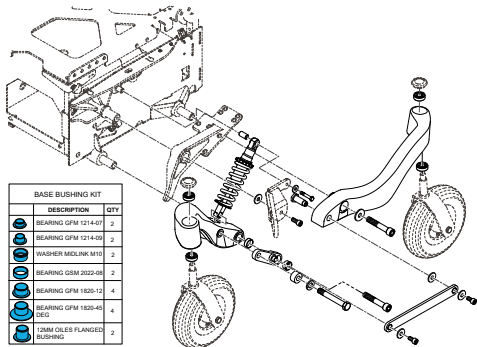
1600-161945

Quickie Power, Q500M Rubber Bumper Kit, Includes 4 Rubber Bumpers & Nuts



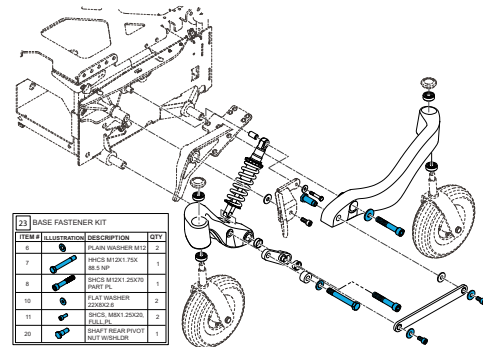
1600-161947

Quickie Power, Q500M Bushing Kit For Pivot Points on One Side



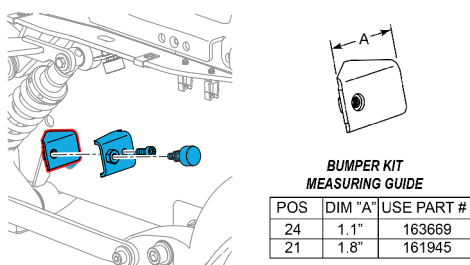
1600-161946

Quickie Power, Q500M Fasteners for Suspension Midlink on One Side



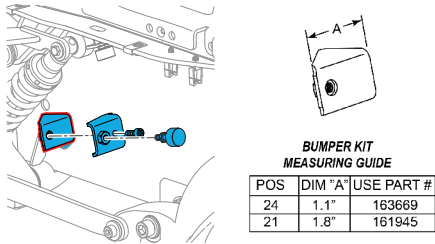
1600-163669

Quickie Power, Q500M Bumper Adaptor Kit; Including 2 Bumpers, Adapters, Nuts & SHCS



1600-163669

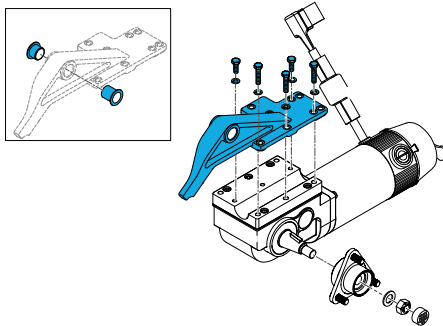
Quickie Power, Q500M Bumper Adaptor Kit; Including 2 Bumpers, Adapters, Nuts & SHCS



Motors

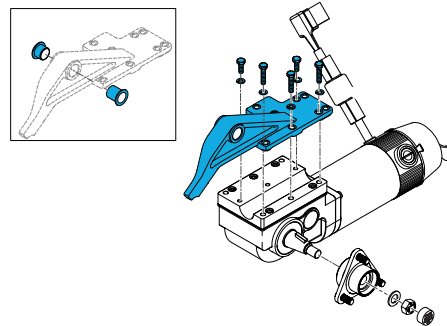
1600-252369

Quickie Power, Q500M Motor Mounting Kit Right Side



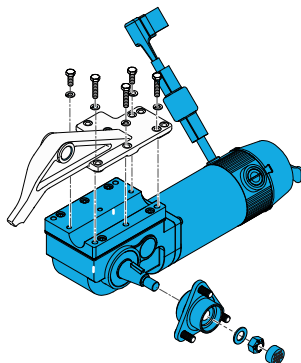
1600-252370

Quickie Power, Q500M Motor Mounting Kit Left Side



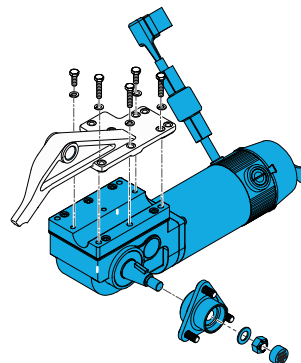
1600-250287

Quickie Power, Q500M 4 Pole 10 kph Motor Right Side



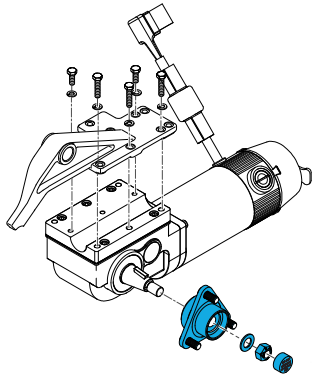
1600-250286

Quickie Power, Q500M 4 Pole 10 kph Motor Left Side



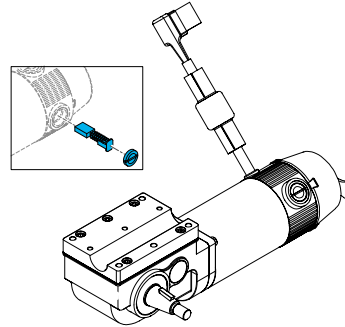
1600-161956

Quickie Power, Q500M 4 Pole Motor 3 Spoke Hub Kit



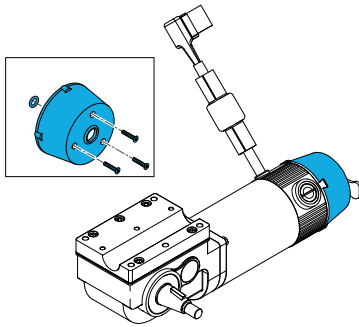
1600-112281

Quickie Power, 4 Pole Motor Brush Kit



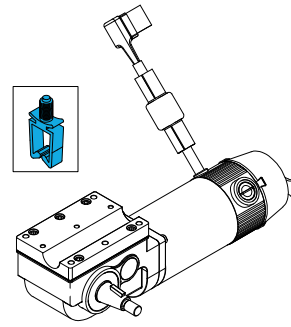
1600-112283

Quickie Power, Q500M 4 Pole Motor Brake Cover



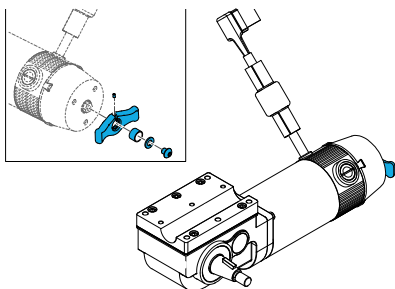
1600-124936

Quickie Power, Q500M Clip, Wire Saddle



1600-252367

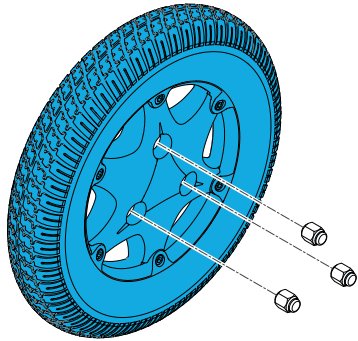
Quickie Power, Q500M 4 Pole Motor Brake Lever Set



Drive Wheel

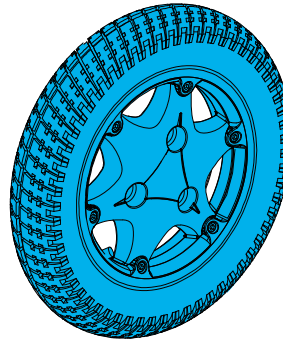
1600-243578

Quickie Power, Q500M 13" Drive Wheel with 2.5" Knobby Black Dual Density (Solid) Tires Per Each



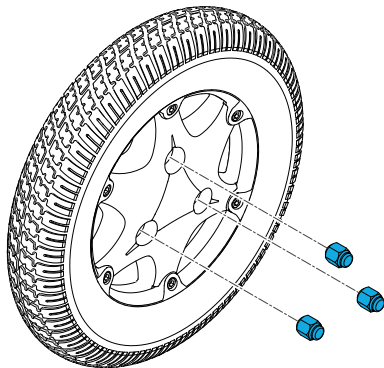
1600-244823

Quickie Power, Q500M 13" Pneumatic Drive Wheel with rounded tread, Per Each



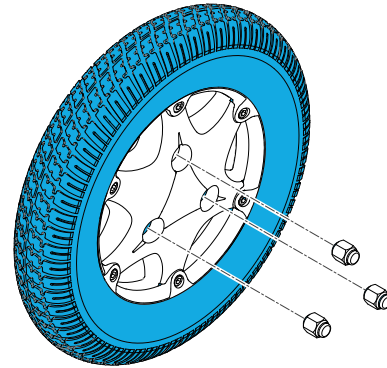
1600-161965

Quickie Power, Lug Nut Set (set of 3)



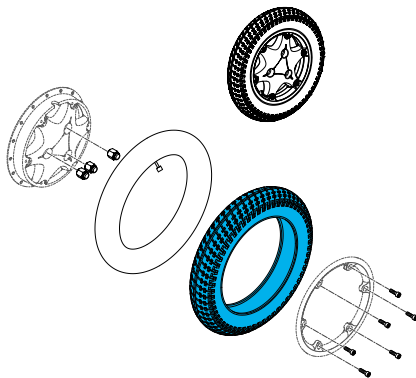
1600-126537

Quickie Power, Q500M 13" Knobby Dual Density (Solid) Tire Only, Per Each



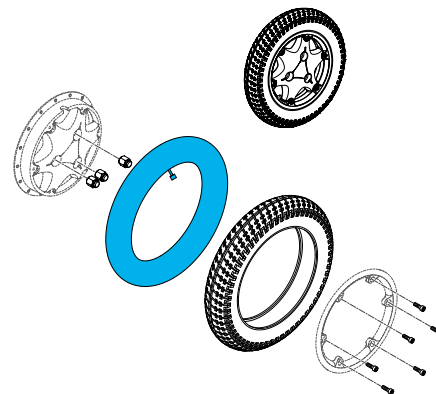
1600-247671

Quickie Power, 13" Drive Wheel, Pneumatic Tyre only; 13" X 2.5" X 8"

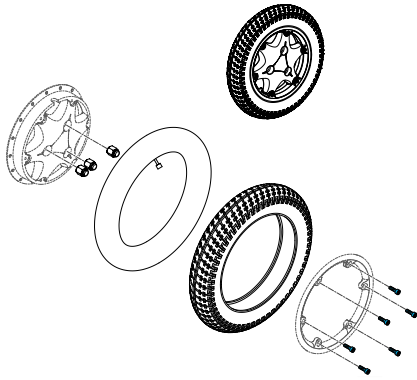


1600-249809

Quickie Power, 13" Drive Wheel, Tube only

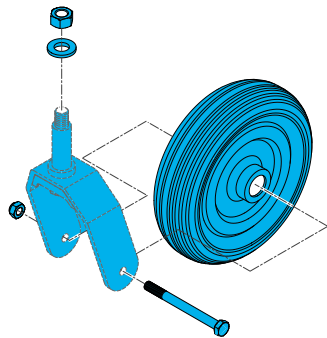


1600-163240
Quickie Power, Drive Wheel Hardware Kit (set of 6)

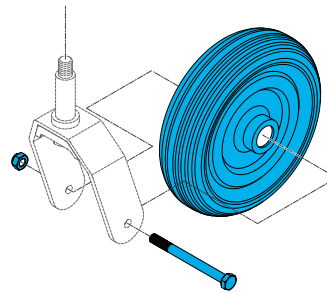


Castors

1600-247565
Quickie Power, Q400M 7" Solid Castor and Fork Assembly ea



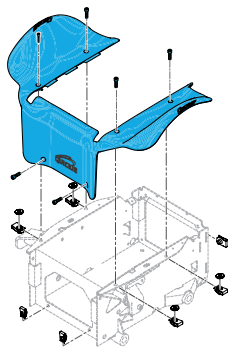
1600-247566
Quickie Power, Q400M 7" Castor with Hardware











Shroud

Mudguards

Quickie Power, Q500M Shroud Assembly, _____









Colours	Product Codes
	1600-163320
	1600-163803
	1600-163804
	1600-163805
	1600-163806
	1600-163807
	1600-163808
	1600-163809

Colour Accent Kit

Quickie Power, Q500M Colour Accent Kit ____



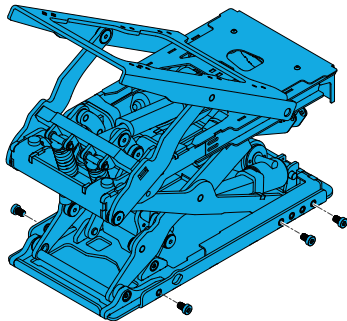
Colours	Product Codes
	1600-161948
	1600-161949
	1600-161950
	1600-161951
	1600-161952
	1600-161953

Tilt & Lift Cassette

Assembly

1600-163327

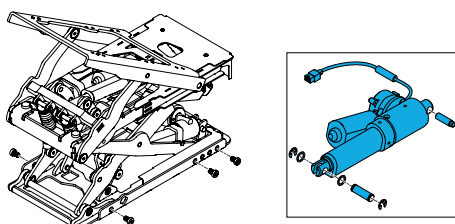
Quickie Power, Sedeo Pro Tilt/Lift Combi Seating Cassette Complete Assembly with Fasteners



Parts

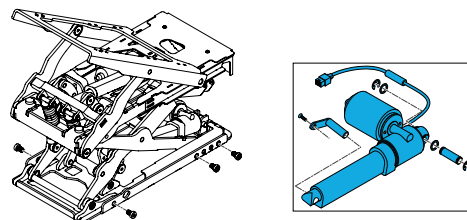
1600-163476

Quickie Power, Sedeo Pro Tilt Actuator Only With Fasteners



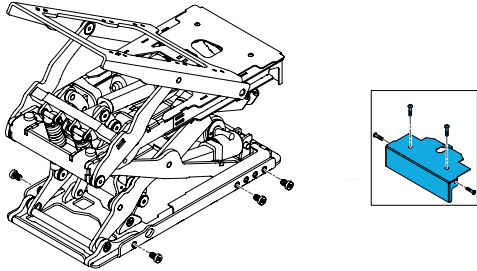
1600-163477

Quickie Power, Sedeo Pro Lift Actuator Only With Fasteners



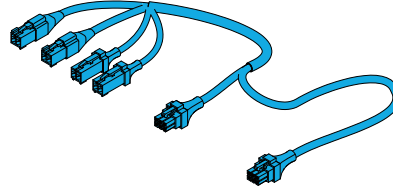
1600-20010139

Quickie Power, Sedeo Pro Seating Cable track Cover only
Incl mounting Fasteners



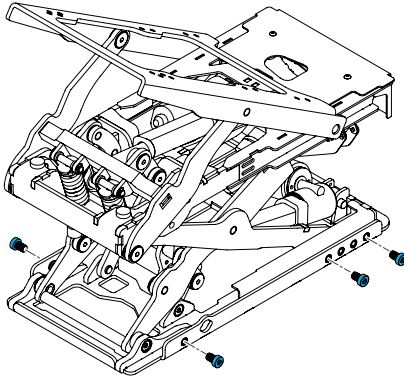
1600-248517

Quickie Power, Sedeo Pro Tilt/Lift Combo Harness
Wiring



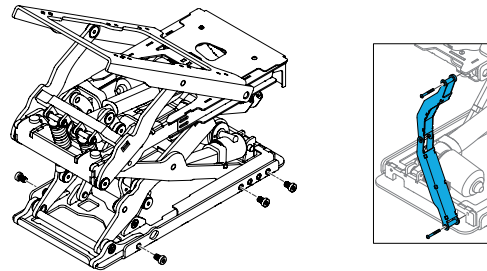
1600-248502

Quickie Power, Sedeo Pro Cassette Mounting Bolts
M8*1.25*13



1600-20010137

Quickie Power, Sedeo Pro Cassette Cable Track Incl mounting
Fasteners

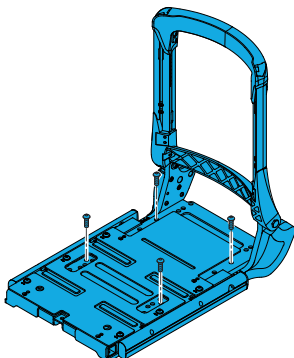


Sedeo Pro Seating

Assemblies

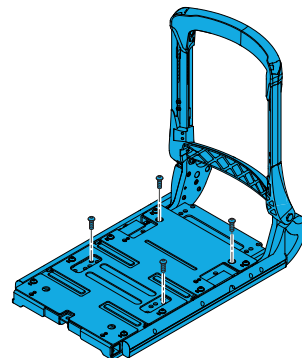
1600-163831

Quickie Power, Sedeo Pro, Tool Adjustable Fixed Back,
Short Seat Complete Assembly



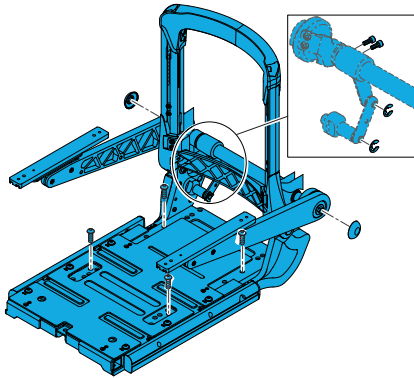
1600-163833

Quickie Power, Sedeo Pro, Tool Adjustable Fixed Back, Long
Seat Complete Assembly



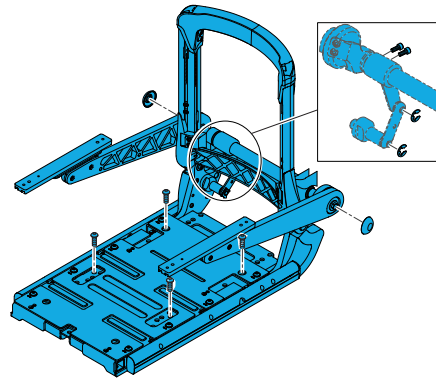
1600-163832

Quickie Power, Sedeo Pro, Tool Adjustable Fixed Back, Short
Seat Complete Assembly With Cantilever Armrests



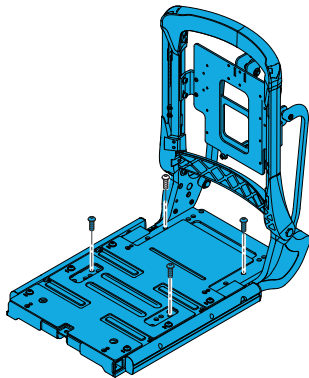
1600-163834

Quickie Power, Sedeo Pro, Tool Adjustable Fixed Back, Long Seat
Complete Assembly With Cantilever Armrests



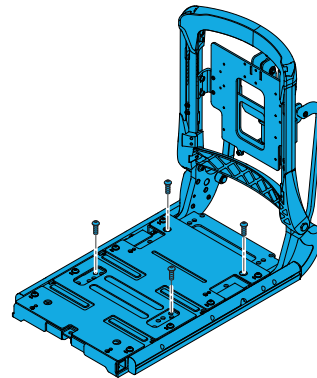
1600-163839

Quickie Power, Sedeo Pro, 130 Degree Power Recline, Short
Seat Complete Assembly



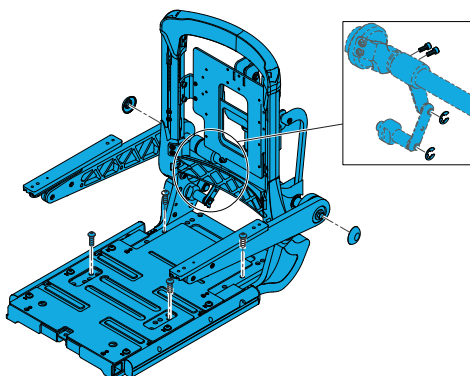
1600-163841

Quickie Power, Sedeo Pro, 130 Degree Power Recline,
Long Seat Complete Assembly



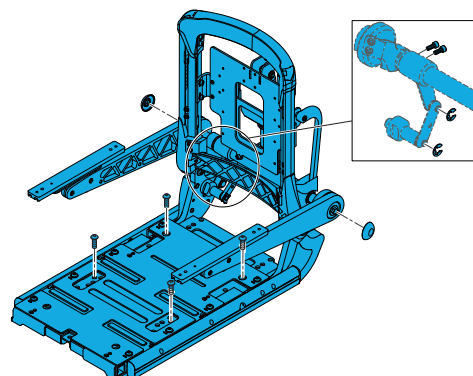
1600-163840

Quickie Power, Sedeo Pro, 130 Degree Power Recline, Short
Seat Complete Assembly With Cantilever Armrests



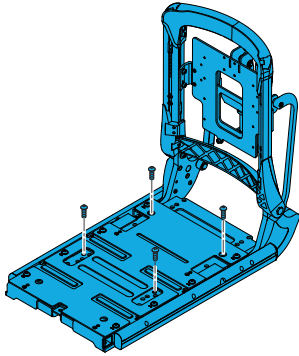
1600-163842

Quickie Power, Sedeo Pro, 130 Degree Power Recline, Long
Seat Complete Assembly With Cantilever Armrests



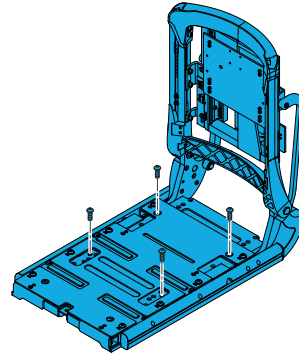
1600-163843

Quickie Power, Sedeo Pro, 150 Anti-Shear Degree Power Recline, Short Seat Complete Assembly



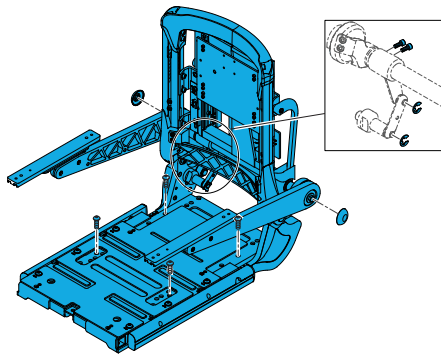
1600-163845

Quickie Power, Sedeo Pro, 150 Anti-Shear Degree Power Recline, Long Seat Complete Assembly



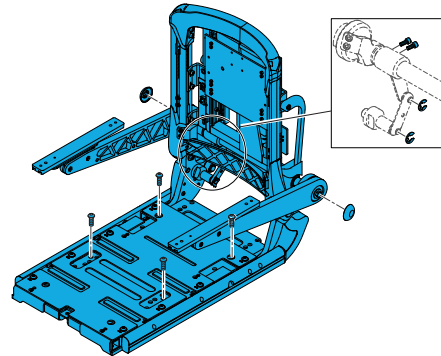
1600-163844

Quickie Power, Sedeo Pro, 150 Anti-Shear Degree Power Recline, Short Seat Complete Assembly With Cantilever Armrests



1600-163846

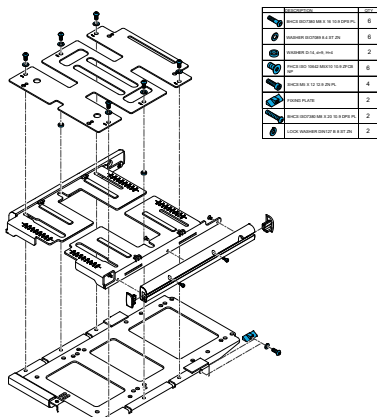
Quickie Power, Sedeo Pro, 150 Anti-Shear Degree Power Recline, Long Seat Complete Assembly With Cantilever Armrests



Short Seat Frame

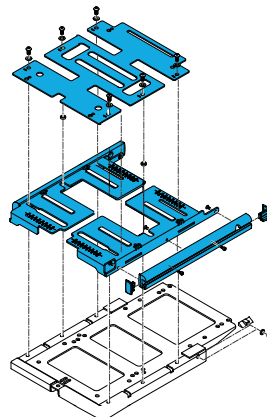
1600-163323

Quickie Power, Sedeo Pro Short Seat Plate Hardware Kit



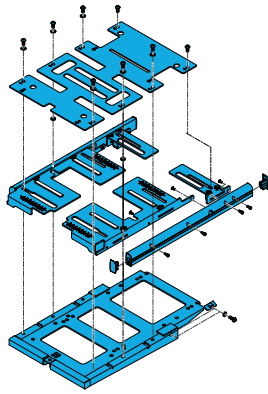
1600-22502019

Quickie Power, Sedeo Pro To Convert Seat Assembly from Long (19-22" Deep) to Short (16-20" Deep)



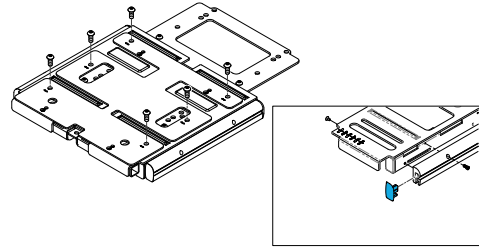
1600-22502000-001

Quickie Power, Sedeo Pro Seat Assembly Complete Assembly Short 16-20" Depth



1600-22502018

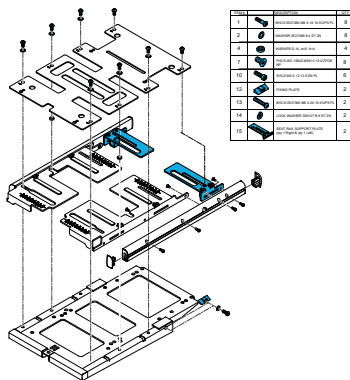
Quickie Power, Sedeo Seat Rail Caps, Pair



Long Seat Frame

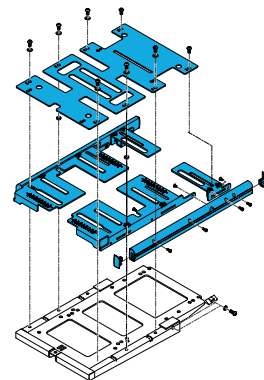
1600-163324

Quickie Power, Sedeo Pro Long Seat Plate Hardware Kit



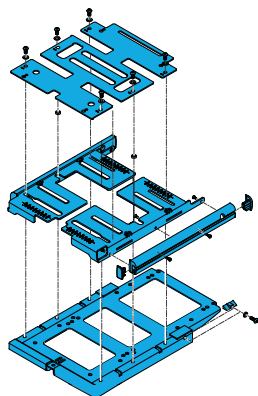
1600-22502015

Quickie Power, Sedeo Pro To Convert Seat Assembly from Short (16-20" Deep) to Long (19-22" Deep)



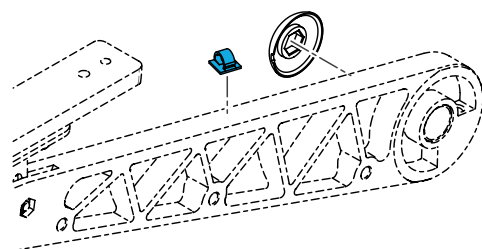
1600-22502000-002

Quickie Power, Sedeo Pro Seat Assembly Complete Assembly Long (19-22" Deep)



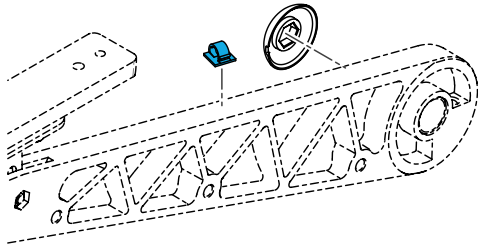
1600-341220

Quickie Power, Sedeo Pro Cable Clip, Used with 2 cables



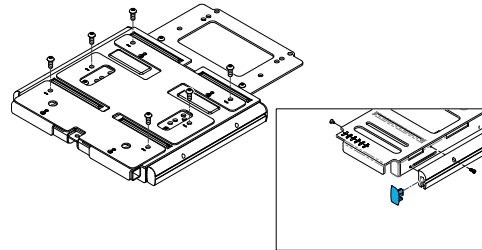
1600-560794

Quickie Power, Sedeo Pro Cable Clip, Used with 1 Cable



1600-22502018

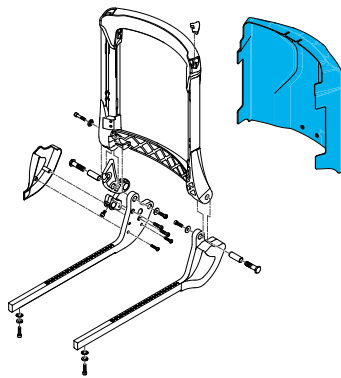
Quickie Power, Sedeo Seat Rail Caps, Pair



Back Frame Universal

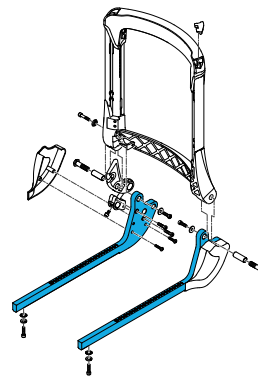
1600-22503057

Quickie Power, Sedeo Pro Fixed Back Cover/Shroud



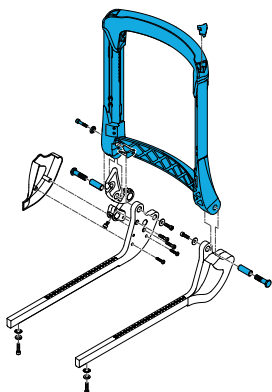
1600-22502024

Quickie Power, Sedeo Pro Shift Piece, Back Frame Seat Rail
Per Each, including Hardware



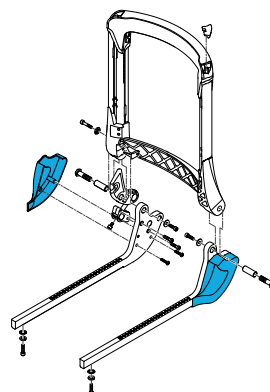
1600-22503020

Quickie Power, Sedeo Pro Back Frame Assembly



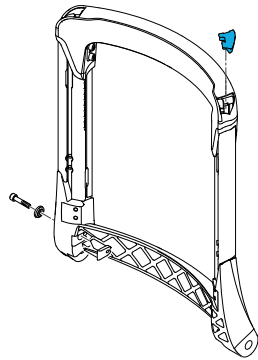
1600-163340

Quickie Power, Sedeo Pro Fixed Back, Shift Piece
Cover Kit



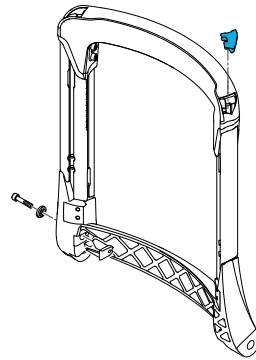
1600-22503116-001

Quickie Power Sedeo Pro Back Cane Cap LHS



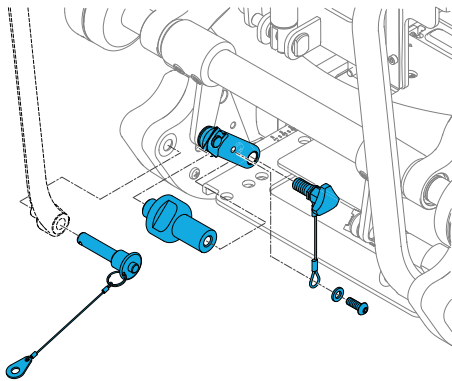
1600-22503116-002

Quickie Power Sedeo Pro Back Cane Cap RHS



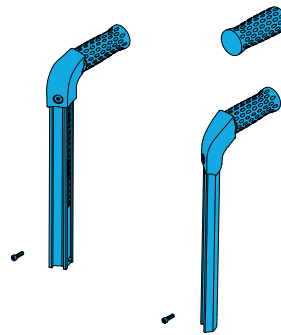
1600-163949

Quickie Power, Sedeo Pro Power Recline Back Quick Release Hardware Kit



1600-163481

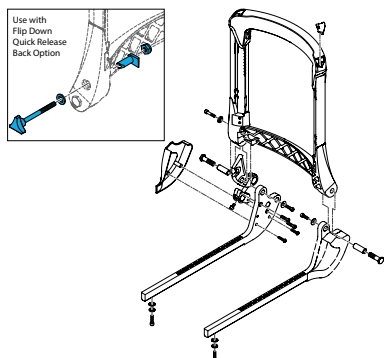
Sedeo Pro Trailing Push Handles, Pair



Tool Adjustable Fixed Back

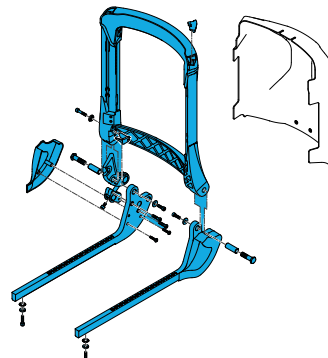
1600-163948

Quickie Power, Sedeo Pro Quick Release Upgrade Assembly



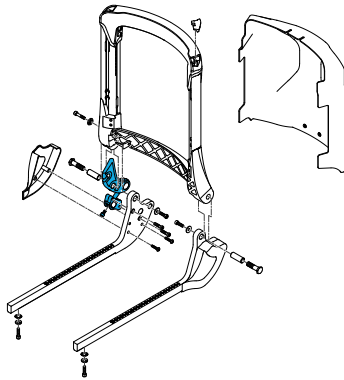
1600-22500101

Quickie Power, Sedeo Pro Fixed Backrest Complete Assembly



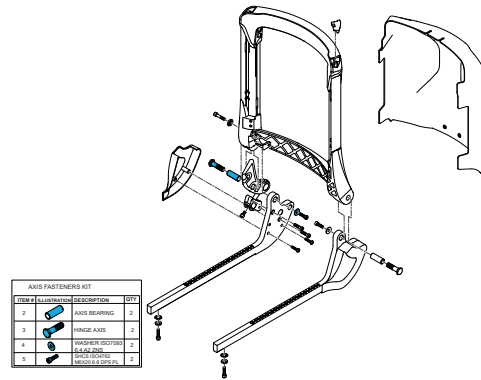
1600-22503210

Quickie Power, Sedeo Pro Fixed Backrest Recline Mechanism



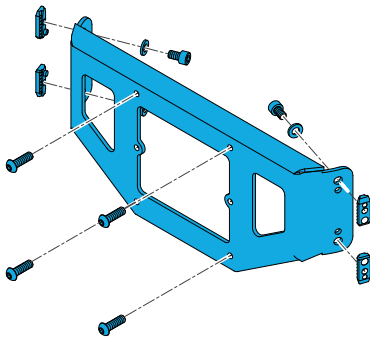
1600-163343

Quickie Power, Sedeo Pro Fixed Back Hinge/Axis Fasteners Kit



1579-248123

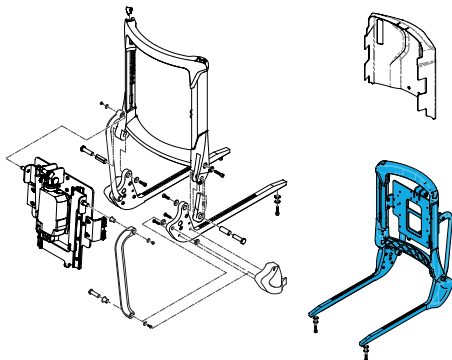
J3/Spex Sedeo Pro Fixed back adaptor 18" w



Power Semi-Recline (130 Degrees)

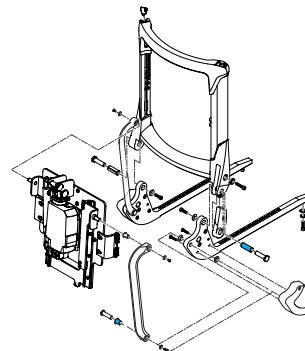
1600-22500102

Quickie Power, Sedeo Pro Power Semi-Recline Back Assembly (does not include Actuator)



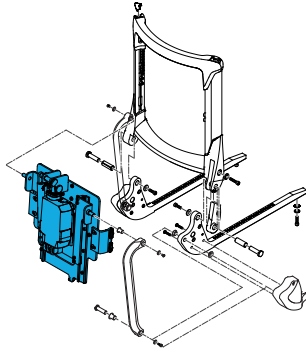
1600-163342

Quickie Power, Sedeo Pro Recline Back Bushing kit



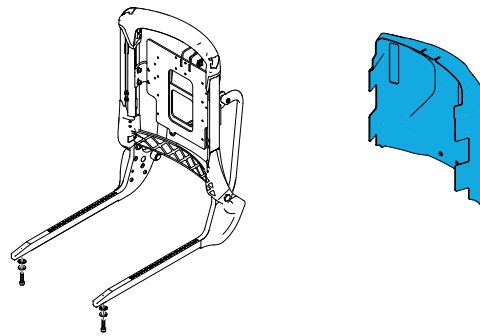
1600-22503300-001

Quickie Power, Sedeo Pro Power Semi-Recline Actuator Assembly



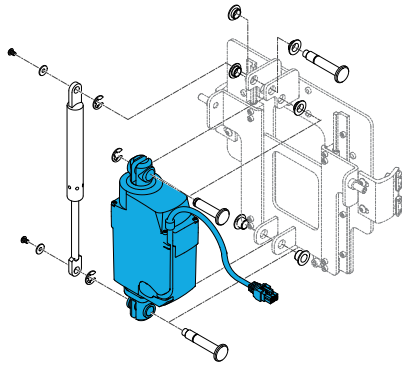
1600-22503056

Quickie Power, Sedeo Pro Power Recline Back Cover/ Shroud



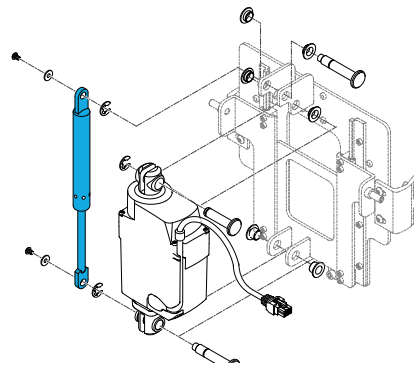
1600-163448

Quickie Power, Sedeo Pro Power Semi-Recline Actuator Only



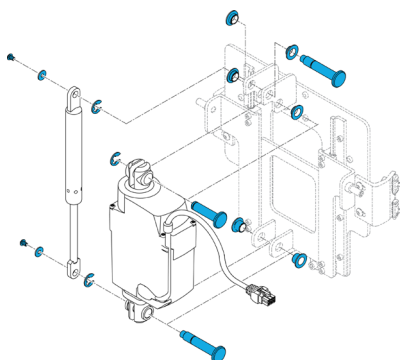
1600-163568

Quickie Power, Sedeo Pro Power Semi-Recline Gas Strut Only



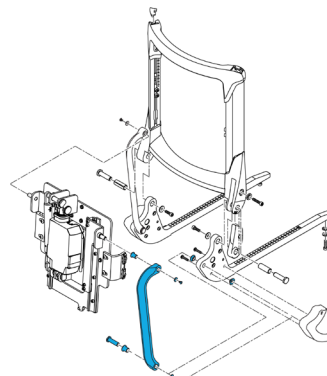
1600-163569

Quickie Power, Sedeo Pro Power Semi-Recline Actuator Fasteners/Hardware Kit



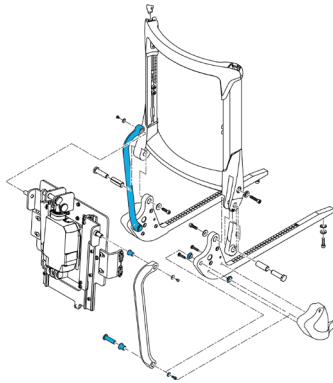
1600-22503100-002

Quickie Power, Sedeo Pro Power Recline Linkage Assembly Right side



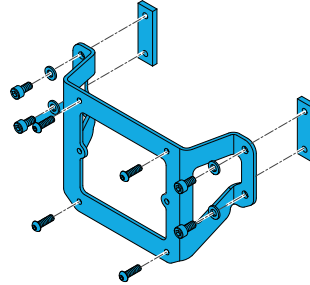
1600-22503100-001

Quickie Power, Sedeo Pro Power Recline Linkage Assembly
Left Side



1600-248128

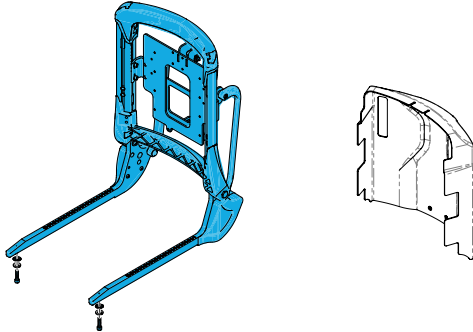
J3 Back Hardware Power Pro 20" (for 16" to 20" width)



Power Recline (150°) with Anti Shear

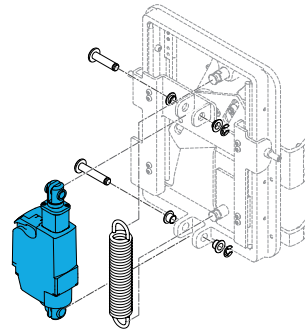
1600-253371

Quickie Power, Sedeo Pro Power Shear-Recline Backrest Kit,
Without Actuator, After S/N Q7MP-086838 / Q5MP-095960



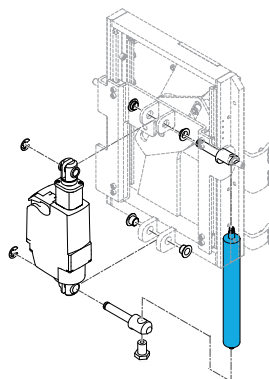
1600-163478

Quickie Power, Sedeo Pro Power Shear-Recline Actuator Only



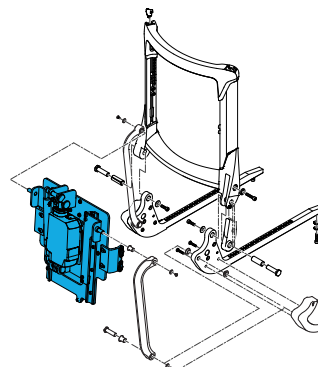
1600-163567

Quickie Power, Sedeo Pro Power Shear-Recline Backrest
Actuator Gas Pull Spring



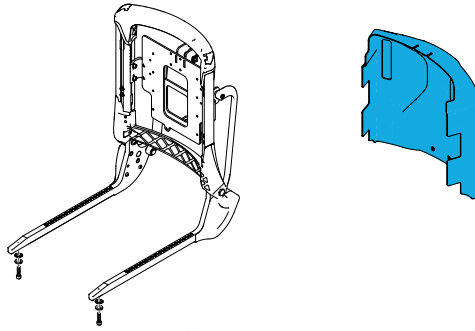
1600-22503000-001

Quickie Power, Sedeo Pro Power Shear-Recline Actuator
Assembly



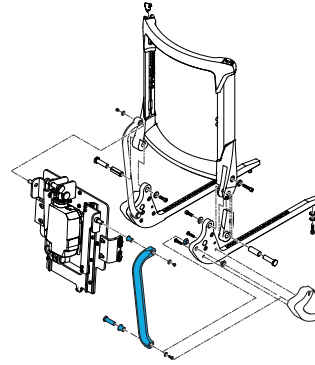
1600-22503056

Quickie Power, Sedeo Pro Power Recline Back Cover/
Shorud



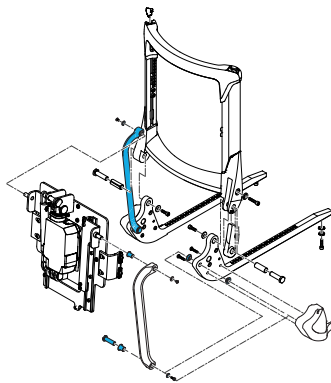
1600-22503100-002

Quickie Power, Sedeo Pro Power Recline Linkage Assembly
Right side



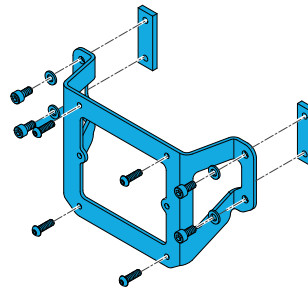
1600-22503100-001

Quickie Power, Sedeo Pro Power Recline Linkage Assembly
Left Side



1600-248128

J3 Back Hardware Power Pro 20" (for 16" to 20" width)

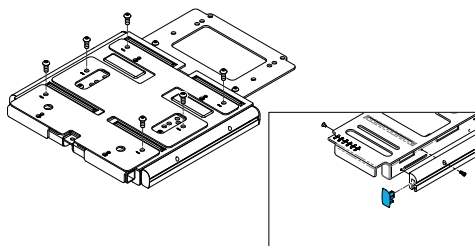


Sedeo Lite Seating

Seat

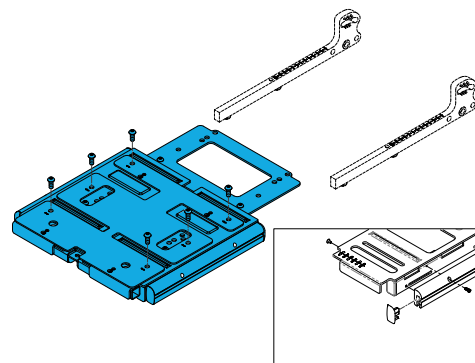
1600-22502018

Quickie Power, Sedeo Seat Rail Caps, Pair



1600-22802000

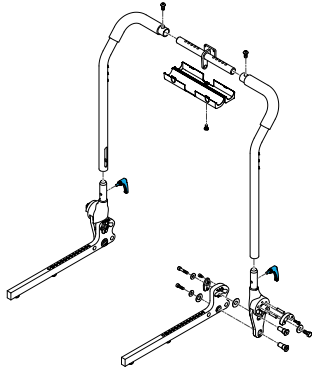
Quickie Power, Sedeo Lite Seat Plate Assembly



Back

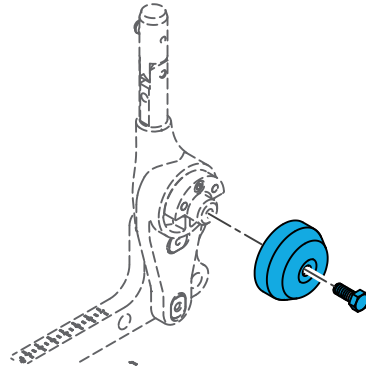
1600-168121

Quickie Power, Sedeo Lite Fixed Backrest Quick Release Lever Kit



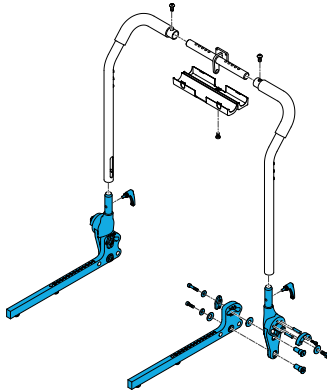
1600-168125

Quickie Power, Sedeo Lite Backrest Receiver Cover, for use with Cantilever Arm



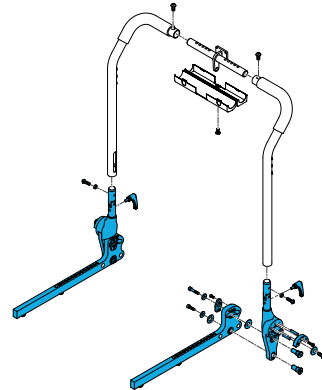
1600-22802001-001

Quickie Power, Sedeo Lite Backrest Frame Interface Non Folding



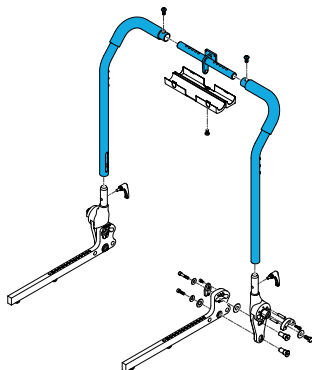
1600-22802001-011

Quickie Power, Sedeo Lite Backrest Frame Interface with Folding Bracket



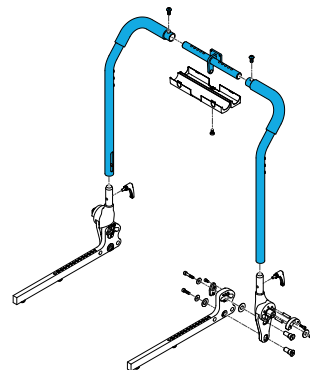
1600-22803010-011

Quickie Power, Sedeo Lite Back Frame Assembly Standard Height, 15-19" Seat Width



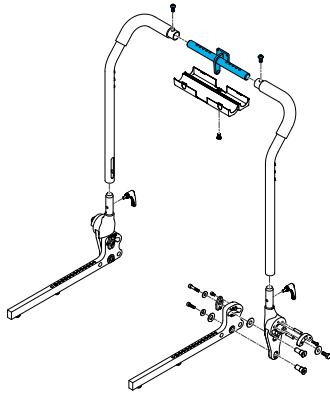
1600-22803010-012

Quickie Power, Sedeo Lite Back Frame Assembly Standard Height, 18-20" Seat Width



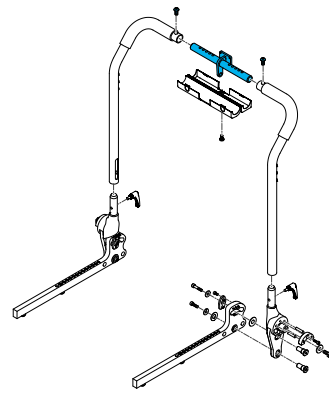
1600-168118

Quickie Power, Sedeo Lite Back Canes Center Adjustment Bracket
Narrow, 15-19" Wide



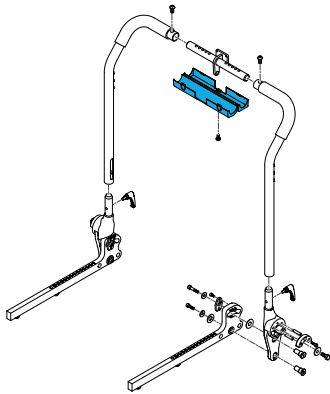
1600-168119

Quickie Power, Sedeo Lite Back Canes Center Adjustment Bracket
Wide, 18-20" Wide



1600-168120

Quickie Power, Sedeo LiteBack Headrest Mounting Bracket
Cover

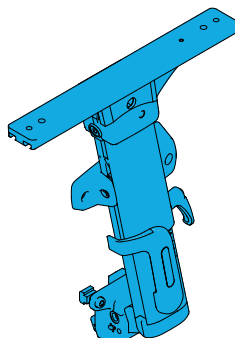


Sedeo Pro Armrests

Single Post

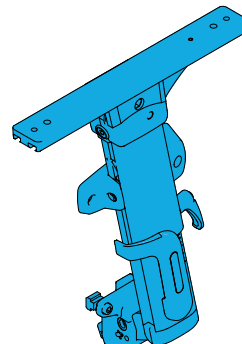
1600-163362

Sedeo Pro Single Post Height Adjustable Armrest
Right Side



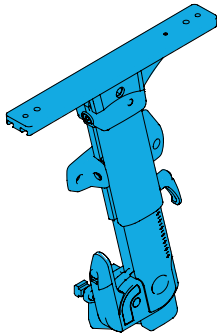
1600-163363

Sedeo Pro Single Post Height Adjustable Armrest Left Side



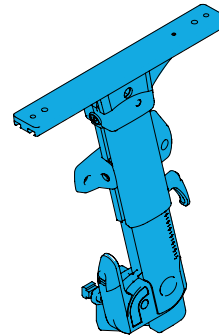
1600-163366

Sedeo Pro Flip Back Single Post Height Adjustable
Armrest Right Side



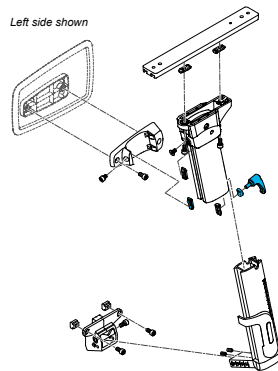
1600-163367

Sedeo Pro Flip Back Single Post Height Adjustable Armrest
Left Side



1600-163364

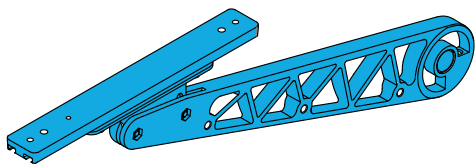
Quickie Power, Sedeo Pro Single Post Arm Rest, Height
Adjustment Handle Kit



Cantilever Style Recline Back

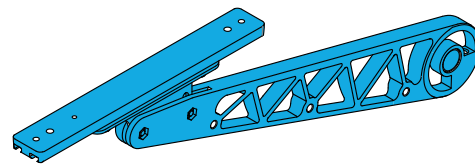
1600-22504020-002

Quickie Power, Sedeo Pro Reclining Flip Back ArmRest
Assembly Right Side

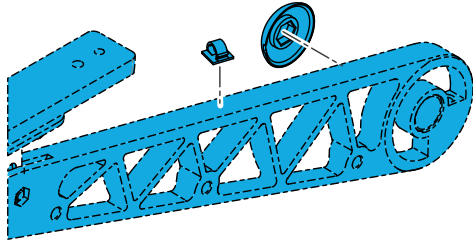


1600-22504020-001

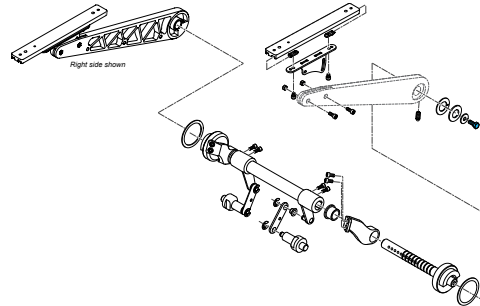
Quickie Power, Sedeo Pro Reclining Flip Back ArmRest
Assembly Left Side



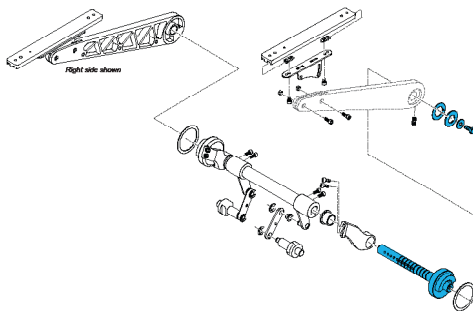
1600-22504222-001
Armrest Pivot Cover Black



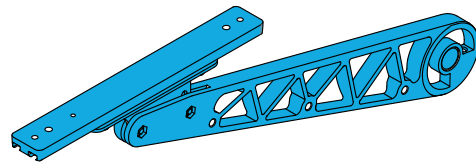
1600-22504110-001
Quickie Power, Sedeo Reclining Back Armrest Receiver
Assembly Left Side



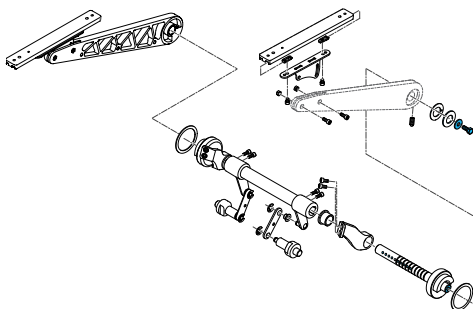
1600-22504110-002
Quickie Power, Sedeo Reclining Back Armrest Receiver
Assembly Right Side



1600-168374
Quickie Power, Sedeo Pro Reclining Flip Back Armrest
Assembly



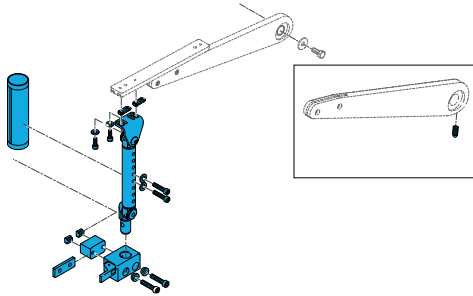
1600-164254
Quickie Power, Sedeo Pro Reclining Back, Cantilever
Arm Hardware Kit



2 Pt Armrest Lock

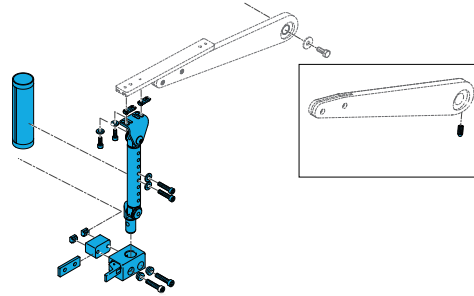
1600-247172

Quickie Power 2nd Attachment point for Cantilever Armrest LHS



1600-247167

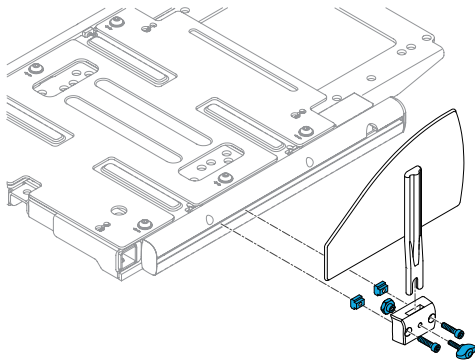
Quickie Power 2nd Attachment point for Cantilever Armrest RHS



Sedeo Sideguards

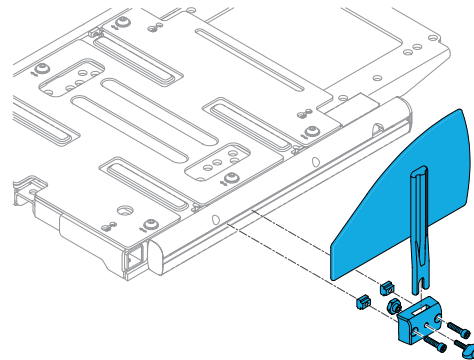
1600-163441

Quickie Power, Sedeo Side Guard Plate Fasteners for One Side



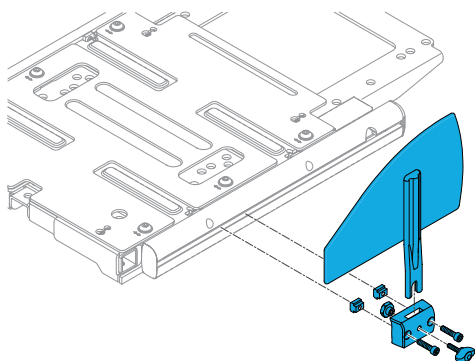
1600-22804030-001

Quickie Power, Sedeo Side Guard and Receiver Assembly Left Side



1600-22804030-002

Quickie Power, Sedeo Side Guard and Receiver Assembly Right Side

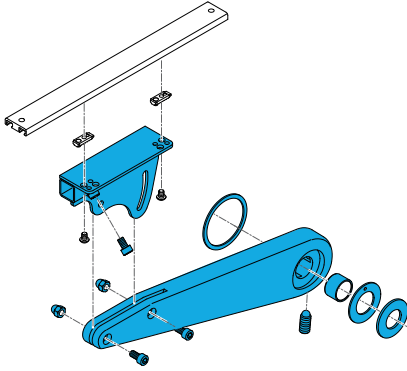


Sedeo Lite Armrests

Cantilever

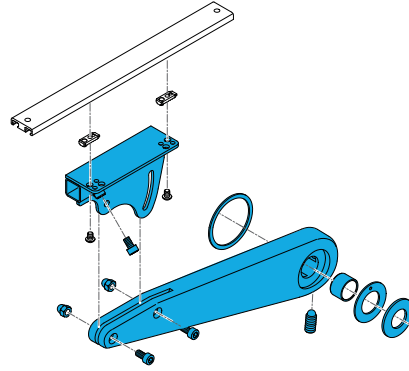
1600-22804010-001

Quickie Power, Sedeo Lite Cantilever Armrest Assembly
Left Side



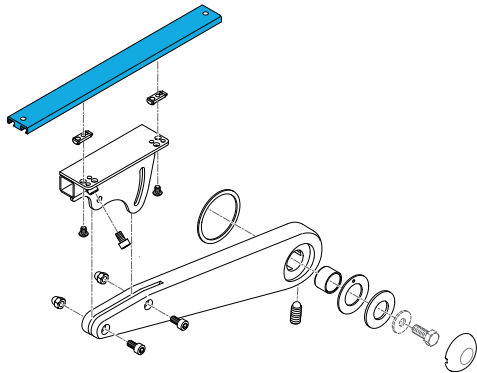
1600-22804010-002

Quickie Power, Sedeo Lite Cantilever Armrest Assembly
Right Side



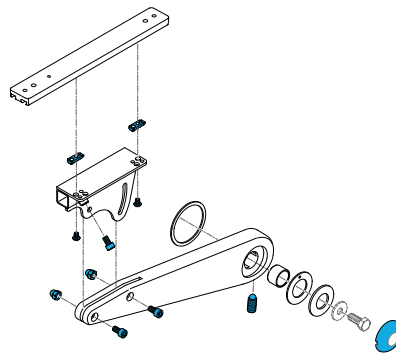
1600-22804061

Quickie Power, Sedeo Lite Cantilever Armrest Rail for
Sedeo Lite Armpad



1600-164257

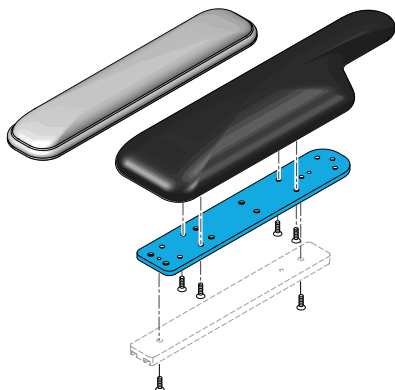
Quickie Power, Sedeo Lite Cantilever Armrest Hardware
Kit for Both Sides



Mounting Parts

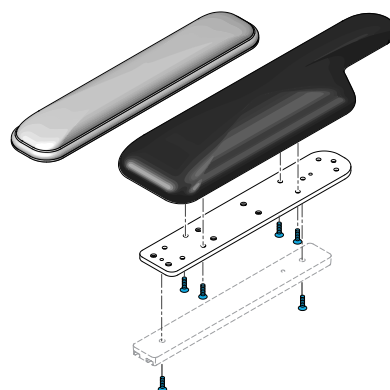
1600-248518

Quickie Power Sedeo Pro Armrest Adaptor Plate



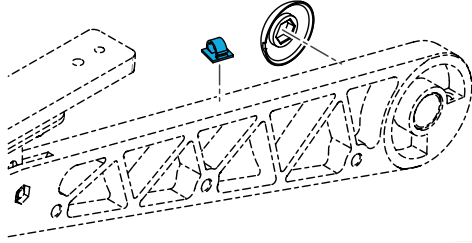
1600-103499-006

M5X16 8.8 DPS NP



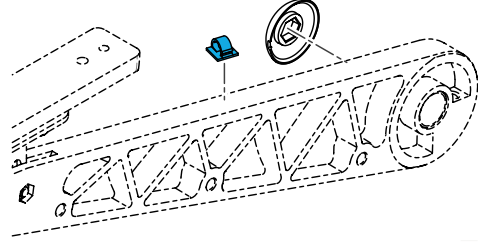
1600-341220

Quickie Power, Sedeo Pro Cable Clip, Used with 2 cables



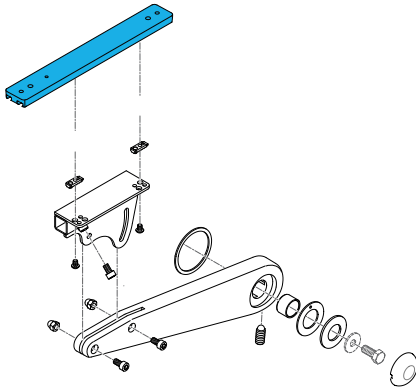
1600-560794

Quickie Power, Sedeo Pro Cable Clip, Used with 1 Cable



1600-22504042

Quickie Power Armpad Profile for Gel, Comfort and Standard

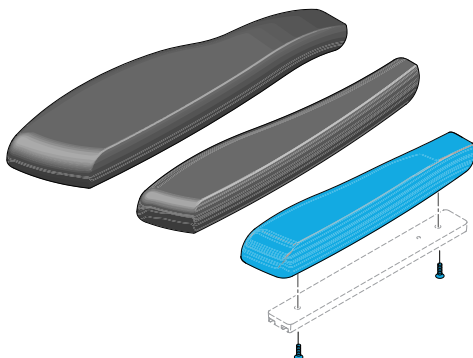


Armrest Pads

Standard Sedeo Armrest Pad

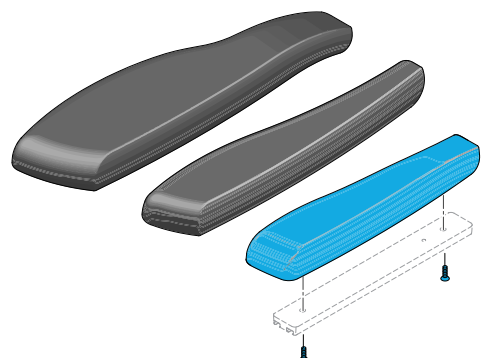
1600-163356

Quickie Power, Sedeo Pro Standard Armrest Pad 30 LH

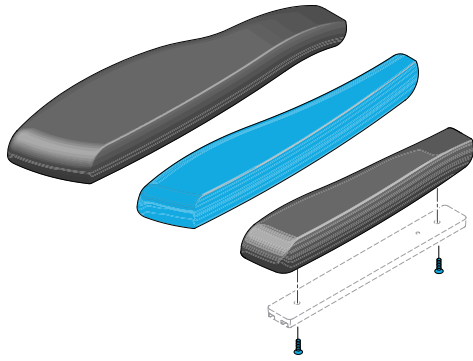


1600-163357

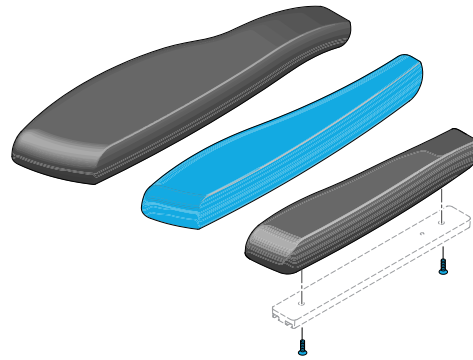
Quickie Power, Sedeo Pro Standard Armrest Pad 30 RH



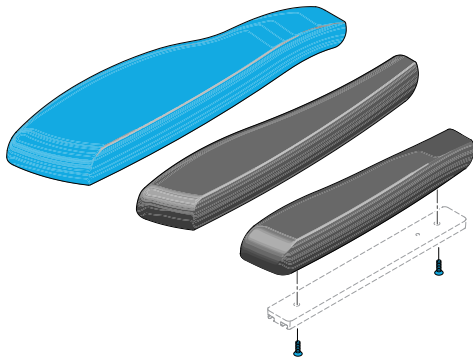
1600-163359
Quickie Power, Sedeo Pro Arm Pad 400 RHS



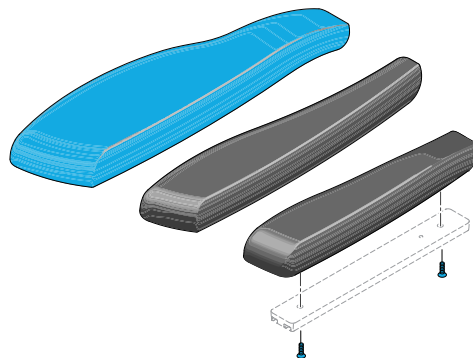
1600-163358
Quickie Power, Sedeo Pro Arm Pad 400 LHS



1600-163361
Quickie Power, Sedeo Large Standard Armrest Pad 45 RH

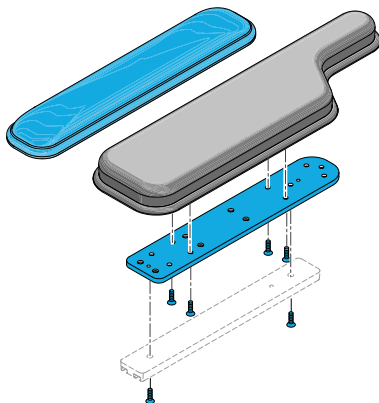


1600-163360
Quickie Power, Sedeo Large Standard Armrest Pad 45 LH

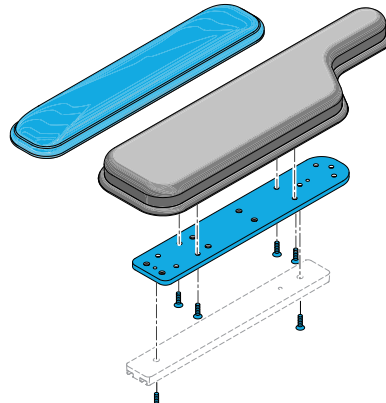


Comfort Gel Armrest Pad

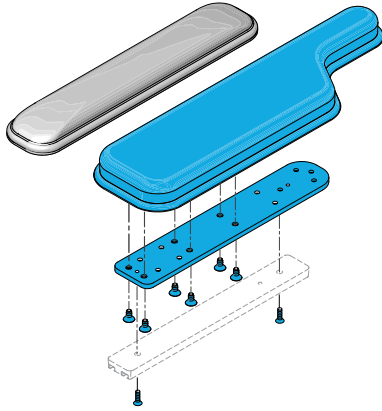
1600-163345
Quickie Power, Sedeo Pro Comfort 2" Gel Pad RH



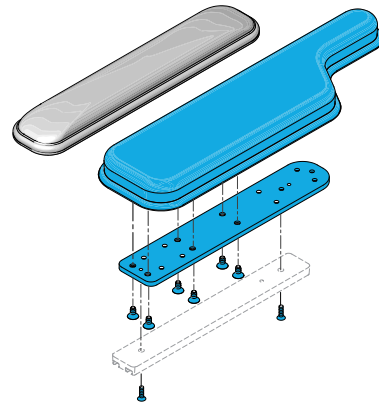
1600-163344
Quickie Power, Sedeo Pro Comfort 2" Gel Pad LH



1600-163347
Quickie Power, Sedeo Pro Comfort 4" Gel Pad RH

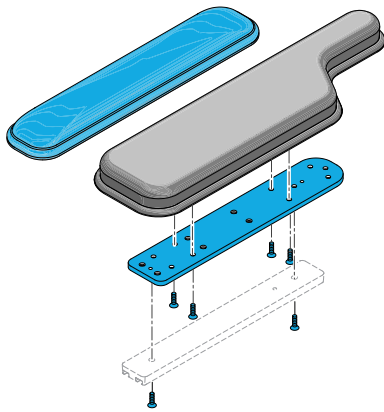


1600-163346
Quickie Power, Sedeo Pro Comfort 4" Gel Pad LH

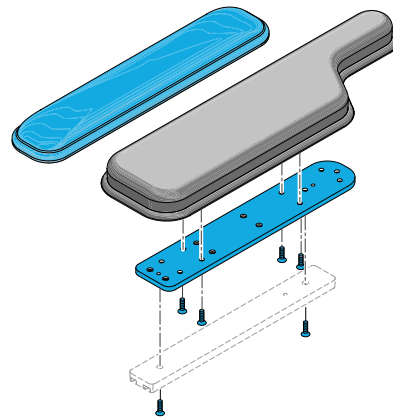


Comfort Foam Armrest Pad

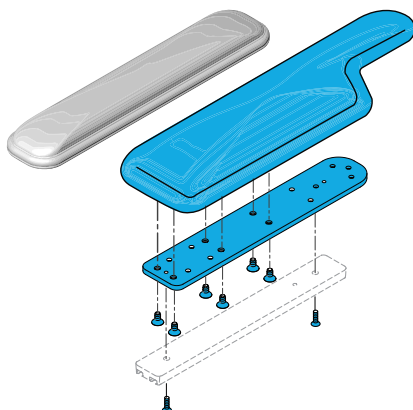
1600-163352
Quickie Power, Sedeo Pro Comfort 2" Wide Foam Arm Pad, Left Side



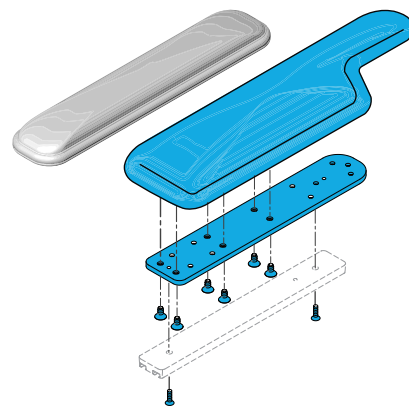
1600-163353
Quickie Power, Sedeo Pro Comfort 2" Wide Foam Arm Pad, Right Side



1600-163354
Quickie Power, Sedeo Pro Comfort 4" Wide Foam Arm Pad, Left Side

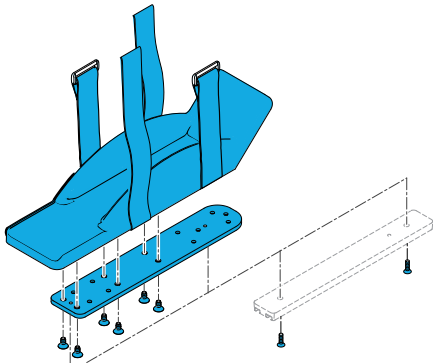


1600-163355
Quickie Power, Sedeo Pro Comfort 4" Wide Foam Arm Pad, Right Side



Gel Trough Armrest Pad

Quickie Power, Sedeo Pro ____ Gel Trough Assembly ____ Side,
 _____"



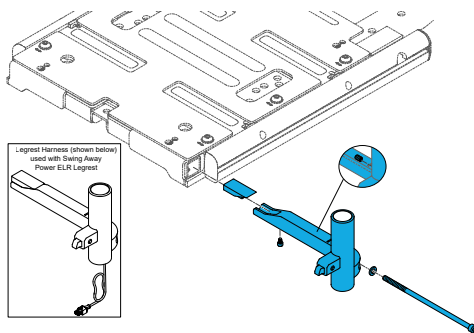
Size	Side	Width	Product Codes
Large	Left	4.5" x 14.5"	1600-163350
Large	Right	4.5" x 14.5"	1600-163351
Medium	Left	3.5" x 13"	1600-163348
Medium	Right	3.5" x 13"	1600-163349

Sedeo Pro Legrests

Swingaway Mounts

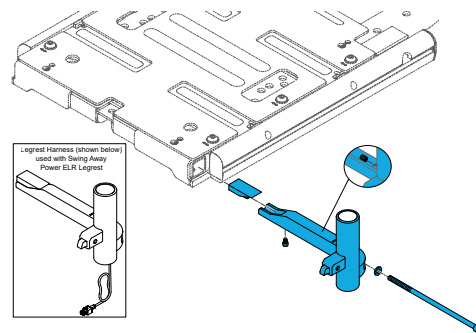
1600-163482

Quickie Power, Sedeo Pro/Lite Swingaway Hanger Mount
 Right Side



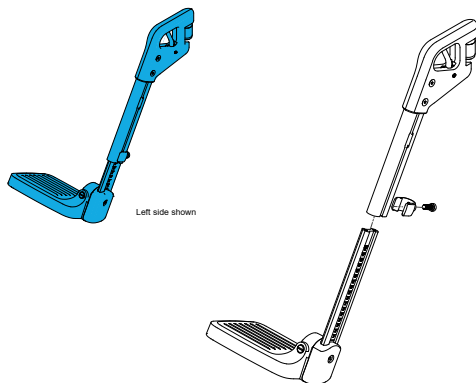
1600-163483

Quickie Power, Sedeo Pro/Lite Swingaway Hanger Mount Left
 Side



Swing Away 70 Degree Assembly

Quickie Power, Sedeo Pro Swingaway 70 Degree hanger &
 Extension Mount Footplate Assembly for _____" Side

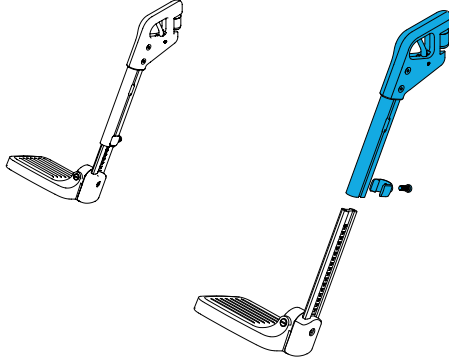


Size	Side	Product Codes
15"-16"	Left	1600-163370
15"-16"	Right	1600-163369
17"-18"	Left	1600-163372
17"-18"	Right	1600-163371
19"-20"	Left	1600-163374
19"-20"	Right	1600-163373
21"-22"	Left	1600-163376
21"-22"	Right	1600-163375

Swing Away 70 Degree Hangers

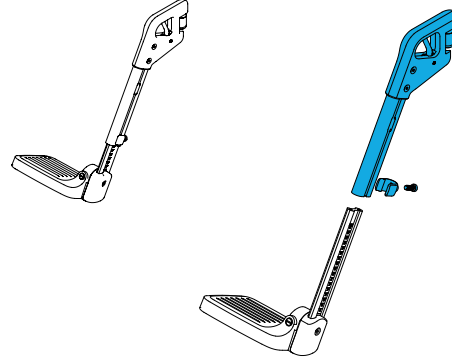
1600-22505215-001

Quickie Power, Sedeo Pro Swingaway 70 Degree Hanger Only
Left Side



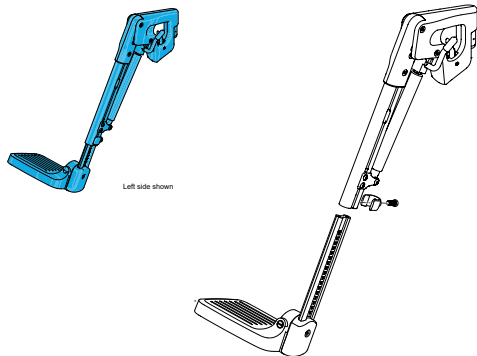
1600-22505215-002

Quickie Power, Sedeo Pro Swingaway 70 Degree Hanger Only
Right Side



Swingaway Manual ELR Assembly

Quickie Power, Sedeo Pro Swingaway Manual ELR hanger &
Extension Mount Footplate Assembly for _____ Side

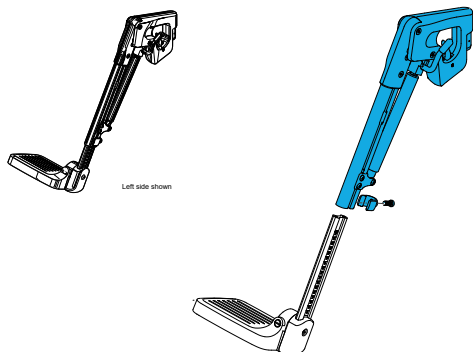


Size	Side	Product Codes
15"-16"	Left	1600-163378
15"-16"	Right	1600-163379
17"-18"	Left	1600-163380
17"-18"	Right	1600-163381
19"-20"	Left	1600-163382
19"-20"	Right	1600-163383
21"-22"	Left	1600-163384
21"-22"	Right	1600-163385

Swingaway Manual ELR Hangers

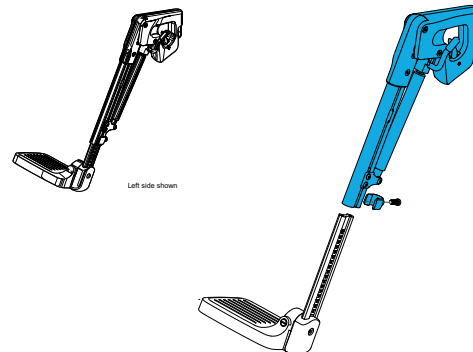
1600-22505214-001

Quickie Power, Sedeo Pro Swingaway Manual ELR Hanger
Only Left Side



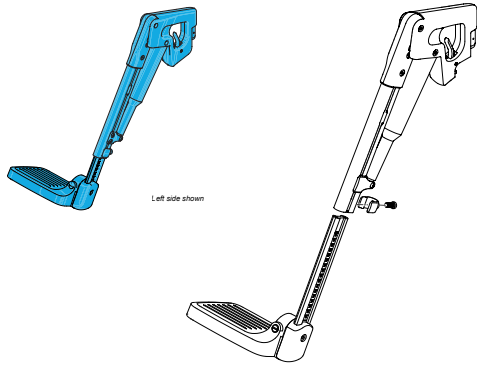
1600-22505214-002

Quickie Power, Sedeo Pro Swingaway Manual ELR Hanger
Only Right Side



Swingaway Power ELR Assembly

Quickie Power, Sedeo Pro Swingaway Power ELR hanger & Extension Mount Footplate Assembly for ____" ____ Side

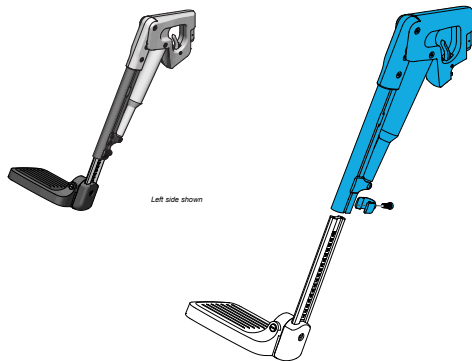


Size	Side	Product Codes
15"-16"	Left	1600-163386
15"-16"	Right	1600-163387
17"-18"	Left	1600-163388
17"-18"	Right	1600-163389
19"-20"	Left	1600-163390
19"-20"	Right	1600-163391
21"-22"	Left	1600-163392
21"-22"	Right	1600-163393

Swingaway Power ELR Parts

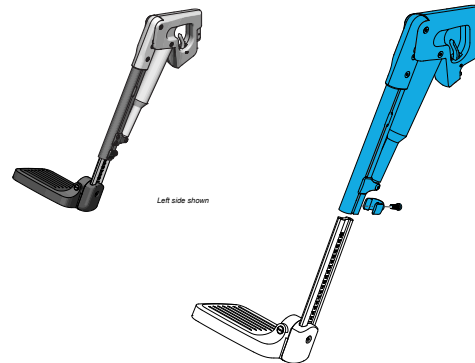
1600-22505216-001

Quickie Power, Sedeo Pro Swingaway Power ELR Hanger Only Left Side



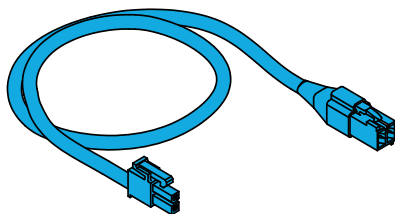
1600-22505216-002

Quickie Power, Sedeo Pro Swingaway Power ELR Hanger Only Right Side



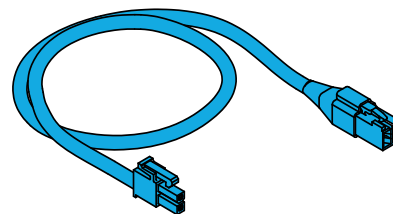
1600-22511004

Quickie Power, Sedeo Pro/Lite Swingaway Hanger Mount, Harness Cable



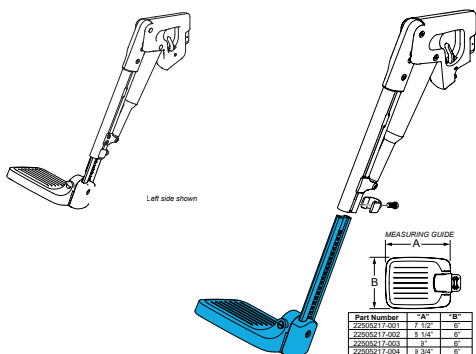
1600-22511005

Quickie Power, Sedeo Pro Swingaway Power ELR Right or Left Actuator-ISM Cable



Swingaway Hanger Footplates

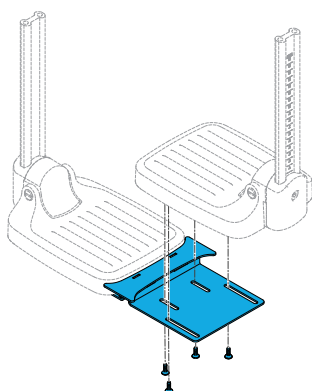
Quickie Power, Sedeo Pro Extension Mount Footplate
 Assembly _____" Universal Per Each



Width	Product Codes
15-16 "	1600-22505217-001
17-18 "	1600-22505217-002
19-20 "	1600-22505217-003
21-22 "	1600-22505217-004

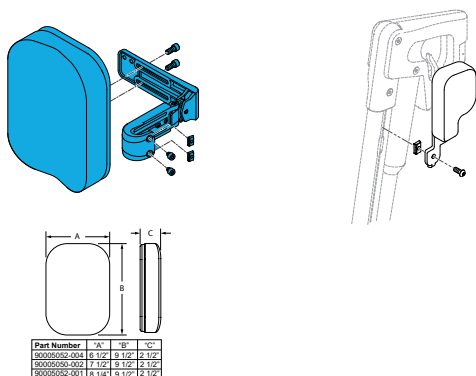
1600-90005040

Quickie Power, Sedeo Pro Footplate Coupler Kit



Knee & Calf Pads

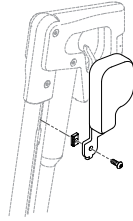
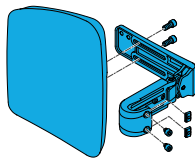
Quickie Power, Sedeo Pro Upholstered Calf pad, Pair Assembly for _____" Wide Chairs, Includes Mounting Brackets



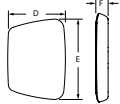
Width	Product Codes
15-16 "	1600-163403
17-20 "	1600-163404
21-22 "	1600-163405

1600-9010430

Quickie Power, Sedeo Pro Integral Style Calf Pad Assm for 18-20" Wide Chairs



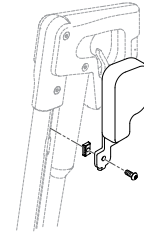
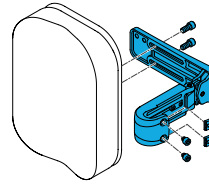
MEASURING GUIDE



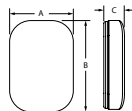
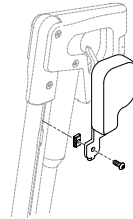
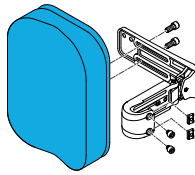
Part Number	"D"	"E"	"F"
9003198	7"	9.34"	1"

1600-9010160

Quickie Power, Sedeo Pro Calf Pad Mounting Bracket Assembly Each



Quickie Power, Sedeo Pro Upholstered Calf Pad Pair for _____ " Wide Chairs

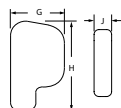
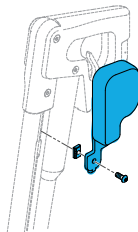


Part Number	"A"	"B"	"C"
90000502-004	6.12"	9.12"	2.12"
90000505-002	7.12"	9.12"	2.12"
90000505-001	8.12"	9.12"	2.12"

Width	Product Codes
15-16 "	1600-90005052-004
17-20 "	1600-90005050-002
21-22 "	1600-90005052-001

1600-22509128-002

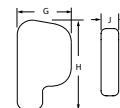
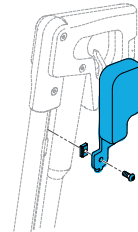
Quickie Power, Sedeo Pro Knee Pad/Cushion For Right Side Swingaway Hanger



Part Number	"G"	"H"	"J"
22509128-001	2.12"	4.14"	3/4"
22509128-002			

1600-22509128-001

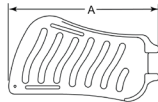
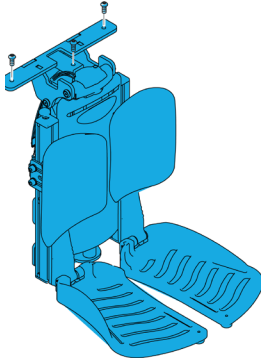
Quickie Power, Sedeo Pro Knee Pad/Cushion For Left Side Swingaway Hanger



Part Number	"G"	"H"	"J"
22509128-001	2.12"	4.14"	3/4"
22509128-002			

Power Centre Mount Mechanical Ext

Quickie Power, Sedeo Pro Power Center Mount Assembly
 _____ Footplate With _____ Calf Pads



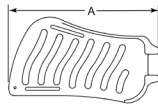
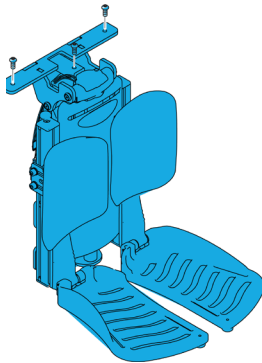
MEASURING GUIDE

DIM A	DESCRIPTION
11.25"	STANDARD
13.25"	LARGE

Footplates	Calf Pads	Product Codes
Standard	Standard	1600-163394
Large	Standard	1600-163395
Large	Large	1600-163396

Power Centre Mount ELR Power Ext

Quickie Power, Sedeo Pro Power Center Mount ELR with Power
 Ext Assembly _____ Footplate With _____ Calf Pads



MEASURING GUIDE

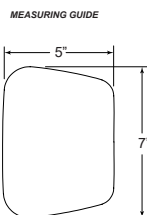
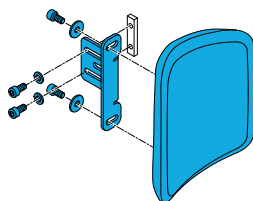
DIM A	DESCRIPTION
11.25"	STANDARD
13.25"	LARGE

Footplates	Calf Pads	Product Codes
Standard	Standard	1600-163400
Large	Standard	1600-163401
Large	Large	1600-163402

Power Centre Mount Parts

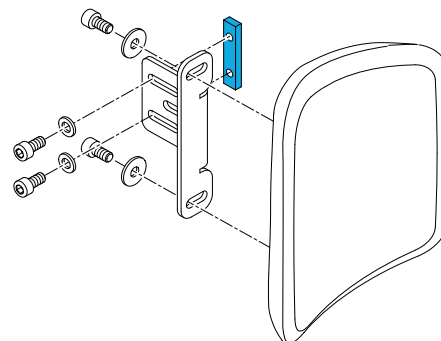
1600-22505027

Quickie Power, Sedeo Pro Power Center Mount Calf Pad Assembly Per side, Order with 1600-131065



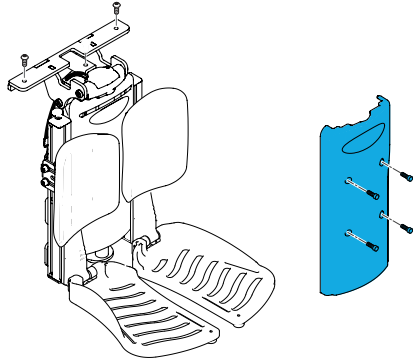
1600-131064

Quickie Power, Sedeo Pro M6 Channel Nut



1600-136475

Quickie Power, Sedeo Pro Power Center Mount Shroud/Cover and Hardware



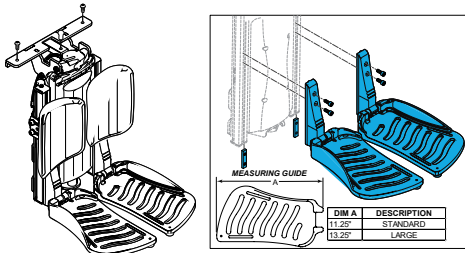
1600-136473

Quickie Power, Sedeo Pro Power Center Mount Small Parts Kit.

POWER CENTERMOUNT SMALL PARTS KIT							
ITEM #	ILLUSTRATION	DESCRIPTION	QTY	ITEM #	ILLUSTRATION	DESCRIPTION	QTY
Not Shown		TUBE FOOTREST EXTRUDE CAP	2 Right, 2 Left	10		SHCS M8 X 1 X 16 FULL, PL, SP	4
Not Shown		FHCS M5 X 0.8 X 10 PL, RCHS	4	3		BEARING IGUS GFM-1012-05	4
Not Shown		BHCS, M5 X 0.8 X 8 FULL, PL, SP	4	Not Shown		BOSS ACTUATOR	4
8		M6 CHANNEL NUT FTPLT	4	Not Shown		FHCS M5X0.8X25, FULL, PL, SP	4
Not Shown		SHCS, M5X0.8X20 FULL, PL	2	Not Shown		ACT-MBX1.25-X12 PL	1
Not Shown		SHCS, M5X0.8X16, FULL, NP, SP	2	Not Shown		SHCS, M5X0.8X16, FULL, NP, SP	2

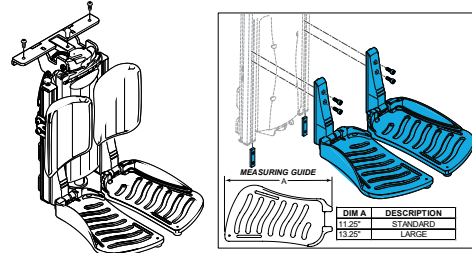
1600-163193

Quickie Power, Sedeo Pro Power Center Mount, Standard Footplate Kit Only



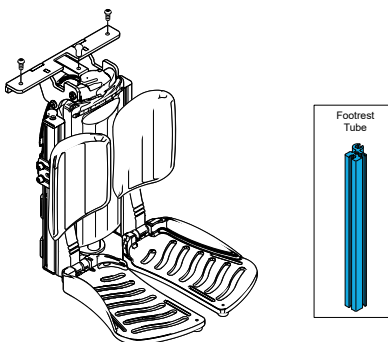
1600-163194

Quickie Power, Sedeo Pro Power Center Mount, Large Footplate Kit Only



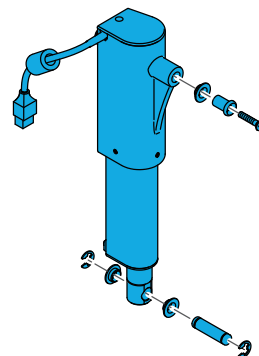
1600-130320

Quickie Power, Sedeo Pro Centre Mount Legrest Tube/Rail fits Left or Right



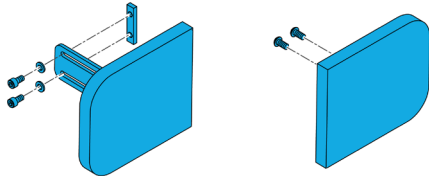
1600-249756

Quickie Power, Sedeo Pro Power Centre Mount Legrest elevation Actuator Kit



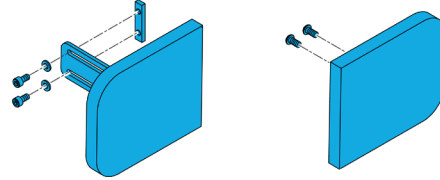
1600-163447

Quickie Power, Sedeo Pro Power Centre Mount Calf Pad (6'x7") Assembly Right side



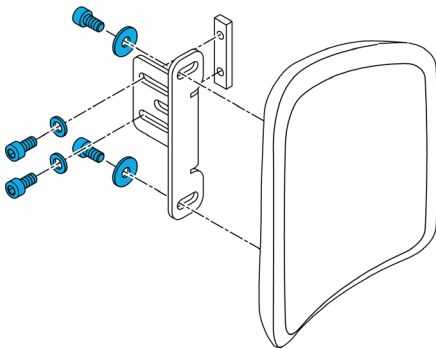
1600-163446

Quickie Power, Sedeo Pro Power Centre Mount Calf Pad (6'x7") Assembly Left side



1600-130320

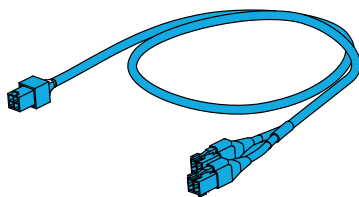
Quickie Power, Sedeo Pro Power Centre Mount Calf Pad Mounting Kit Per Side



Power Centre Mount Wiring

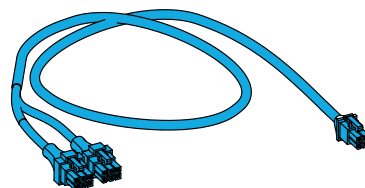
1600-248515

Quickie Power, Sedeo Pro Power Center Mount Actuator Harness/Cables Control Side



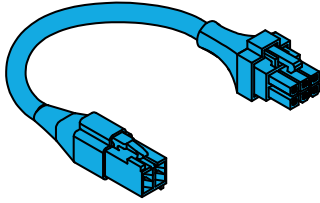
1600-248516

Quickie Power, Sedeo Pro Power Center Mount Actuator Harness/Cables Actuator Side



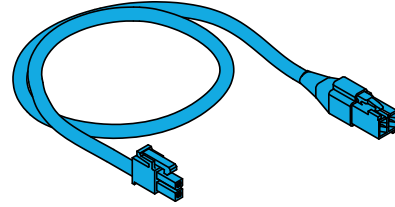
1600-248743

Quickie Power, Sedeo Pro Power Center Mount, Single Actuator Channel 3 Actuator Cable 500mm



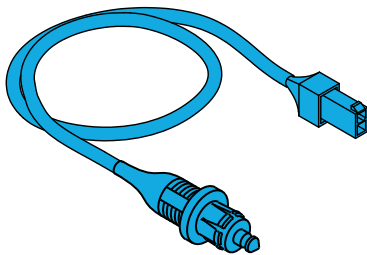
1600-22511004

Wiring for Power Swing-Away Legrest - IMS to Actuator Harness



1600-22511005

Quickie Power, Sedeo Pro Power Swingaway Hangers Actuator Harness/Cables Legrests to ISM

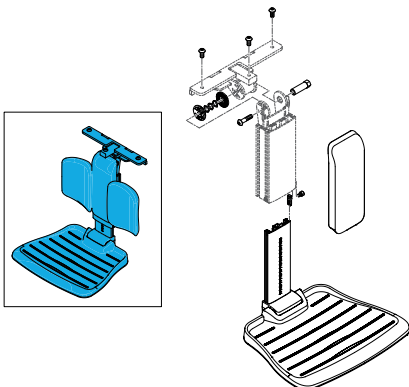


Sedeo Lite Legrests

Angle Adjustable Centre Mount

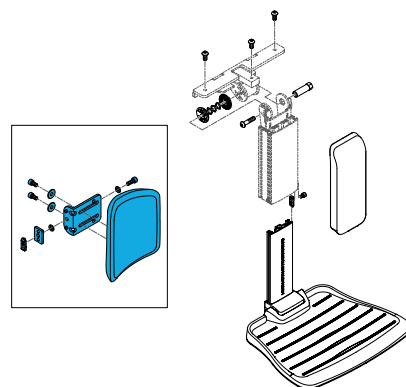
1600-164260

Quickie Power, Sedeo Lite Angle Adjustable Center Mount Legrest



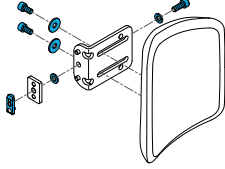
1600-22505115

Quickie Power, Sedeo Lite Angle Adjustable Center Mount Legrest Calf Plate Assembly



1600-253789

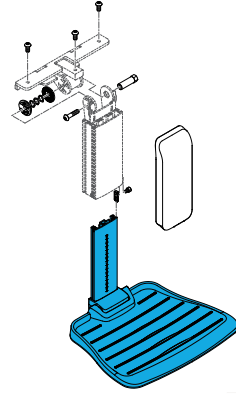
Quickie Power, Sedeo Lite Angle Adjustable Center Mount
Legrest Hardware Kit



HARDWARE KIT		
	CLAMP NUT PROFILES	1
	SHCS ISO4762 M6x12 8.8 DPS NP	2
	WASHER ISO7093 6.4 A2 ZNS	2
	SHCS ISO4762 M6x16 12.9 DPS NP	1
	WASHER ISO7089 6.4 A2 ZNS	2

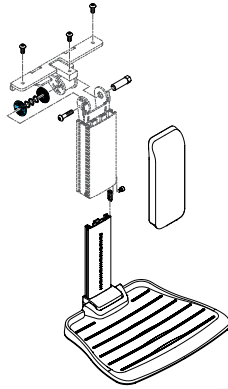
1600-22505105

Quickie Power, Sedeo Lite Angle Adjustable Center Mount
Footrest lower Assembly Including Footplate



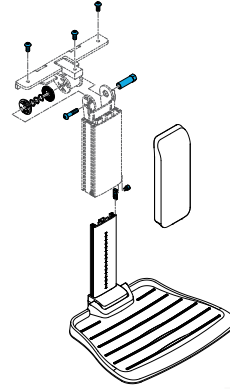
1600-22505116

Quickie Power, Sedeo Lite Angle Adjustable
Center Mount Footrest Adjustment Wheel Kit



1600-253788

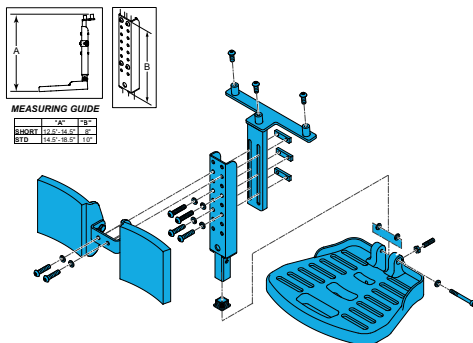
Quickie Power, Sedeo Lite Angle Adjustable Centre
Mount Footrest Hardware Kit



Fixed Centre Mount Assembly

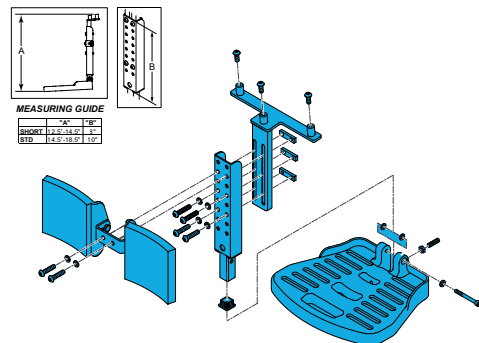
1600-163573

Quickie Power, Sedeo Pro/Lite Fixed Centre Mount Footrest
Assembly Short



1600-163574

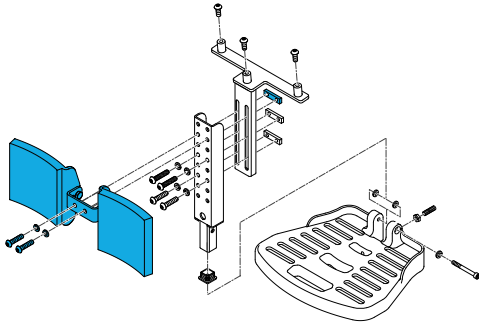
Quickie Power, Sedeo Pro/Lite Fixed Centre Mount Footrest
Assembly Long



Fixed Centre Mount Parts

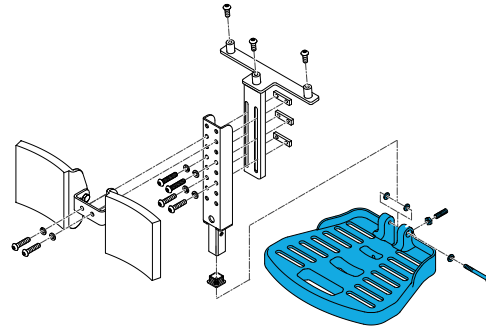
1600-10318

Quickie Power, Sedeo Pro/Lite Fixed Centre Mount, Calf Pad and Hardware



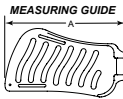
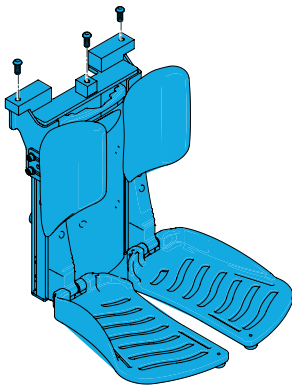
1600-101685

Quickie Power, Sedeo Pro/Lite Fixed Centre Mount Footplate Assembly



Fixed Centre Mount Dual Footplate

Quickie Power, Sedeo Pro Fixed Center Mount Assembly _____
Dual Footplates With _____ Calf Pads



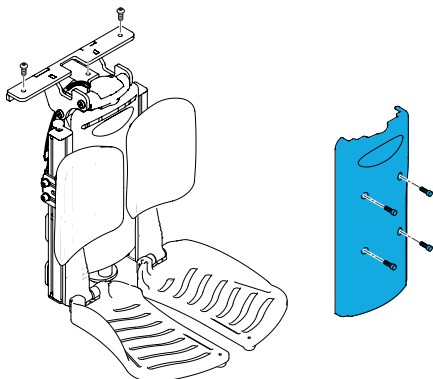
DIM A	DESCRIPTION
11.25"	STANDARD
13.25"	LARGE

Footplates	Calf Pads	Product Codes
Standard	Standard	1600-163453
Large	Standard	1600-163454
Large	Large	1600-163455

Parts

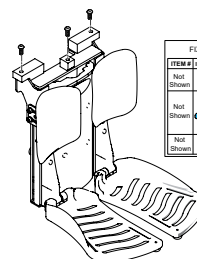
1600-136475

Quickie Power, Sedeo Pro Fixed Center Mount Dual Footplate Shroud/CoverKit With Fasteners



1600-136489

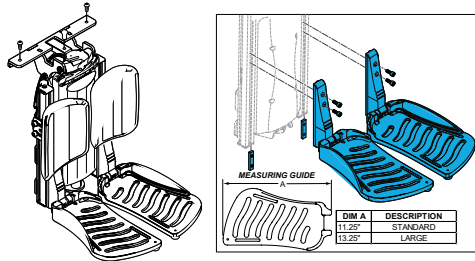
Quickie Power, Sedeo Pro Fixed Center Mount Dual Footplate Small Parts Kit



ITEM #	ILLUSTRATION	DESCRIPTION	QTY	ITEM #	ILLUSTRATION	DESCRIPTION	QTY
Not Shown		PLATE SLIDE REAR	2	5		MS CHANNEL NUT FTPE1	4
Not Shown		TUBE FOOTREST EXTRUDE CAP	1 RH, 1 LH	7		SCREW MS X 1 X 16 FULL PL SP	8
Not Shown		WASHER FLAT MS	4	9		SCREW MS X 0.8 X 8 FULL PL SP	2

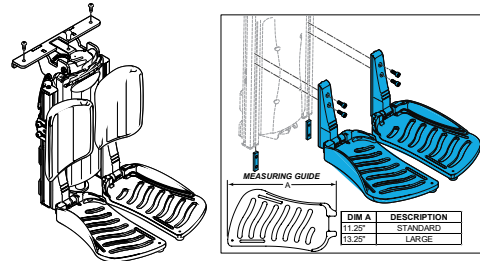
1600-163193

Quickie Power, Sedeo Pro Fixed Center Mount Dual Footplate,
Replacement Standard Footplate Kit, Pair



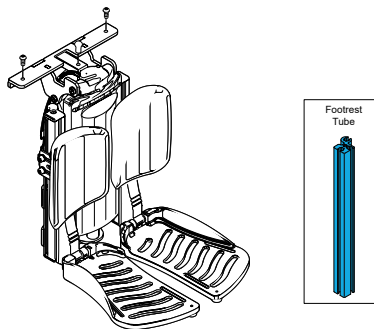
1600-163194

Quickie Power, Sedeo Pro Fixed Center Mount Dual Footplate,
Replacement Large Footplate Kit, Pair



1600-130320

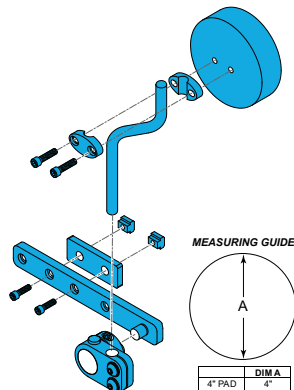
Quickie Power, Sedeo Pro Centre Mount Legrest Tube/Rail
fits Left or Right



Knee Pads

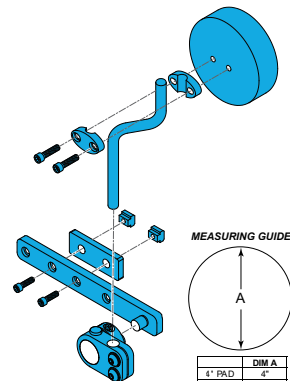
1600-125582

Quickie Power, Sedeo Pro Rail Mounted Knee Support Assembly
Right Side, With 4" Pad



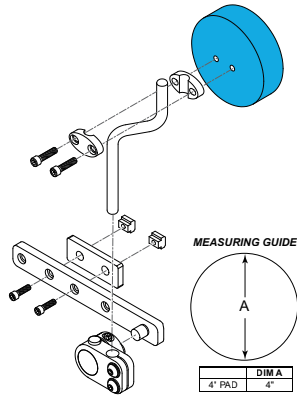
1600-125583

Quickie Power, Sedeo Pro Rail Mounted Knee Support Assembly
Left Side, With 4" Pad



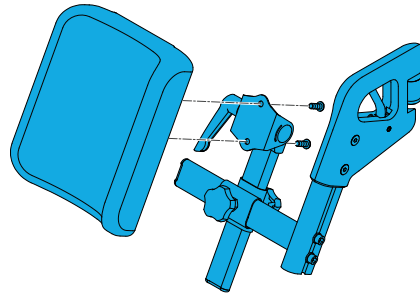
1600-KAD11XX

Quickie Power, Sedeo Pro Rail Mounted Knee Support 4"
Pad only



1600-22505200-002

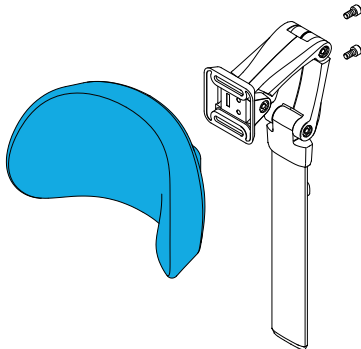
Quickie Power, Sedeo Pro Swingaway Amputation Support
Right Side



Headrests

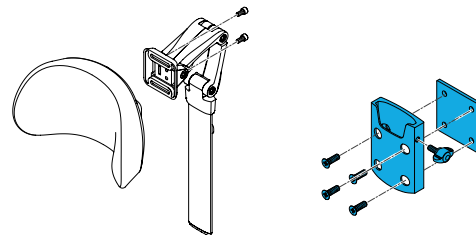
1480-1010957

Quickie Power, Sedeo Standard Headrest



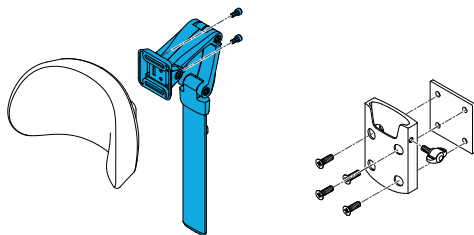
1480-248225

Quickie Power, Pro Back Headrest Moun



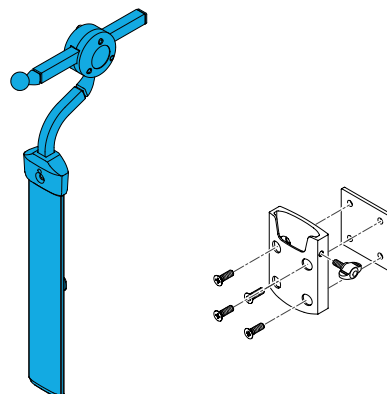
1480-21809210

Quickie Power, Sedeo Headrest Mount



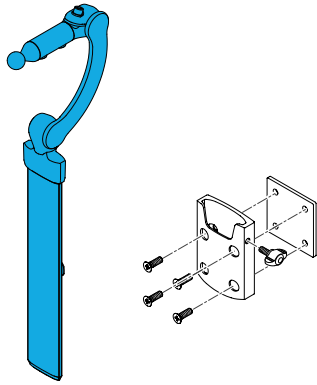
1480-245912

Quickie Power, Sedeo-Axys Headrest Assembly



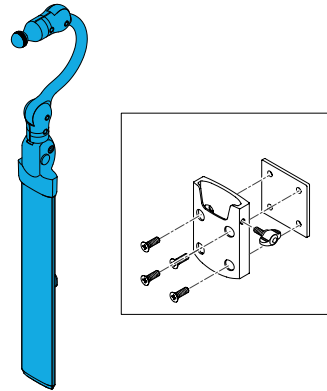
1480-245914

Quickie Power, Sedeo Linx Headrest Assembly



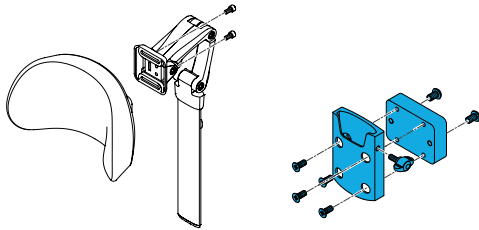
1480-245915

Quickie Power, Sedeo-Cobra Flip Headrest Assembly



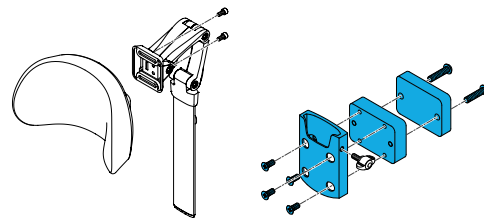
1480-248715

Quickie Power, Pro J3 Back Hedrest Thick Mount; 16" - 18" width



1480-248716

Quickie Power, Wide Pro J3 Back Headrest Thick Mount; 20" - 22" width

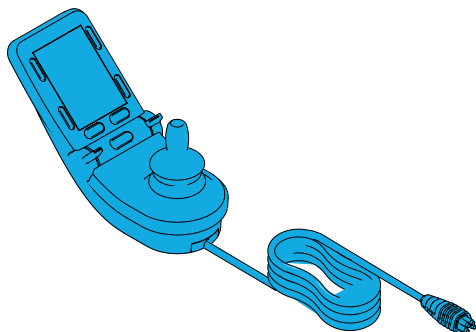


Joystick

CJSM2

1615-D51595

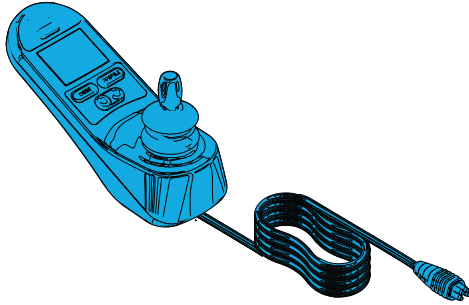
RNET, CJSM2 Joystick, Complete with Mk1 Button Keypad



CJSM1

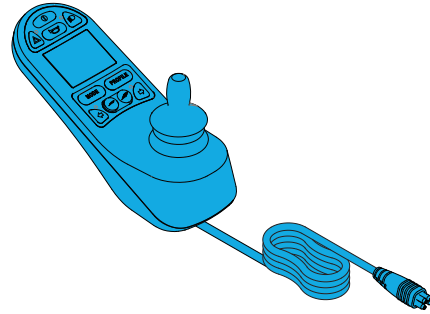
1615-D51607

RNET, CJSM Joystick, Complete With Jack Ports (compatible with Actuator Switches)



1615-D51153

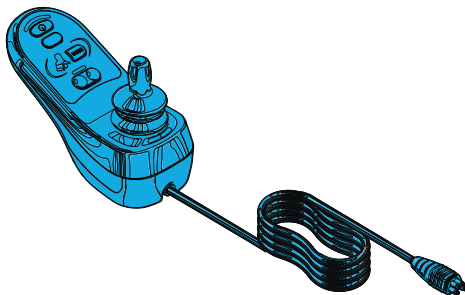
RNET, CJSM Joystick, Complete With Lights and Jack Ports (compatible with Actuator Switches)



LED

1615-D51122

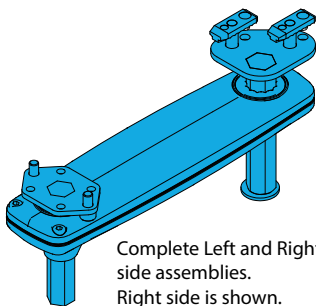
RNET, JSM Joystick, LED basic joystick complete with Jack Ports



Mounts

1600-163451

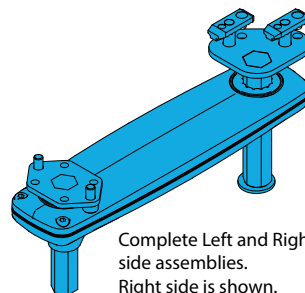
Quckie Power, Sedeo Pro HC Retractable Joystick Mount Assembly Right Side



Complete Left and Right side assemblies. Right side is shown.

1600-163452

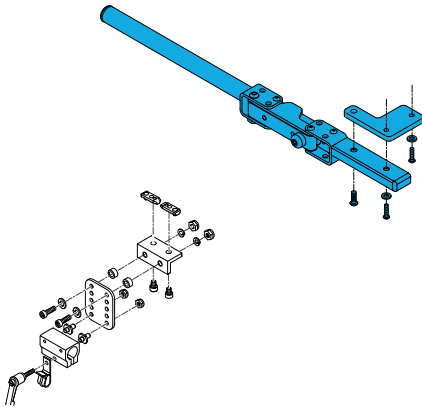
Quckie Power, Sedeo Pro HC Retractable Joystick Mount Assembly Left Side



Complete Left and Right side assemblies. Right side is shown.

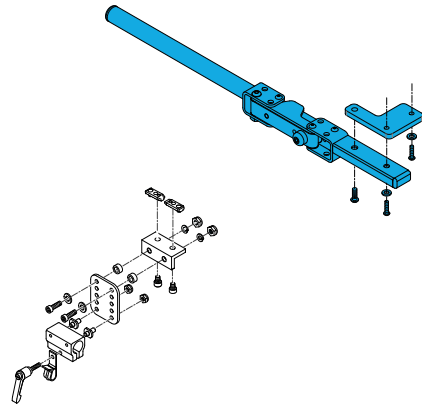
1600-120593

Quickie Power, Sedeo Pro & Lite Round Tube Swingaway Joystick Mount Assembly Right Side



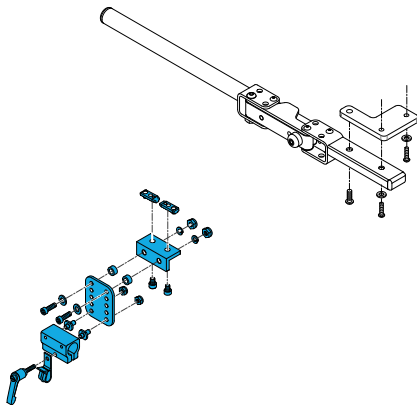
1600-120594

Quickie Power, Sedeo Pro & Lite Round Tube Swingaway Joystick Mount Assembly Left Side



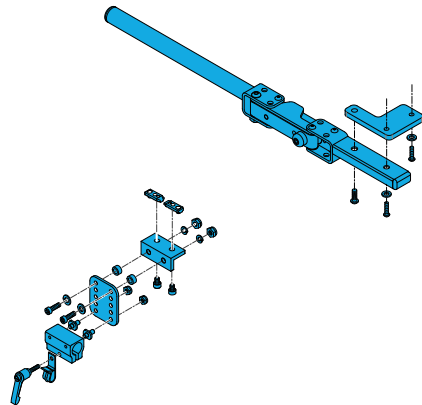
1600-164202

Quickie Power, Sedeo Pro Round Joystick Mount Assembly



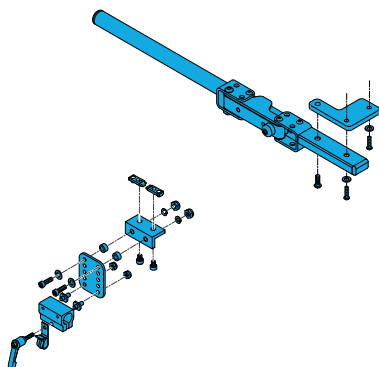
1600-164204

Quickie Power, Round Joystick Pro Mount Swingaway Assembly RHS



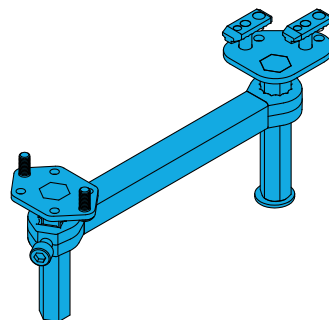
1600-164203

Quickie Power, Round Joystick Pro Mount Swingaway Assembly LHS



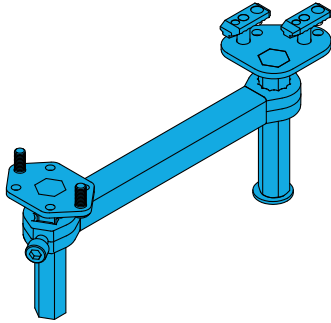
1600-163449

Quickie Power, Sedeo Pro & Lite HC Fixed Joystick Mount Right Side



1600-163450

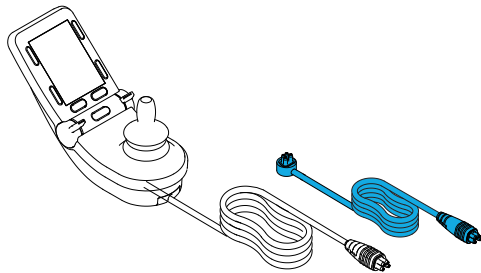
Quickie Power, Sedeo Pro & Lite HC Fixed Joystick
Mount Left Side



Parts

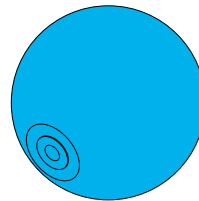
1615-SA81500L12

RNET CJSM2, Joystick Spare Part, 90 Deg Input RNET Cable
120 cm



1615-SA81095

RNET Accessory, Joystick Knob, Softball



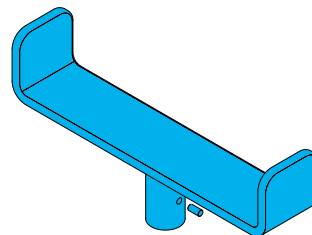
1615-P75755

RNET Accessory, Joystick Knob, Standard



1615-SA72410

RNET Accessory, Joystick Knob, T Bar



1615-SA72434

RNET Accessory, Joystick Knob, Old Style Sponge ball



1615-SA72435

RNET Accessory, Joystick Knob, Stick Knob S81



1615-SA72439

RNET Accessory, Joystick Knob, Mushroom M49



1615-SA72441

RNET Accessory, Joystick Knob, Solid Ball B39



1600-101

Bodypoint Joystick Handle 3" Wide U Shape



1600-102

Bodypoint Joystick Handle 4" Wide U Shape



1600-110

Bodypoint Joystick Handle Grooved Mushroom



1600-107

Bodypoint Joystick Handle Rubber Dome



1601-0101-291

Medifab Joystick comfort cover - Suits BP U Bracket 3"



1601-0101-292

Medifab Joystick comfort cover - Suits BP U Bracket 4"



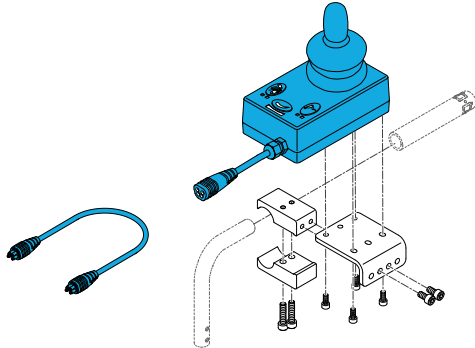
Joystick Repairs Now Available.

If you are needing any parts, Medifab are now credited to process Refurbs on any RNET technology. Please contact parts@medifab.com with any questions

Attendant Joystick

1615-D50882

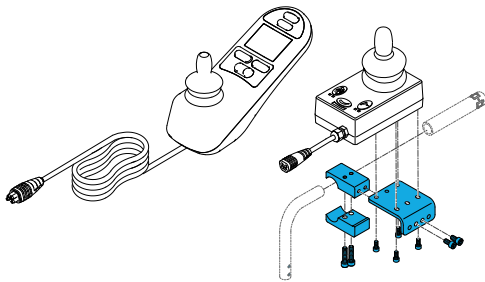
RNET, Attendant Joystick, With Female Bus Connector



Attendant Mounting Systems

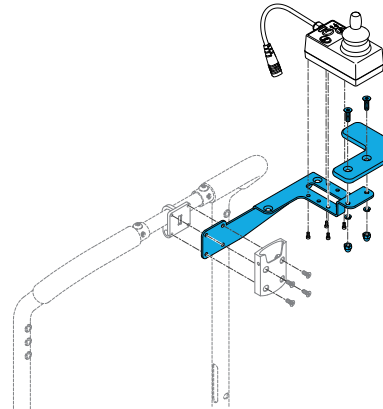
1600-131268

Quickie Power, Universal Universal Attendant Control 7/8" Mount



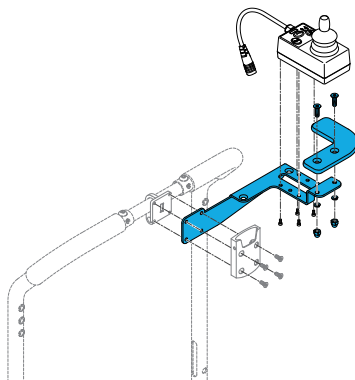
1600-22809050-001

Quickie Power, Sedeo Lite Attendant Control Mount Assembly Left Side



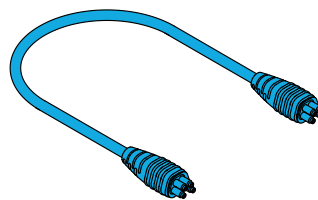
1600-22809050-002

Quickie Power, Sedeo Lite Attendant Control Mount Assembly Right Side



1600-108316-050

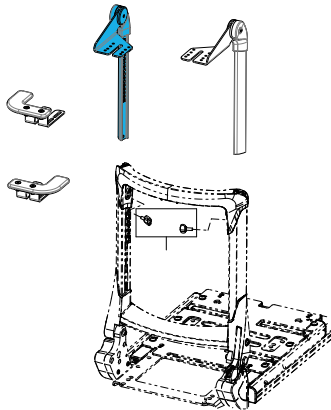
Quickie Power, R-Net Bus Cable/Harness 500mm



Dist Block to ISM or
Dist Block to Bluetooth mounted on Seat

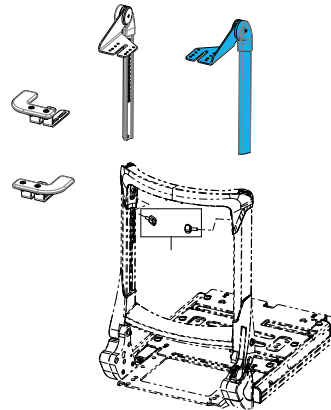
1600-9315-LHS

Quickie Power Attendant Control Assembly LHS



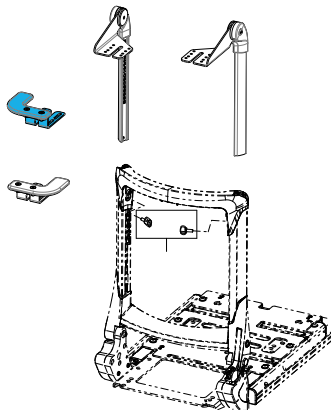
1600-9315-RHS

Quickie Power Attendant Control Assembly RHS



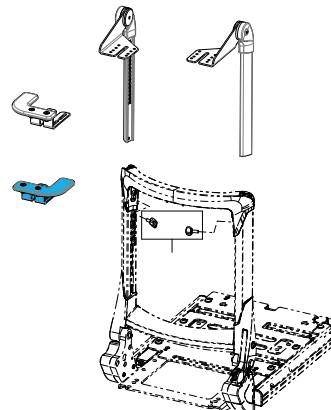
1600-22503415-002

Quickie Power, Palm Rest for Sedeo Pro Attendant Control Mount LHS



1600-22503415-001

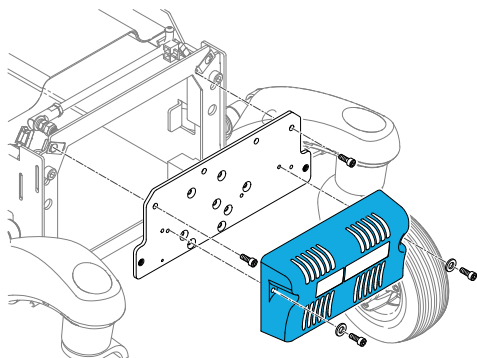
Quickie Power, Palm Rest for Sedeo Pro Attendant Control Mount RHS



Accessory Electronics

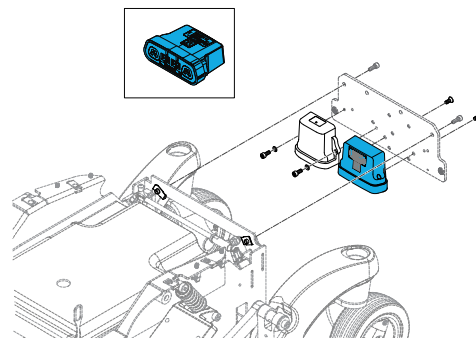
1615-D50903

RNET, Power Module 120 Amp



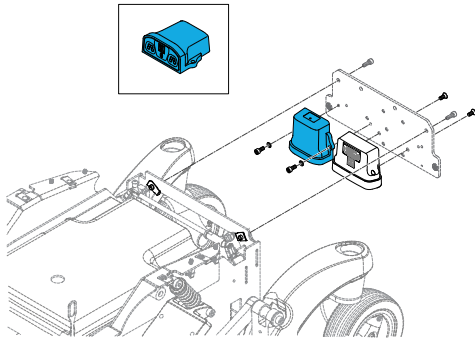
1600-241648

Quickie Power, RNET Light Module Only



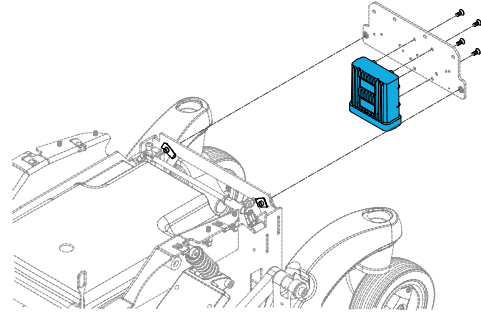
1600-015575

Quickie Power, Motor Encoder Module



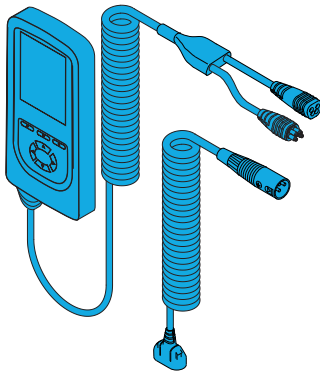
1615-D50602

RNET, ISM (Intelligent Seating Module) 6 Channel with Lights.



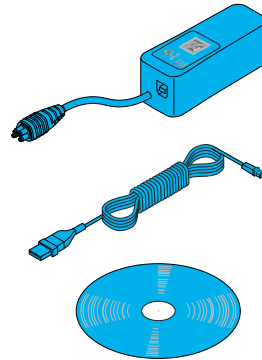
1600-D50996

Quickie Power RNET/VR2 HandHeld Programmer



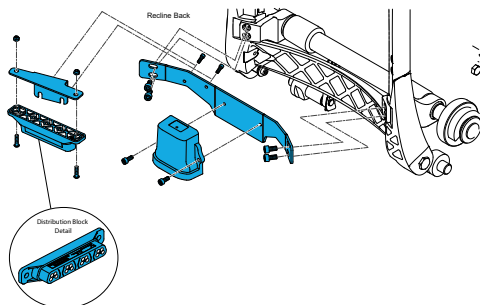
1615-D50609

RNET, Programmer Dongle, Dealer Version



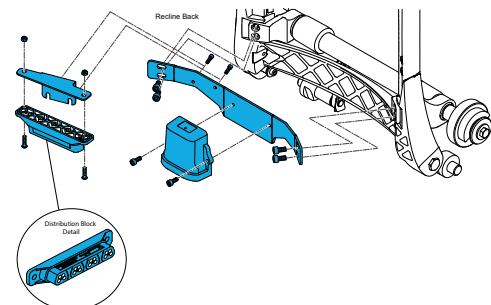
1615-D51508

RNET, ASM (Advanced Stability Module)



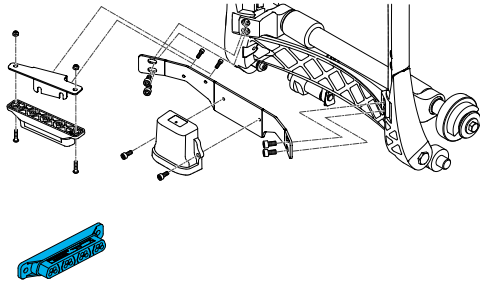
1600-164131

Quickie Power, Accelerometer Stability Module/Gyro Module and Distribution block assembly



1600-108312

Quickie Power, RNET Distribution Block

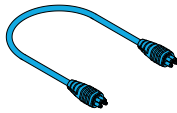


RNET Cables

Bus Cables/Harness

1615-SA77525L03

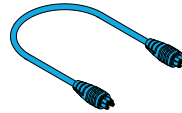
RNET, Bus Harness Cable (M-M), 0.3m long



1C Controller Joystick Port to Bluetooth, or Dist Block or Bluetooth to Output Module without Power Recline, or Controller Joystick Port to ISM in Base

1615-SA77525L05

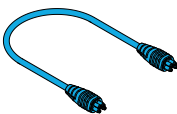
RNET, Bus Harness Cable (M-M), 0.5m long



1A Dist Block to ISM or Dist Block to Bluetooth mounted on Seat

1615-SA77525L10

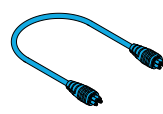
RNET, Bus Harness Cable (M-M), 1m long



1D Distribution Block to Attendant Control, or Rnet Ext to Dist Block with Tilt/Lift combo

1615-SA77525L12

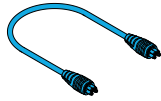
RNET, Bus Harness Cable (M-M), 1.2m long



1B Non-expandable Rnet Bus Ext to ISM with Legrests only, or Rnet Bus Ext to Dist Block without Tilt/Lift combo, or Dist Block to Omni or Output Module with Power Recline

1615-SA77525L15

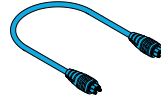
RNET, Bus Harness Cable (M-M), 1.5m long



1B Non-expandable Rnet Bus Ext to ISM with Legrests only, or Rnet Bus Ext to Dist Block without Tilt/Lift combo, or Dist Block to Omni or Output Module with Power Recline

1615-SA77525L20

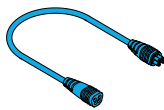
RNET, Bus Harness Cable (M-M), 2m long



1B Non-expandable Rnet Bus Ext to ISM with Legrests only, or Rnet Bus Ext to Dist Block without Tilt/Lift combo, or Dist Block to Omni or Output Module with Power Recline

1615-SA78640L05

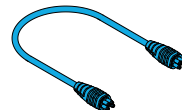
RNET, Bus Harness Extension Cable (M-F), 0.5m long



2B Controller Joystick Port or ISM in Base or Bluetooth in Base to Rnet Ext without Tilt or with Tilt/Lift combo

1615-SA77525L10

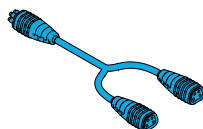
RNET, Bus Harness Extension Cable (M-F), 1m long



1D Distribution Block to Attendant Control, or Rnet Ext to Dist Block with Tilt/Lift combo

1615-SA81331

Harness R-Net Bus Splitter

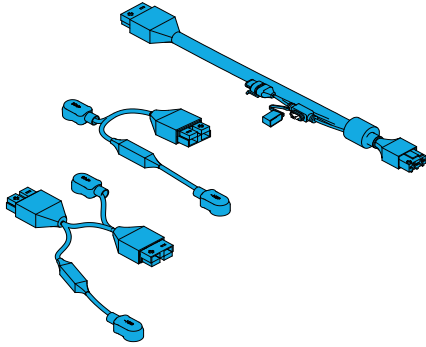


3 Used with CTRL+5 with Joystick, Omni, and Attendant

Battery Harness

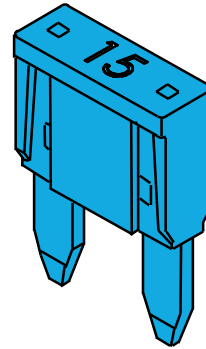
1600-164136

Quickie Power, Battery Harness 100A Kit



1600-249005

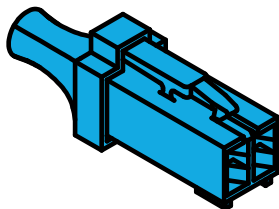
Quickie Power, 15A Mini Fuse



Wiring

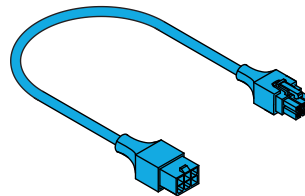
1600-248506

Quickie Power, Harness Inhibit Shortening Plug I3



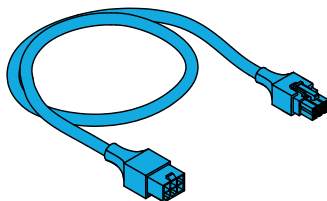
1600-21211005-100

Quickie Power, Sedeo Pro Actuator 150cm Extension Cables



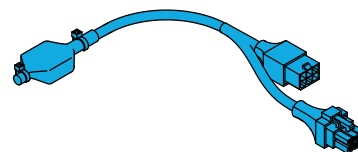
1600-21211005-150

Quickie Power, Sedeo Pro Actuator 150cm Extension Cables



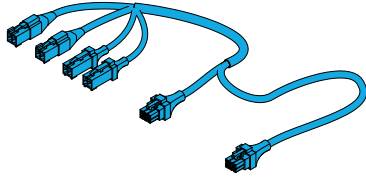
1600-248490

Quickie Power, Sedeo Pro Tilt/Lift Combo Lift Actuator E Break PM7 Assembly



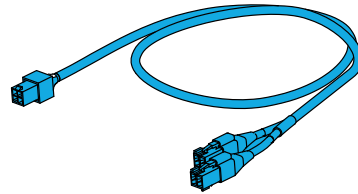
1600-248517

Quickie Power, Sedeo Pro Tilt/Lift Combo Harness Cables



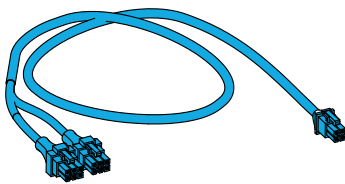
1600-248515

Quickie Power, Sedeo Pro Power Center Mount Actuator
Harness/Cables Control Side



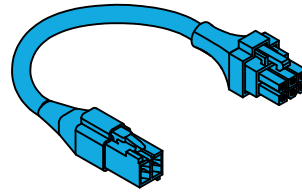
1600-248516

Quickie Power, Sedeo Pro Power Center Mount Actuator Har-
ness/Cables Actuator Side



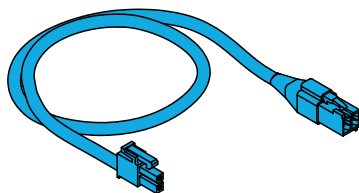
1600-248743

Quickie Power, Sedeo Pro Power Center Mount, Single
Actuator Channel 3 Actuator Cable 500mm



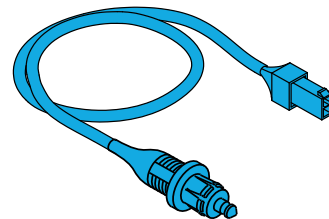
1600-2251004

Quickie Power, Wiring for Power Swing-Away Legrest -
IMS to Actuator Harness



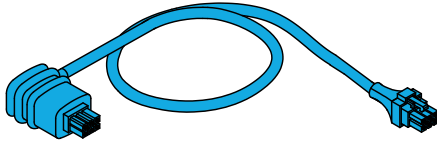
1600-2251005

Quickie Power, Sedeo Pro Power Swingaway Hangers
Actuator Harness/Cables Legrests to ISM



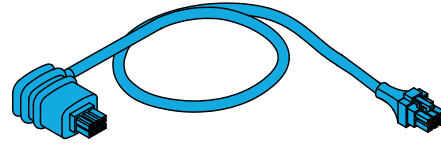
1600-249002

Quickie Power, Recline Actuator Cable (Check Specifics)



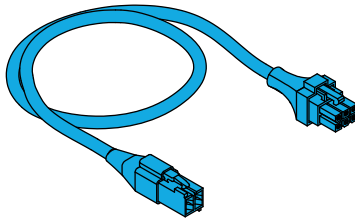
1600-22511003

Quickie Power, Recline Actuator Cable (Check Specifics)



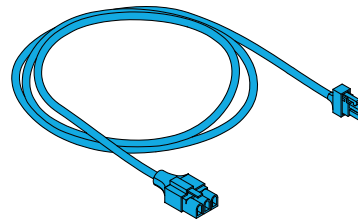
1600-249247

Quickie Power, Sedeo Pro Power Recline Actuator connector cable for chair with Lift



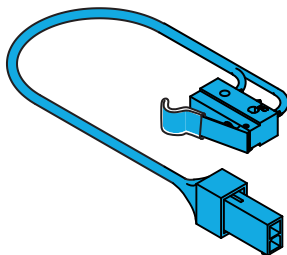
1600-249997

Quickie Power, Sedeo Pro Power Recline Home Cable, No Switch



1600-250084

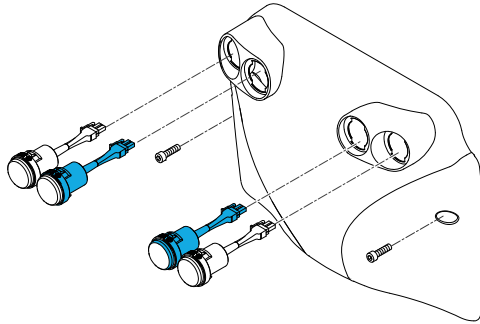
Quickie Power, Sedeo Pro Power Recline Home Switch, No Cable



Lighting

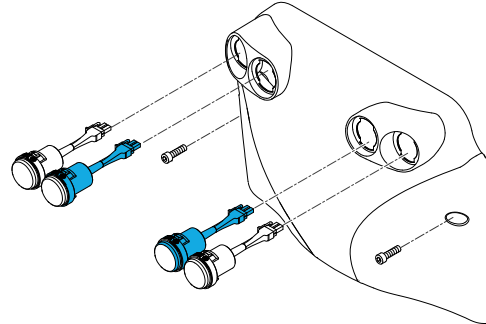
1600-20009025-002

Quickie Power Lighting, LED Amber Indicator Signal Light
Per Each



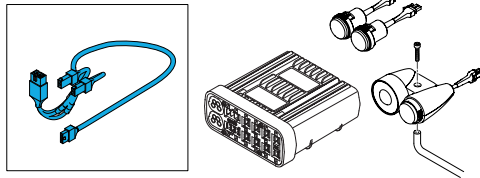
1600-20009025-001

Quickie Power Lighting, LED Red Tail Light Per Each



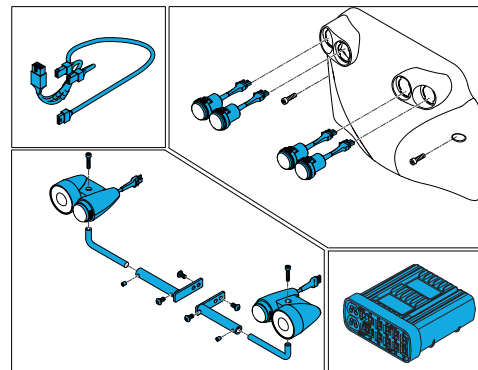
1600-244585

Quickie Power ISML Harness; Light Module Harness/Cables;
Order x 2 for complete set



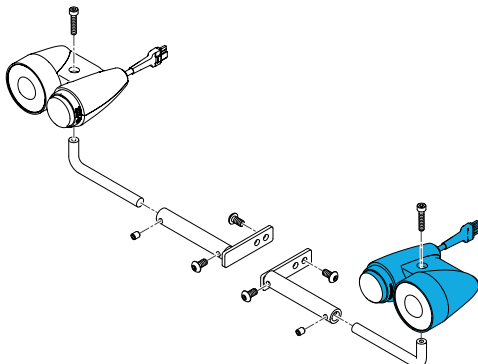
1600-163566

Quickie Power Lighting with ISML- Retrokit



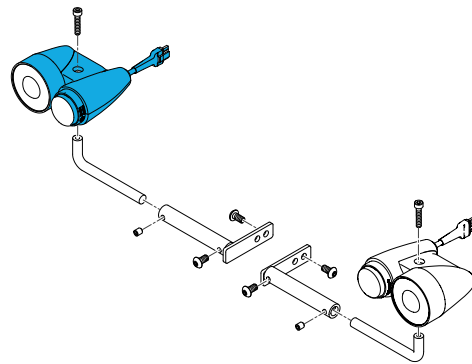
1600-243298

Quickie Power Front Left Light Assembly



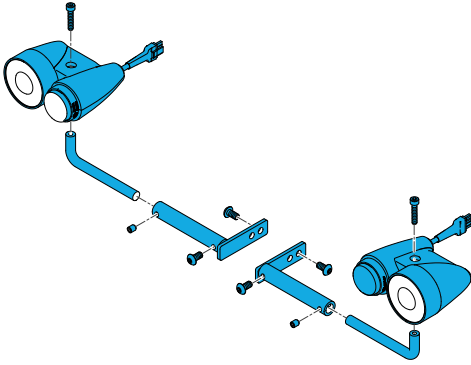
1600-243301

Quickie Power Front Right Light Assembly



1600-160912

Quickie Power, Lighting Front assembly



medifab

Distributed in NZ by Medifab Ltd

22 Detroit Drive,
Rolleston, 7675
New Zealand

0800 543 343

solutions@medifab.com

www.medifab.com



DISTRIBUTED BY: