

ZOOMI/ZOOMI+

INSTRUCTIONS FOR USE

Zoomi 13011, 13021, 13031 / Zoomi+ 13012, 13022, 13032



CONTENTS

ZOOMI/ZOOMI+.....	0
1.0 INTRODUCTION.....	2
2.0 ILLUSTRATION OF YOUR ZOOMI SEATING SYSTEM	3
3.0 ILLUSTRATION OF YOUR ZOOMI + SEATING SYSTEM	4
4.0 PRODUCT CODES REFERENCE TABLE.....	5
5.0 TECHNICAL DATA.....	5
6.0 FOR YOUR SAFETY.....	6
7.0 ASSEMBLY AND ADJUSTMENT OF YOUR ZOOMI SEATING SYSTEM	7
7.1 SEAT FRAME	8
7.2 SEAT BOARD/PADDED SEAT (PLUS)/CONTOURED SEAT (Accessory).....	11
7.3 FOOT BOARD/SLOTTED FOOT BOARD (PLUS)/TRANSFER STEP (Accessory).....	12
7.4 BACK REST FRAME/ARM RESTS (PLUS).....	13
7.5 BACK REST/HIGH BACK REST (ACCESSORY).....	14
7.6 PELVIC LAP STRAP.....	15
7.6.1 PELVIC LAP STRAP BUCKLE OPERATION.....	15
7.7 FIVE POINT HARNESS (PLUS/ACCESSORY).....	16
7.8 QUICK RELEASE TRAY (PLUS/ACCESSORY).....	17
7.8.1 TRAY FITMENT/RELEASE	17
7.9 PADDED BACK REST (PLUS/ACCESSORY).....	18
7.10 MOBILE SKIS (PLUS/ACCESSORY)	19
8.0 CARE AND MAINTENANCE.....	20
8.1 DAILY CHECKS.....	20
8.2 ANNUAL SERVICE	20
8.3 NOMINAL SERVICE LIFE	20
8.4 EXTENDING NOMINAL SERVICE LIFE.....	21
8.5 DOCUMENTATION/RECORDS.....	22
8.6 PRODUCT CONFIGURATION	22
9.0 WARRANTY & SERVICE.....	23
10.0 CONTINUOUS IMPROVEMENT	23
11.0 SERVICE INSPECTION	24
11.1 Product Information.....	24
11.2 Service & inspection record form:	24



1.0 INTRODUCTION

Thank you for choosing the ZOOMI seating system from Smirthwaite.

The ZOOMI seating system has been designed with versatility and functionality in mind. It is a seating solution which grows with your child; from toddler to teen, encouraging social inclusion in both the home and school environment.

A wide range of optional accessories are available to purchase to suit your client's specific needs; please contact your area sales representative for further details.

The ZOOMI + adds a number of accessories to further improve the functionality of the ZOOMI product. These range from the skis, to provide mobility, to the quick release tray, which provides a stable surface for other activities.



IMPORTANT!

These instructions should be read by all therapists and carers using the equipment and should be retained for future reference. The product should always be used under adult supervision.

Any incorrect use of the product and failure to follow the instructions may put the user at risk or impede the function. If you have any queries using this product or wish for further copies, please do not hesitate to contact Customer Service department.

Contact: Smirthwaite Ltd

T: +44 (0)1626 835552

F: +44 (0)1626 835428

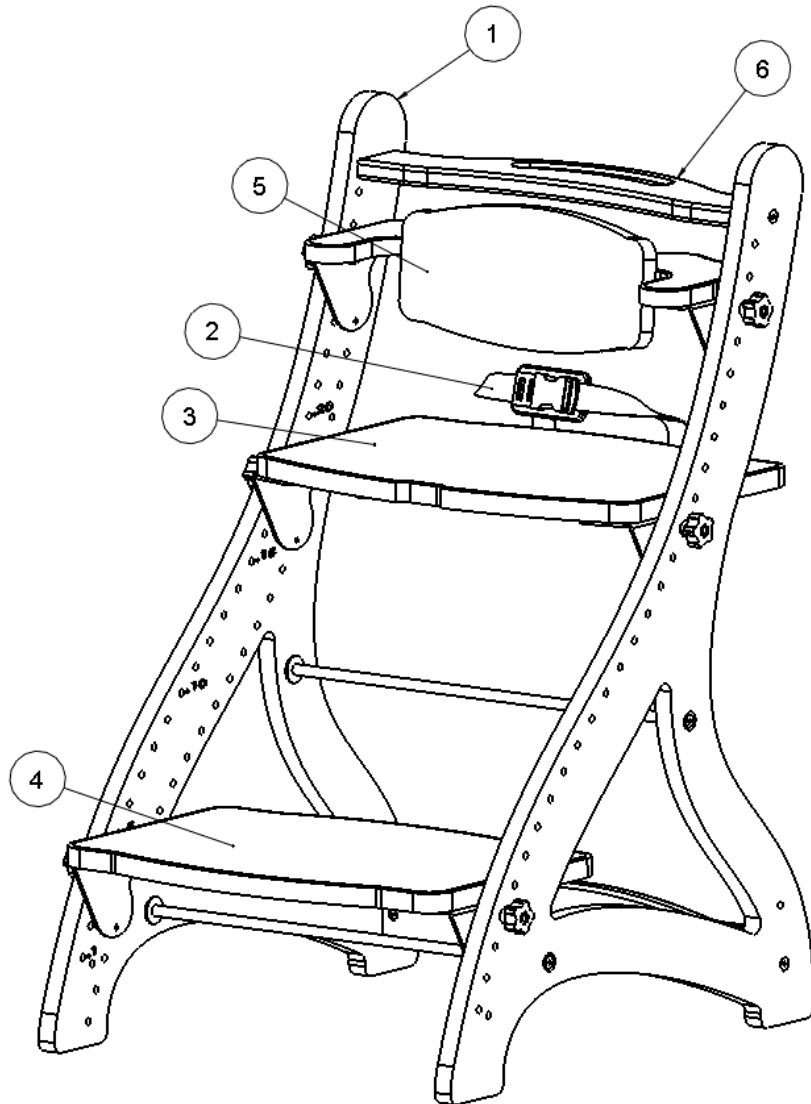
E: info@smirthwaite.co.uk



2.0 ILLUSTRATION OF YOUR ZOOMI SEATING SYSTEM

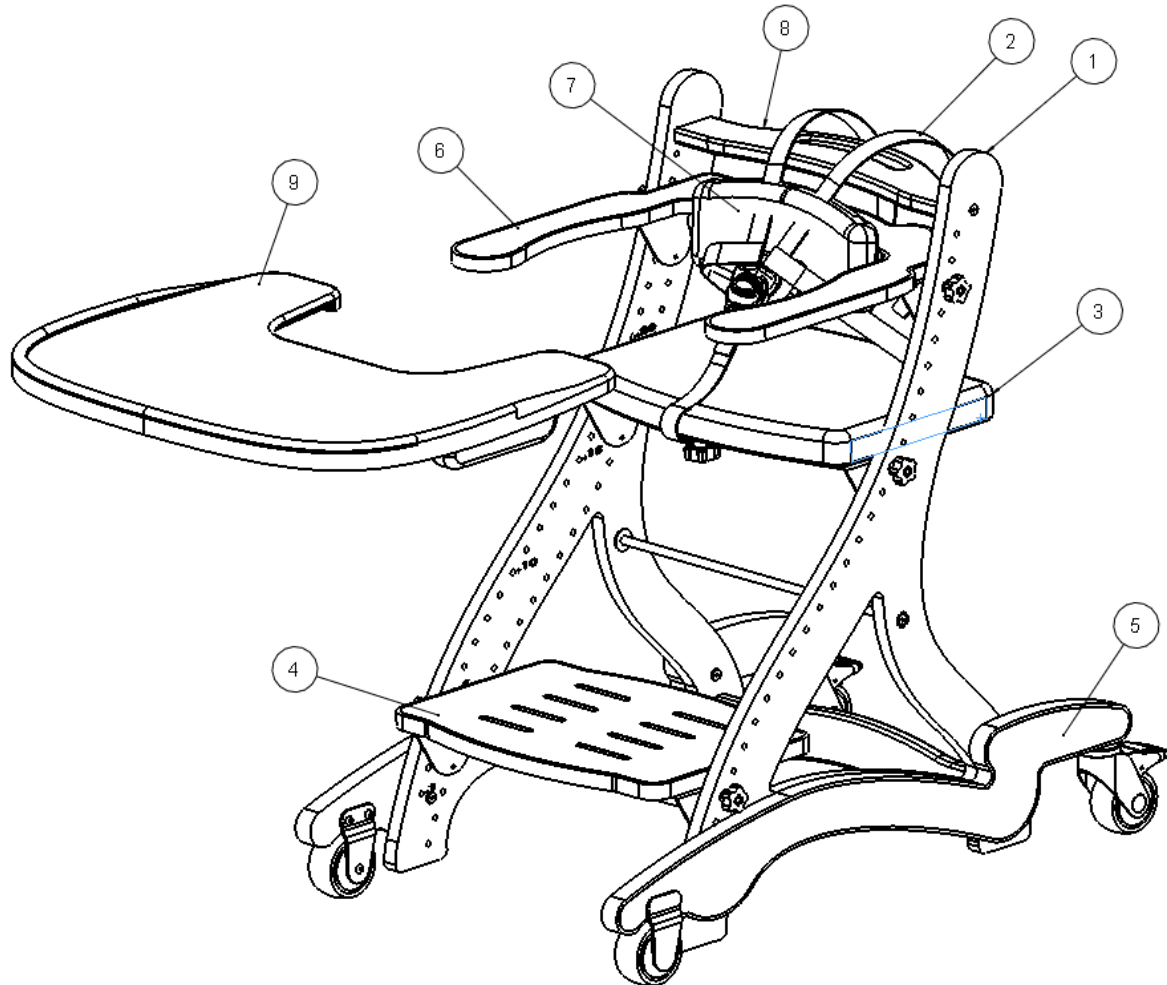
Zoomi

1. Main frame
2. Pelvic lap strap
3. Seat board
4. Foot board
5. Back rest
6. Push handle



3.0 ILLUSTRATION OF YOUR ZOOMI + SEATING SYSTEM

Zoomi +



1. Main frame
2. 5-point harness
3. Padded seat board
4. Slotted foot board
5. Mobile Skis
6. Arm rest
7. Padded back rest
8. Push handle
9. Quick release tray



4.0 PRODUCT CODES REFERENCE TABLE

PRODUCT / CLOUR	RED	LIME	BLUE
ZOOMI	13011	13021	13031
ZOOMI+	13012	13022	13032

5.0 TECHNICAL DATA

ZOOMI Seating System	
Dimension	All measured in mm
Frame (H x W x D)	810 x 450 x 550
Seat board (W x D)	430 x 300
Foot board (W x D)	430 x 300
Seat back rest (H x D)	130 x 270
Seat height from floor (max – min) ¹	400 – 650
Foot board height from floor (max – min) ^{1,2}	260 - 600
Back rest height from floor (max – min) ¹	500 - 720
Adjustment interval	25
Maximum user weight (kg)	85

Notes:

1. Ranges given are recommendations only – further adjustment range is possible.
2. Foot board can be removed, leaving option of foot flat to floor.



6.0 FOR YOUR SAFETY



STOP!

Please read these instructions CAREFULLY and THOROUGHLY.

- The user should NOT be left unattended whilst in the product. Always ensure a responsible therapist or carer is in attendance.
- The carer should be familiar with the methods of adjustment and have completed all adjustments appropriately to meet the needs of the child before transferring the child onto the product.
- Regular maintenance checks and cleaning are essential for the safe use of this equipment (see care and maintenance section).
- Ensure that all nuts, bolts and hand wheels are securely tightened and that none are missing.
- The product is ONLY to be used indoors on a flat level surface.
- Do NOT exceed the maximum user weight of 85kg.
- Always fasten the lap strap harness and any other straps provided with the product.
- Always keep this product away from naked flames, cigarettes and sources of heat including open fireplaces, radiators and heaters.
- DO NOT fit parts or accessories of other manufacturers to this product unless authorized to do so in writing by Smirthwaite Ltd. Failure to follow these instructions will not only invalidate the guarantee but could make the product dangerous to use. Smirthwaite Ltd will not accept liability for any injury or damage incurred through such malpractices.
- Any repairs required must be carried out by Smirthwaite Ltd authorized personnel.



STOP!

LAP STRAPS & HARNESSSES SAFETY NOTICE

Lap straps and harnesses must be appropriate and safe for the user and the users clothing.

Lap straps and harnesses must be checked every time the chair is used to ensure they are fitted as prescribed by the clinician, take account of the users clothing and are tightened so that the user cannot sustain injury.

Checking the fit of lap straps and harnesses must be done with the user in the chair and should be undertaken as soon as the users sits in the chair.





STOP!

If you believe this product to be faulty – DO NOT USE

Contact: Smirthwaite Ltd

T: +44 (0)1626 835552

F: +44 (0)1626 835428

E: info@smirthwaite.co.uk

7.0 ASSEMBLY AND ADJUSTMENT OF YOUR ZOOMI SEATING SYSTEM



STOP!

If in any doubt, ALWAYS seek ADVICE.

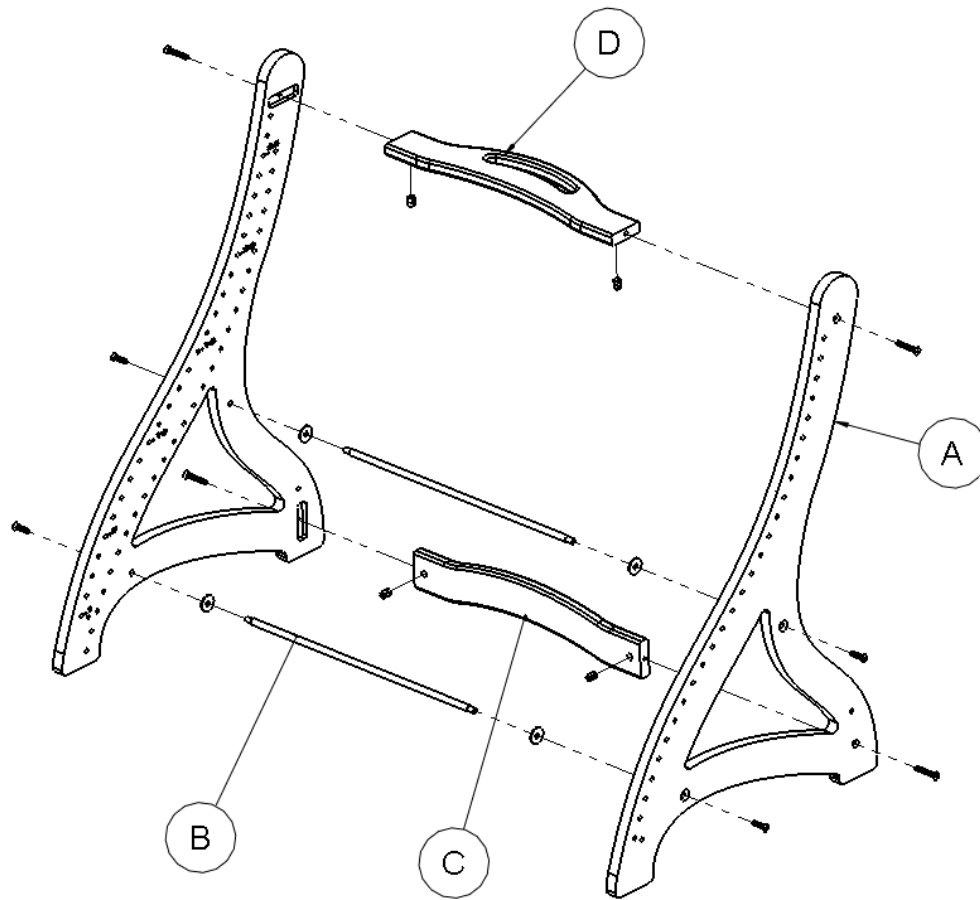
Always turn hand wheels, levers and screws clockwise to tighten or anti-clockwise to loosen.

When delivered, the product will be supplied flat packed, and will require assembly and setting up to suit your client's need.



7.1 SEAT FRAME

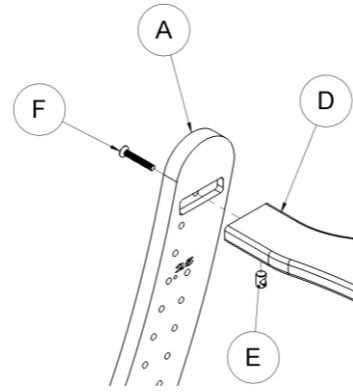
Assembly of the ZOOMI seat frame is the first task.



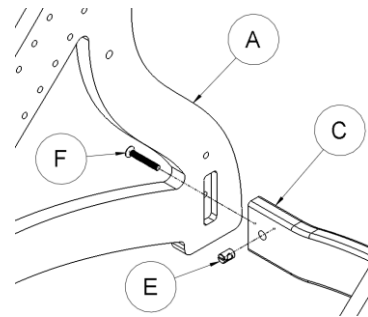
- A. Frame side
- B. Tie bar
- C. Cross bar
- D. Handle



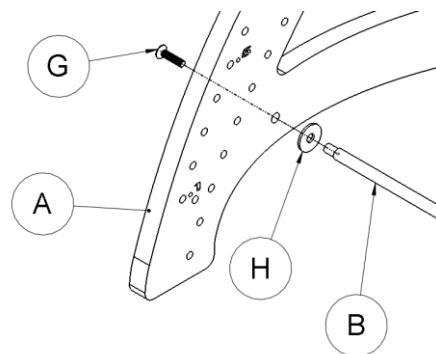
- Insert one end of the Handle (D) into frame side (A).
- Insert a M6 cross dowel (E) into the underside of the Handle (D).
- Fix together by inserting a M6 x 40 bolt (F) through the hole in frame side (A) and into the M6 cross dowel (E) now held in Handle (D).



- Insert one end of the cross bar (C) into frame side (A).
- Insert a M6 cross dowel (E) into the face of the cross bar (C).
- Fix together by inserting a M6 x 40 bolt (F) through the hole in frame side (A) and into the M6 cross dowel (E) now held in cross bar (C).



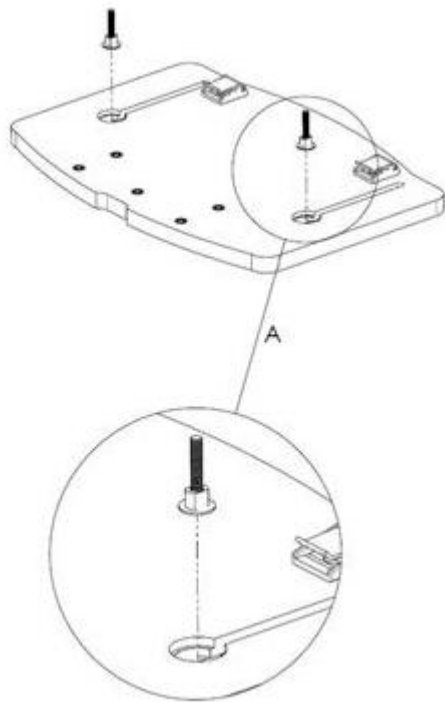
- Insert tie bar (B) into the frame side (A) through the hole ensuring a M8 washer (H) is fitted.
- Fix together by inserting the M6 x 30 bolt (G) through the hole in frame side (A) and into the end of the tie bar (B).
- Repeat this process for the second tie bar.
- Repeat the above steps for the second frame side, to complete the seat frame assembly.



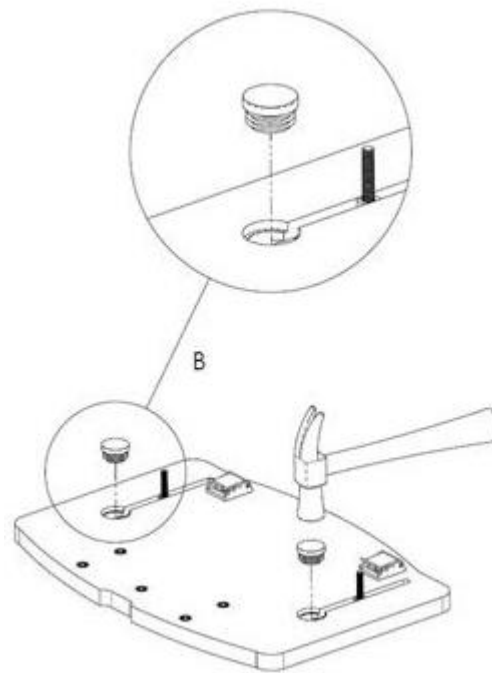


STOP!

Ensure all screws are **TIGHTENED** on the Seat Frame before continuing assembly



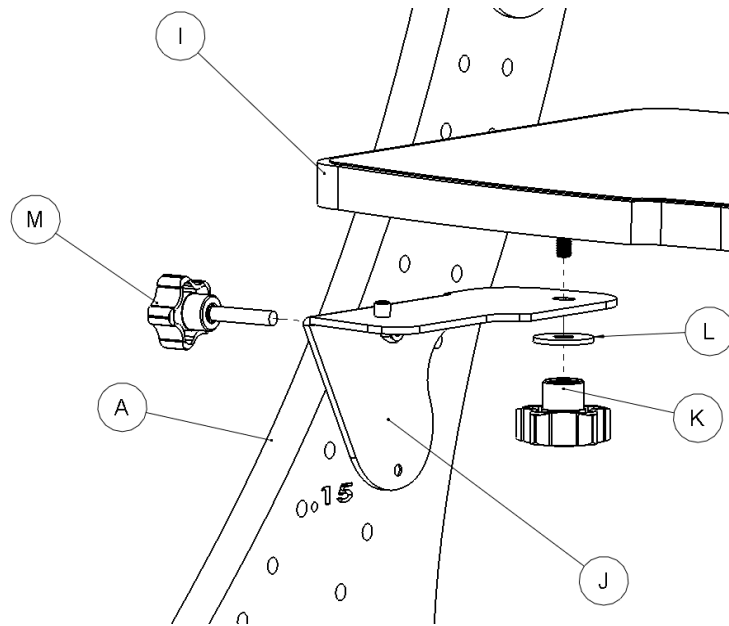
SEAT PREPARATION



FOOT BOARD PREPARATION



7.2 SEAT BOARD/PADDED SEAT (PLUS)/CONTOURED SEAT (ACCESSORY)



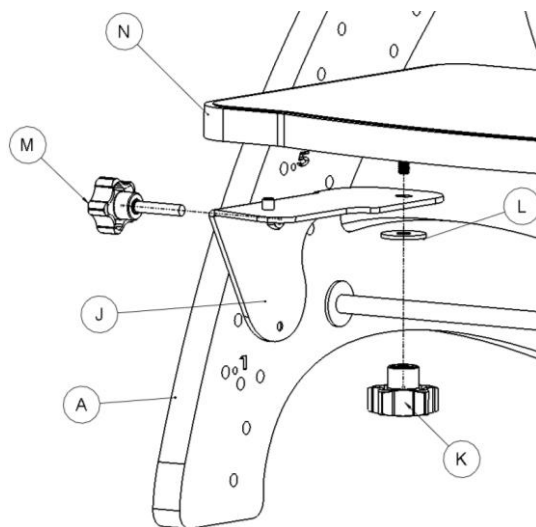
- Take a support bracket (J) and insert into frame side (A) at the appropriate height for the seat board to suit your client's needs. Secure the bracket (J) in place using a male hand wheel (M) fed through from the opposite side for the frame side (A). This hand wheel (M) will locate into the welded nut on the bracket (J).
- Repeat this step by taking a second support bracket (J) and inserting at the same height on the second frame side.
- Carefully place and rest the seat board (I) on top of the support brackets – the threaded bolt on the underside of the seat board fits through the hole in support bracket (J).
- Fit a female hand wheel (K) and washer (L) – do not tighten at this time.
- Repeat this step by fitting the second hand wheel into the seat board using the second support bracket.
- Slide the seat board forward/back to achieve the desired seat depth before tightening the hand wheels to secure in place.
- To adjust the seat board height to suit child growth, simply reposition the support brackets (J) as necessary.



ZOOMI/ZOOMI +



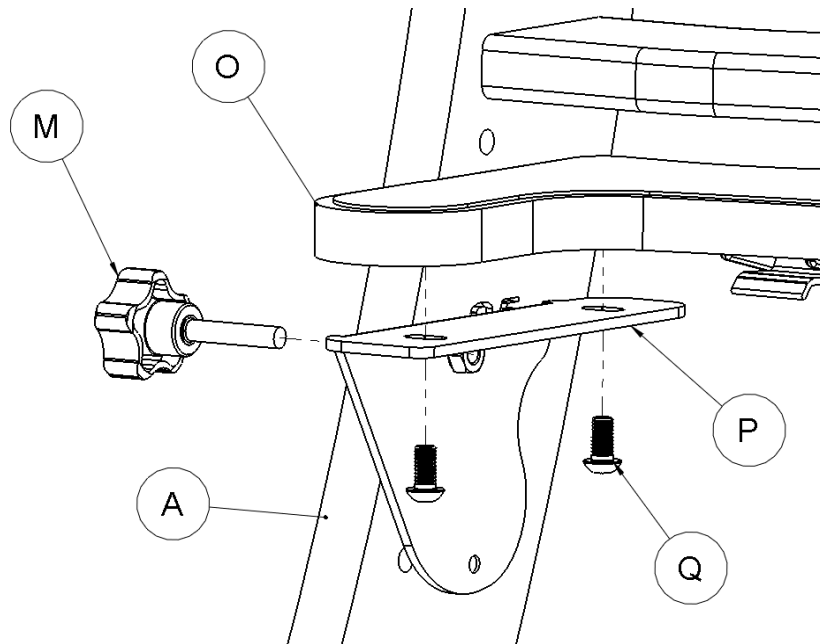
7.3 FOOT BOARD/SLOTTED FOOT BOARD (PLUS)/TRANSFER STEP (ACCESSORY)



- Take a support bracket (J) and insert into frame side (A) at the appropriate height for the foot board to suit your client's needs. Secure the bracket (J) in place using a male hand wheel (M) fed through from the opposite side for the frame side (A). This hand wheel (M) will locate into the welded nut on the bracket (J).
 - *Note: If the board is to be positioned in the 2nd or 3rd positioning holes and is to be used with the mobile skis (see section 7.10), then the brackets (J) will be secured to the sides (A) using 2 M6 x 25 button head bolts. These bolts are a replacement for the male handwheels (M) and are threaded through the nut on the bracket (J) before being threaded into the necessary inserts on the frame sides (A).*
- Repeat this step by taking a second support bracket (J) and inserting at the same height on the second frame side.
- Carefully place and rest the foot board (N) on top of the support brackets - the threaded bolt on the underside of the seat board fits through the hole in support bracket (J).
- Fit a hand wheel (K) and washer (L) – do not tighten at this time.
- Repeat this step by fitting the second hand wheel into the foot board using the second support bracket.
- Slide the foot board forward/back to achieve the desired foot board depth before tightening the hand wheels to secure in place.
- To adjust the foot board height to suit growth, simply reposition the support brackets (J) as necessary.



7.4 BACK REST FRAME/ARM RESTS (PLUS)



- Take a support bracket (P) and insert into frame side (A) at the appropriate height for the back rest to suit your client's needs. Secure the bracket (P) in place using a male hand wheel (M) fed through from the opposite side for the frame side (A). This hand wheel (M) will locate into the welded nut on the bracket (P).
- Repeat this step by taking a second support bracket (P) and inserting at the same height on the second frame side.

Note: Support brackets (O) are different from those used as support brackets on the foot board and seat board (J).

- Carefully place and rest the back rest frame (O) on top of the support brackets (P).
- Secure the back rest frame (O) to the brackets (P) by inserting and tightening 4 x M6 x 16 flat screws (Q), using the hex key provided.
 - Note: 2 x M6 x 16 flat screws used per side.



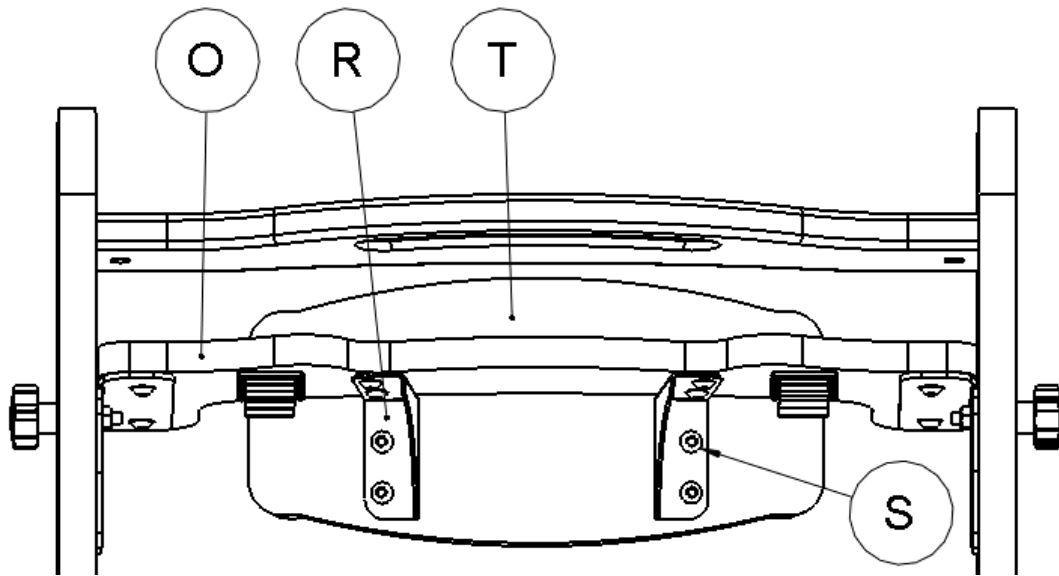
ZOOMI



ZOOMI +



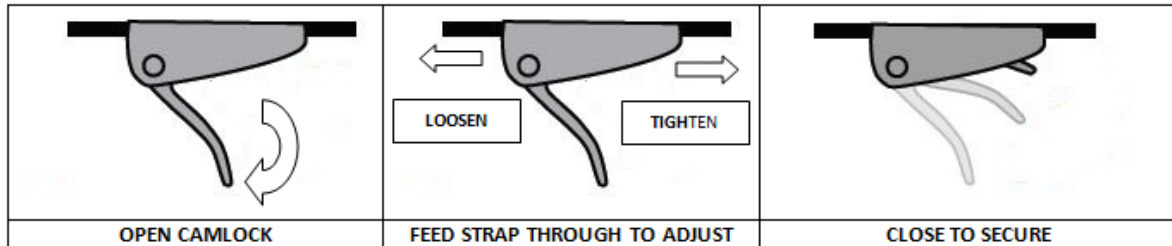
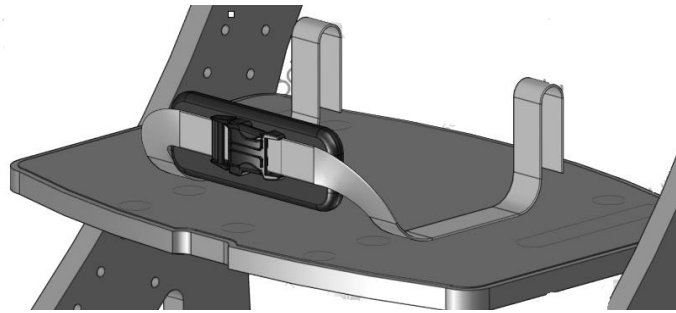
7.5 BACK REST/HIGH BACK REST (ACCESSORY)



- Take a support bracket (R) and fix onto back rest frame (O) using 2 x M6 x 12 button head screws (S) as shown above – a hex key is provided.
- Repeat this step to secure a second support bracket (R) onto the back rest frame (O).
- Now offer up the back rest wood (T) and secure onto bracket (S) using 4 x M6 x 12 button head screws (S).



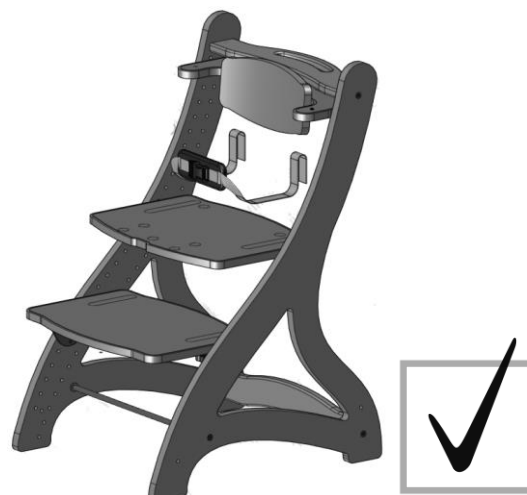
7.6 PELVIC LAP STRAP



A padded pelvic lap strap is provided for your client's safety.

7.6.1 PELVIC LAP STRAP BUCKLE OPERATION

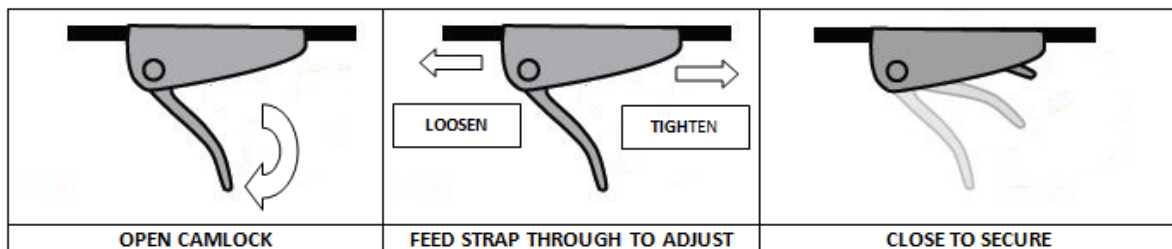
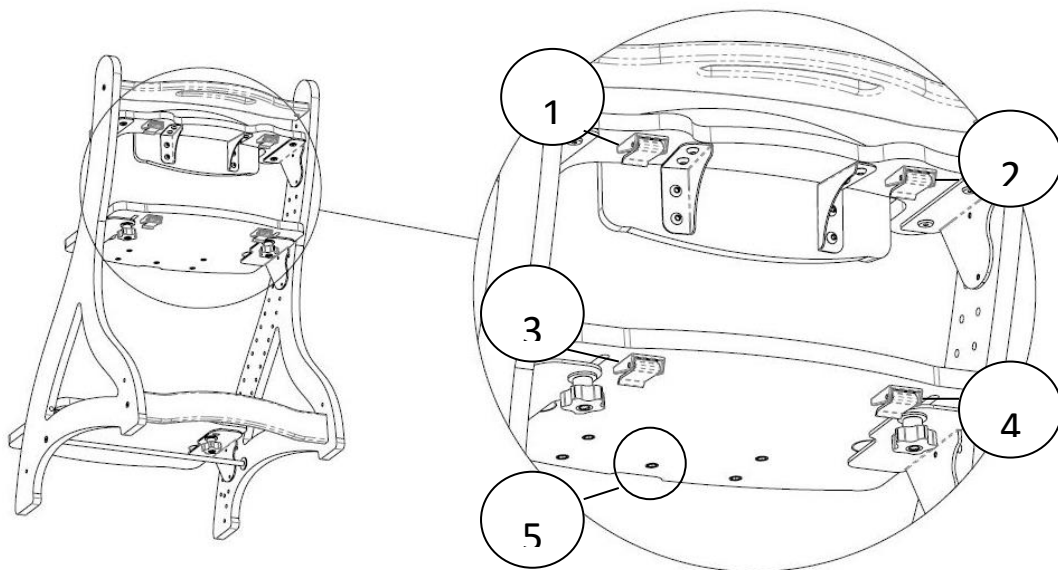
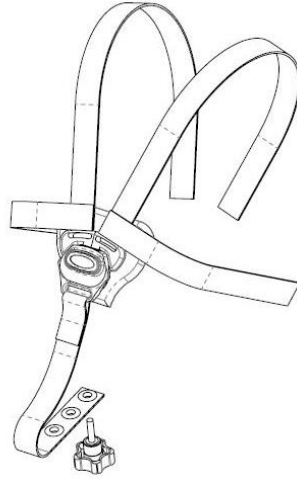
- Press areas (U) to unlock the buckle and pull the two buckle parts apart.
- To fasten simply reconnect the two parts – the buckle will 'click' and lock.



7.7 FIVE POINT HARNESS (PLUS/ACCESSORY)

The ZOOMI PLUS is supplied with a 5-point buckle release harness. To fit the harness, following these steps:

- Feed the 4 straps through cam locks (1,2,3 & 4 below).
- Insert the hand wheel through a strap eyelet and into seat board (5, below) using the attached hand wheel.

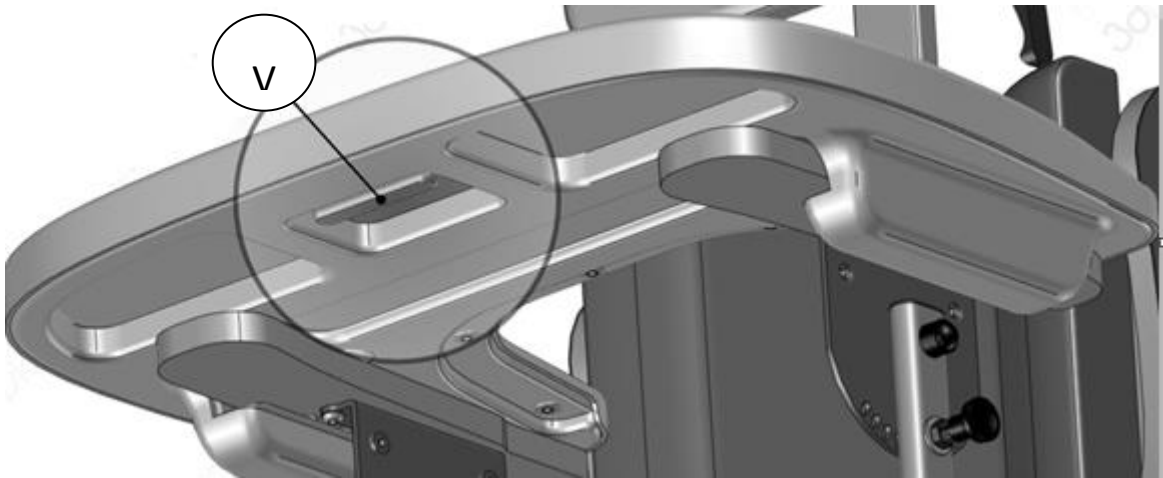


7.8 QUICK RELEASE TRAY (PLUS/ACCESSORY)

The ZOOMI PLUS is provided with a white quick release tray.

7.8.1 TRAY FITMENT/RELEASE

- Slide the tray onto the armrests, to the desired position – the tray will automatically lock into position.
- Check the tray is locked into position by pulling towards you.
 - *Ensure the protective film on the tray is removed before use.*
- To release the tray, simply locate and pull the handle on the underside of the tray (V).



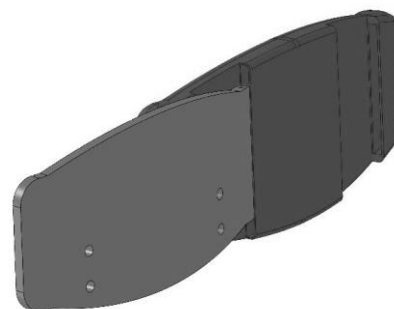
Note: Tray shown fitted to alternative product



7.9 PADDED BACK REST (PLUS/ACCESSORY)

The ZOOMI PLUS is supplied with a padded cushion for the backrest.

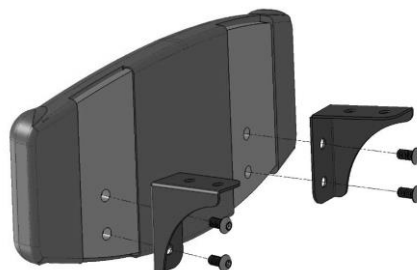
- Slide the back rest wood through the elasticated center strap on the padded cushion (see right).



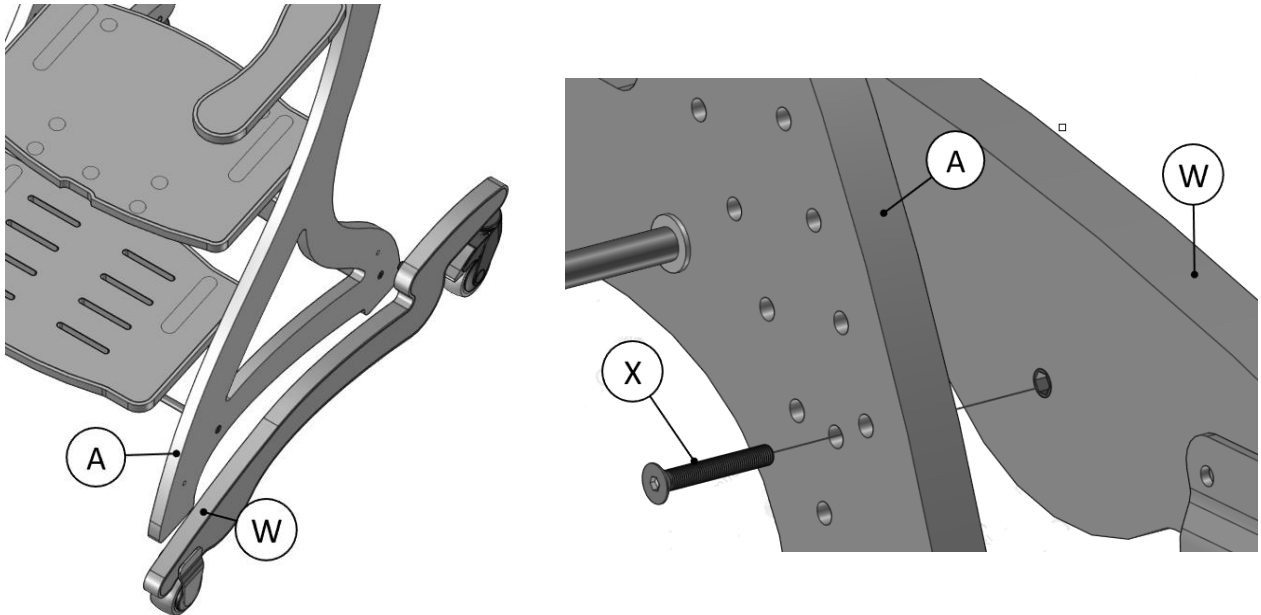
- Stretch the edges of the padded cushion over each end of the back rest wood (see right).



- Fix the back rest brackets to the back rest wood (see right) and attach to the seat frame.



7.10 MOBILE SKIS (PLUS/ACCESSORY)



- The ZOOMI PLUS is provided with a set of mobile skis, which are fitted to the outside face of the seat frame (A).
- Align the first ski (W) to the side of the seat frame (A) – ensure the ski is orientated correctly, with the braked caster at the rear, as shown.
- Take a M6 x 40 screw (X) and feed through the seat frame (A) and secure into ski (W) using the hex key provided.
- Repeat step for fixing screw at rear of ski.
- Repeat the above to fix the second ski to the opposite side of the seat frame.



8.0 CARE AND MAINTENANCE



IMPORTANT!

CLEANING IS RECOMMENDED ON A REGULAR BASIS

- Clean wooden and metal parts with a damp cloth and mild detergent.
- Stubborn marks on the woodwork should be cleaned using a soft brush.
- Do not soak or immerse the product in water.
- Store the product in a cool dry place and out of direct sunlight.
- DO NOT use bleach, solvents, abrasives, synthetic detergents, wax polishes, antibacterial sprays or wipes.
- For further information, please refer to your regional healthcare cleaning guidelines.

8.1 DAILY CHECKS

- Check for signs of wear, tear or damage.
- Check for missing parts.
- Check that all screws and hand wheels are present and tightened correctly, and are not cross-threaded or damaged.
- Check all straps for fraying, and that buckles are not missing/damaged.

8.2 ANNUAL SERVICE

The ZOOMI Seating System should be serviced every 3 years. Servicing must only be undertaken by a Smirthwaite service engineer, or by a Smirthwaite trained representative.

8.3 NOMINAL SERVICE LIFE

Your product has a nominal service life of 12 years, during which full post-sales support will be available with regard to spares and servicing.

Product service life has been determined based upon the design complexity of product, and the anticipated exposure to normal use.

Good practice dictates all Smirthwaite products have been designed and manufactured to high levels of safety and quality, and will meet requirements of normal use when maintained in line with our servicing recommendations.





STOP!

If the product has been out of use for an extended period of time (6 months or more) it should always be serviced prior to being re-issued.

If the product has been subjected to 'heavy' or 'constant' use, the service should be reduced to half the recommended period.

Constant and/or heavy use is considered to be:

Daily use above 7 hours duration

Weekly use above 5 days duration

Monthly use above 10 months per year

Use by a client who is at 90% to 100% of the maximum weight limit of the product. The maximum weight limit must NEVER be exceeded

Use by a client who is extremely active, either voluntarily or involuntarily

8.4 EXTENDING NOMINAL SERVICE LIFE

At Smirthwaite we are proud to produce products that have a reputation for quality and durability.

We believe our products have the potential to provide benefits to our clients beyond the nominal service life documented above.

We will continue to provide full support beyond the nominal service life provided the following conditions are met:

A full service schedule has been maintained.

A full service and inspection is undertaken at the end of the nominal service life period.

The product is subsequently serviced annually (or biannually if under 'heavy/constant' use conditions).

Smirthwaite reserves the right to limit support where parts/components are no longer available.



8.5 DOCUMENTATION/RECORDS

It is the responsibility of the current equipment owner to ensure the 'Instructions for Use' manual and any further manuals for accessories fitted to the equipment are handed over to the new owner at the time of exchange/sale.

It is the responsibility of the current equipment owner to ensure the service and inspection record form is kept up to date.

8.6 PRODUCT CONFIGURATION

Smirthwaite will document and maintain a record of the original product configuration at the time of first sale.

Smirthwaite will not be held responsible for any subsequent changes to this configuration unless authorized to do so in writing by Smirthwaite.

It is the equipment owner's responsibility to maintain their own records of changes to the equipment configuration and to be able to provide such records to subsequent owners to maintain traceability.

We recommend an inspection/service by a Smirthwaite service engineer (or Smirthwaite trained engineer) whenever a significant change is made to product configuration to ensure the product is safe to use. If in any doubt, ALWAYS seek ADVICE.



IMPORTANT REMINDER!

DO NOT fit parts or accessories of other manufacturers to this product unless authorized to do so in writing by Smirthwaite

Any servicing or repairs required must be carried out by Smirthwaite (or a Smirthwaite trained engineer).

If you believe this product to be faulty – DO NOT USE

Contact: Smirthwaite Ltd

T: +44 (0)1626 835552

F: +44 (0)1626 835428

E: info@smirthwaite.co.uk

If in any doubt, ALWAYS seek ADVICE.



9.0 WARRANTY & SERVICE

G & S Smirthwaite Ltd warrants the products detailed on your order to be free from defects in materials and workmanship for a period of 2 years from date of delivery. If a fault develops during the period, please call Customer Services by email or telephone 01626 835552 who will advise you on the best course of action. Possible action may be for us to arrange to send out one of our Service Engineers, or have the goods returned to us. Should a repair not be possible within the guarantee period we will replace the product for new or nearest equivalent product. In the unlikely event that we cannot repair or exchange we will refund in full.

This warranty is for the UK only. The warranty excludes faults due to accident, neglect, misuse, not following the Instructions and normal wear and tear. This warranty is in addition to your legal rights. Goods will only be collected from the original delivery address.

A charge may be made where the goods cannot be repaired under the terms of the warranty. You will be advised before this is made.

T: +44 (0)1626 835552 E: info@smirthwaite.co.uk

10.0 CONTINUOUS IMPROVEMENT

Smirthwaite are committed to continuous improvement to their product range. Should you have any suggestions or comments please contact our product design department, using info@smirthwaite.co.uk

Smirthwaite reserves the right to change the specification or material without prior notice.

For catalogues, help and further information on our products please contact us at:

Smirthwaite Ltd

17 Wentworth Road

Heathfield Industrial Estate

Newton Abbot

Devon

TQ12 6TL

T: +44 (0)1626 835552

F: +44 (0)1626 835428

E: info@smirthwaite.co.uk



11.0 SERVICE INSPECTION

11.1 Product Information

Model:	
Size:	
Date of Manufacture:	
Serial Number:	
Final Inspection:	

11.2 Service & inspection record form:

Date	Procedure	Service Personnel



CE



G & S Smirthwaite, 17 Wentworth Road, Heathfield, Newton Abbot, Devon.TQ12 6TL
T: +44 (0) 1626 835552 F: +44 (0) 1626 835428 E: info@smirthwaite.co.uk www.smirthwaite.co.uk

