



CONTENTS

Contents

1.0	Safety Instructions and Warnings	4
1.1	Introduction	4
1.2	Service and Support	4
1.3	Symbols Used.....	5
1.4	Contraindications/Limitations.....	5
1.5	Intended Use.....	6
1.5.1	Intended User	6
1.6	Chair Operating Environment	6
1.6.1	Frequency of use:	6
1.7	Vicinity to Other Equipment	7
1.8	Incident Reporting.....	7
1.9	Additional Warnings and Safety Notices	7
2.0	Components/Key Parts.....	8
2.1	Key Parts	8
2.2	Juni Configurations	8
2.3	Packaging	9
3.0	Installation.....	10
3.1	Adjustments.....	10
3.1.1	Seat Depth.....	10
3.1.2	Seat Height.....	11
3.1.3	Armrest Height.....	11
3.1.4	Seat Width.....	11
3.1.5	Back Recline	12
3.1.6	Back Lumbar Prompt.....	12
3.1.7	Tray Accessory	12
3.1.8	Pelvic Lap Strap.....	13
3.1.9	Replacement Straps.....	13
3.1.10	Velcro Strap	14
4.0	Compatible Accessories.....	15
4.1	Pommel.....	16
4.2	Removable Ski	16
4.3	Mobile Base, Retractable Footboard and Height Adjustable Handle	17
4.4	Four Point Harness Accessory	18
4.5	Footboard Raisers.....	18
4.6	Juni Booster.....	19
4.6.1	Adjustments	20
4.6.2	Attaching Juni to Booster.....	20

CONTENTS

4.7	Five Point Harness	21
4.8	Juni Hi-Lo	22
4.9	Adjustable Footrest	26
4.10	Extended Backrest	28
4.11	Headrest Attachment	30
4.12	Juni Laterals.....	32
4.13	Sacral Pad	35
5.0	Technical Specification.....	37
5.1	Chair Dimensions.....	37
5.2	Environmental - Storage and Operating Conditions	38
5.2.1	Normal operating conditions.....	38
5.2.2	Shipping and storage conditions	38
5.3	Standards Applied	39
5.4	Disposal.....	39
6.0	General Inspection and Maintenance.....	40
6.1	Daily Checks - To Be Completed By User	40
6.2	Service Interval	40
6.3	Nominal Service Life	40
6.4	Extending Nominal Service Life.....	41
6.5	User Serviceable Parts.....	41
6.6	Documentation/ Records	41
7.0	Cleaning.....	42
7.1.1	General cleaning	42
8.0	Final Inspection.....	42
9.0	Service Documentation.....	43
9.1	Documentation/ Records	43
9.2	Service Record History	44
9.2.1	Product Information	44
9.2.2	Service & inspection record form:	44
10.0	Warranty	45
11.0	Continuous improvement.....	45

1.0 SAFETY INSTRUCTIONS AND WARNINGS

1.1 Introduction

The information in this manual is important to your safety.



Please read and understand this manual in its entirety before using your Juni chair.

**If you require larger print or videos – these are available on the Smirthwaite website:
www.smirthwaite.co.uk/product/Juni-chair/**

The information in this manual is important for the safety of anyone near the Juni chair and must be read and understood to help prevent injuries. It is also crucial to the proper operation and maintenance of the Juni chair.

Store this manual with the documents included with the chair. The Juni chair is designed to be used in conjunction with approved accessories. Please refer to any user guides supplied with these components while reviewing this manual.

Contents of this manual are subject to change without prior notice.



Unauthorised modifications on any Smirthwaite product may affect its safety. The manufacturer will not be held responsible for any accident, incident or deficiencies of performance that occur as a result of any unauthorised modification to its products.

1.2 Service and Support

To ensure the safety and continued good function of your product, routine service must be performed on your Juni chair.

For further details, see section 6.0 General Inspection and Maintenance.

As well as inspections and simple checks completed by the user, every 3 years a service must be completed by Smirthwaite Ltd. authorised trained service staff.

















Contact your local authorised Smirthwaite dealer if you:

- Need more information.
- Have any questions about the use or maintenance of your Juni chair.
- Notice any change in the performance of your chair.
- Want to report an unexpected occurrence.
- Want to arrange a service.

Contact details of your local Smirthwaite dealer are shown on the last page of this manual.

SAFETY INSTRUCTIONS AND WARNINGS

1.3 Symbols Used

	Consult instructions before use		Caution
	Class II Equipment - electrical equipment in which protection against electric shock does not rely on basic insulation only	SWL	Safe Working Load represents the maximum load rated for safe operation
	Manufacturer		Date of manufacture
	Packaging indicator – This way up		Packaging indicator – Keep dry
	Serial number		For internal use only
	Please observe local laws on recycling	IP_{N₁N₂}	Degree of protection provided by enclosure. N ₁ : Ingress of particles N ₂ : Ingress of water
	Temperature range		Humidity range
	Type 'B' applied part		Type 'BF' applied part
	Medical Device		Authorised representative in the European Community

1.4 Contraindications/Limitations

There are no known “contraindications” associated with the usage of the Juni chair and its accessories, provided they are used as per manufacturer’s recommendations and guidelines.

Smirthwaite Ltd. does not recommend a required number of care givers for the use of our products. This information and recommendation can only be provided after a thorough

SAFETY INSTRUCTIONS AND WARNINGS

personalized, case specific assessment, as there are many factors that can influence these decisions.

1.5 Intended Use



For internal use only.

Intended to provide postural support.

1.5.1 Intended User

The Juni has been designed for use by a child's carer, therapist, and/or teaching staff who will maintain and clean the chair as per the recommended guidelines in section '6.7 Cleaning'. Under their care, they will be responsible for helping the child in and out of the seat and their safety when sitting in the Juni.



The Juni is designed to be checked and adjusted by a therapist to ensure the child is seated correctly.

1.6 Chair Operating Environment

The Juni chair is suitable for use within the professional health care facility environment as well as the home health care environment.

The chair is not intended to be used in environments where there are rapid changes in the environmental temperature and humidity during intended use.

Based on research conducted during the concept stage, the following statements apply. See Usability Technical File.

The Juni is intended for indoor use only, the normal operating conditions are as follows:

- A. Temperature: 41°F to 86°F (+5°C to 40°C)
- B. Relative Humidity: 15 to 90%, non-condensing, but not requiring a water vapour pressure greater than 50hPa.
- C. Atmospheric Pressure: 700hPa to 1060hPa.
- D. Ambient luminance 50 – 500 lux.
- E. Viewing distance: 0 metre to 1.5 metre

1.6.1 Frequency of use:

The Juni can be used without any frequency restrictions.

1.7 Vicinity to Other Equipment

Use of this equipment stacked with other equipment should be avoided, unless the equipment is an approved accessory.

Contact your local authorised dealer if assistance is required – contact details on the last page of this manual.

1.8 Incident Reporting

If, during the use of this device or as a result of its use a serious incident has occurred, please report it to the manufacturer and the competent authority of the member state in which the user and/or patient is established.

1.9 Additional Warnings and Safety Notices

- The user should NOT be left unattended whilst in the chair. Always ensure a responsible therapist or carer is in attendance.
- If you believe the chair or any fitted accessory to be faulty at any time, **DO NOT USE** – contact Smirthwaite Ltd. by telephone on +44 (0)1626 835552
- The therapist should be familiar with the methods of adjustment and have completed all adjustments appropriately to meet the needs of the child before transferring the child onto the chair.
- The chair is **ONLY** to be used indoors on a flat level surface.
- Do not exceed user maximum weight limits. Refer to section 1.5 Intended Use.
- Always fasten the pelvic strap and any other straps provided with the chair.
- Regular maintenance checks and cleaning are essential for the safe use of this equipment. Refer to section 7 'General Inspection and Maintenance'.
- Always keep this product away from naked flames, cigarettes and sources of heat including open fireplaces, radiators, heaters.
- **DO NOT** fit parts or accessories of other manufacturers to this product unless authorised to do so in writing by Smirthwaite Ltd. Failure to follow these instructions will not only invalidate the guarantee but could make the chair dangerous to use.
- Smirthwaite Ltd will not accept liability for any injury or damage incurred through such malpractices. Any repairs required must be carried out by Smirthwaite Ltd authorised personnel.
- Lap straps and harnesses must be appropriate and safe for the user and the users clothing. Lap straps and harnesses must be checked every time the chair is used to ensure they are fitted as prescribed by the clinician, take account of the users clothing and are tightened so that the user cannot sustain injury. Checking the fit of lap straps and harnesses must be done with the user in the chair and should be undertaken as soon as the users sits in the chair.

2.0 COMPONENTS/KEY PARTS

2.1 Key Parts

When delivered, the chair will be supplied fully assembled except for the attachment of any special accessories ordered. Export orders may require the chair to be fully assembled, which takes approximately 2 minutes. If in any doubt, always seek advice. Always turn hand wheels, levers and screws clockwise to tighten or anti-clockwise to loosen. Conveniently packaged in a single box (Figure 1) the following components are included with your new Juni chair (*Table 1 and Figure 1*):

Item	Description
1	Contoured Seat
2	Backrest
3	Armrest
4	Leg Outrigger
5	Pelvic Lap Strap

Table 1



Figure 1

Please see above to familiarise yourself with the components of the Juni chair. The image above shows the key components of the Juni chair. If you have not received all the components contact your local Smirthwaite dealer immediately – contact details are provided on the last page of this manual.

If your order has been supplied as a custom kit, please ensure you follow both the instructions documented in this document and any additional instructions supplied. Please take note of any instructions on the packaging/box when unpacking. Once the chair has been carefully unpacked, please check all parts.

2.2 Juni Configurations

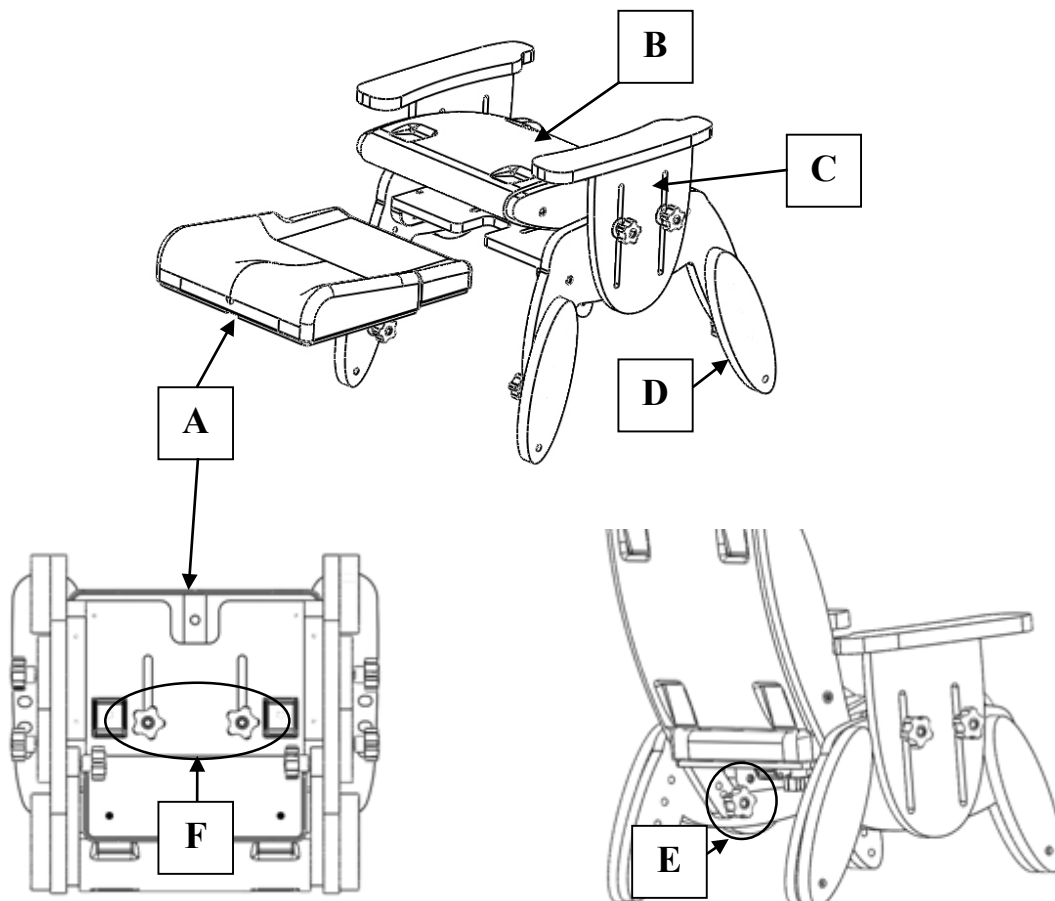
Smirthwaite Ltd. will document and maintain a record of the original product configuration at the time of first sale. Smirthwaite Ltd. will not be held responsible for any subsequent changes to this configuration unless authorized to do so in writing by Smirthwaite Ltd.

It is the equipment owner’s responsibility to maintain their own records of changes to the equipment configuration and to be able to provide such records to subsequent owners to maintain traceability.

We recommend an inspection/service by a Smirthwaite Ltd. Service Engineer (or Smirthwaite Ltd. trained engineer) whenever a significant change is made to product configuration to ensure the product is safe to use. If in any doubt, ALWAYS seek ADVICE.

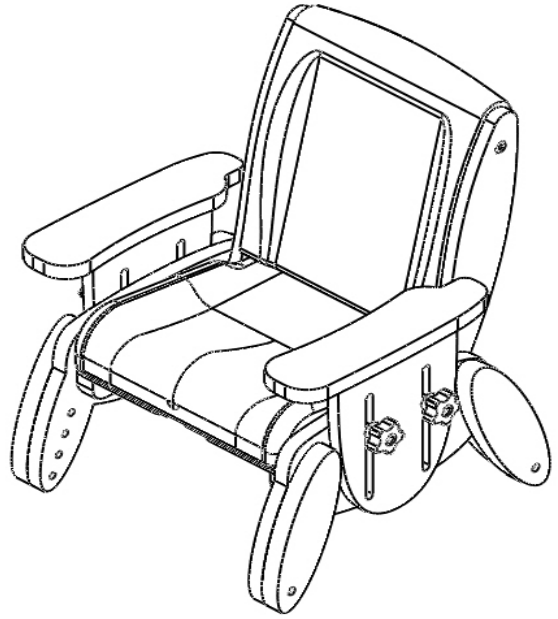
2.3 Packaging

- The Juni chair is supplied either fully assembled or in part assembled form, for the customer to undertake final assembly – see guide below. For a detailed guide refer to Section 5.
- A part assembled Juni is supplied with the seat cushion (A) removed and the back cushion fully rotated forward (B). The back cushion is held secure for transport by setting each armrest (C) in a low position once the back cushion has been rotated forward. Leg outriggers (D) are set to minimum height as standard.
- No tools are required to finalize assembly, simply use the handwheels and washers provided.
- Firstly, loosen the handwheels securing each armrest, and raise them to permit the back cushion to be rotated to vertical or slight rearward recline. Insert a handwheel and washer (E) in each chair side.
- Offer up the seat cushion (A) to the Juni chair and secure using two handwheels and washers (F) on the underside of the chair



3.0 INSTALLATION

When delivered, the chair will be supplied fully assembled except for the attachment of any special accessories ordered. Export orders may require the chair to be fully assembled, which takes approximately 2 minutes. If in any doubt, always seek advice. Always turn hand wheels, levers and screws clockwise to tighten or anti-clockwise to loosen.



3.1 Adjustments

3.1.1 Seat Depth

To move seat forwards or backwards

- Loosen handwheels (*Ref. C and D of Figure 2*)
- Slide seat to desired position.
- Tighten handwheels (*Ref. 6 of Figure 2*) when the seat depth is set to the desired position.

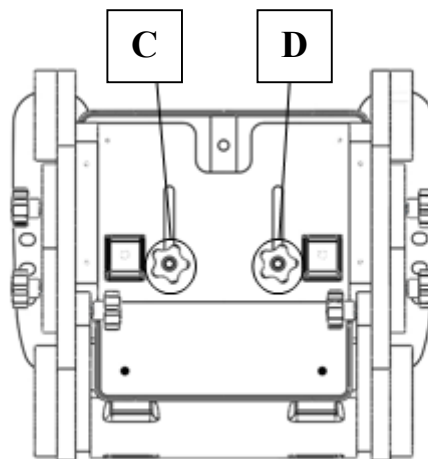


Figure 2

INSTALLATION

3.1.2 Seat Height

- Your Juni chair is fitted with four outrigger legs (*Ref. A of Figure 3*), permitting seat height adjustment
- To adjust, firstly lay the chair on its back
- For each outrigger, identify and remove the securing screw (M6 x 30) (*Ref. B of Figure 3*) to permit outrigger removal
- Position each outrigger leg to the desired height
- Insert and tighten each securing screw to affix leg outrigger in place
- Ensure all 4 legs are set to the same height

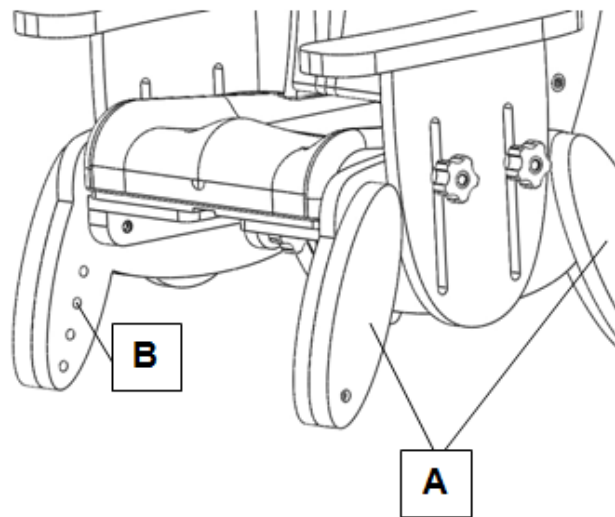


Figure 3

3.1.3 Armrest Height

To adjust the height of the armrest

- Loosen handwheels (*Ref. G & H of Figure 4*).
- Slide armrest to desired position.
- Tighten handwheels (*Ref. G & H of Figure 4*) when the armrest is set.
- Repeat for both armrests – ensure armrests are set to the same height on both sides of the chair.
- Armrests can be lowered to minimum setting to facilitate side transfer of child into the seat.

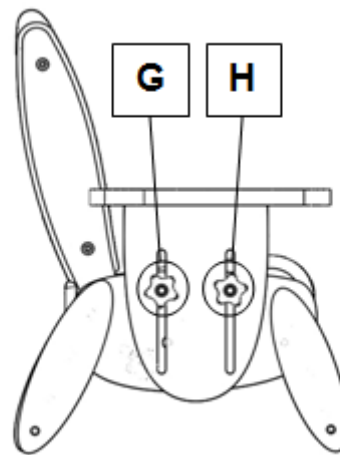


Figure 4

3.1.4 Seat Width

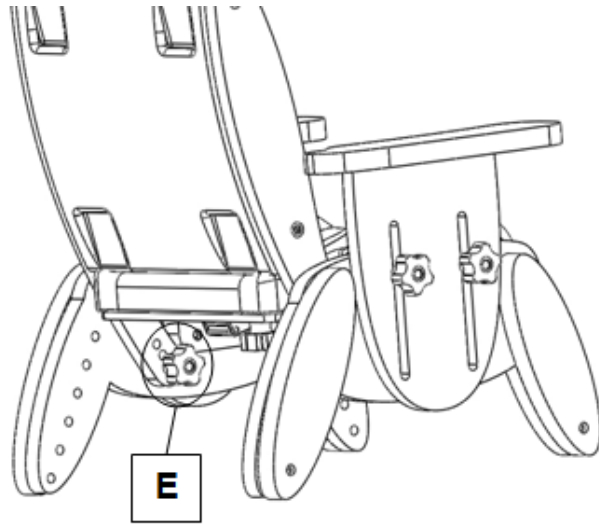
To reduce seat width or to provide additional support

- 25mm and 50mm width trunk support cushions can be supplied.
- Cushions are secured to the inside face of the arm rest wood, using the Velcro strips provided.

INSTALLATION

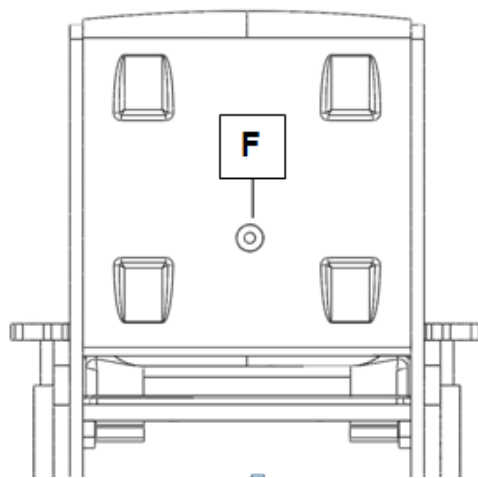
3.1.5 Back Recline

- Locate and remove the two handwheels securing the seat back recline angle (E)
- The Juni seat back can be reclined in steps of 5° from 95° through to 105°.
- When the desired back recline angle has been achieved, simply insert and tighten the two handwheels (E).



3.1.6 Back Lumbar Prompt

- To adjust the lumbar prompt, insert the hex head tool (as supplied) into rear of the Juni seat back (F), and rotate to achieve the desired amount of prompt.



3.1.7 Tray Accessory

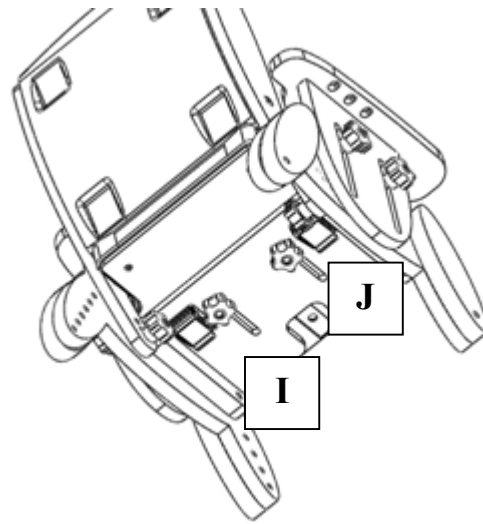
- Check armrests are set to the same height, and are securely tightened
- Slide the tray onto the armrests, to the desired position – the tray will automatically lock into position
- To remove tray, pull the quick release lever on the underside of the tray, and pull the tray forward
- Ensure the protective film on the tray is removed before use



Figure 5

3.1.8 Pelvic Lap Strap

- The pelvic strap is secured to the seat by two cam-lock mechanisms, located under the seat base (I, J)
- To adjust the strap for growth, simply lift each cam-lock to release, adjust the strap appropriately and then close each cam-lock.



Buckle Strap (Standard)

- The buckle is secured by pushing (Ref. 10 of Figure 6) into (Ref. 11 of Figure 6).
- To release the buckle, press both sides of (Ref. 10 of Figure 6).
- The strap length can be altered by adjusting the tri-glide (as shown opposite)

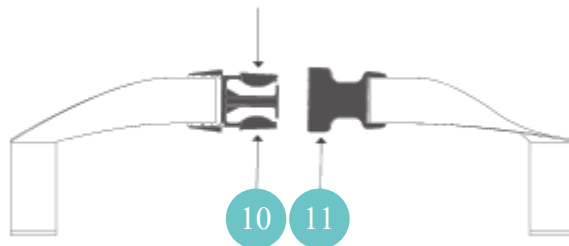


Figure 6

3.1.9 Replacement Straps

- To replace the straps, pull the straps off the popper fasteners, located on the underside of the chair (Ref. 12 of Figure 7).

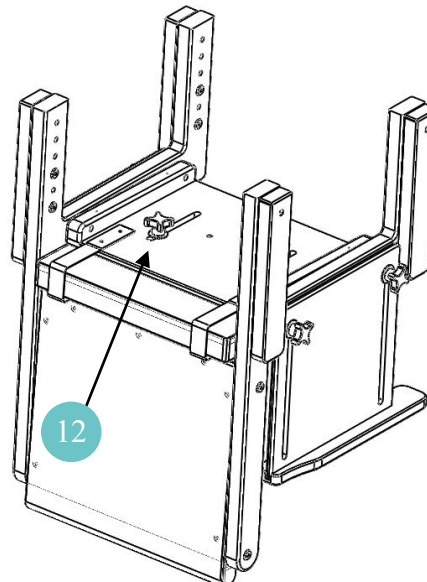
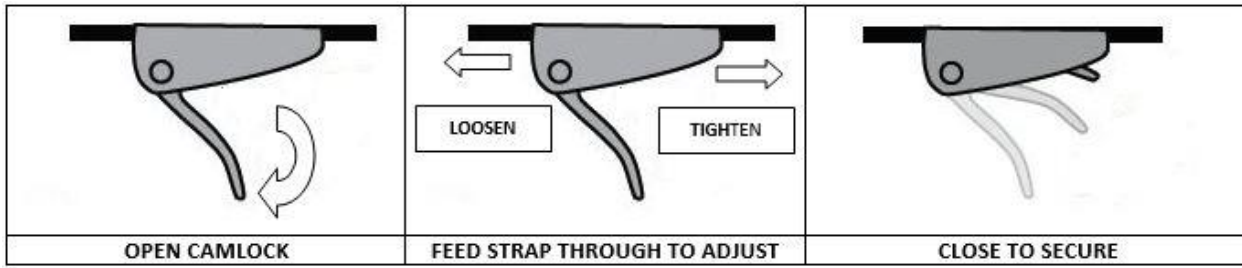


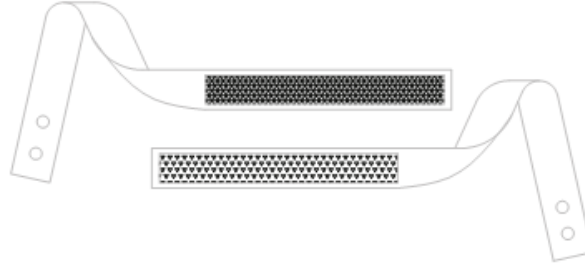
Figure 7

INSTALLATION



3.1.10 Velcro Strap

- The strap is secured by pressing the two Velcro sections together and is released by pulling the sections apart.
- When Velcro straps are used, the Velcro should overlap by at least 75mm (3 inches)



4.0 COMPATIBLE ACCESSORIES

The Juni chair comes with a variety of compatible accessories. These accessories and part codes are listed below (Table 3);

Accessories	Size 1 Code	Size 2 Code	Size 3 Code	Size 4 Code
Juni adjustable & foldable table red top	2411	2412		
Juni adjustable & foldable table lime top	2421	2422		
Juni adjustable & foldable table blue top	2431	2432		
Juni adjustable & foldable table natural top	2441	2442		
Juni adjustable & foldable table black top	2451	2452		
Juni hi booster red	JB112	JB122		
Juni hi booster lime	JB212	JB222		
Juni hi booster blue	JB312	JB322		
Juni hi booster natural	JB412	JB422		
Juni hi booster black	JB512	JB522		
Juni lo booster red	JB111	JB121		
Juni lo booster lime	JB211	JB221		
Juni lo booster blue	JB311	JB321		
Juni lo booster natural	JB411	JB421		
Juni lo booster black	JB511	JB521		
set of 4 castors for Juni boosters	JB001	JB001		
Juni hi lo base red footrest	HL111	HL112		
Juni hi lo base lime footrest	HL121	HL122		
Juni hi lo base blue footrest	HL131	HL132		
Juni hi lo base natural footrest	HL141	HL142		
Juni hi lo base black footrest	HL151	HL152		
skis	SK101	SK102	SK103	SK104
mobile skis	DL101	DL102	DL103	DL104
skis & footboard	SK111	SK112	SK113	SK114
sliding footrest (for use with mobile skis)	DL111	DL112	DL113	DL114
mobile dolly base	DL211	DL212	DL213	DL214
height adjustable push handle	PH101	PH102	PH103	PH104
quick release tray	TR101	TR102	TR103	TR104
Juni footrest	FR051	FR052	FR053	FR054
Juni extended outriggers	LG153	LG154	LG155	
kick back outriggers	LG156	LG157	LG158	LG159
25mm side support cushions - red	CS511	CS511	CS512	CS512
25mm side support cushions - lime	CS521	CS521	CS522	CS522
25mm side support cushions - blue	CS531	CS531	CS532	CS532
25mm side support cushions - black	CS541	CS541	CS542	CS542
50mm side support cushions - red	CS611	CS611	CS612	CS612
50mm side support cushions - lime	CS621	CS621	CS622	CS622
50mm side support cushions - blue	CS631	CS631	CS632	CS632
50mm side support cushions - black	CS641	CS641	CS642	CS642
25mm + 25mm double cushions - red	JC001	JC001	JC004	JC004
25mm + 25mm double cushions - lime	JC002	JC002	JC005	JC005
25mm + 25mm double cushions - blue	JC003	JC003	JC006	JC006
25mm + 25mm double cushions - black	JC007	JC007	JC008	JC008
50mm + 25mm double cushions - red	JC051	JC051	JC054	JC054

COMPATIBLE ACCESSORIES

50mm + 25mm double cushions - lime	JC052	JC052	JC055	JC055
50mm + 25mm double cushions - blue	JC053	JC053	JC056	JC056
50mm + 25mm double cushions - black	JC057	JC057	JC058	JC058
pommel - red	PL111	PL111	PL111	PL112
pommel - lime	PL121	PL121	PL121	PL122
pommel - blue	PL131	PL131	PL131	PL132
pommel - black	PL141	PL141	PL141	PL142
4 point harness - red	HN211	HN212	HN213	HN214
4 point harness - lime	HN221	HN222	HN223	HN224
4 point harness - blue	HN231	HN232	HN233	HN234
4 point harness - black	HN251	HN252	HN253	HN254
backrest extension - red	JX101	JX102	JX103	JX104
backrest extension - lime	JX201	JX202	JX203	JX204
backrest extension - blue	JX301	JX302	JX303	JX304
backrest extension - black	JX401	JX402	JX403	JX404
headrest - multi adjustable size 1	HT035	HT035		
headrest - multi adjustable size 2			HT030	HT030
lateral wings size 1	JLW001	JLW001		
lateral wings size 2			JWL002	JWL002

Table 3

4.1 Pommel

- The Pommel accessory slides over the front of the seat cushion and is fixed to the Juni using the supplied hand wheel (Ref. 13 of Figure 8).
- The Pommel can remain in place when the seat depth is adjusted.

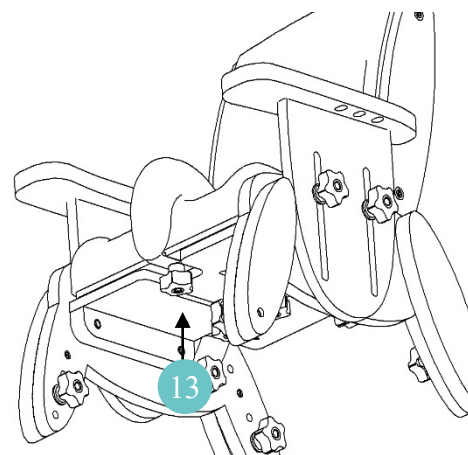


Figure 8

4.2 Removable Ski

- The static ski accessory is fixed to the Juni chair by 4 x M6 screws (Ref. 14 of Figure 9), which locate through each Juni chair outrigger.
- A slot is designed into the rear of each static ski, this facilitates ski fitment if height of chair is adjusted.
- Ensure the screws are tight at all times
- A variant of the Ski Accessory incorporating a footboard is available (Codes SK111 to SK114). Fitment is identical to the static ski.

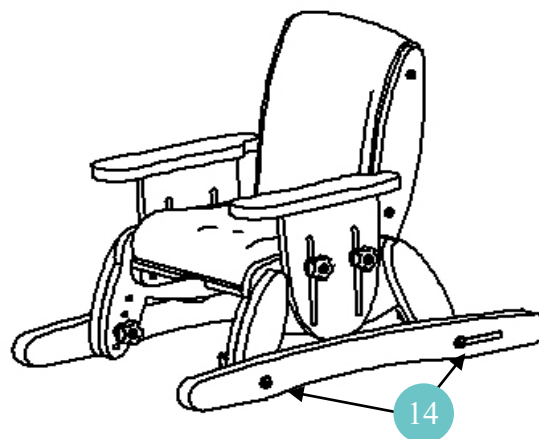
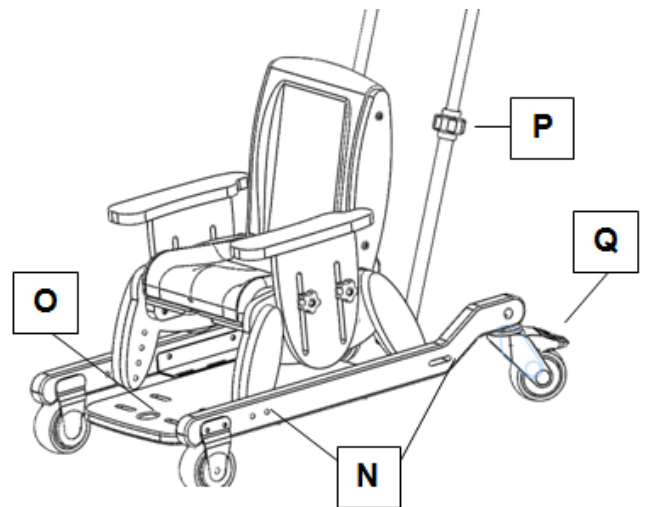


Figure 9

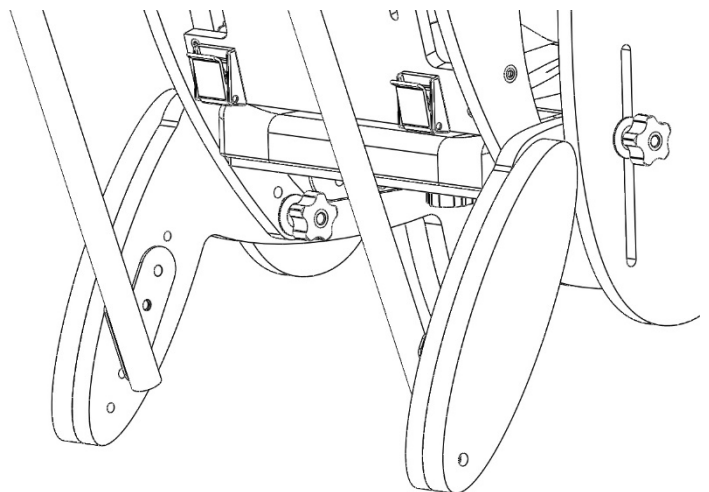
4.3 Mobile Base, Retractable Footboard and Height Adjustable Handle

- The mobile base accessory is fixed to the Juni chair by 4 x M6 screws (N), which locate through each Juni chair outrigger
- The rear castors can be locked by applying pressure to the foot lever (Q) An adjustable height handle accessory is available, with soft grip. The height can be adjusted by unlocking clamps (P), adjust to the desired height, and then retightening the clamps (P).



The Retractable footboard accessory permits easy transfer into the chair. To retract the footboard, simply press the Red button (O) and push the board rearwards

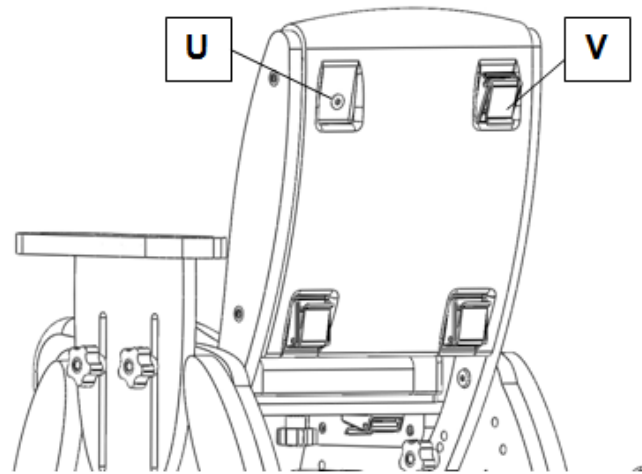
- The adjustable handle is secured to the inside face of the rear Juni legs.
- Remove the M6 screw (R) that fixes the outrigger (S) to the main leg assembly (T)
Offer up the handle bracket, and re-insert the M6 screw (R), securing both the bracket and outrigger back into place
- Repeat for the second rear leg



4.4 Four Point Harness Accessory

- A four-point harness is available as an accessory
- The rear of the Juni seat back has 4 recesses that are designed to locate fixing cam-locks for the four-point harness
- Take a sharp implement and pierce each recess where the 'dimple' is visible on the surface (U)
- Offer up a cam-lock and using an M6 screw, fasten the cam-lock to the seat
- Repeat for the 3 remaining cam-locks (V)

The 4-point harness can now be secured using the cam-locks.

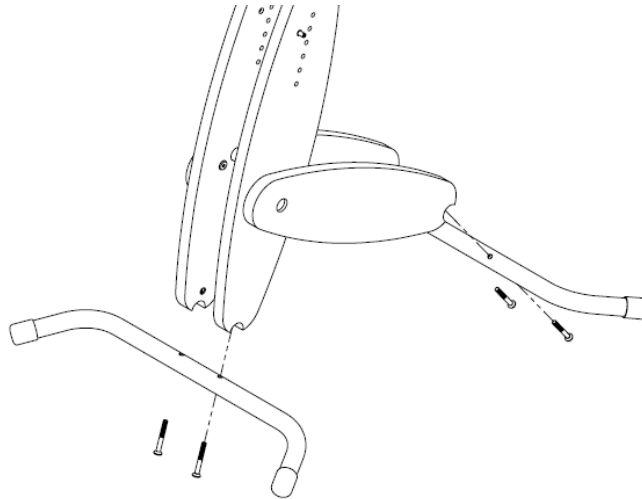


4.5 Footboard Raisers

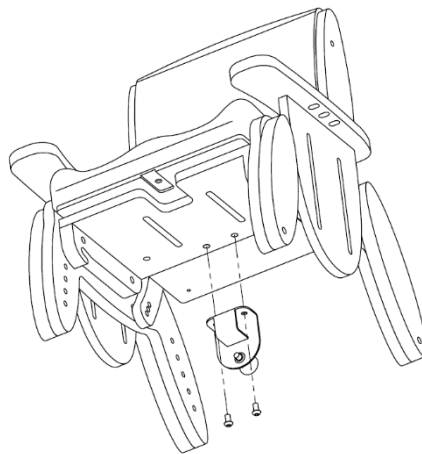
- Footboard raisers are available for both the retractable footboard (codes DL111 to DL114) and the ski with footboard accessory (SK111 to SK114)
- Raisers are available in 12mm (RA049 to RA052) and 24mm thickness (RA045 to RA048)
- The raisers simply screw to the footboards with the screws provided.
- Raisers can be stacked together to increase the total raiser height.

4.6 Juni Booster

- When delivered, the product will be supplied fully assembled except for the attachment of the front and rear metal legs.
- To complete the Booster assembly, simply offer up the metal legs to the Booster and insert 4 x M6x50 screws, as shown below.



- The seat bracket provided should be fixed to the rear underside of your Juni Chair as shown below by inserting 2 x M6x12 screws.
- Ensure all screws are tightened before use.



COMPATIBLE ACCESSORIES

4.6.1 Adjustments

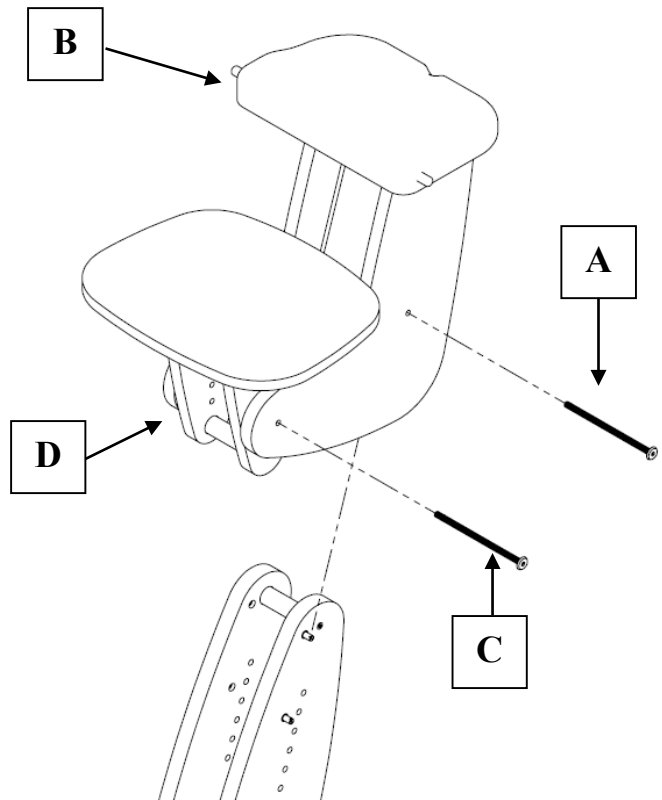
Two adjustments can be made to the Juni Booster; chair height and footplate height.

To raise or lower the Juni chair height when attached to the Booster:

- Remove screw (A) and slide the head assembly (B) to the desired height before re-inserting and tightening screw (A).

To raise or lower the footplate once attached to the Juni Booster:

- Remove screw (C) and slide the footplate assembly (D) to the desired height before re-inserting and tightening screw (C).



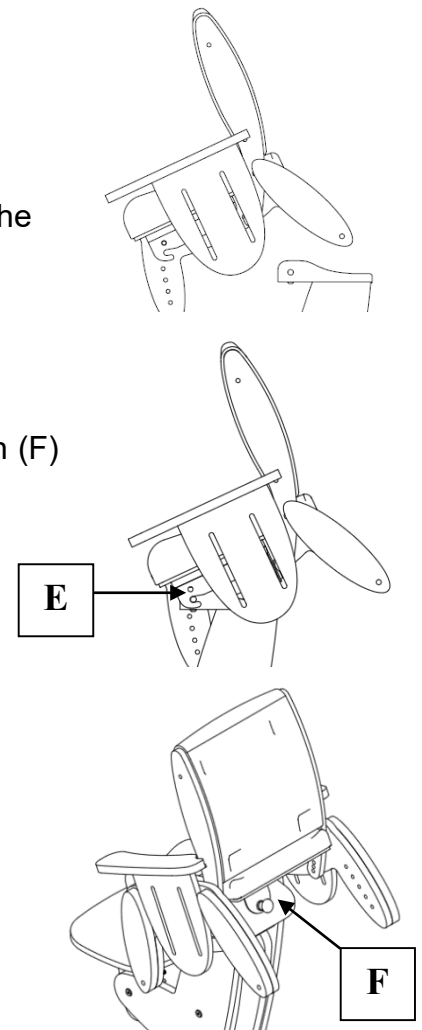
4.6.2 Attaching Juni to Booster

- Offer up the Juni chair to the seat interface plate as shown opposite.
- The chair seat batten should hook over two metal pins (E) on the seat interface plate (one each side).

Double check the metal pins are both engaged into the chair battens before proceeding further

- Rotate the chair to the horizontal, and ensure the safety catch (F) clicks/locks onto the Juni Booster seat interface plate.

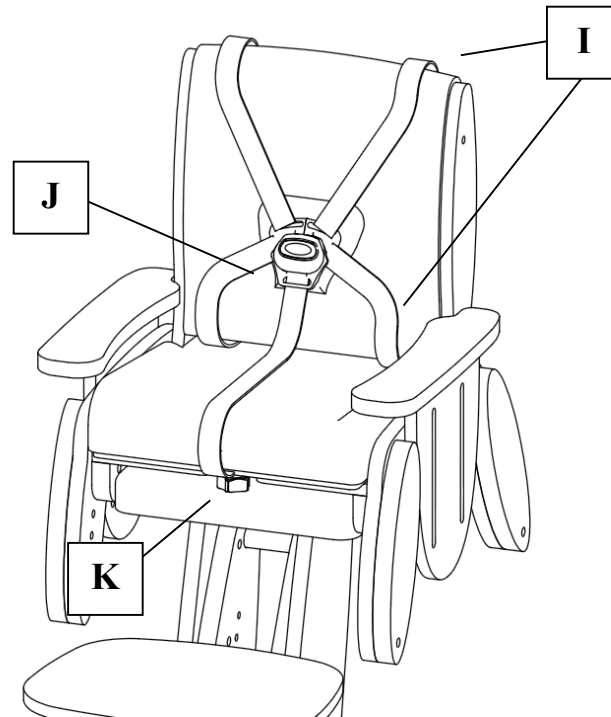
Double check engagement by trying to remove the chair; it should **NOT** be possible to remove the chair without firstly pulling safety catch (F) to release



4.7 Five Point Harness

Each Juni Booster comes complete with a padded five-point buckle harness.

This should be attached to the Juni Chair that is intended for use with the Juni Booster.



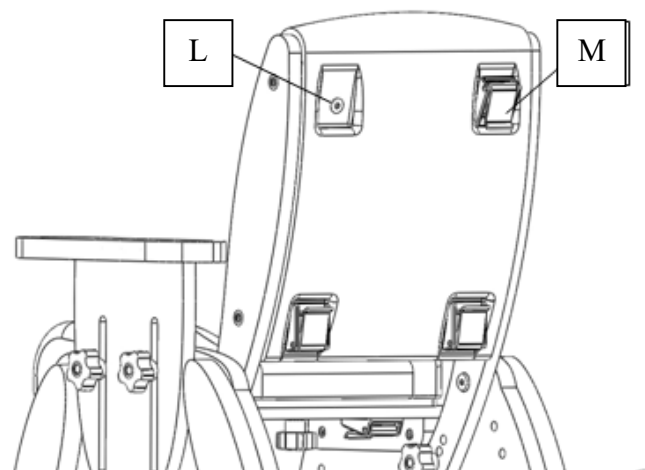
- (I) Rear straps (x4)
- (J) Central Buckle
- (K) Handwheel for central strap.

Fitting the 5 Point Harness

- The rear of the Juni seat back has 4 recesses that are designed to locate fixing cam-locks for the five-point harness
- Take a sharp implement and pierce each recess where the 'dimple' is visible on the surface (L)

Offer up a cam-lock and using an M6 screw, fasten the cam-lock to the seat

- Repeat for the 3 remaining cam-locks (M)

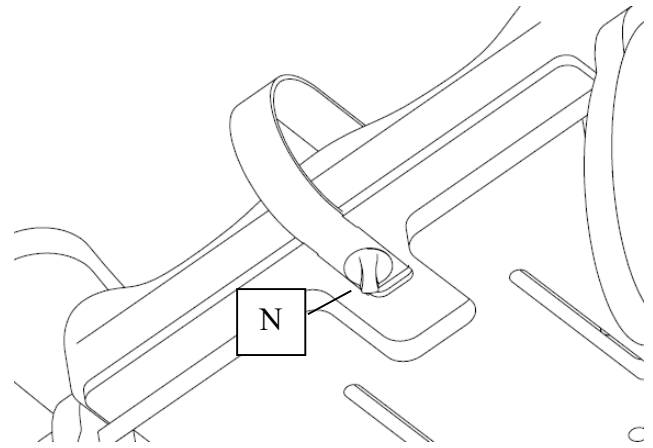


The 4 Rear straps can now be fed through the cam-locks and secured

COMPATIBLE ACCESSORIES

- The central strap is secured on the underside of the Juni seat (as shown opposite)
- Use the M6 x 20 White winged handwheel provided to secure the central strap into place (N)

Several eyelets are available in the strap – pick the most appropriate for the client.

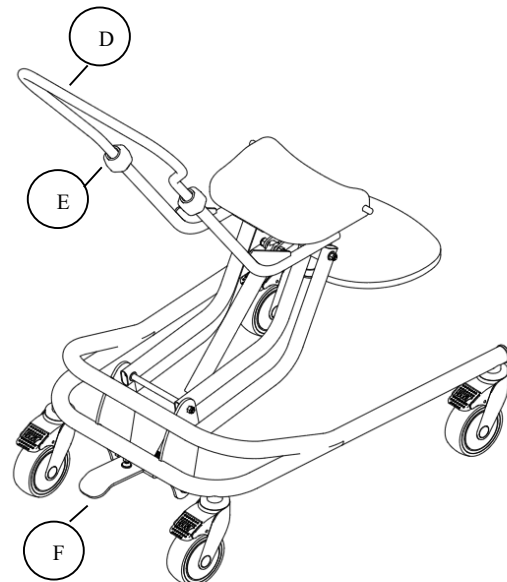
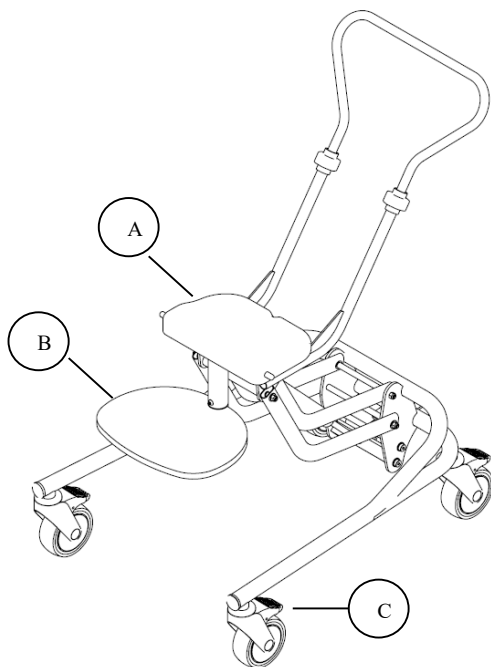


Once all straps are fitted, adjust to suit the specific needs of your client.

To use the 5-point harness;

- The central strap (secured to the underside of the Juni chair) should remain fitted at all times.
- To fasten the harness, take each shoulder strap and group together before simply clicking into the buckle.
- To release, simply press the red button on the buckle.

4.8 Juni Hi-Lo



- A. Seat interface plate
- B. Height adjustable footplate
- C. Castors, with brakes

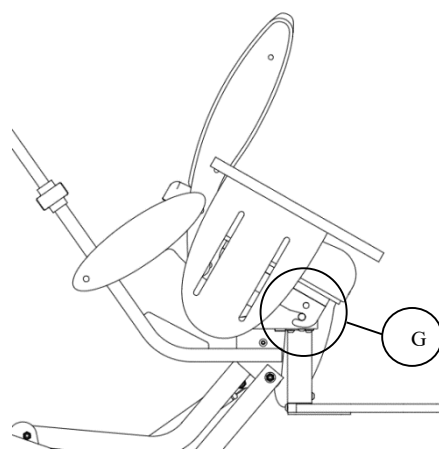
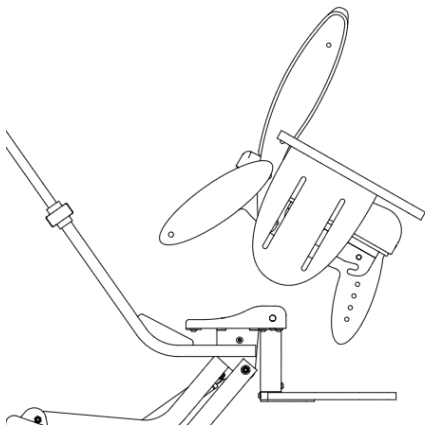
- D. Push handle
- E. Grip locks
- F. Foot pedal for height adjustment

COMPATIBLE ACCESSORIES

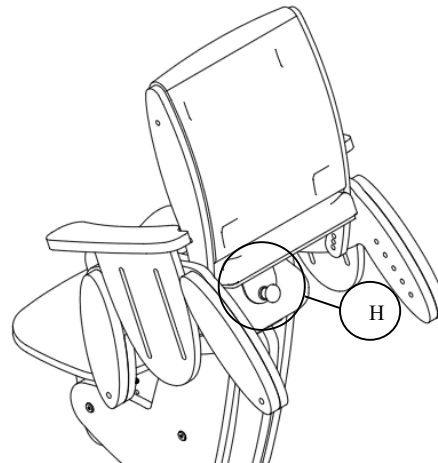
	SIZE 1		SIZE 2	
	Min	Max	Min	Max
Seat height from floor (mm)	160	570	200	570
Lower leg length to footrest (mm)	160	220	200	280
Push handle height (mm)	500	1000	500	1000
Base length and width (mm)	650 x 520		650 x 520	
User weight limit (kg)	30		40	
Overall product weight (kg)	10.5		10.5	

Attaching Juni to Juni Hi-Lo

- Offer up the Juni chair to the seat interface plate as shown below
- The chair seat batten should hook over two metal pins (G) on the seat interface plate (one each side).



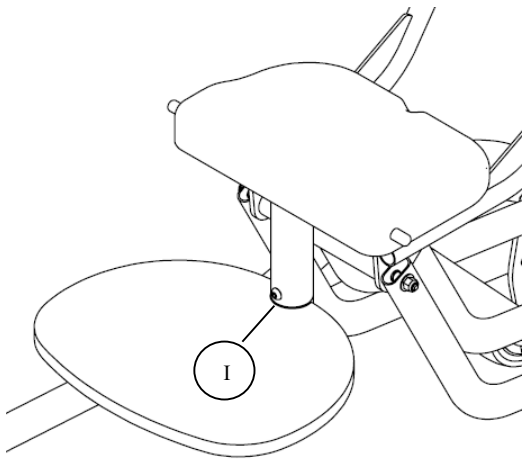
- Double check the metal pins are both engaged into the chair battens before proceeding further
- Rotate the chair to the horizontal, and ensure the safety catch (H) clicks/locks onto the Juni Hi Lo seat interface plate.
- Double check engagement by trying to remove the chair; it should **NOT** be possible to remove the chair without firstly pulling safety catch (H) to release



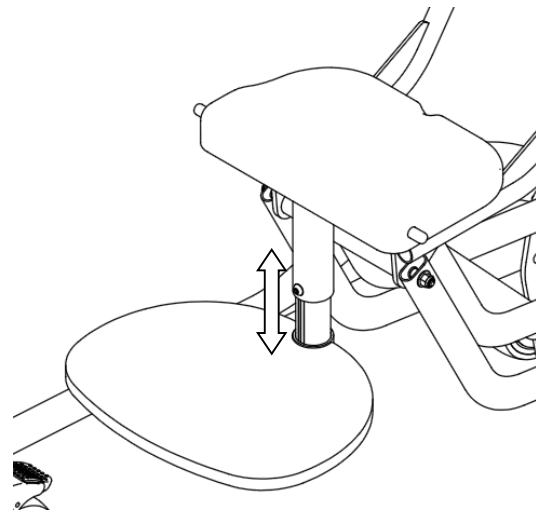
COMPATIBLE ACCESSORIES

Adjusting Footplate Height

- The footplate height can be adjusted to suit your client's needs.
- Locate and loosen the button head screw (I) using the hex driver provided.
- While loose, the footplate can be raised or lowered to the desired height setting
- Retighten the button head screw (I) when finished.
- Ensure the screw is fully tightened before use
- The footplate should **NOT** be used as a transfer step – always lower the height of the Juni Hi-Lo to floor level before transferring your client onto the seat.



Foot plate at minimum setting

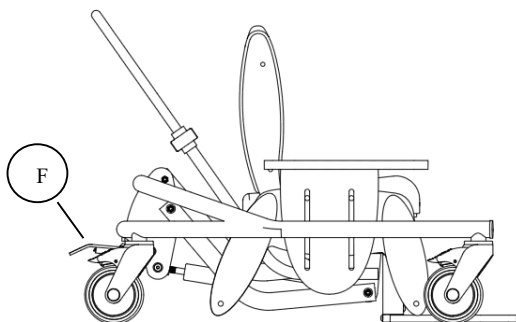


Foot plate at maximum setting

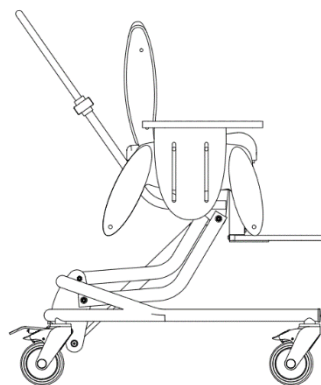
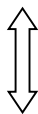
Adjusting Seat Height

- The seat height can be adjusted to suit your client's needs.
- **We advise that the seat height is adjusted with all 4 castor brakes applied.**
- Hold the push handle, then locate and depress the foot pedal (F) at the rear of the chassis.
- While the foot pedal is depressed, the seat can be raised or lowered to the desired height setting.
- Release the foot pedal to lock the seat at the height setting.
- The foot pedal can be retracted (for security/storage), by simply rotating through 90° when not in use – it is possible to do this with your tip of your shoe.

COMPATIBLE ACCESSORIES



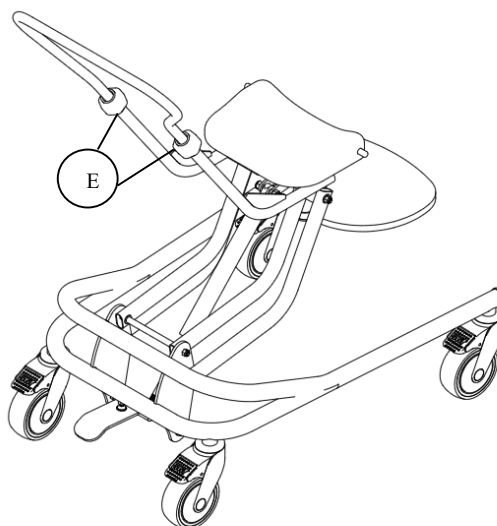
Seat at lowest setting



Seat at highest setting

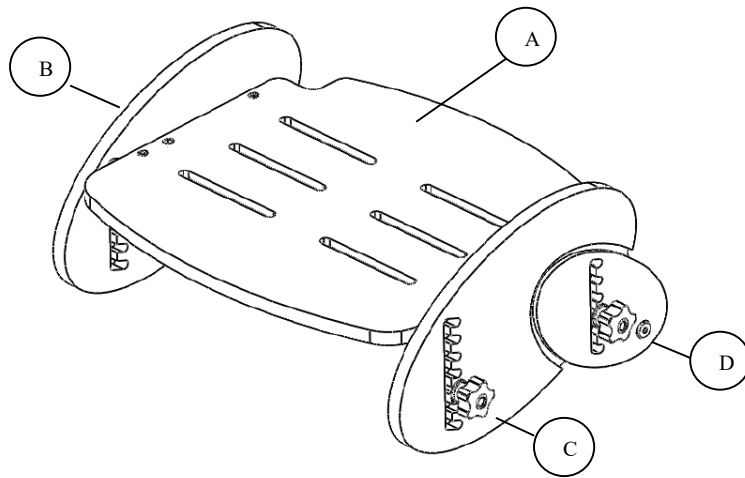
Push Handle Height

- The push handle height can be adjusted to suit the carer's requirement for comfort and use.
- To adjust, firstly locate and loosen the grip locks (E)
- Lift or lower the handle to the desired height.
- To lock into position, retighten the grip locks (E)



4.9 Adjustable Footrest

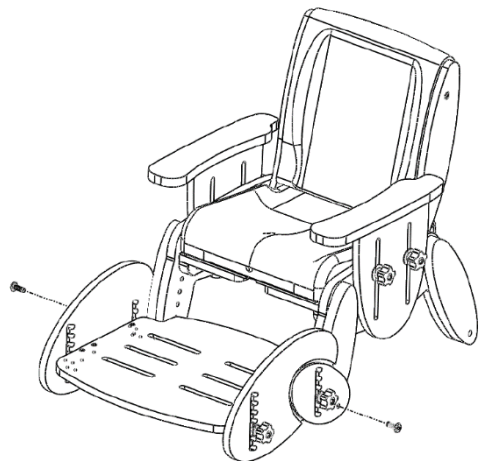
- A. Foot plate
- B. Foot rest side
- C. Hand wheels for adjusting angle & height
- D. Fixing hole



	SIZE 1	SIZE 2	SIZE 3	SIZE 4
Width (mm)	330	370	415	475
Depth (mm)	290	320	345	430
Foot plate height min (mm)	46	46	46	56
Foot plate height max (mm)	146	146	166	196
Adjustment increments (mm)	20	20	20	20

Attaching Adjustable Footrest

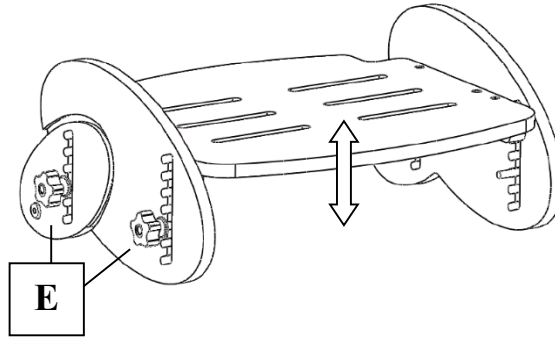
- When delivered, the product will be supplied fully assembled or flat packed. Please refer to the Quick Set up Guide for assembly instructions if this product has been ordered flat packed.
- The footrest can be left unattached from the Juni chair to act as an independent footrest, or attached to the front legs of the Juni chair.
- To attach the footrest to the front legs of the Juni chair, simply align the footrest correctly to the front of the chair and insert the two M6 x 25 socket screws as shown below. A hex key is provided.
- Ensure all screws and hand wheels are tightened before use.



COMPATIBLE ACCESSORIES

Adjusting Adjustable Footrest Footrest Height

- The footrest top plate adjusts up and down within the safety slots provided at each end.
- Loosen the four hand wheels, two found at each end of the footrest (E).
- Select the most appropriate slot on each end of the footrest to set the desired height you wish to achieve.
- Re-tighten the hand wheels before use (E)



Footrest Angle

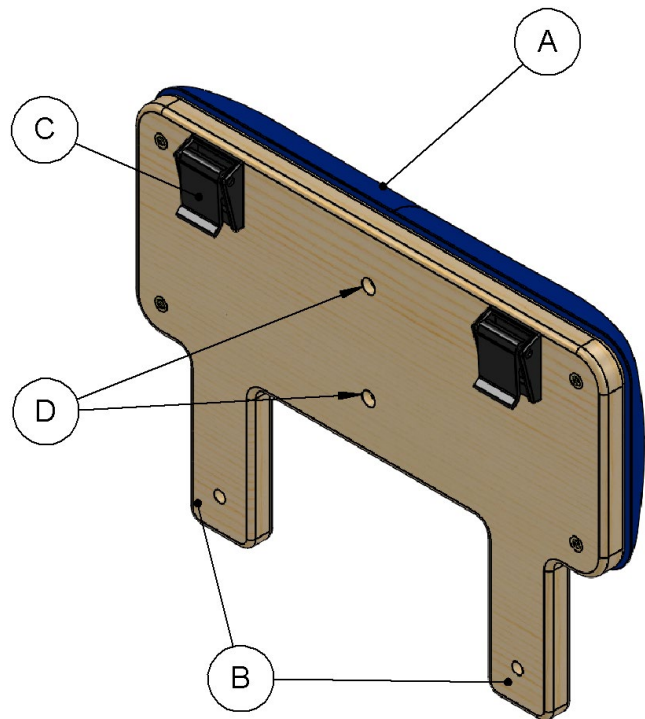
- To slope the footrest (change angle), set the front two hand wheels at a different position to the rear set of hand wheels.

Footrest Surface

- The use of non-slip Dycem on the top of the footrest will help prevent a child's feet from slipping if required.

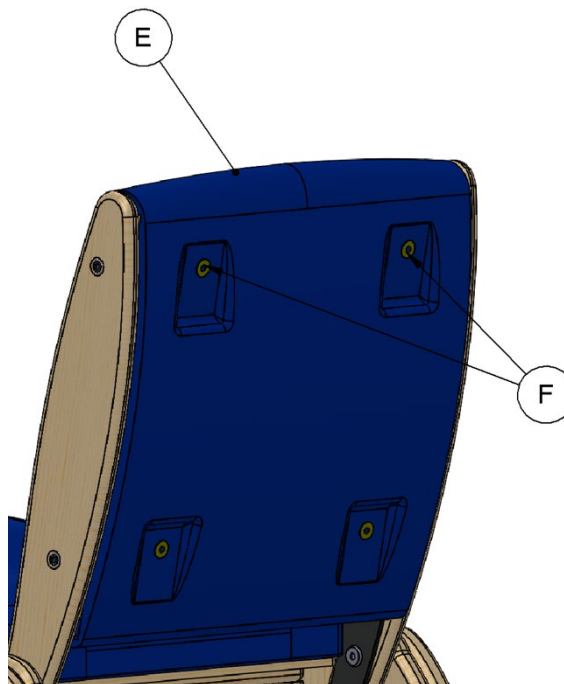
4.10 Extended Backrest

- A. Pad
- B. Fixing Arms
- C. CAM Locks
- D. Headrest Fixing Points



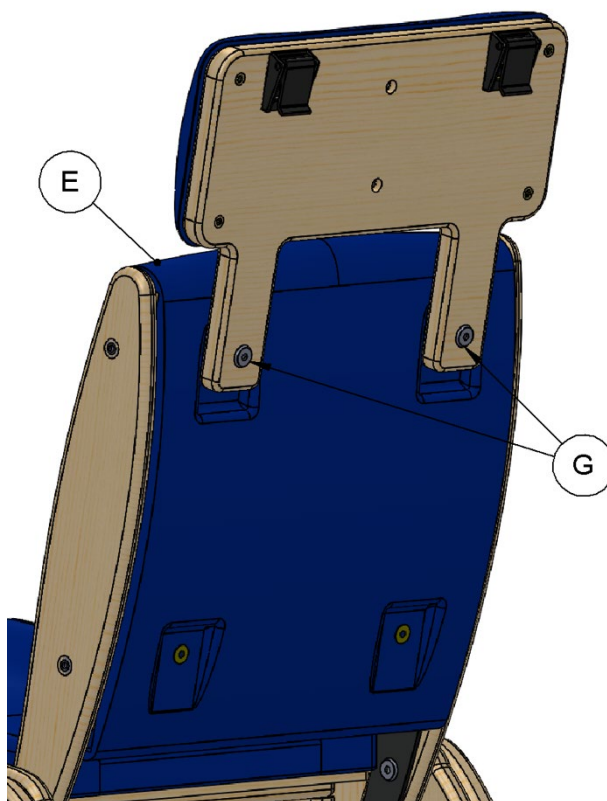
Attaching the Extended Backrest

On the back of the of the Juni chair (E) there are 4 countersunk bolts (F). Loosen and remove the top two using the hexagon key provided.



COMPATIBLE ACCESSORIES

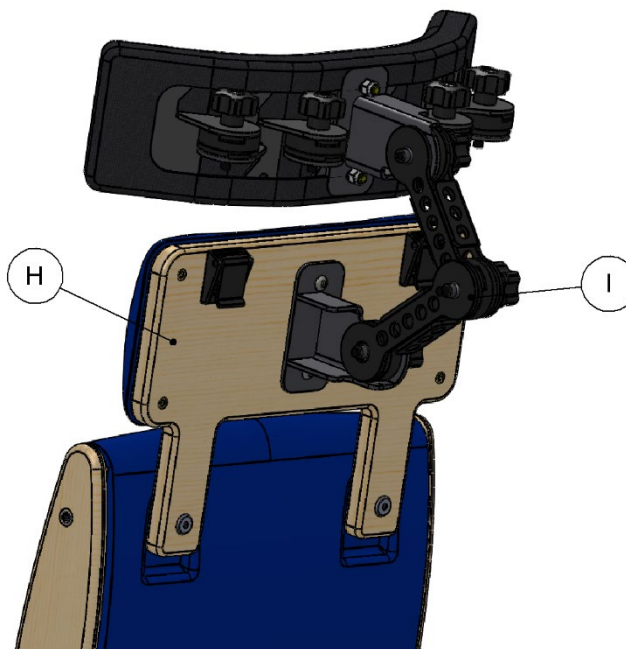
Place the holes in the two fixing arms (B) on the extended headrest over the two holes in the backrest (E) left from the previous step. Insert the 2 furniture bolts (G) that are provided through these holes and tighten with the supplied hexagon key to secure in place.



Attaching Multi-Adjustable Headrest

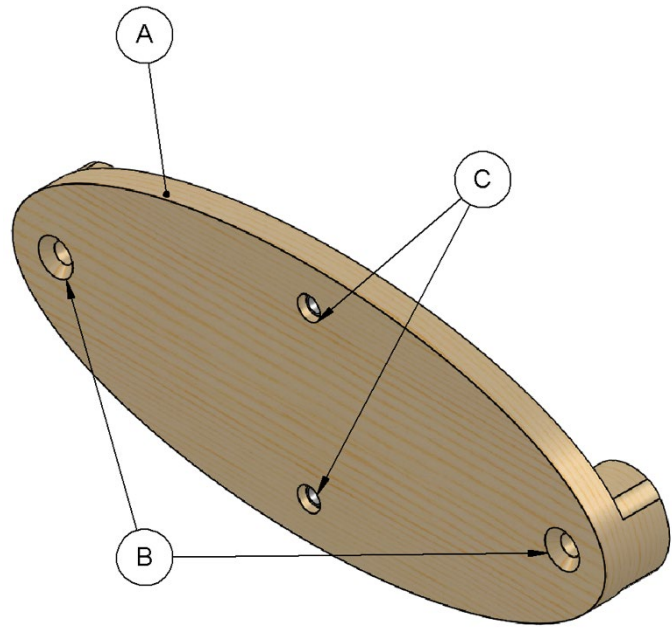
The Multi-Adjustable Headrest by Smirthwaite (I) may be attached to the extended backrest (H). Align the fixing holes in the headrest base and the backrest and secure in place using any supplied bolts.

For more information about the headrest, please refer to the 'Multi-Adjustable Headrest' IFU.



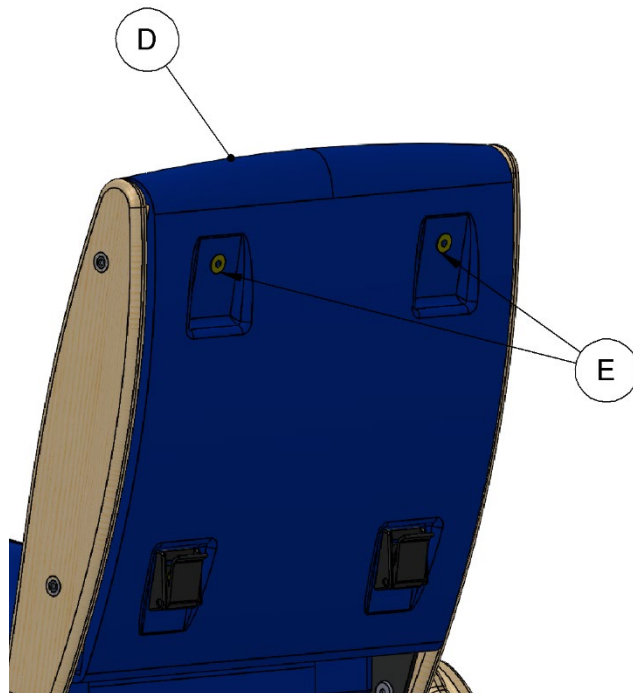
4.11 Headrest Attachment

- A. Headrest Attachment Board
- B. Fixing Points
- C. Headrest Fixing Points

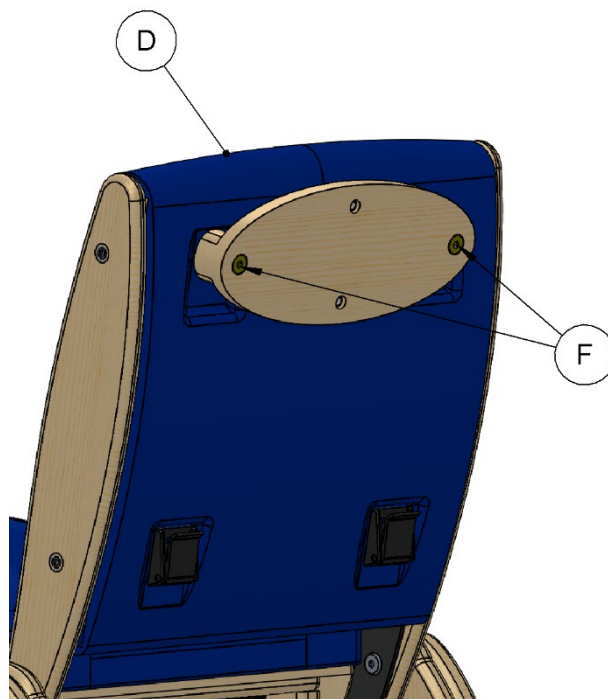


Attaching Headrest Attachment

On the back of the of the Juni chair (D) there are 4 countersunk bolts (E). Loosen and remove the top two using the hexagon key provided.



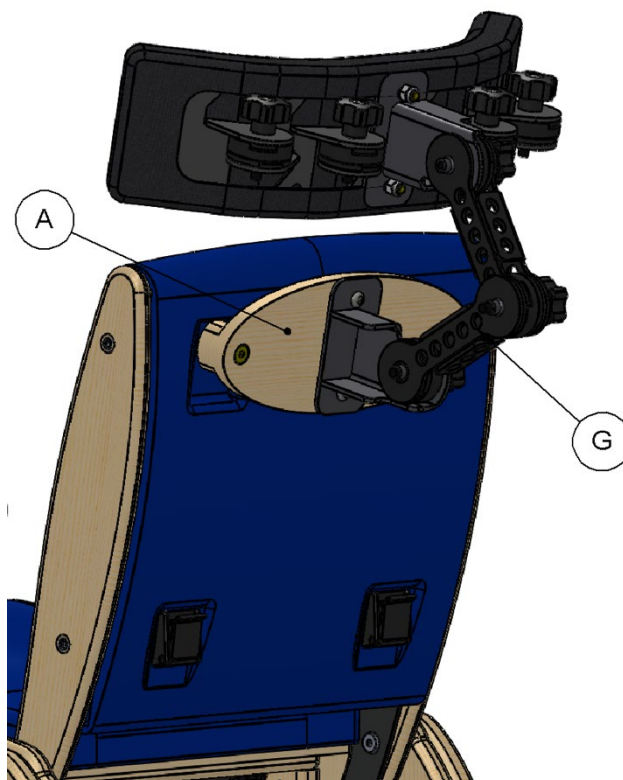
Place the fixing holes (B) on the headrest attachment over the two holes in the backrest (D) left from the previous step. Insert the 2 Countersunk bolts (F) that are provided through these holes and tighten with the supplied hexagon key to secure in place.



Attaching Multi-Adjustable Headrest

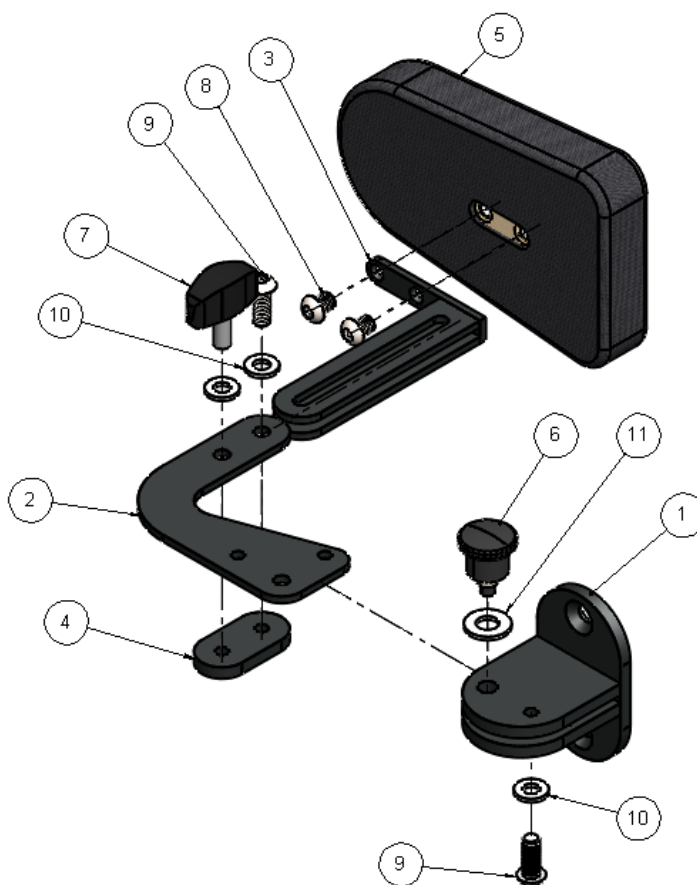
The Multi-Adjustable Headrest by Smirthwaite (G) can be attached to the headrest attachment board (A). To do this, align the fixing holes in the headrest base and the attachment board and secure in place using the supplied button head bolts.

For more information about the headrest, please refer to the 'Multi-Adjustable Headrest' IFU.

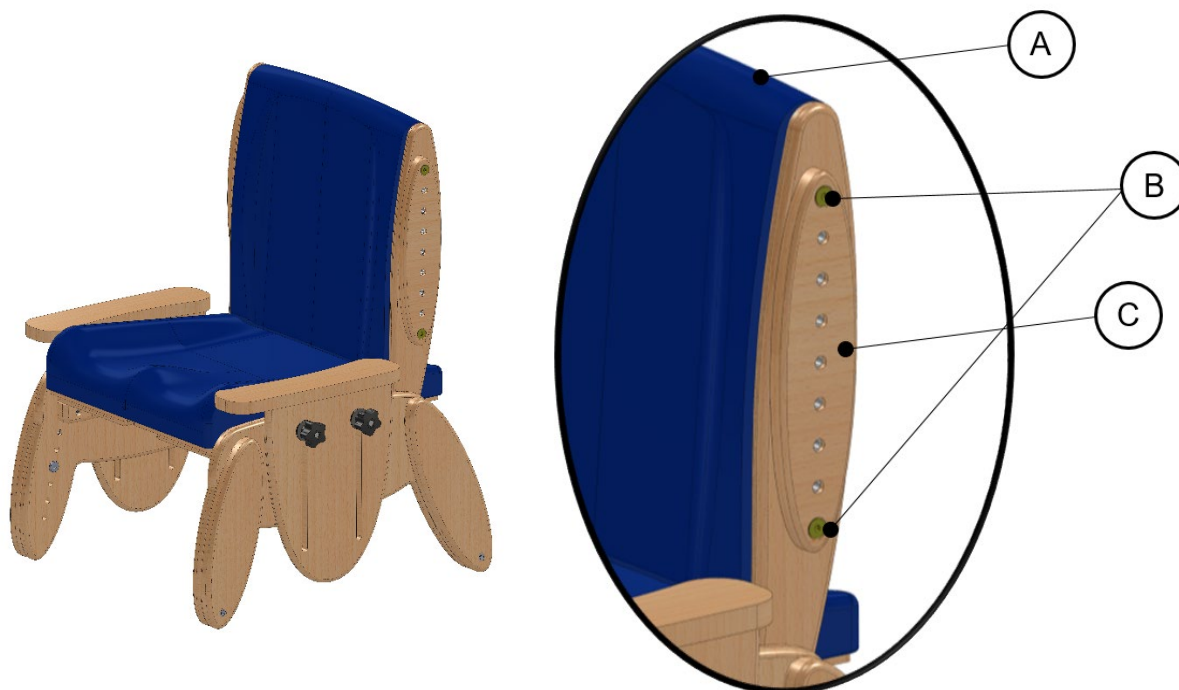


4.12 Juni Laterals

1. Bracket
2. Lateral Support Arm
3. Lateral Slide Arm
4. Lateral Clamp Plate
5. Pad
6. Plunger
7. Swing Knob- 8. M6 x 8mm Button Screw
- 9. M6 x 16mm Button Screw
- 10. M6 Washer
- 11. M8 Washer



Attaching Juni Laterals



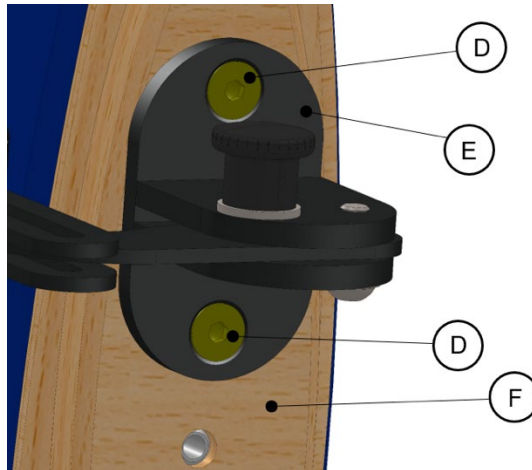
Each set of laterals will be supplied with an interface plate to attach them to the chair. These interface plates must be attached prior to the laterals. In this example a Smirthwaite Juni chair (A) has been used. To attach the interface plate;

COMPATIBLE ACCESSORIES

- Remove the 2 bolts (B) at the side of the chair.
- Place the interface plate (C) in position.
- Secure using the bolts (B) (*Longer bolts will be supplied with the laterals if required*).
- Repeat for the other side of the chair.

To attach the laterals;

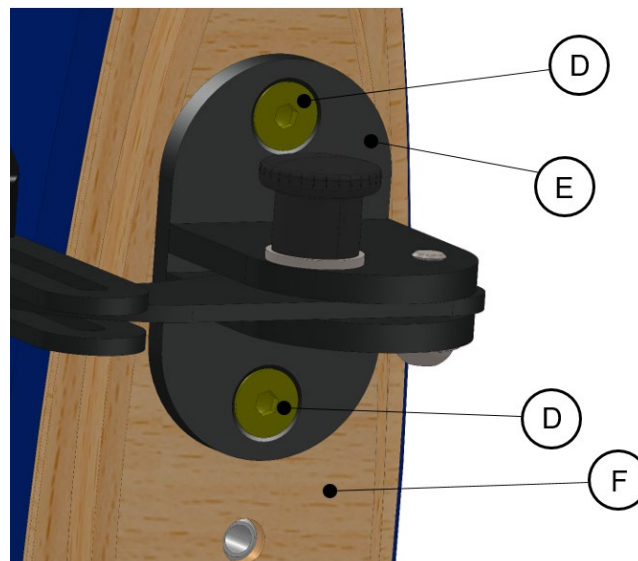
- Align the holes on bracket (E) with the Interface Plate (F), at desired height.
- Secure in place using 2 of the countersink bolts (D) provided.



To alter the height of the laterals;

- Loosen the 2 countersink bolts (D). (*The lateral can now be moved up or down to the desired position*)
- Secure using the same method as described in the previous section (5.1.2).

Each lateral is independent from each other so can be positioned at different heights, if this would be beneficial to the user.

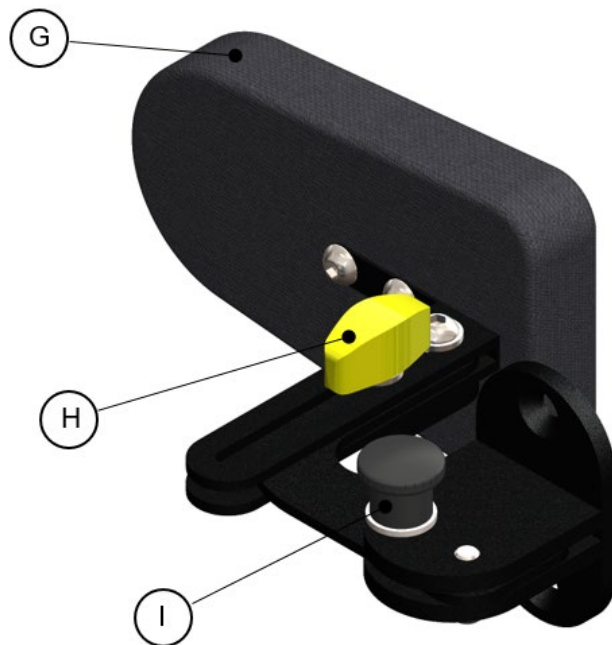


COMPATIBLE ACCESSORIES

To change the length of the lateral;

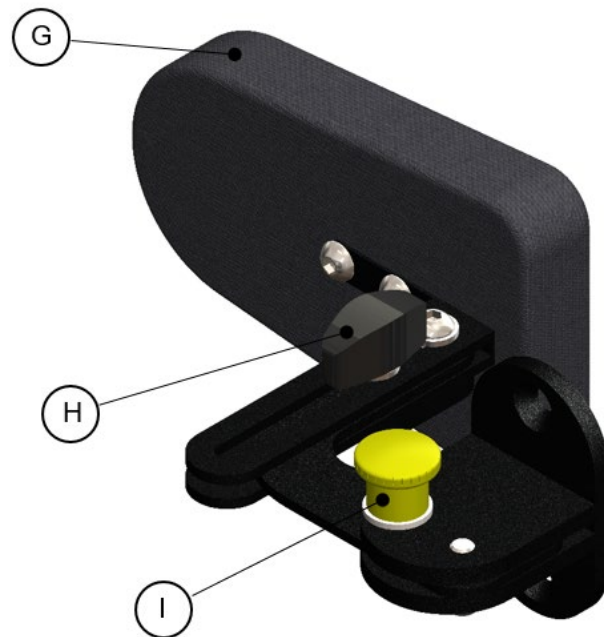
- Loosen the swing knob (H).
- Pull/push the lateral pad (G) to the desired position.
- Tighten the swing knob (H) to secure into position.

As each lateral is independent, the laterals can be set to different lengths as required.



To make the laterals swing away to the side of the chair;

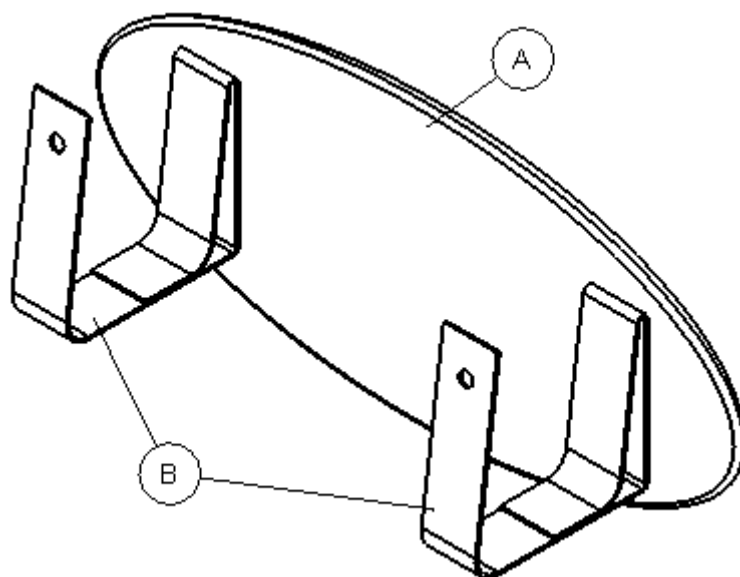
- Pull the Plunger Pin (I) up to release.
- Swing the lateral towards the outside of the chair.
- Release the pin and move the lateral until the pin clicks into the locked position.



The lateral can be fixed with the pad facing the middle of the chair or at 90° to the chair.

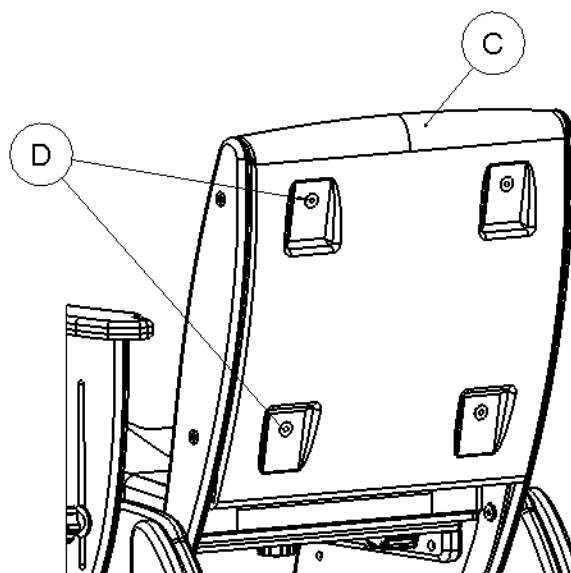
4.13 Sacral Pad

- A. Pad
- B. Straps



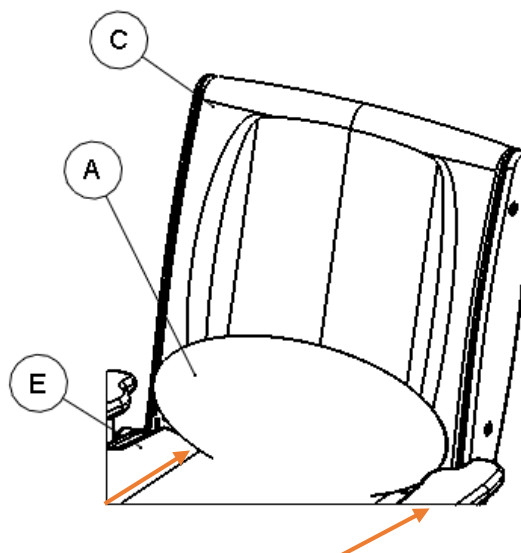
Attaching Sacral Pad

On the back of the of the Juni chair (C) there are 4 countersunk bolts (D). Loosen and remove the bottom two.



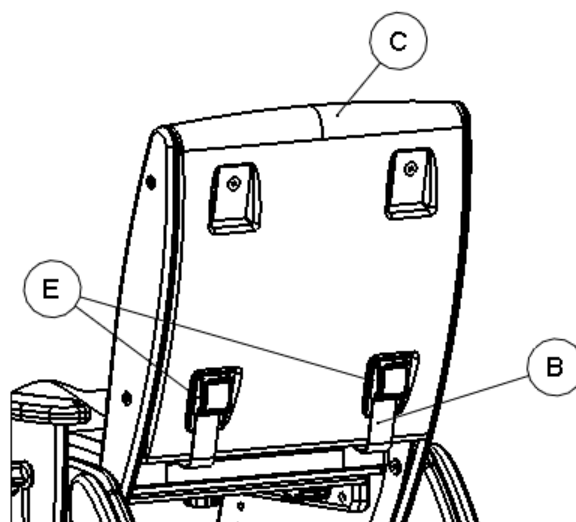
COMPATIBLE ACCESSORIES

The front of the sacral pad (A) should face the front of the chair. Thread the straps (B) through the gaps between the back (C) and the base (E) (marked by the red arrows across).



With the straps (B) threaded through to the back of the chair, place the holes over the corresponding holes left from section '5.1 Preparing the Chair for the Juni Sacral Pad'. Place the CAM locks (E) over the straps (B) ensuring the opening of the locks are facing down.

Insert the supplied countersink bolts through the base of the CAM lock, through the straps and into the back of the chair. Tighten to secure.



5.0 TECHNICAL SPECIFICATION

5.1 Chair Dimensions

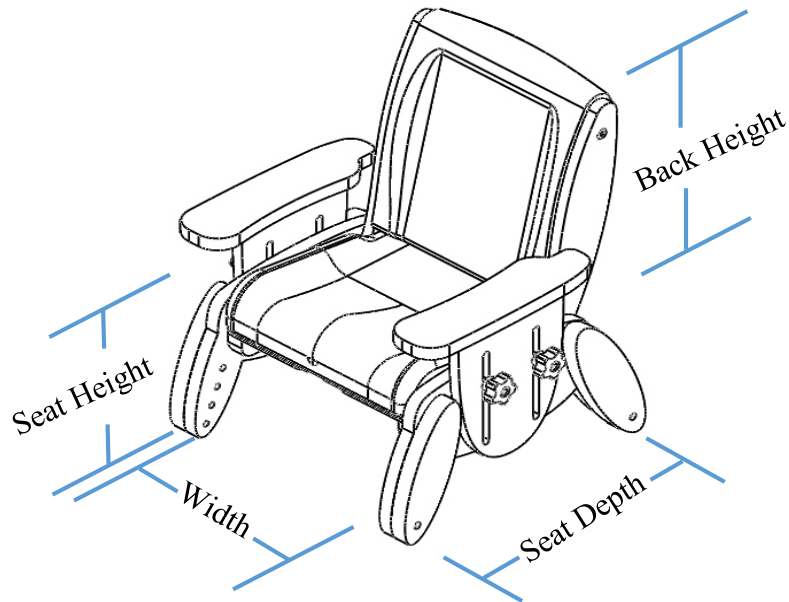


Figure 14

The diagram above (fig 14) shows the relevant dimensional sizes of the chair. Below (Table 4) is a table containing the dimensions of each size. All dimensions are in mm unless otherwise specified.

Size	Seat Height* (mm)	Width (mm)	Seat Depth (mm)	Back Height (mm)	Back Angle (°)	Max User Weight (Kg)	Product Weight (Kg)
1	160-220	240	180-240	260	95/100/105	30	4
2	200-280	280	220-300	290	95/100/105	40	6
3	240-340	325	260-360	325	95/100/105	50	8
4	300-400	365	320-420	400	95/100/105	60	10

Table 4

	Size 1	Size 2	Size 3	Size 4
Red	16011	16012	16013	16014
Lime	16021	16022	16023	16024
Blue	16031	16032	16033	16034
Black	16041	16042	16043	16044

The Juni chair comes complete with a buckle pelvic strap.

The chair is available with fixed arms or adjustable arms. You can also choose from a contoured or flat seat.

*Height of chair with contoured seat. The height with a flat seat is 25mm less.

5.2 Environmental - Storage and Operating Conditions



The chair is intended for internal use within normal environmental conditions.

It is not intended to be used in environments where there are rapid changes in the environmental temperature and humidity during intended use.

The Juni chair suffers little from any effects of lint, dust and light.

- Lint – Due to there being no mechanical or electrical mechanisms on the Juni chair, lint would not affect the chair working.
- Dust – Due to there being no mechanical or electrical mechanisms on the Juni chair, dust would not affect the chair working.
- Light – The Specification of the chair dictates that normal use would occur during ambient luminance 50 – 500 lux. Additionally, as the chair is designed for indoor use only, if required the user may wish to switch on room lighting.

5.2.1 Normal operating conditions

+5°C to +40°C (41°F to 104°F) at a relative humidity between 15% to 90% RH, non-condensing but not requiring a water vapour pressure greater than 50hPa and atmospheric pressure between 700hPa to 1060hPa

5.2.2 Shipping and storage conditions

-25°C to +5°C (-13°F to 41°F) with any humidity level
 +5°C to +35°C (41°F to 95°F) at a relative humidity up to 90%,
 +35°C to 70°C non-condensing at a water vapour pressure up to 50hPa

During all transportation it is recommended that the chair remains in its original packaging.

It is recommended that the chair is stored in a cool, dry place out of direct sunlight. If cleaning is required after storage, please see section 7.6 'Cleaning' of the user manual for instructions.

Shipping and storage conditions are also contained on Juni Box Label:

SN	<input type="text"/>		<input type="text"/>	 smirthwaite a prism healthcare company
REF	<input type="text"/>	MD - Medical Device		
Product:	<input type="text"/>	Max Weight:	<input type="text"/>	
		Built By:	<input type="text"/>	
	Smirthwaite Ltd, Heathfield, Newton Abbot TQ12 6TL			
EC REP	European Healthcare & Device Solutions (Ireland) Ltd, Stratton House, Bishopstown Road, Cork, Ireland.			
Manufactured in the UK Removal of this label will invalidate the warranty				

5.3 Standards Applied

The standards that have been applied to the device are as follows:

- BS EN ISO 12182:2012 (Assistive products for persons with disability. General requirements and test methods).
- IEC 62366:2015 (Application of usability engineering to medical devices).
- BS EN ISO 15233-1 :2016 (Medical devices — Symbols to be used with medical device).

5.4 Disposal

Please observe the local laws on recycling and respect the current laws for disposal within the community the device is being used within. If there is any uncertainty, contact your local authorities to determine the proper method of disposal of potentially bio-hazardous parts and accessories.

6.0 GENERAL INSPECTION AND MAINTENANCE



No maintenance is to be carried out on the chair while in use to reduce the risk of injury.

6.1 Daily Checks - To Be Completed By User

Prior to each use the Juni chair must be inspected visually.



Should any of these items fail the inspection, DO NOT use the chair.

Contact your local authorized dealer for service – contact details are on the last page of this manual.

Visually check for the following:

- Check the tray (if supplied) to ensure no parts are loose or damaged.
- Check all upholstery for signs of wear and tear.
- Check that the hand wheels tighten correctly, and are not cross-threaded or damaged.
- Check that the leg screws are present and are tightened correctly.
- Check all straps for fraying, and that buckles are not missing/damaged.
- Check the strap is securely fastened to the poppers on the underside of the chair.

6.2 Service Interval

The Juni chair should be serviced every 3 years. Servicing must only be undertaken by a Smirthwaite Ltd. service engineer, or by a Smirthwaite Ltd. trained representative.

6.3 Nominal Service Life

Your product has a nominal service life of 12 years, during which full post-sales support will be available with regard to spares and servicing.

Product service life has been determined based upon the design complexity of product, and the anticipated exposure to normal use.

Good practice dictates all Smirthwaite Ltd. products have been designed and manufactured to high levels of safety and quality, and will meet requirements of normal use when maintained in line with our servicing recommendations.



If the product has been out of use for an extended period of time (6 months or more) it should always be serviced prior to being reissued. If the product has been subjected to 'heavy' or 'constant' use, the service should be reduced to half the recommended

period.

Constant and/or heavy use is considered to be:

- Daily use above 7 hours' duration.
- Weekly use above 5 days' duration.
- Monthly use above 10 months per year.

GENERAL INSPECTION AND MAINTENANCE

- Use by a client who is at 90% to 100% of the maximum weight limit of the product. The maximum weight limit must NEVER be exceeded.
- Use by a client who is extremely active, either voluntarily or involuntarily.

6.4 Extending Nominal Service Life

At Smirthwaite Ltd. we are proud to produce products that have a reputation for quality and durability.

We believe our products have the potential to provide benefits to our clients beyond the nominal service life documented above.

We will continue to provide full support beyond the nominal service life provided the following conditions are met:

1. A full service schedule has been maintained.
2. A full service and inspection is undertaken at the end of the nominal service life period.
3. The product is subsequently serviced annually (or biannually if under 'heavy/constant' use conditions).
4. Smirthwaite Ltd. reserve the right to limit support where parts/components are no longer available.

6.5 User Serviceable Parts

Please contact Smirthwaite Ltd. or your local dealer for information to assist service requirements on the Juni – e.g. to ascertain the necessary information for replacement parts and components. Contact details are shown on the last page of this manual

6.6 Documentation/ Records

It is the responsibility of the current equipment owner to ensure the User Manual (As well as any further manuals for accessories fitted to the equipment) are handed over to the new owner at the time of exchange/sale.

It is the responsibility of the current equipment owner to ensure the service and inspection record form is kept up to date.

7.0 CLEANING

Please follow the cleaning guidelines below; noting the frequency is appropriate with usage.



It is recommended to clean the Juni chair and accessories before use by a different person, reducing the risk of cross-contamination.

7.1.1 General cleaning

The exterior of the Juni chair can be cleaned using a damp soapy cloth for general cleaning duties. Please ensure the cloth is damp and not wet. Ensure the exterior of the chair is dry after cleaning. Dry using a clean dry cloth.

- Upholstery - damp cloth and mild detergent.
- Wooden Parts - damp cloth and mild detergent.

Key cleaning points include;

- Stubborn marks on the woodwork should be cleaned by using a soft brush.
- Do not soak or immerse the chair in water.
- The pelvic strap can be cleaned with a damp cloth. In cases of extreme soiling it can be machined washed at low temperature with mild detergent but must be drip dried.
- Store the chair in a cool dry place out of direct sunlight.



DO NOT use bleach, solvents, abrasives, synthetic detergents, wax polishes, antibacterial sprays or wipes.

For further information, please refer to MHRA or your NHS cleaning guidelines.

8.0 FINAL INSPECTION

When the service is complete:

- Remove any waste created as part of the service from the site.
- Confirm with the operator if the chair is safe to use and that it has been left in a working state. Isolate the chair if it is not safe to operate.
- Complete all documentation – see Heathfield User Manual for more details



Incorrect use may result in personal injury or damage to objects.

9.0 SERVICE DOCUMENTATION

9.1 Documentation/ Records

It is the responsibility of the current equipment owner to ensure the Service Manual (As well as any further manuals for accessories fitted to the equipment) are handed over to the new owner at the time of exchange/sale.

It is the responsibility of the current equipment owner to ensure the service and inspection record form is kept up to date.

10.0 WARRANTY

Smirthwaite Ltd warrants the products detailed on your order to be free from defects in materials and workmanship for a period of 2 years from date of delivery. If a fault develops during the period, please call Customer Services by email or telephone 01626 835552 who will advise you on the best course of action. Possible action may be for us to arrange to send out one of our Service Engineers, or have the goods returned to us. Should a repair not be possible within the guarantee period we will replace the product for new or nearest equivalent product. In the unlikely event that we cannot repair or exchange we will refund in full.

This warranty is in addition to your legal rights. Goods will only be collected from the original delivery address.

A charge may be made where the goods cannot be repaired under the terms of the warranty. You will be advised before this is made.

T: +44 (0)1626 835552

E: info@smirthwaite.co.uk

11.0 CONTINUOUS IMPROVEMENT

Smirthwaite Ltd are committed to continuous improvement to their product range. Should you have any suggestions or comments please send them to our product design department at:

info@smirthwaite.co.uk

Smirthwaite Ltd reserve the right to change the specification or material without prior notice.

For catalogues, help and further information on our products please contact us at:

Smirthwaite Ltd 16 Wentworth Road, Heathfield, Devon.TQ12 6TL

T: +44 (0)1626 835552

E: info@smirthwaite.co.uk

W: www.smirthwaite.co.uk



Smirthwaite Ltd, 16 Wentworth Road • Heathfield • Newton Abbot • Devon • TQ12 6TL

Part Number: 999-1-04 / Rev: 2 / Date: Sep 21