

spex

Shaping Better Lives



Quick-Release
Lateral Support

Lateral support
when you need it



The latest design in Spex lateral support hardware

The latest design in Spex lateral support hardware features a Quick-Release mechanism, ideal for users who wish to easily remove their lateral support for transfers and other situations where laterals temporarily require removal from the wheelchair.

Simple lever mechanism can be released by either user or carer.

Available in a range of depth sizes to fit varying back support upholstery thicknesses, the Quick-Release hardware can be fitted to any of the Spex lateral trunk support pads. A locking pin is provided for use in transport and to prevent unintentional release of the support.



Axial Quick-Release



Axial Swing-Away
Quick-Release

Easy release mechanism

Simple lever mechanism can be released by either user or carer. Quick-Release Lateral Supports are available in left-handed and right-handed configurations, so the lever can be positioned in the best spot for releasing.





Wheelchair Back Mount



Wheelchair Cane Mount

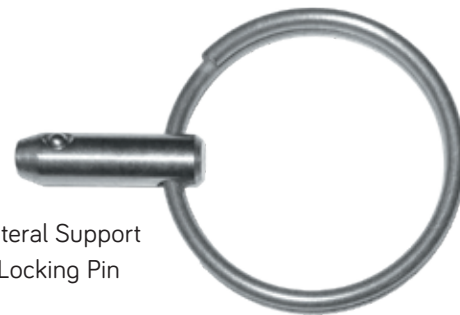
Mounts to either the wheelchair back or cane

- **Back mounted brackets:** suitable for installing the lateral directly to Spex back supports and an added width adjustment capability.
- **Cane mounted brackets:** option to mount the lateral off the wheelchair canes gives greater flexibility with installation and allows a greater variety of mounting positions. Although the cane mount can be angled slightly, it is dependent on the back support and wheelchair size.



Locking pin provided for fixing the mechanism

Quick-Release Lateral Supports are provided with a detent pin so that the mechanism can be locked in a fixed position. This is suitable for using in transport and to prevent the unintentional release of the support.



Lateral Support
Locking Pin

“The Quick-Release Lateral helps me with my game because it helps me be able to do the movement and lean in, to be able to swing my arm. It’s easy to just flick the button and remove it for more freedom.”

– Lilian, Boccia Champion



Hear Lilian's
Story



Axial, Fixed Angle

Suitable for all back support models and includes extended bars to fit to a variety of back support foam thicknesses.

Extended Z Bars

The longer bars offer an extra 35mm extension suitable mounting on thicker back supports. The Extended Z Bars are standard with the Axial Fixed Angle Laterals but not with the Axial Swing-Away Laterals, as these are 40mm longer in length.



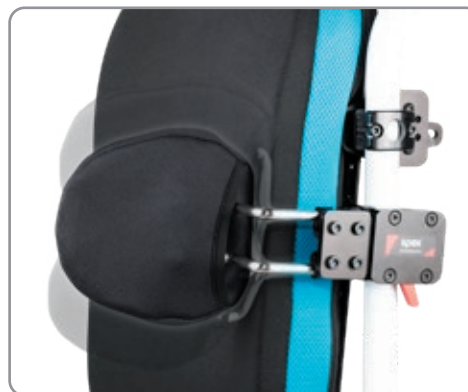
Axial, Fixed Angle with Back Mount



Axial, Fixed Angle



Axial, Fixed Angle with Cane Mount



Renowned Axial Technology

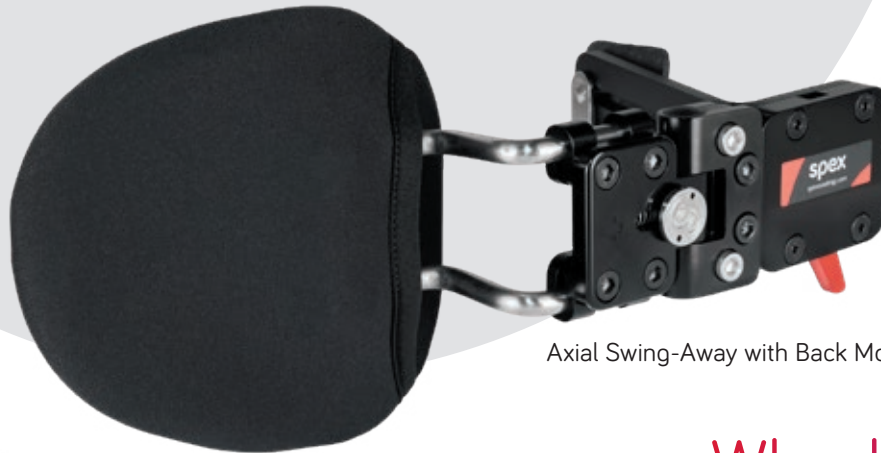
Featuring the popular Axial technology that is known and loved from Spex, this allows you to achieve the correct support structure through a unique mechanically rotational system where the lateral pad can be placed in the optimum position for correct alignment of the user's trunk.

Axial Swing-Away

Also includes angle adjustment as well as swing away function. Suitable for fitting to Spex Classic, Comfi and SuperShape Back Supports.



Axial Swing-Away



Axial Swing-Away with Back Mount



Axial Swing-Away with Cane Mount

Wheelchair transfers made easy

Featuring a clever swing-away feature, users have unimpeded access to their chair which aids transfers in and out.

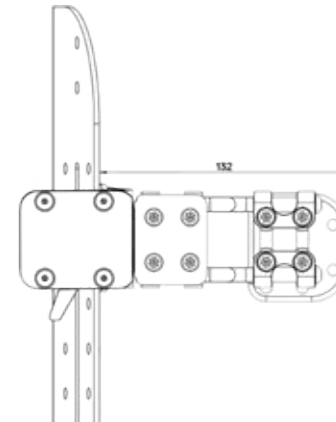




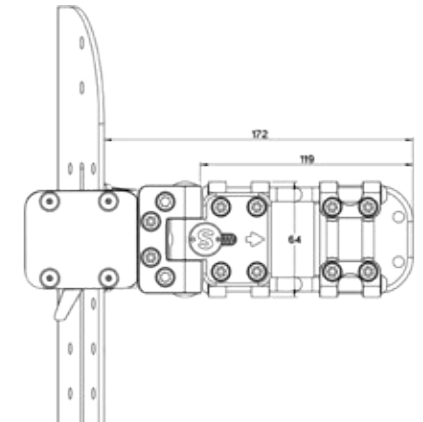
Lateral Support Specifications

Quick-Release Lateral Dimensions

Demonstrating the difference in depth between the Axial Fixed Angle and Axial Swing-Away options.



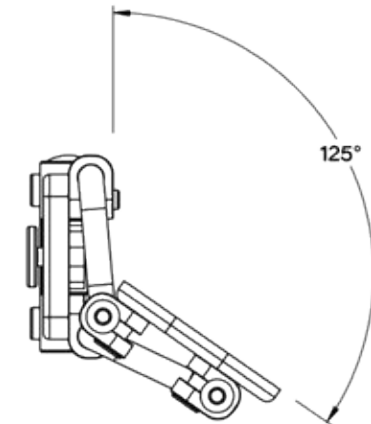
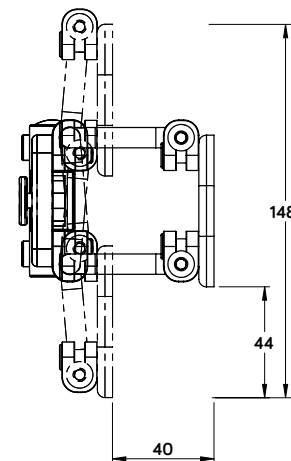
Axial Fixed Angle (Back Mount)



Axial Swing-Away (Back Mount)

Axial Lateral Adjustments

Range of adjustment available within the Axial lateral hardware.



Specifications

	BACK MOUNT	CANE MOUNT	BRACKET WEIGHT
AXIAL FIXED ANGLE	1266-2601-100-X	1266-2601-200-X	0.25kg to 0.5kg
AXIAL SWING-AWAY	1266-2621-100-X	1266-2621-200-X	

For left-hand (L) and right-hand (R) Quick-Release Lateral codes replace X with L or R.

Lateral pad options & accessory



Broad Pad

Long trunk support: Effective Pressure Reduction.

SIZE	HEIGHT	DEPTH	CODE
SIZE 1	105 mm	130 mm	1266-3031-400
SIZE 2	125 mm	140 mm	1266-3032-400
SIZE 3	140 mm	150 mm	1266-3033-400
SIZE 4	160 mm	155 mm	1266-3034-400
SIZE 5	195 mm	165 mm	1266-3035-400
SIZE 6	230 mm	175 mm	1266-3036-400



Narrow Straight pad

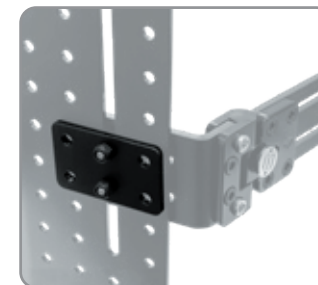
Freedom of movement: Move forwards and back for functional activities and transfers.

SIZE	HEIGHT	DEPTH	CODE
SIZE 0	85mm	115mm	1266-3010-400
SIZE 1	95mm	145mm	1266-3011-400
SIZE 2	95mm	180mm	1266-3012-400
SIZE 3	115mm	210mm	1266-3013-400
SIZE 4	115mm	240mm	1266-3014-400

Reinforcement Lateral Plate

Recommended for clients with forceful side leaning or who weigh over 100kg

Code: 1266-2450-100



Narrow Curved pad

Anterior support: For increased comfort and spinal extension.

SIZE	HEIGHT	DEPTH	CODE
SIZE 1	95mm	145mm	1266-3021-400
SIZE 2	95mm	180mm	1266-3022-400
SIZE 3	115mm	210mm	1266-3023-400
SIZE 4	115mm	240mm	1266-3024-400



spex

Manufactured by Spex Ltd

32 Detroit Drive
Rolleston 7675
New Zealand

+64 3 307 9790

solutions@spexseating.com

www.spexseating.com

DISTRIBUTED BY: